



US00D639080S

(12) **United States Design Patent**
van der Lande

(10) **Patent No.:** **US D639,080 S**

(45) **Date of Patent:** **** Jun. 7, 2011**

(54) **FOLDABLE STOOL**

(75) Inventor: **Jan van der Lande**, New York, NY (US)

(73) Assignee: **Kikkerland Design, Inc.**, New York, NY (US)

(**) Term: **14 Years**

(21) Appl. No.: **29/383,225**

(22) Filed: **Jan. 13, 2011**

(51) **LOC (9) Cl.** **06-01**

(52) **U.S. Cl.** **D6/353**

(58) **Field of Classification Search** D6/340,
D6/349-354, 355, 491, 492, 500-502; 297/16.1,
297/16.2, 175, 181, 186, 187, 195.1, 215.16,
297/440.12, 461, 462, DIG. 2
See application file for complete search history.

(56) **References Cited**

U.S. PATENT DOCUMENTS

1,811,674	A *	6/1931	Longley	108/171
4,383,488	A	5/1983	Macho et al.	
4,630,861	A	12/1986	Henschel	
D351,476	S *	10/1994	Grosfillex	D25/63
D382,113	S *	8/1997	DuRapau	D3/274
D460,566	S	7/2002	Henschel et al.	
D554,875	S *	11/2007	Emert	D6/353
D558,991	S *	1/2008	Vardy	D6/353
D566,856	S	4/2008	Eveleth	
D566,977	S *	4/2008	Emge	D6/350
D579,680	S *	11/2008	Emert	D6/353
D609,927	S *	2/2010	Floer	D6/350

OTHER PUBLICATIONS

Kikkerland Design, Inc. 2010 website catalog.

Kikkerland Design, Inc. 2010 website catalog, stool in folded position.

Kikkerland Design, Inc. 2010 website catalog, stool in unfolded position.

* cited by examiner

Primary Examiner — Sandra Snapp

(74) *Attorney, Agent, or Firm* — Cascio & Zervas

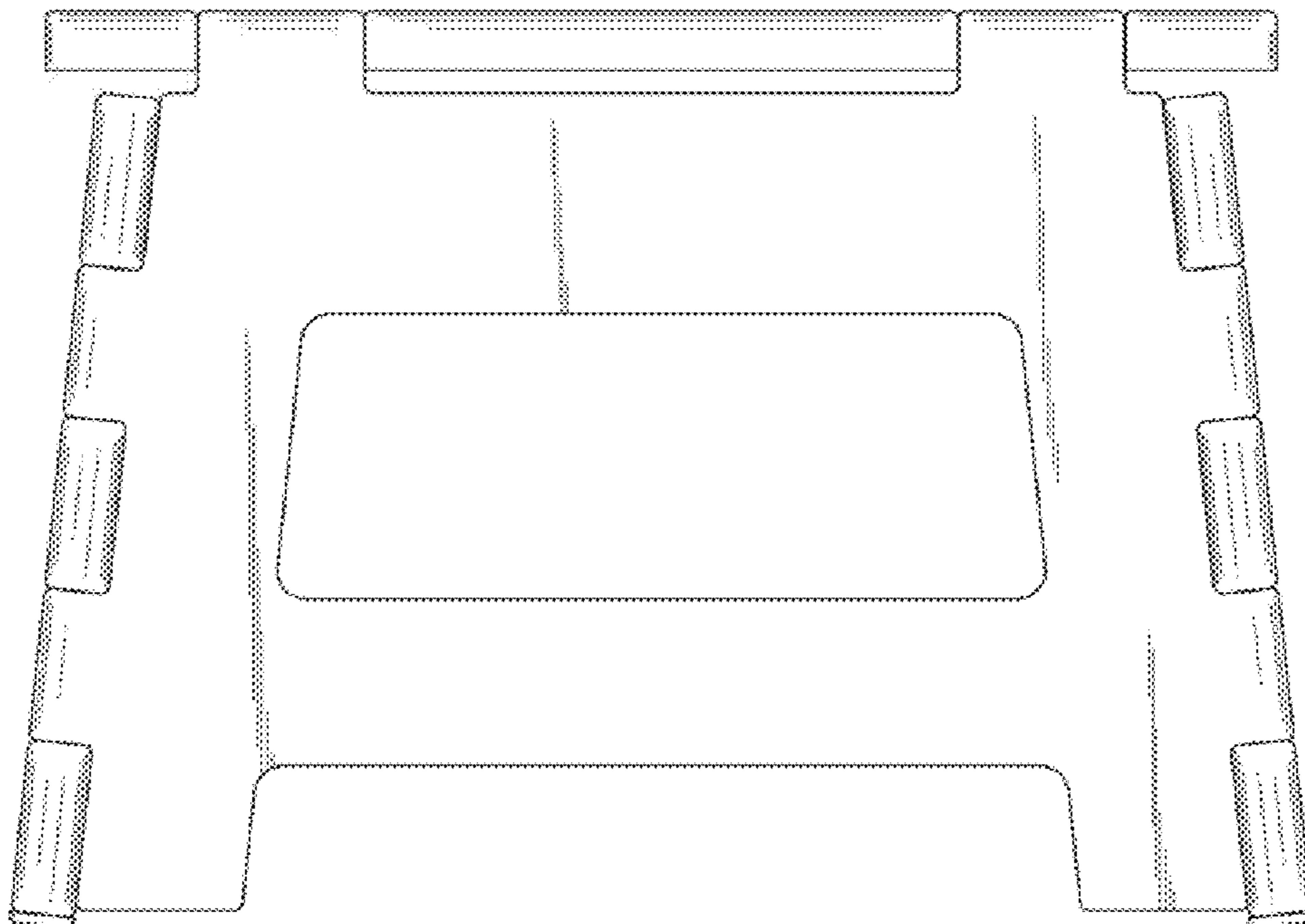
(57) **CLAIM**

The ornamental design for a foldable stool, as shown and described.

DESCRIPTION

FIG. 1 is a front elevational view of the foldable stool in an open position showing my design;
FIG. 2 is a rear elevational view in an open position;
FIG. 3 is a right side elevational view an open position;
FIG. 4 is a left side elevational view an open position;
FIG. 5 is a top plan view in an open position;
FIG. 6 is a bottom plan view in an open position;
FIG. 7 is a front perspective view in an open position;
FIG. 8 is a top plan view in a folded position;
FIG. 9 is a bottom plan view in a folded position;
FIG. 10 is a left side elevational view in a folded position;
FIG. 11 is a right side elevational view in a folded position;
FIG. 12 is a front elevational view in a folded position;
FIG. 13 is a rear elevational view in a folded position;
FIG. 14 is a front perspective view in a folded position;
FIG. 15 is a bottom plan view of a second embodiment of the foldable stool in an open position; and,
FIG. 16 is a perspective view of the second embodiment in an open position.

1 Claim, 7 Drawing Sheets



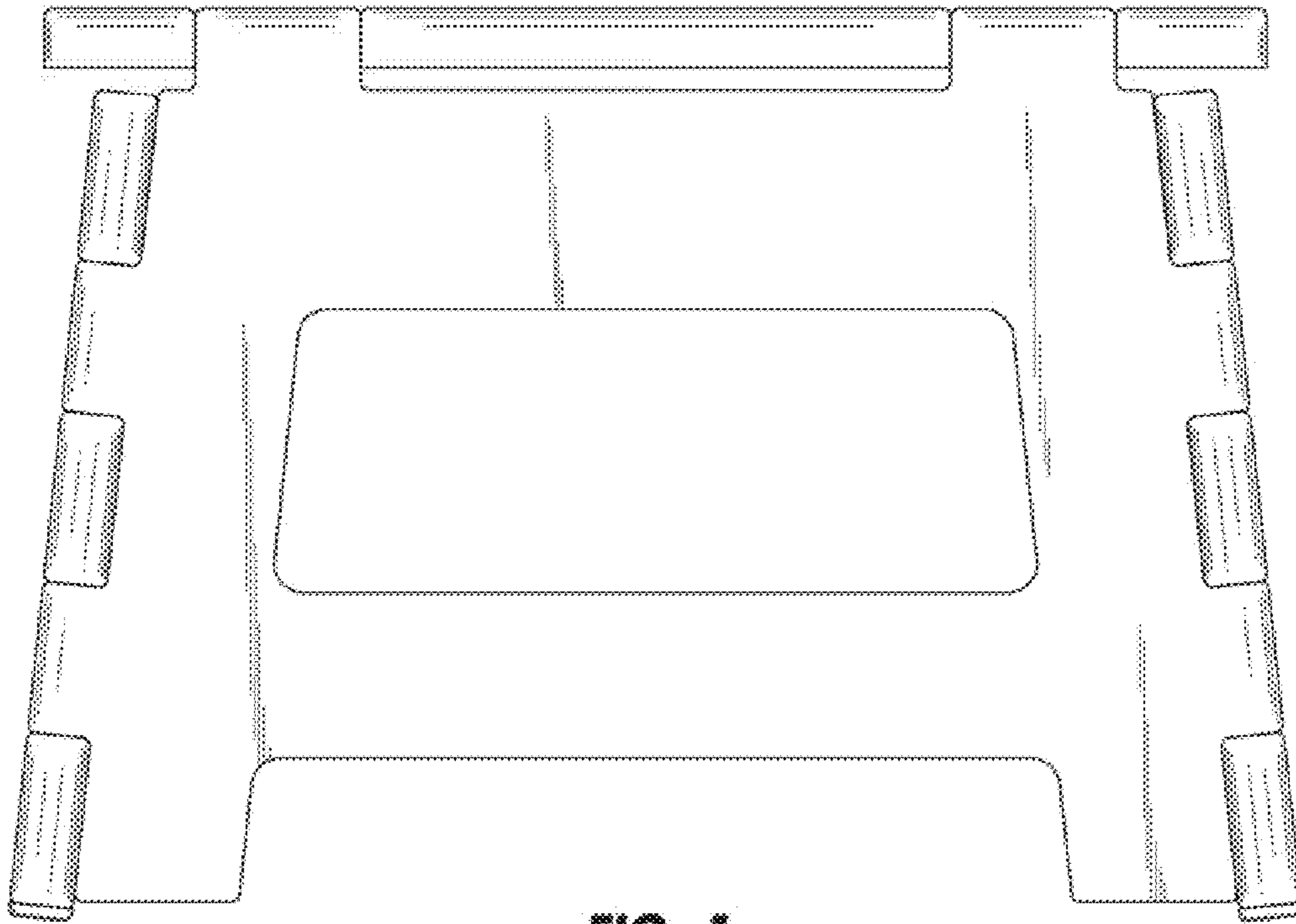


FIG. 1

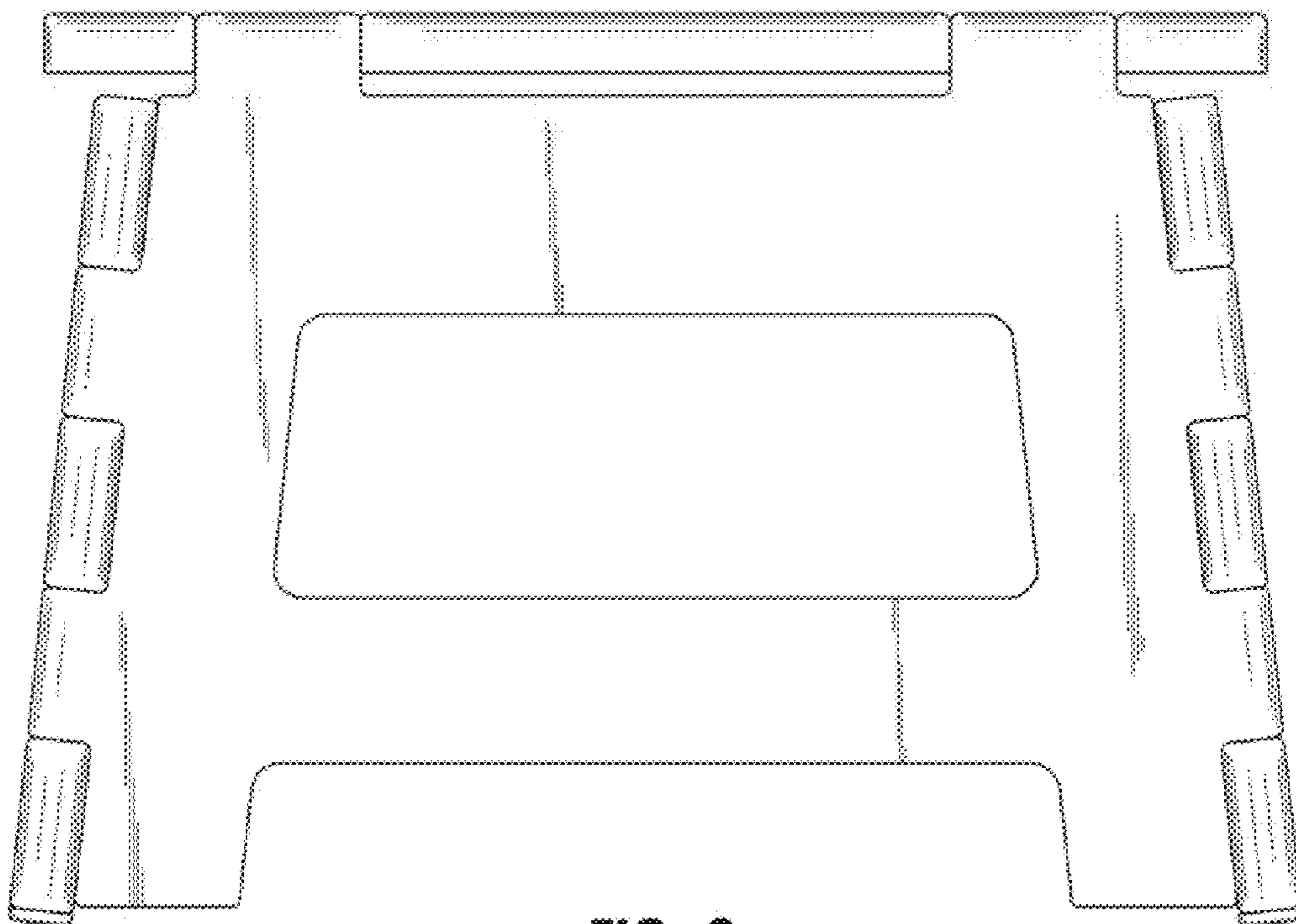


FIG. 2

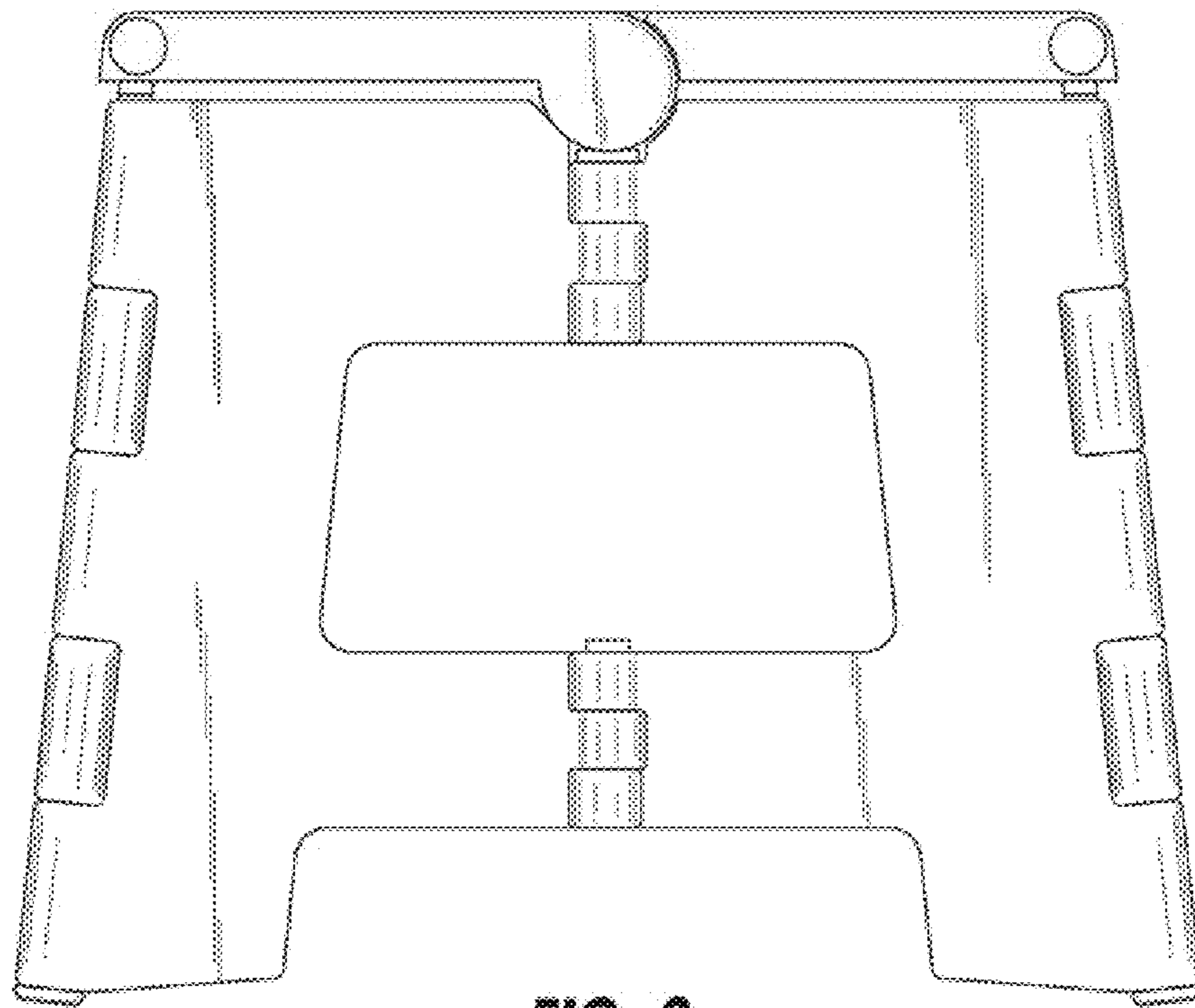


FIG. 3

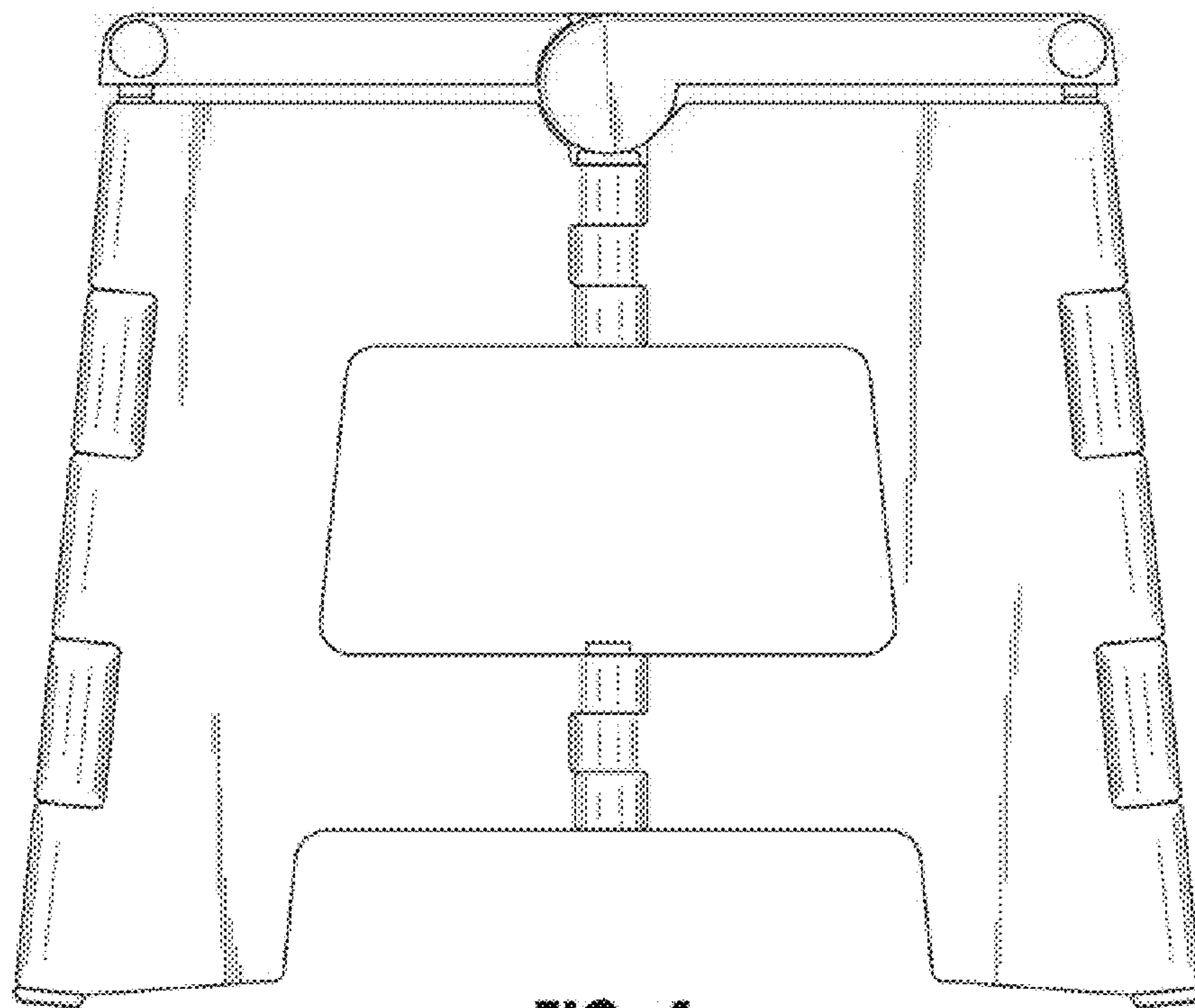


FIG. 4

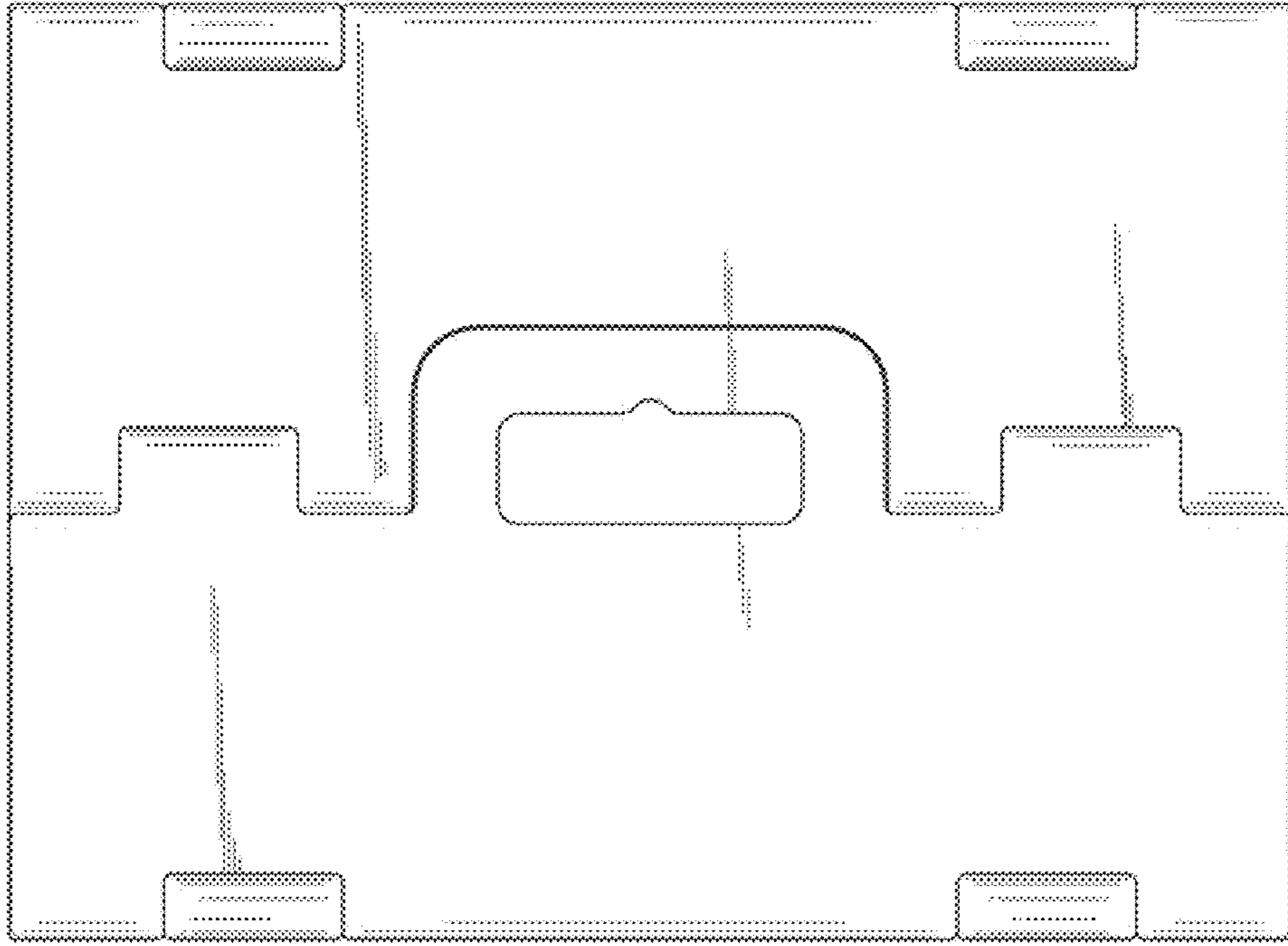


FIG. 5

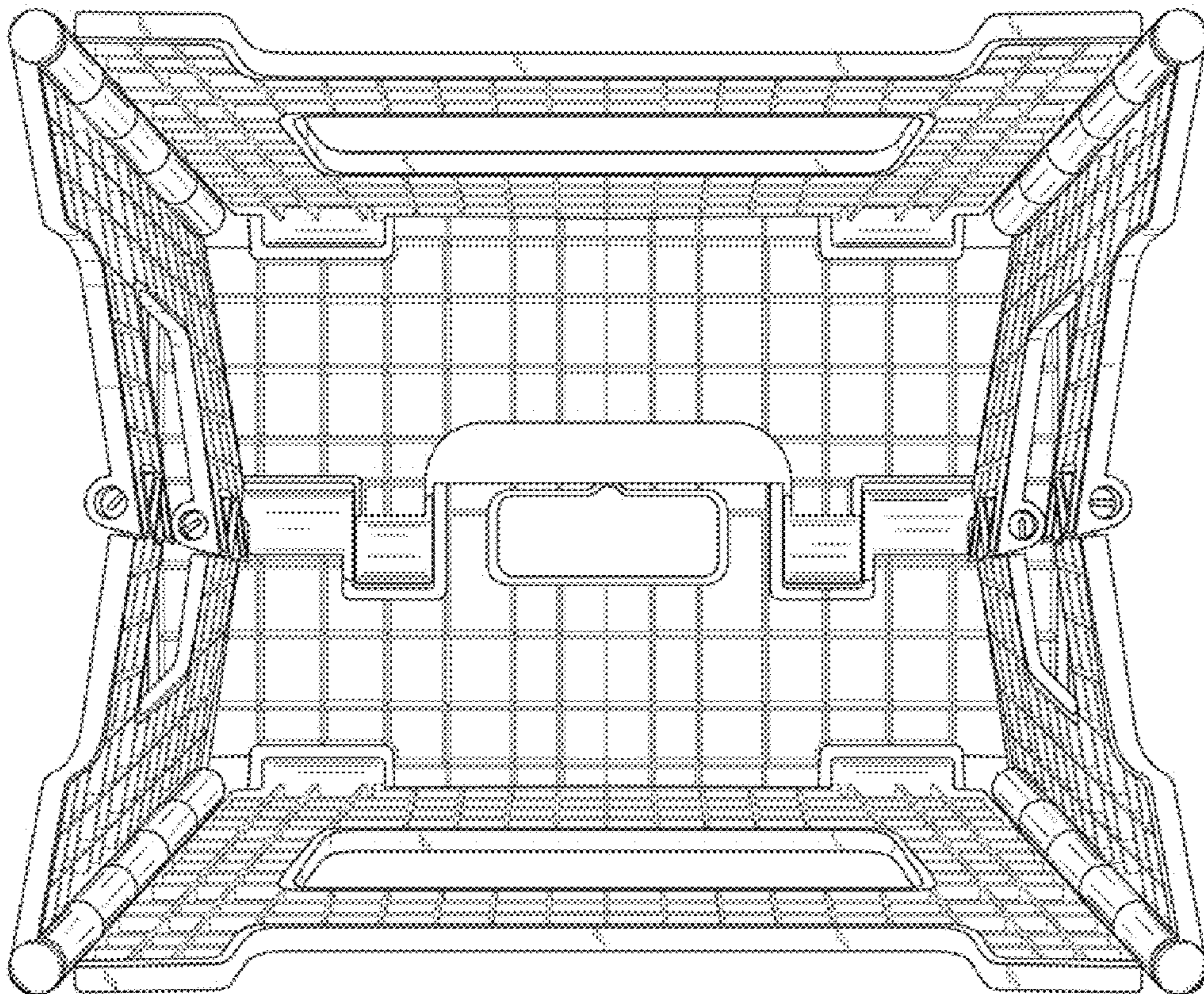


FIG. 6

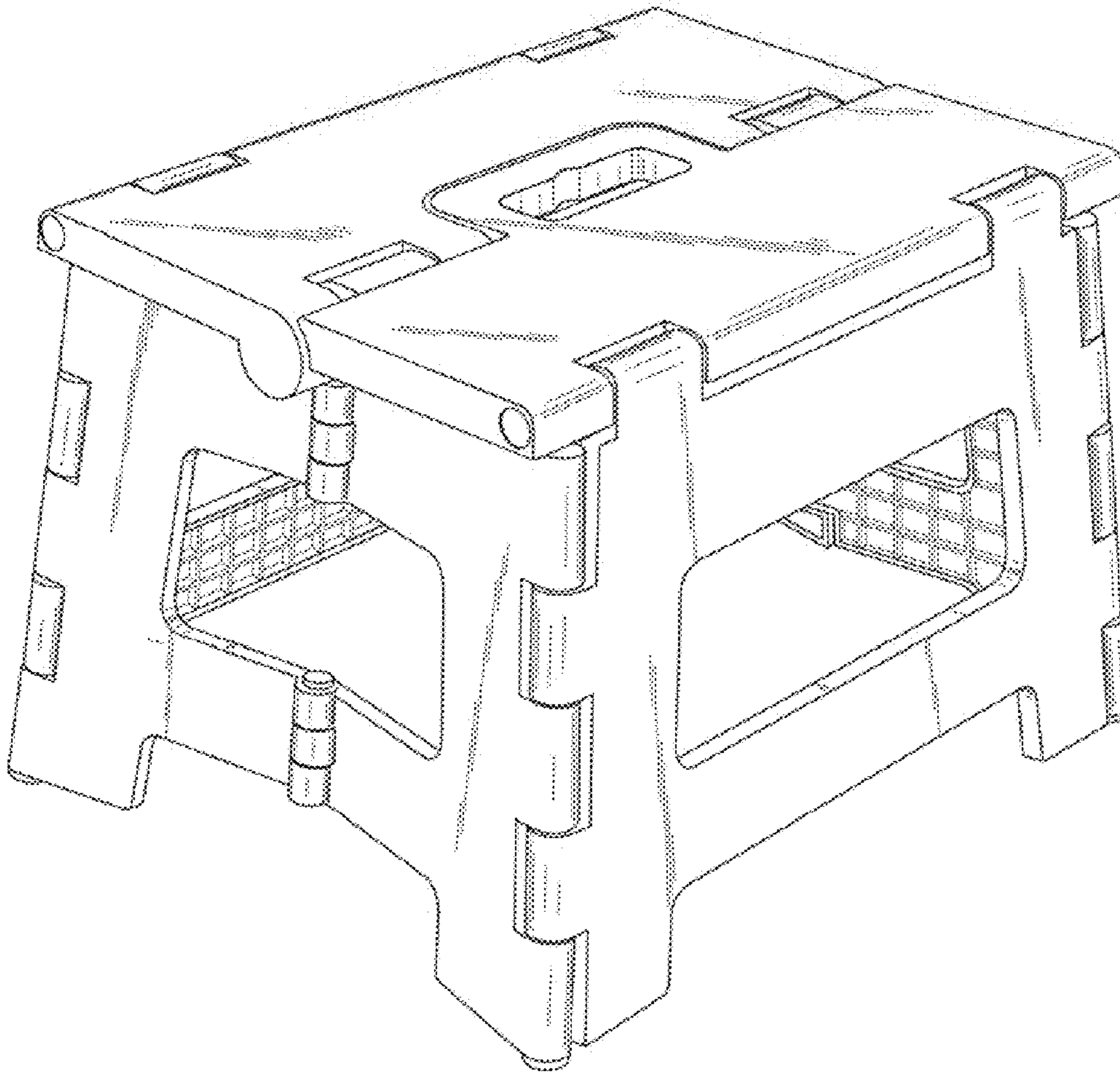


FIG. 7

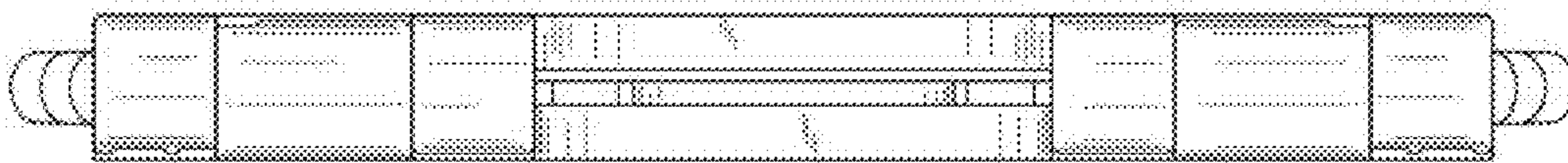


FIG. 8

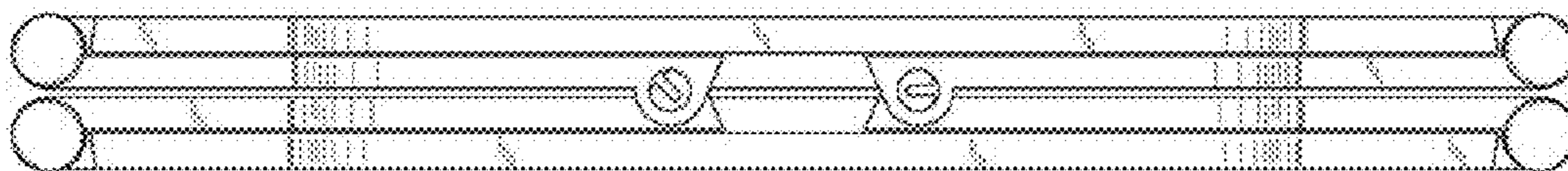


FIG. 9

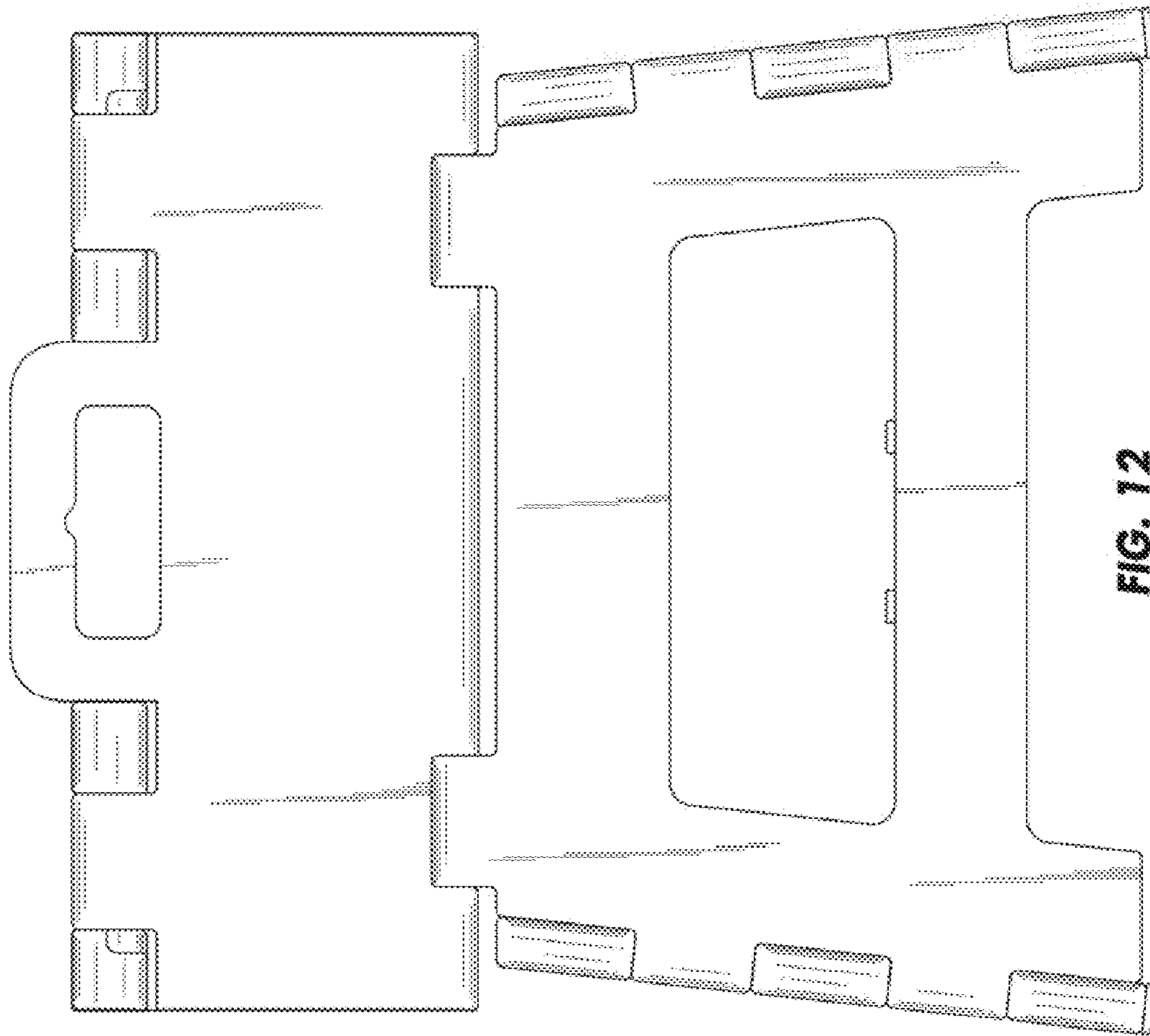


FIG. 12

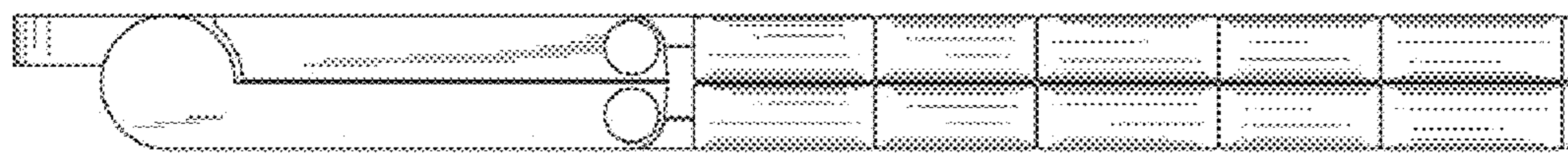


FIG. 11



FIG. 10

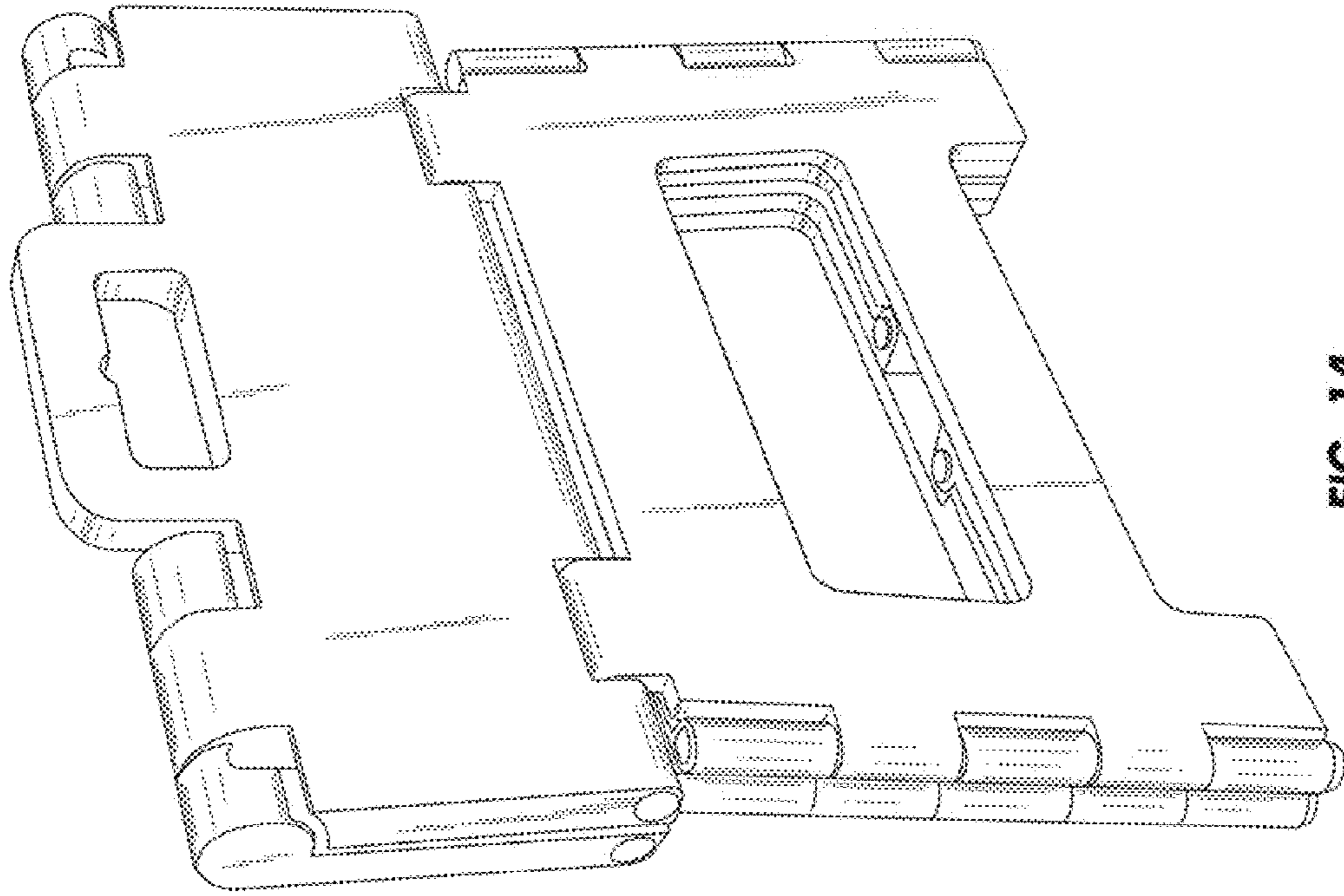


FIG. 14

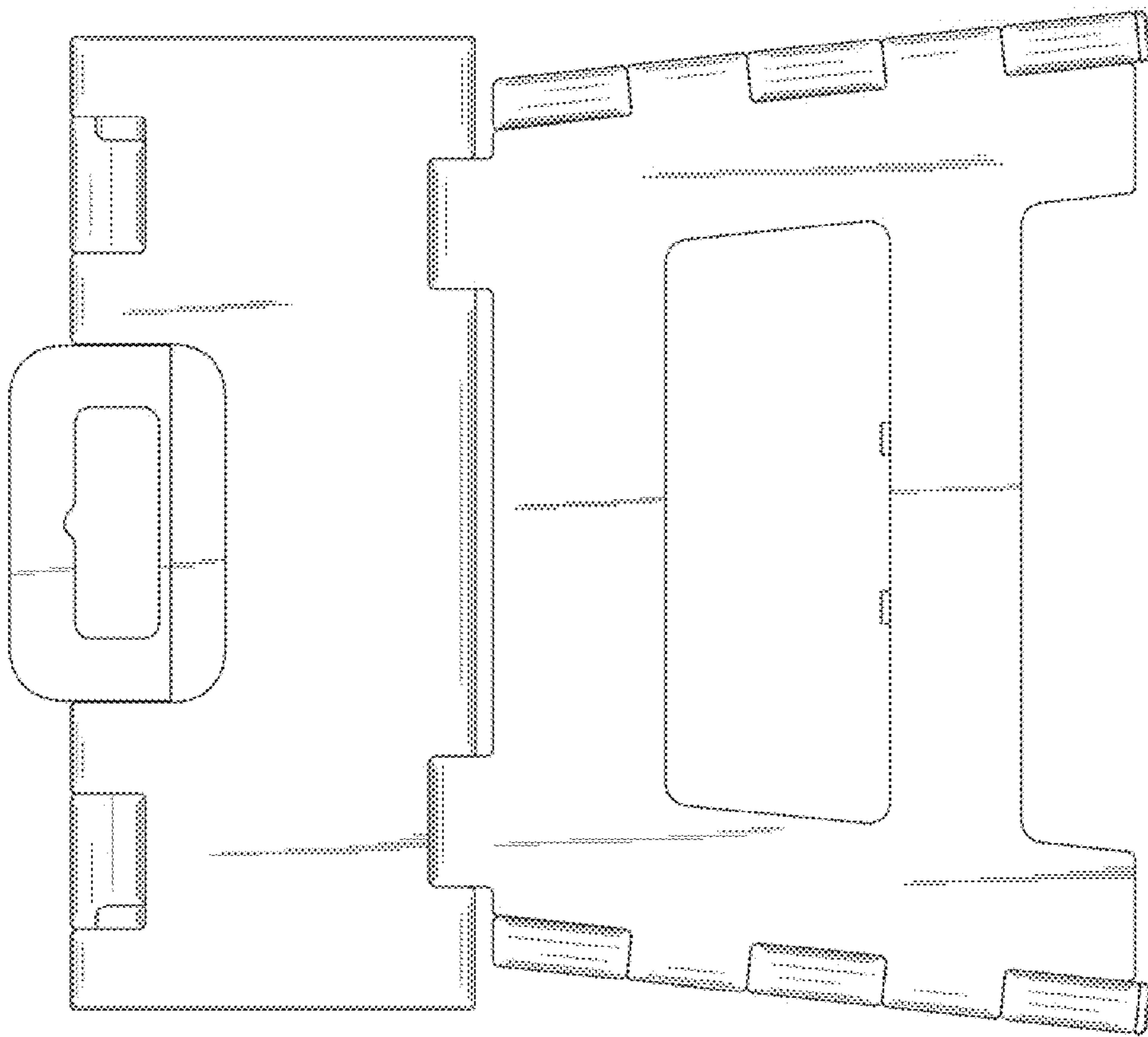


FIG. 13

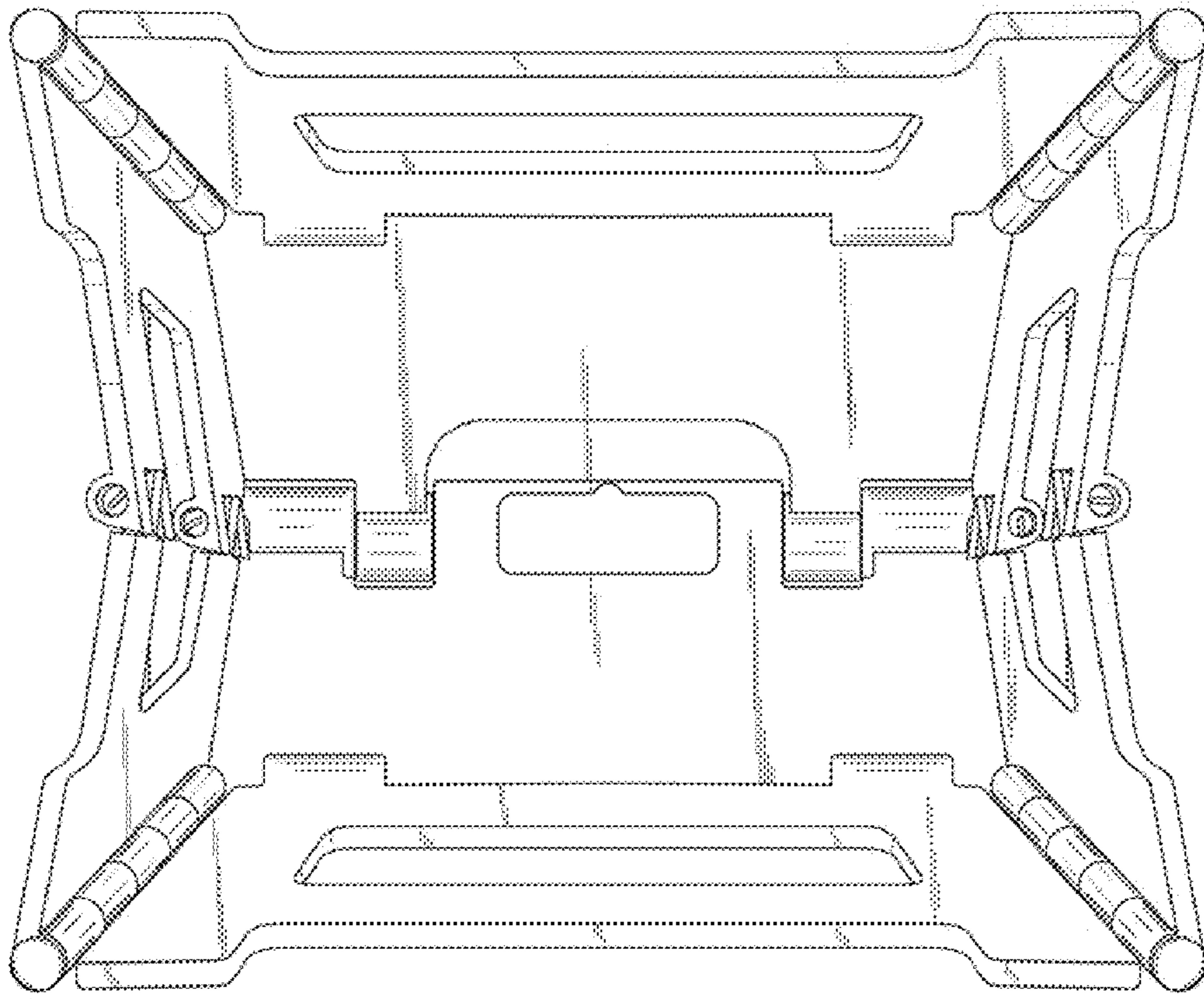


FIG. 15

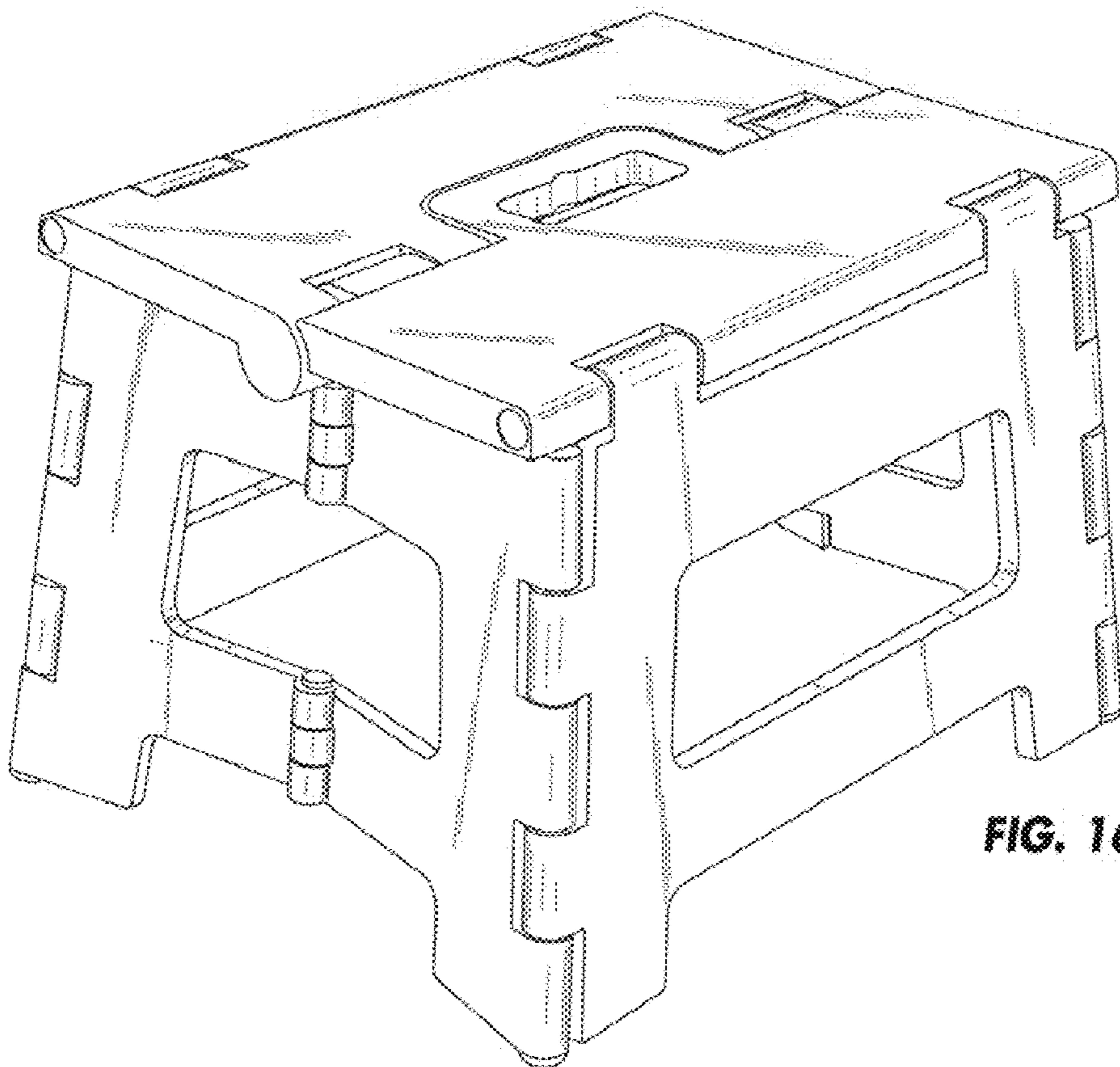


FIG. 16