



US00D639079S

(12) **United States Design Patent**  
**Kreitmann**

(10) **Patent No.:** **US D639,079 S**

(45) **Date of Patent:** **\*\* Jun. 7, 2011**

(54) **CONVERTIBLE SEATING DEVICE**

(76) **Inventor:** **Charlotte Kreitmann**, Brooklyn, NY  
(US)

(\*\*) **Term:** **14 Years**

(21) **Appl. No.:** **29/361,778**

(22) **Filed:** **May 14, 2010**

(51) **LOC (9) Cl.** ..... **06-01**

(52) **U.S. Cl.** ..... **D6/335**

(58) **Field of Classification Search** ..... D6/334,  
D6/335, 337, 349, 353, 380, 381, 500-502;  
5/12.1, 12.2; 297/14, 43, 44, 118, 140, 245,  
297/300.1, 311, 353, 354.1, 445.1, 446.1,  
297/446.2, 447.4, 465, 900, DIG. 2, DIG. 7  
See application file for complete search history.

(56) **References Cited**

**U.S. PATENT DOCUMENTS**

207,846 A \* 9/1878 De Bretton ..... 297/244  
2,074,998 A \* 3/1937 Kaufman ..... 297/48

D106,242 S \* 9/1937 Salomon ..... D6/357  
D109,415 S \* 4/1938 Michelson ..... D6/356  
3,453,022 A \* 7/1969 Lecuyer ..... 297/46  
6,247,748 B1 \* 6/2001 Zheng ..... 297/16.2  
D531,825 S \* 11/2006 Jenkins et al. .... D6/335  
D593,759 S \* 6/2009 Oliphant ..... D6/335

\* cited by examiner

*Primary Examiner* — Sandra Snapp

(74) *Attorney, Agent, or Firm* — Jeffrey Sonnabend;  
SonnabendLaw

(57) **CLAIM**

The ornamental design for a convertible seating device, as shown and described.

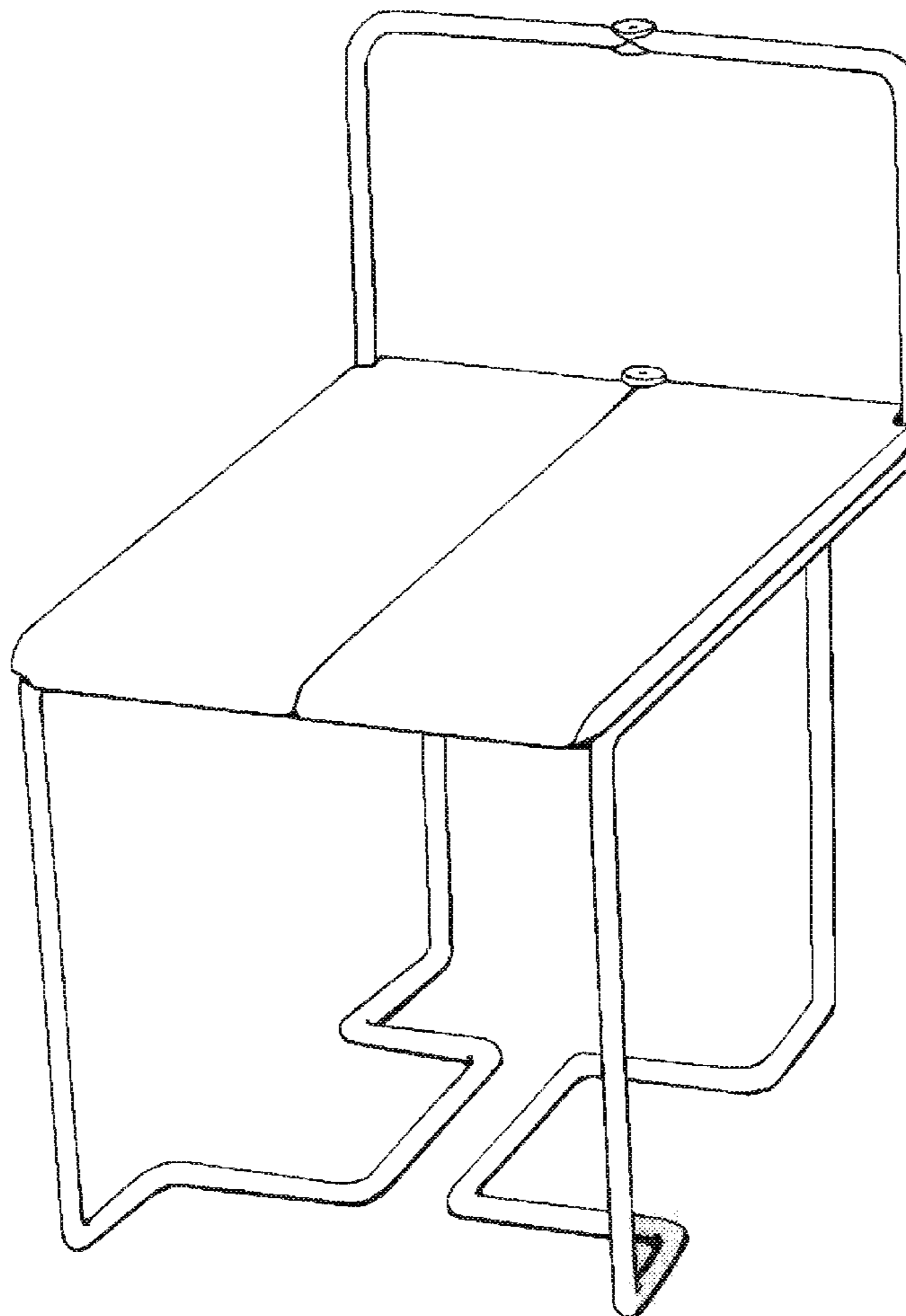
**DESCRIPTION**

FIG. 1 is a perspective view of an embodiment of the instant invention in a first position.

FIG. 2 is a perspective view of an embodiment of the instant invention in a second position; and,

FIG. 3 is a perspective view of an embodiment of the instant invention in a third position.

**1 Claim, 3 Drawing Sheets**



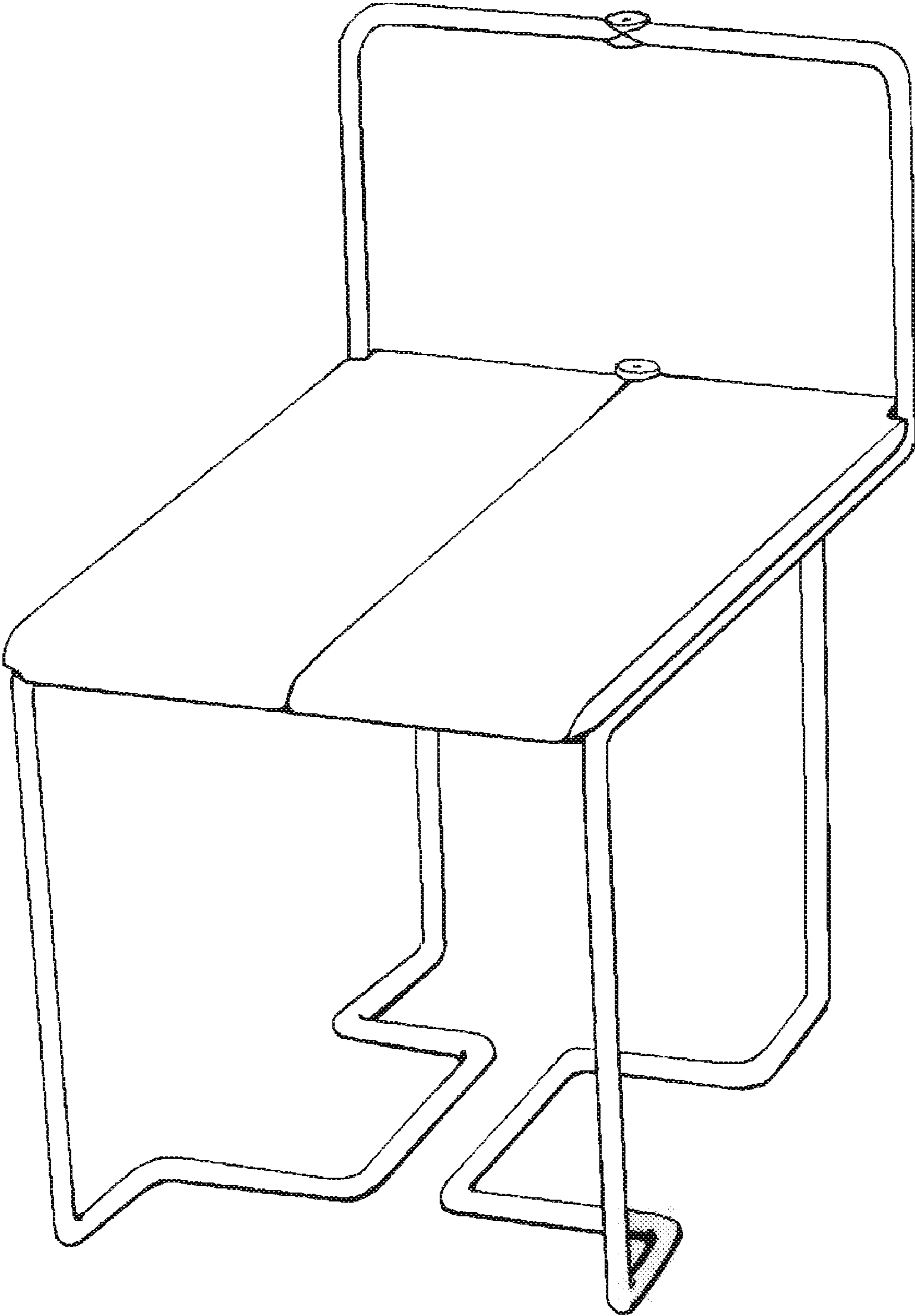


FIGURE 1

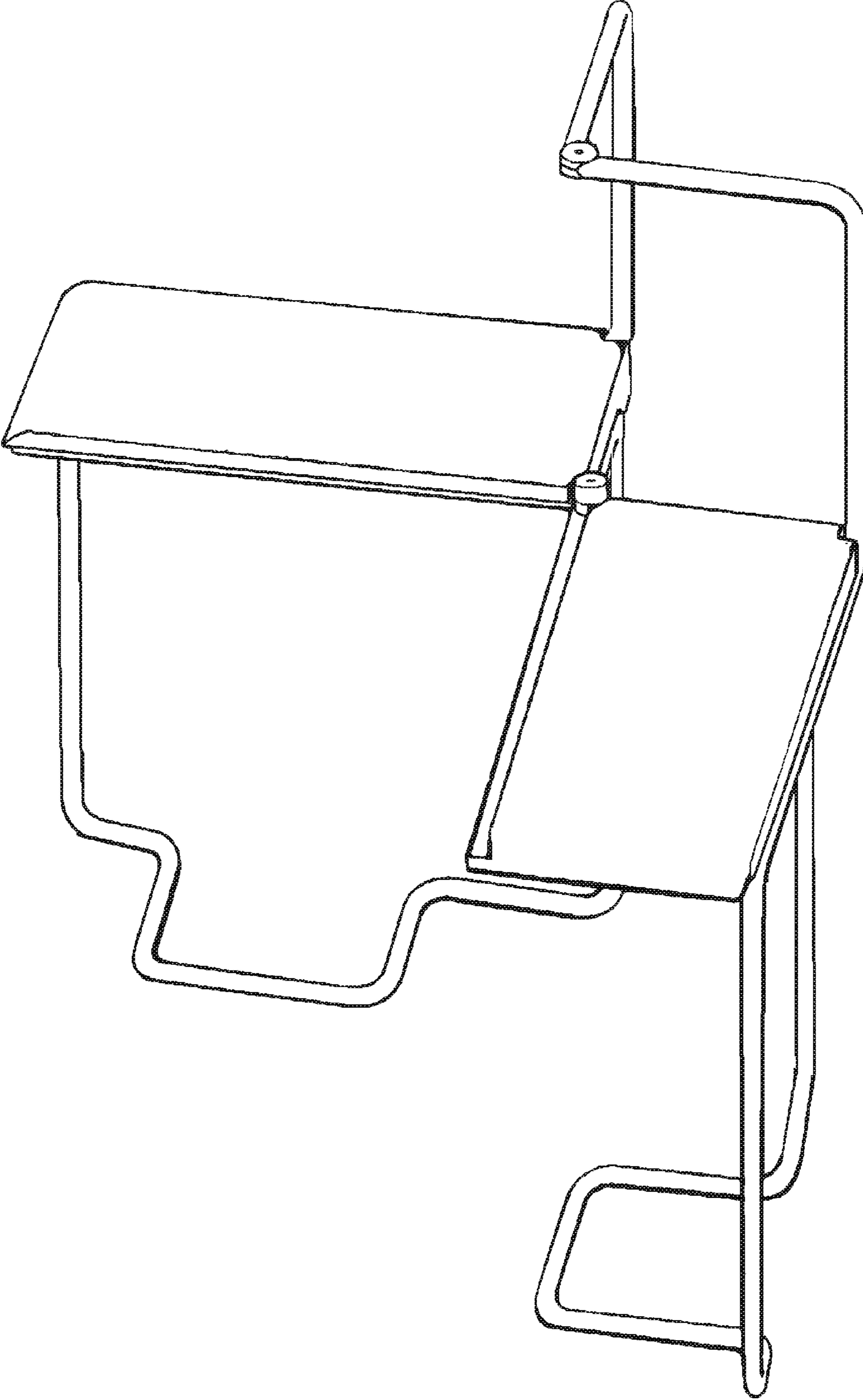


FIGURE 2

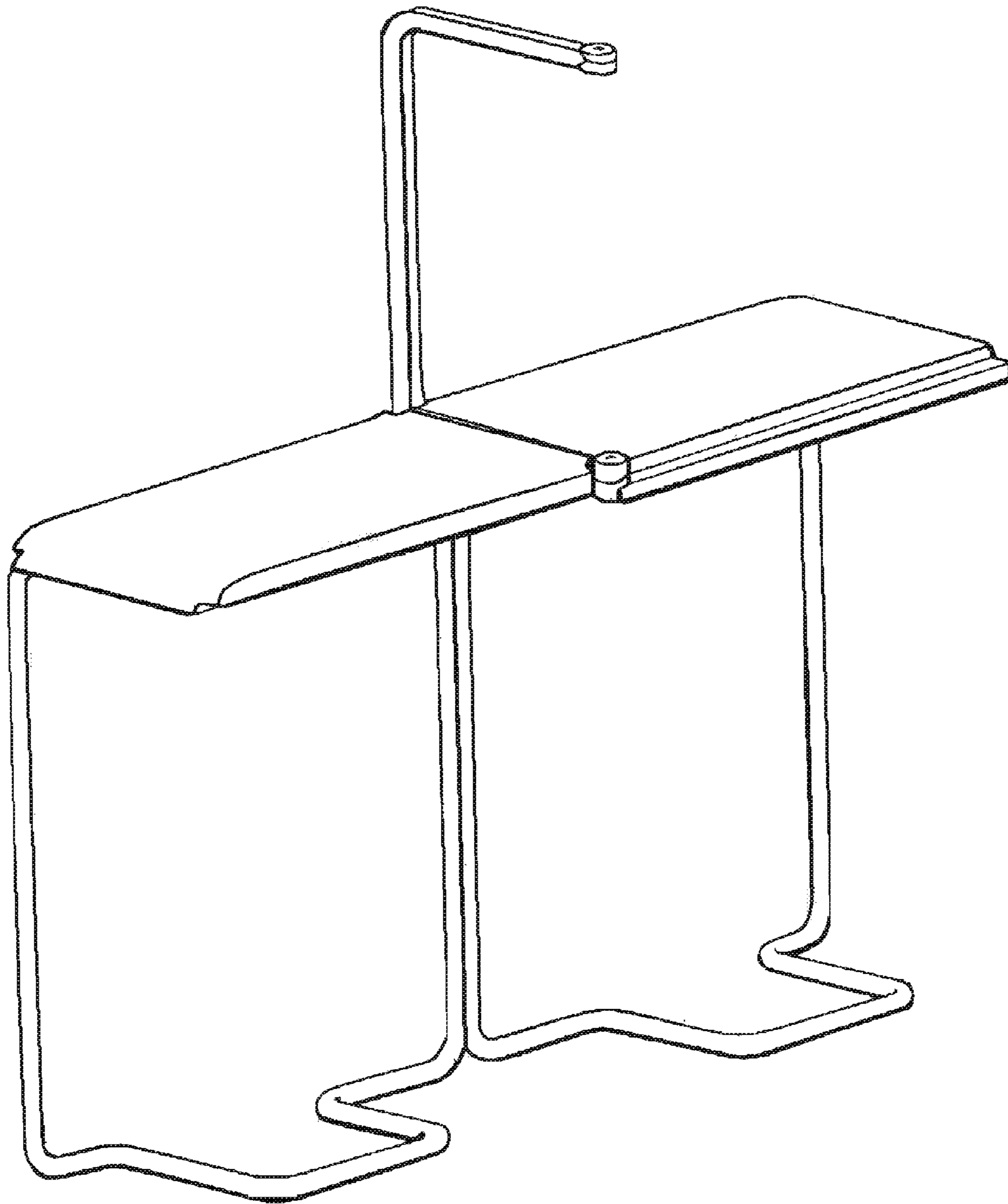


FIGURE 3