



US00D639078S

(12) **United States Design Patent**  
**Brooks**

(10) **Patent No.:** **US D639,078 S**

(45) **Date of Patent:** **\*\* Jun. 7, 2011**

(54) **SEAT**

(76) **Inventor:** **Davis Brooks**, High Point, NC (US)

(\*\*) **Term:** **14 Years**

(21) **Appl. No.:** **29/363,079**

(22) **Filed:** **Jun. 4, 2010**

(51) **LOC (9) Cl.** ..... **06-01**

(52) **U.S. Cl.** ..... **D6/334**

(58) **Field of Classification Search** ..... D6/334,  
D6/335, 337, 349, 353, 380, 381, 500–502;  
5/12.1, 12.2; 297/14, 43, 44, 118, 140, 245,  
297/300.1, 311, 353, 354.1, 445.1, 446.1,  
297/446.2, 447.4, 465, 900, DIG. 2, DIG. 7

See application file for complete search history.

(56) **References Cited**

**U.S. PATENT DOCUMENTS**

D367,366 S	2/1996	Natuzzi et al.	.....	D6/335
D369,475 S	5/1996	Natuzzi et al.	.....	D6/335
D381,829 S	8/1997	Natuzzi et al.	.....	D6/381
D382,720 S	8/1997	Gera	.....	D6/335
D382,722 S	8/1997	Natuzzi et al.	.....	D6/381
D382,724 S	8/1997	Natuzzi et al.	.....	D6/381
D386,623 S	11/1997	Natuzzi et al.	.....	D6/381
D405,287 S	2/1999	Watson	.....	D6/381
D407,574 S	4/1999	Natuzzi et al.	.....	D6/381
D420,829 S	2/2000	Natuzzi et al.	.....	D6/381
D427,787 S	7/2000	Natuzzi et al.	.....	D6/335
D430,738 S *	9/2000	Zaidman	.....	D6/334
D441,552 S *	5/2001	McCarthy	.....	D6/334
D446,950 S	8/2001	Leon et al.	.....	D6/335
D459,095 S	6/2002	Lewis et al.	.....	D6/334
D469,973 S	2/2003	Ricci	.....	D6/381
D493,628 S	8/2004	Ricci	.....	D6/381
D499,262 S *	12/2004	Ricci	.....	D6/381
D499,268 S	12/2004	Ricci	.....	D6/381
D502,018 S *	2/2005	Ricci	.....	D6/381
D503,858 S	4/2005	Ricci	.....	D6/381
D512,847 S *	12/2005	Ricci	.....	D6/381
D513,135 S *	12/2005	Ricci	.....	D6/381
D520,771 S	5/2006	Ricci	.....	D6/381
D521,267 S	5/2006	Ricci	.....	D6/381
D528,320 S *	9/2006	Nastri	.....	D6/381
D539,053 S	3/2007	Adair et al.	.....	D6/381
D540,563 S *	4/2007	Natuzzi	.....	D6/381

D541,071 S	4/2007	Adair et al.	.....	D6/381
D543,044 S *	5/2007	Ricci	.....	D6/381
D544,239 S	6/2007	Ricci	.....	D6/381
D551,461 S	9/2007	Ricci	.....	D6/381
D552,873 S	10/2007	Natuzzi	.....	D6/381
D575,543 S *	8/2008	Mastal	.....	D6/381

\* cited by examiner

*Primary Examiner* — Sandra Snapp

(74) *Attorney, Agent, or Firm* — MacCord Mason PLLC

(57) **CLAIM**

The ornamental design for a seat, as shown and described.

**DESCRIPTION**

FIG. 1 is a front perspective view of a first embodiment of a seat in the form of a chair without a mechanical mechanism showing my new design;

FIG. 2 is a front view of the first embodiment of the seat without a mechanical mechanism;

FIG. 3 is a side view of the first embodiment of the seat without a mechanical mechanism;

FIG. 4 is a back view of the first embodiment of the seat without a mechanical mechanism;

FIG. 5 is a front perspective view of a second embodiment of the seat in the form of a chair with a mechanical mechanism;

FIG. 6 is a front view of the second embodiment of the seat with a mechanical mechanism;

FIG. 7 is a side view of the second embodiment of the seat with a mechanical mechanism;

FIG. 8 is an opposite side view of the second embodiment of the seat with a mechanical mechanism;

FIG. 9 is a back view of the second embodiment of the seat with a mechanical mechanism;

FIG. 10 is a front perspective view of a third embodiment of the seat in the form of a sofa;

FIG. 11 is a front view of the third embodiment of the seat;

FIG. 12 is a side view of the third embodiment of the seat, the opposite side being a mirror image thereof;

FIG. 13 is a back view of the third embodiment of the seat;

FIG. 14 is a front perspective view of a fourth embodiment of the seat in the form of a loveseat;

FIG. 15 is a front view of the fourth embodiment of the seat;

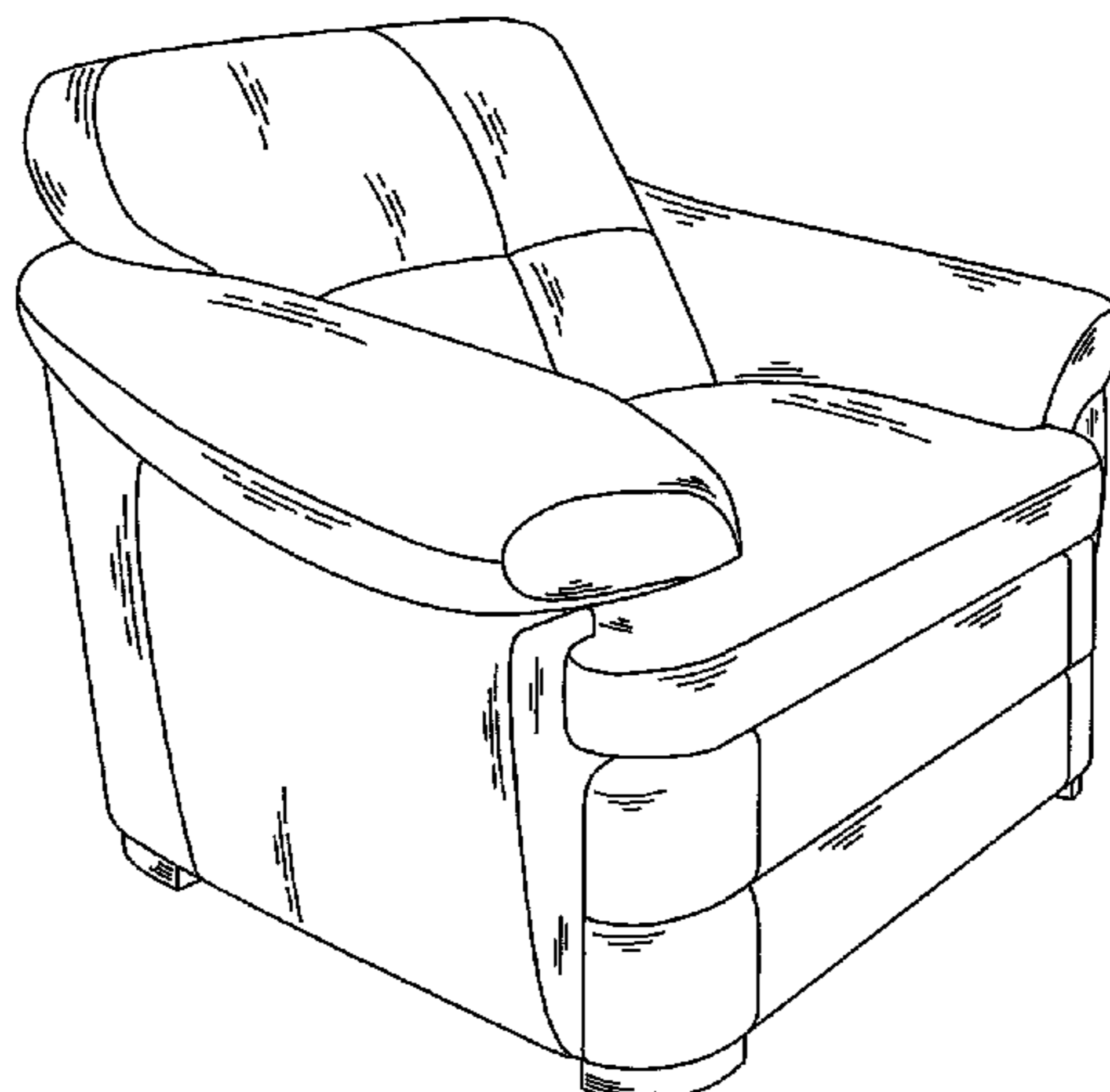


FIG. 16 is a side view of the fourth embodiment of the seat, the opposite side view being a minor image thereof;  
FIG. 17 is a back view of the fourth embodiment of the seat;  
FIG. 18 is a front perspective view of the fifth embodiment of the seat in the form of a chair, with an untufted back and without a mechanical mechanism;  
FIG. 19 is a front view of the fifth embodiment of the seat with an untufted back and without a mechanical mechanism;  
FIG. 20 is a side view of the fifth embodiment of the seat with an untufted back and without a mechanical mechanism, the opposite side being a minor image thereof;  
FIG. 21 is a back view of the fifth embodiment of the seat with an untufted back and without a mechanical mechanism;  
FIG. 22 is a front perspective view of the sixth embodiment of the seat with an untufted back and with a mechanical mechanism;  
FIG. 23 is a front view of the sixth embodiment of the seat in the form of a chair with an untufted back and with a mechanical mechanism;  
FIG. 24 is a side view of the sixth embodiment of the seat with an untufted back and with a mechanical mechanism;  
FIG. 25 is an opposite side view of the sixth embodiment of the seat with an untufted back and with a mechanical mechanism;

FIG. 26 is a back view of the sixth embodiment of the seat with an untufted back and with a mechanical mechanism;  
FIG. 27 is a front perspective view of the seventh embodiment of the seat in the form of a sofa with an untufted back;  
FIG. 28 is a front view of the seventh embodiment of the seat with an untufted back;  
FIG. 29 is a side view of the seventh embodiment of the seat with an untufted back, the opposite side being a mirror image thereof;  
FIG. 30 is a back view of the seventh embodiment of the seat with an untufted back;  
FIG. 31 is a front perspective view of the seventh embodiment of the seat with an untufted back;  
FIG. 32 is a front view of the seventh embodiment of the seat with an untufted back;  
FIG. 33 is a side view of the seventh embodiment of the seat with an untufted back, the opposite side view being a minor image thereof; and,  
FIG. 34 is a back view of the seventh embodiment of the seat with an untufted back.

**1 Claim, 32 Drawing Sheets**

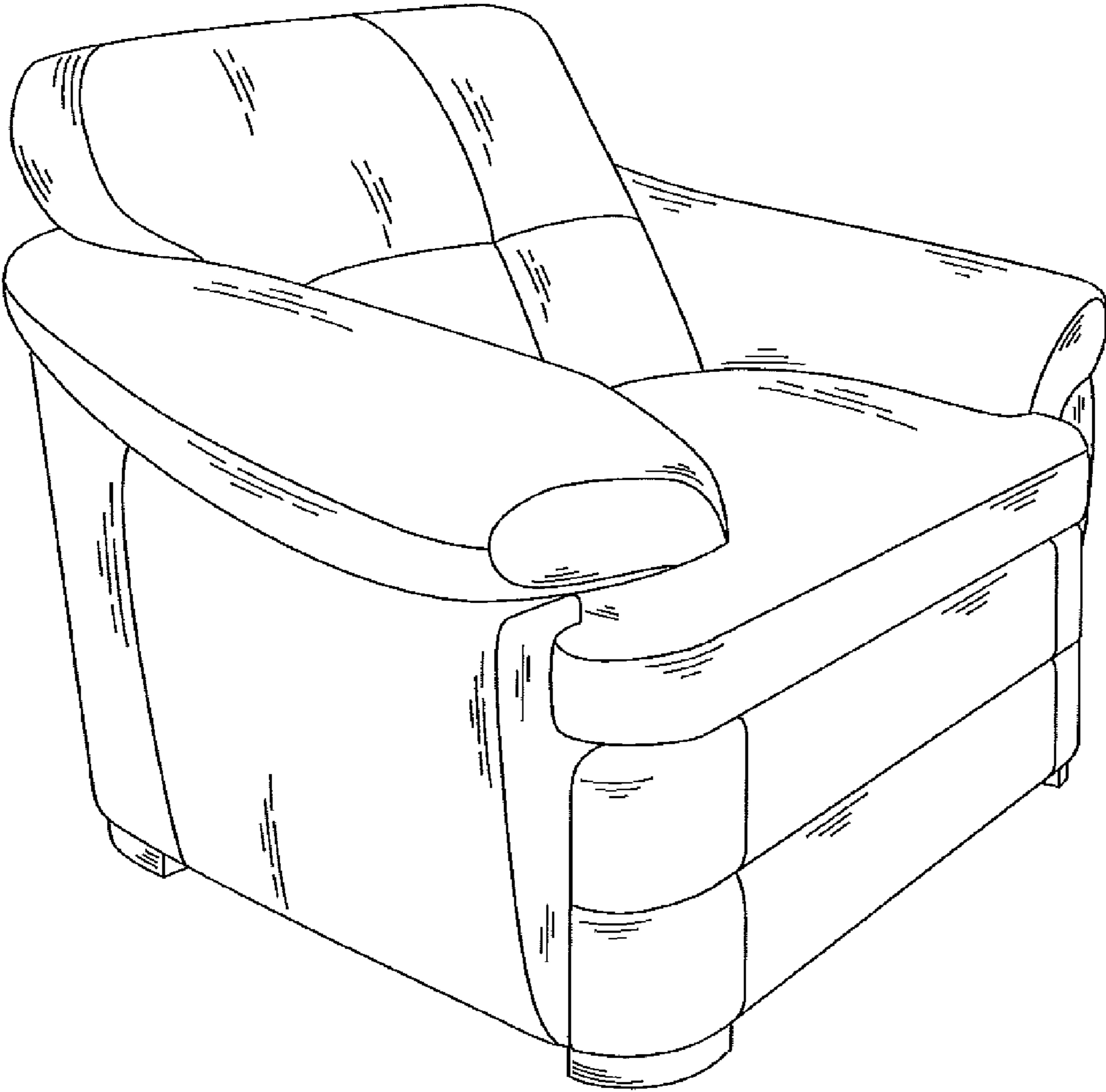


FIG. 1

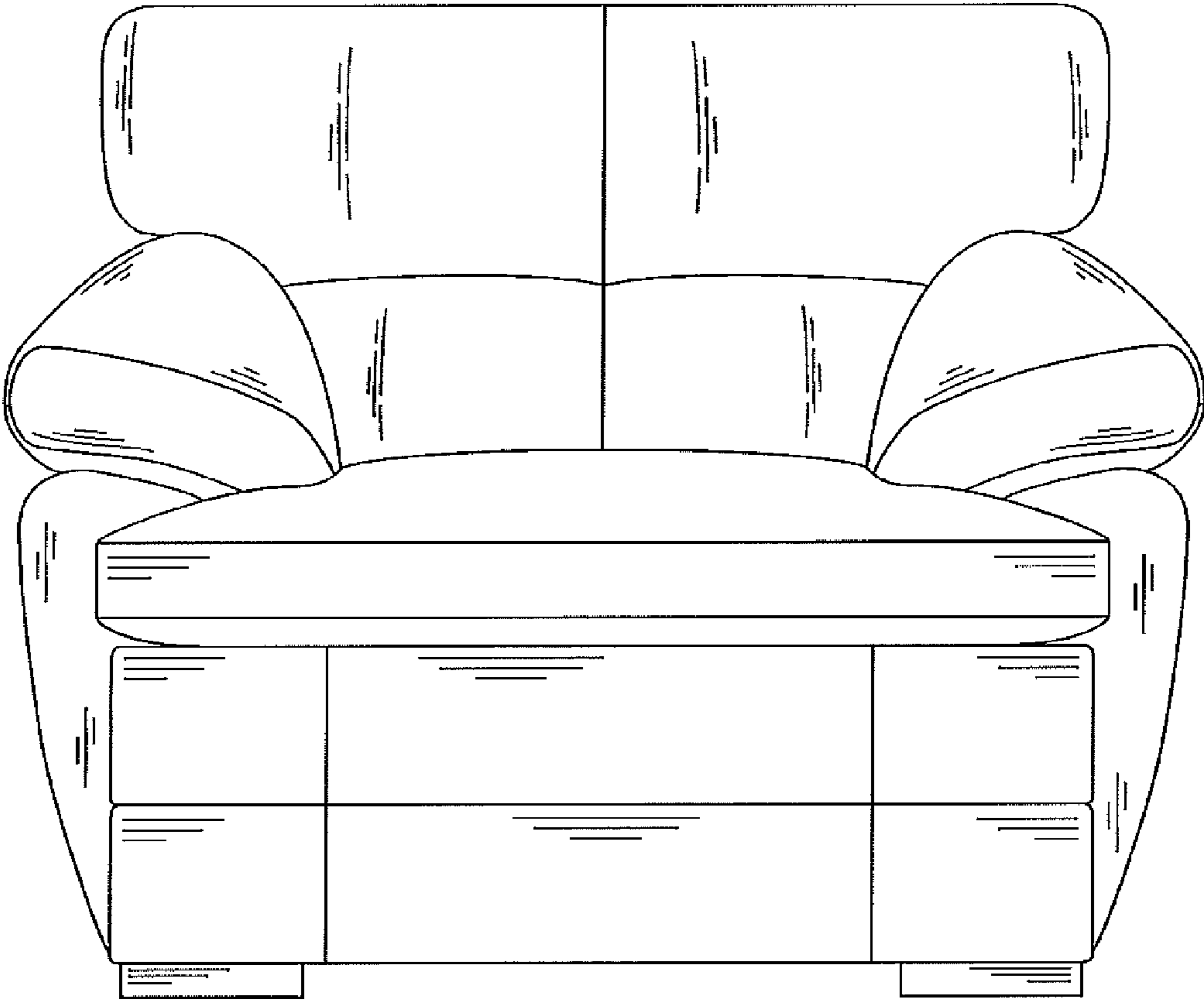


FIG. 2

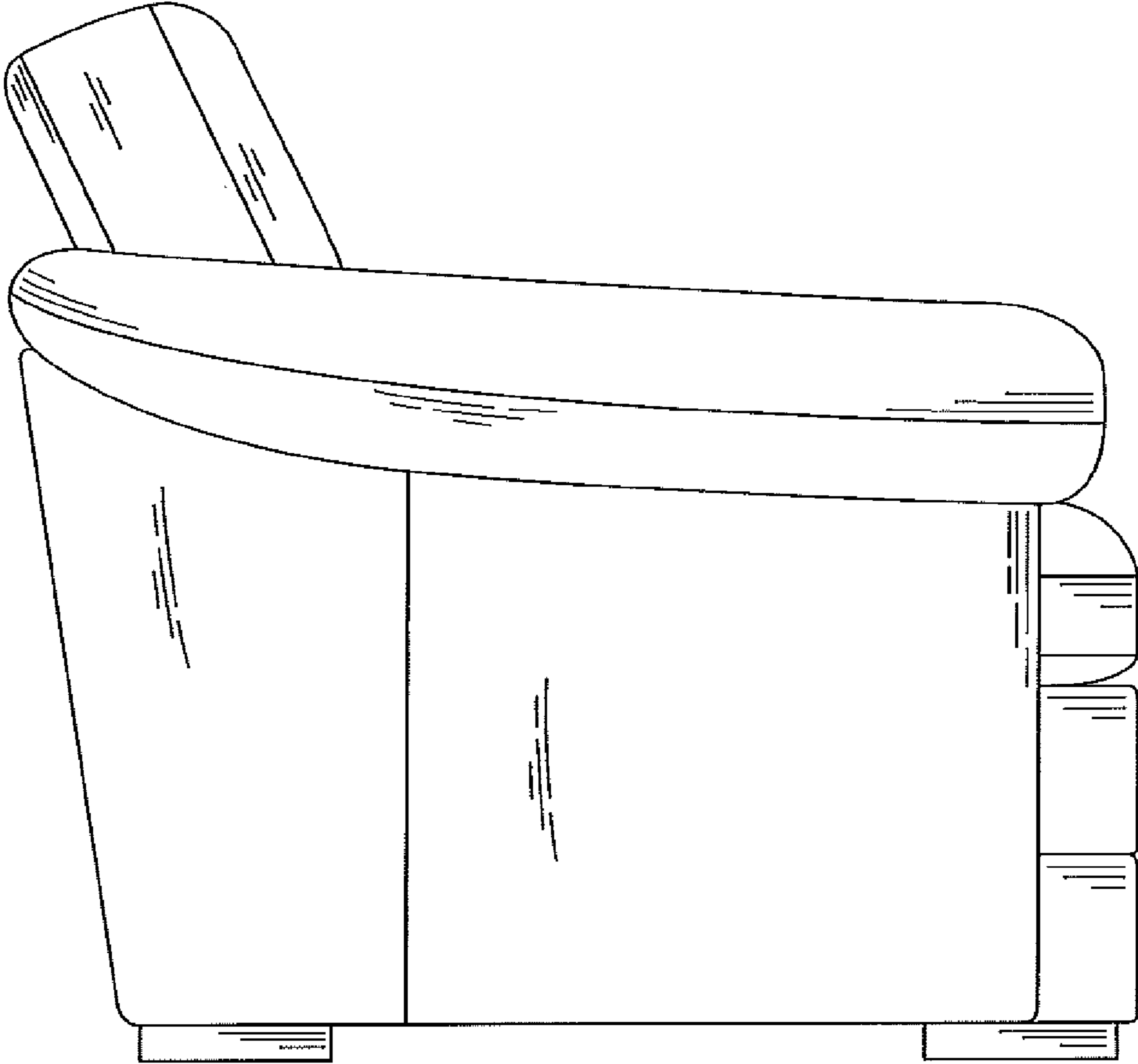


FIG. 3

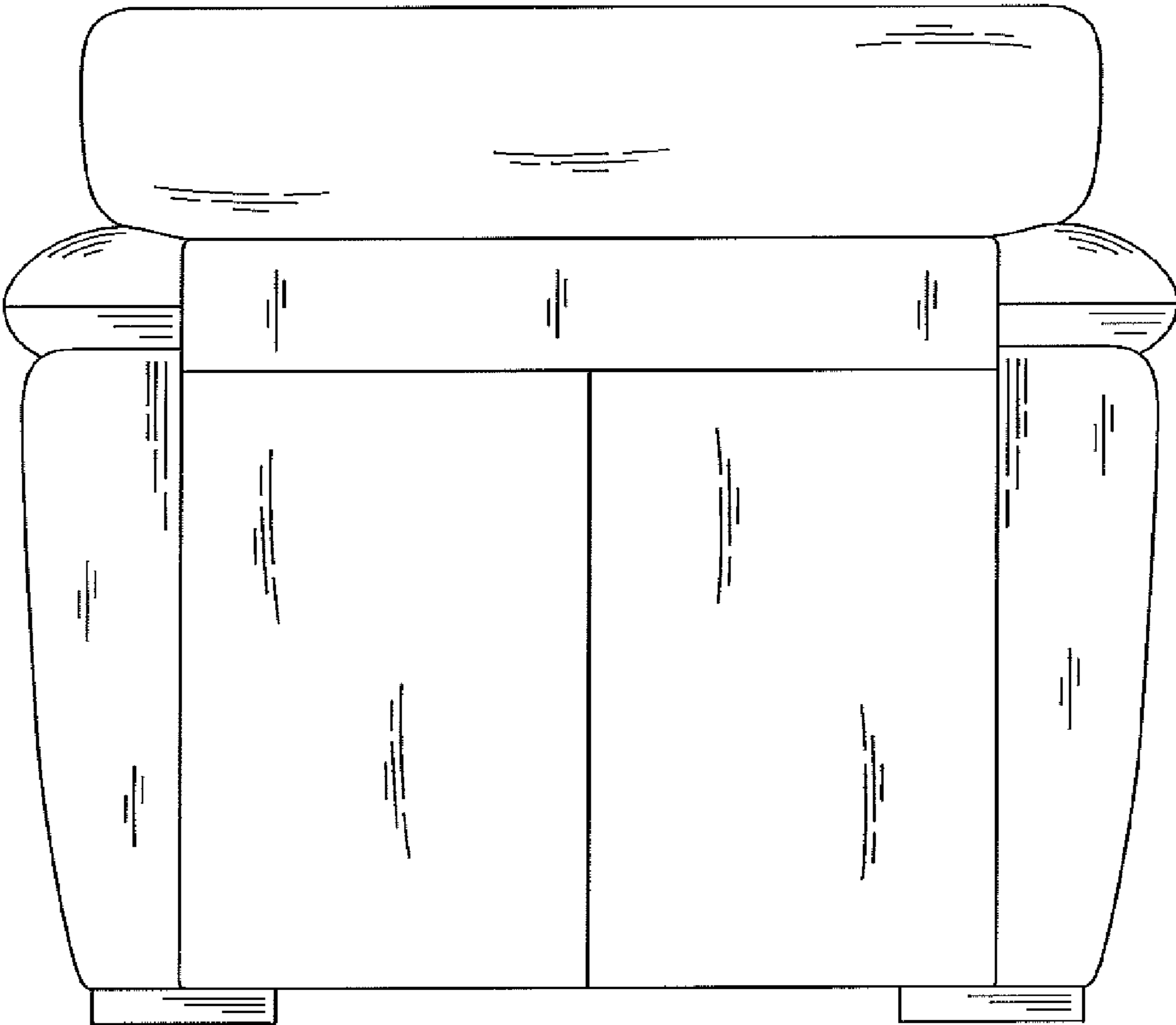


FIG. 4

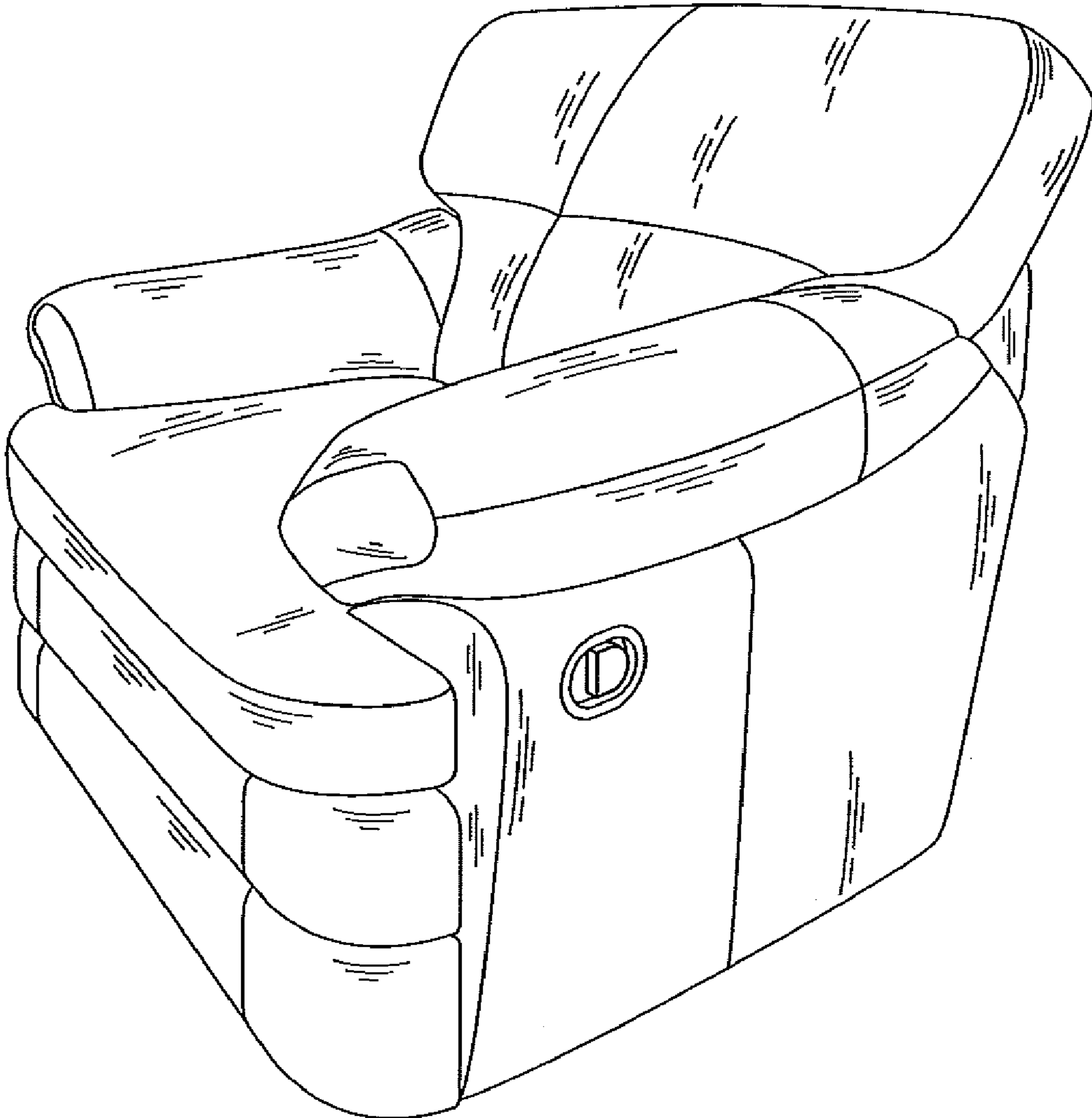


FIG. 5

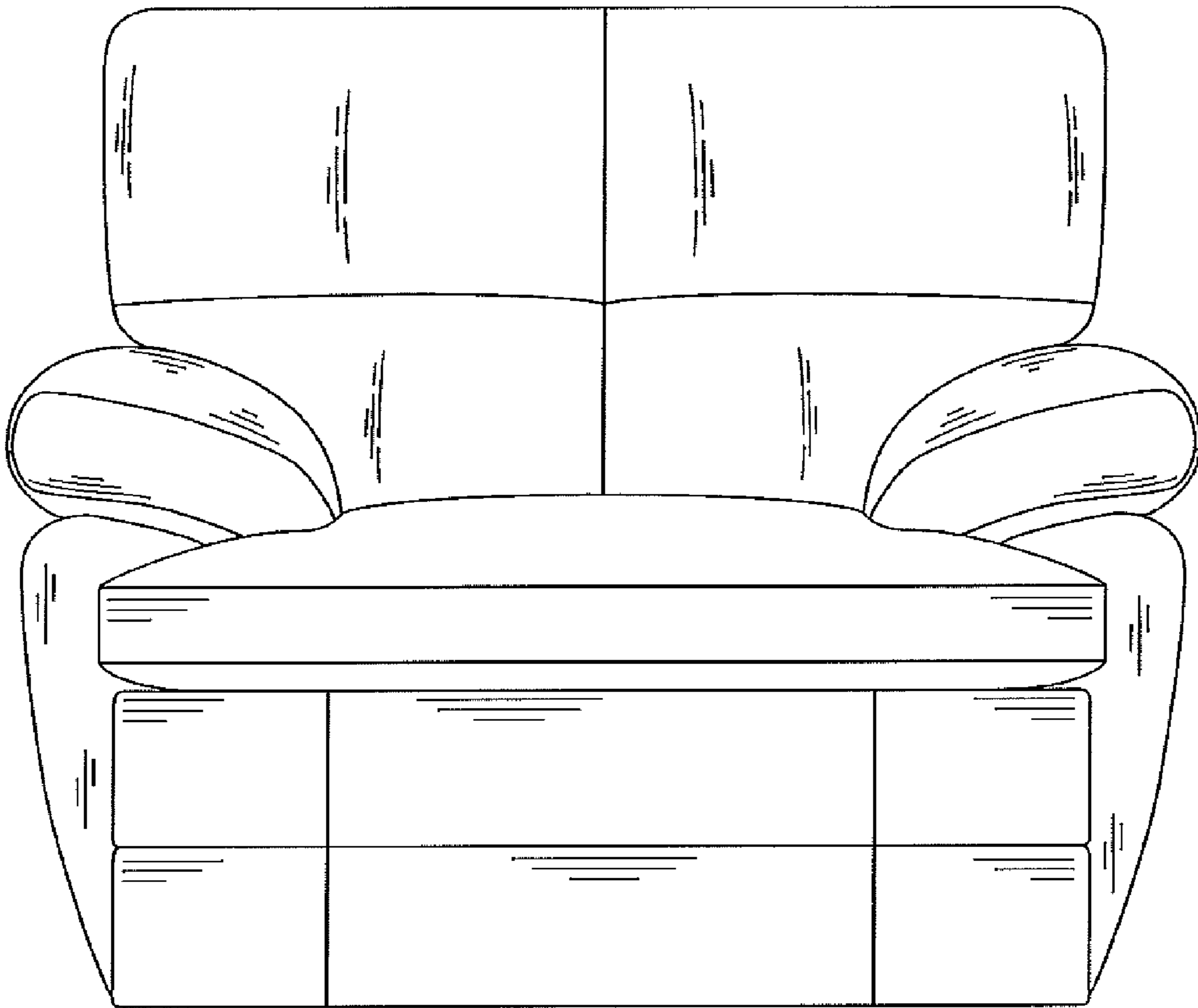


FIG. 6



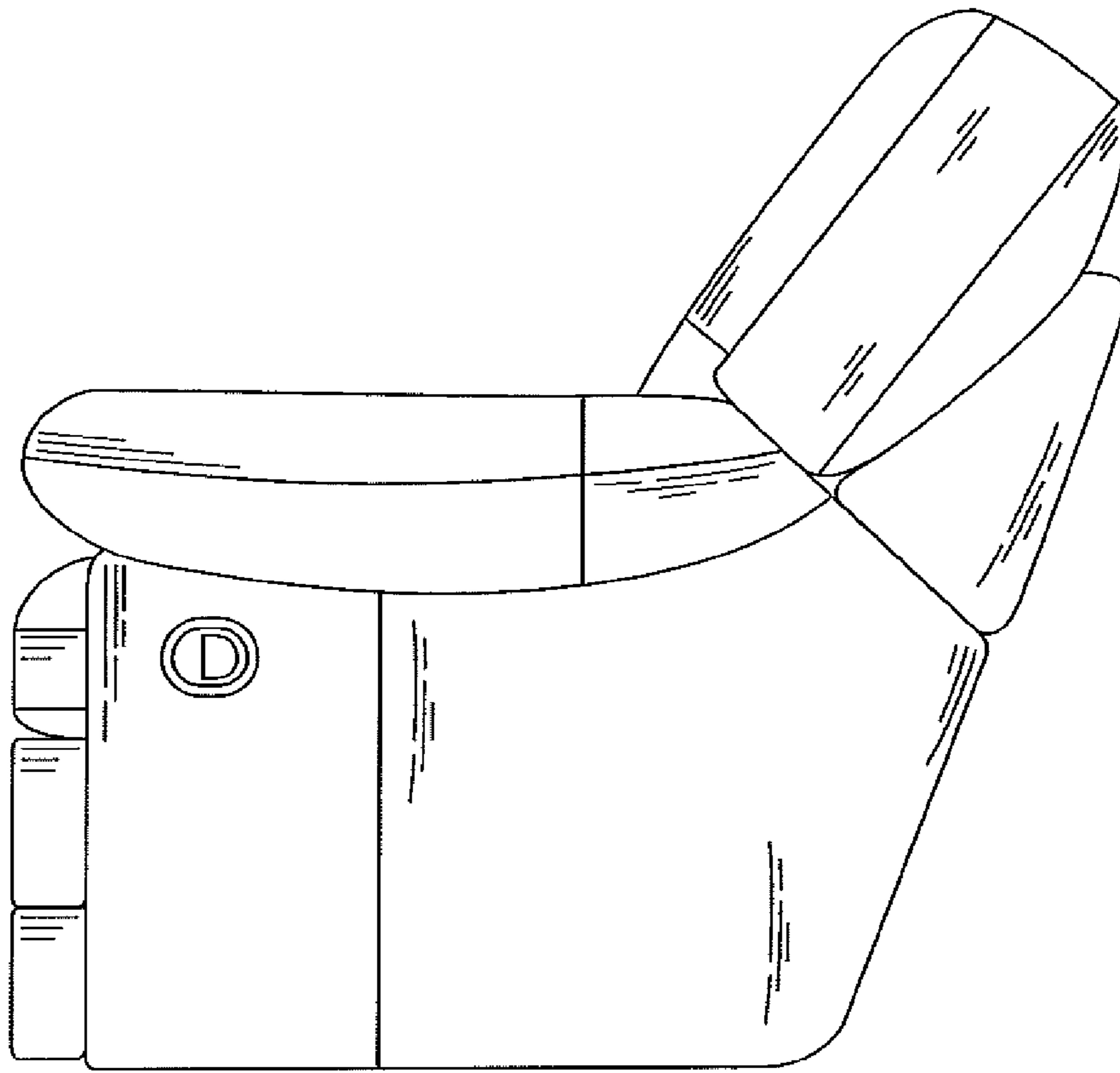


FIG. 7

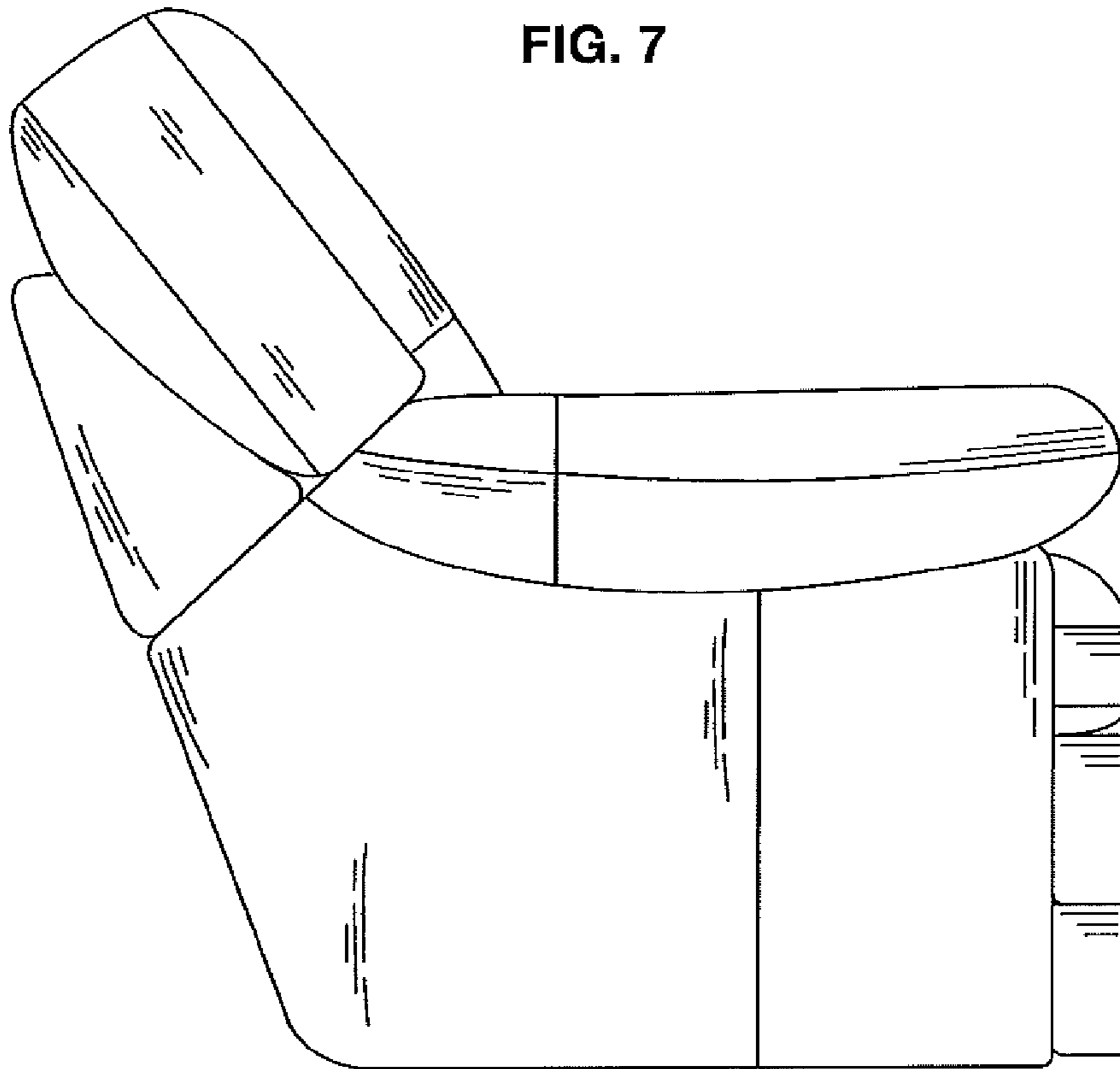


FIG. 8

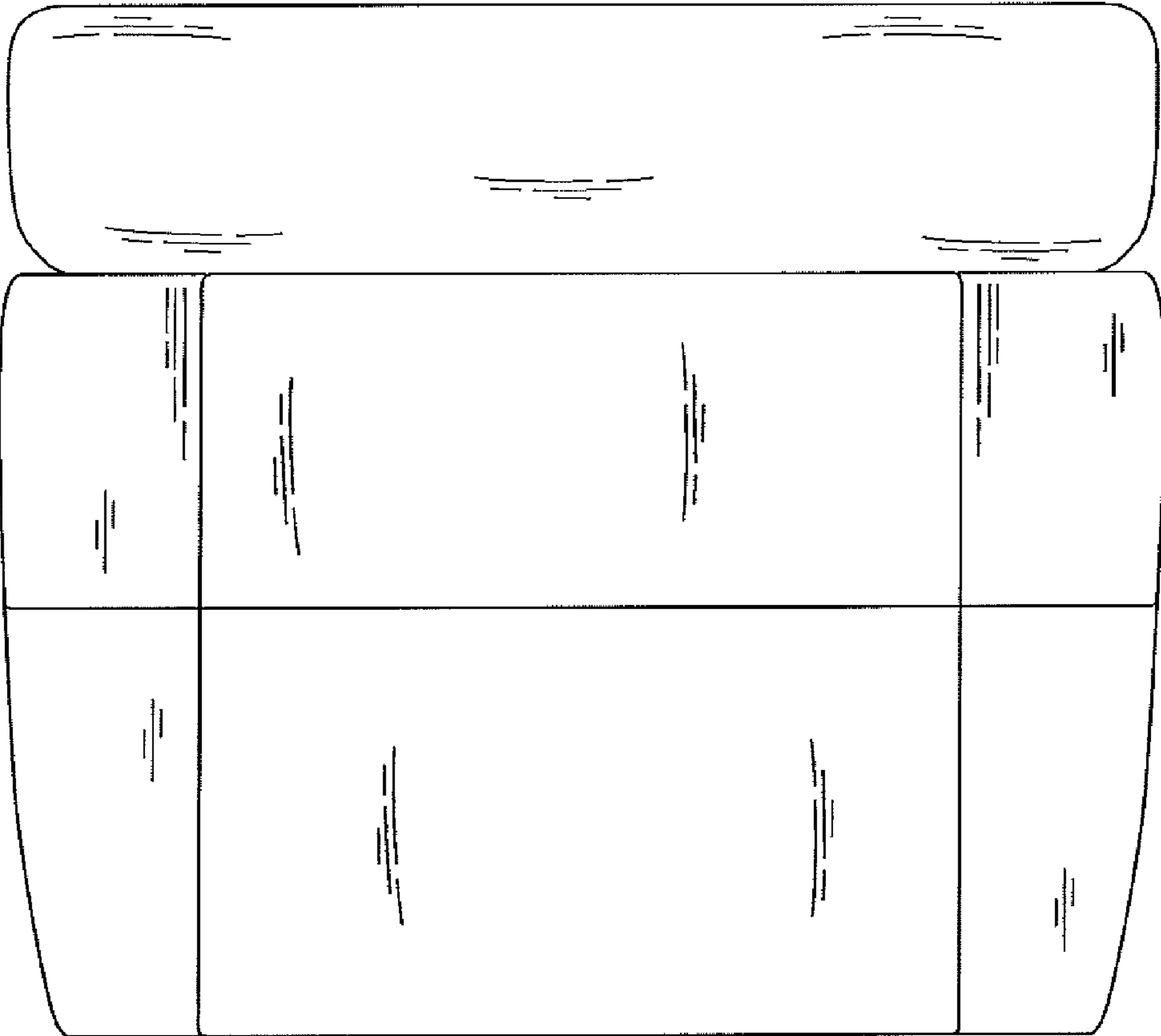


FIG. 9

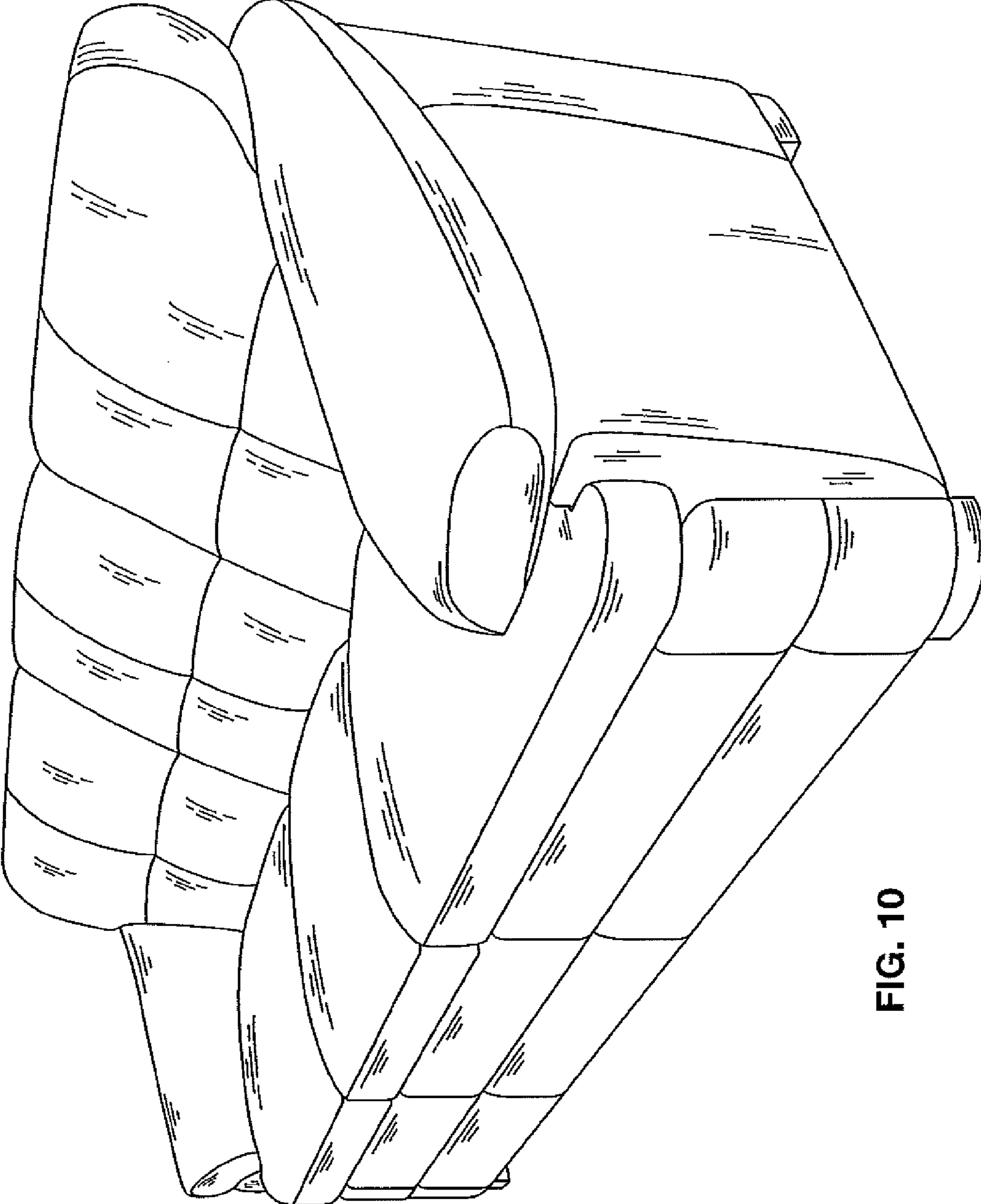


FIG. 10

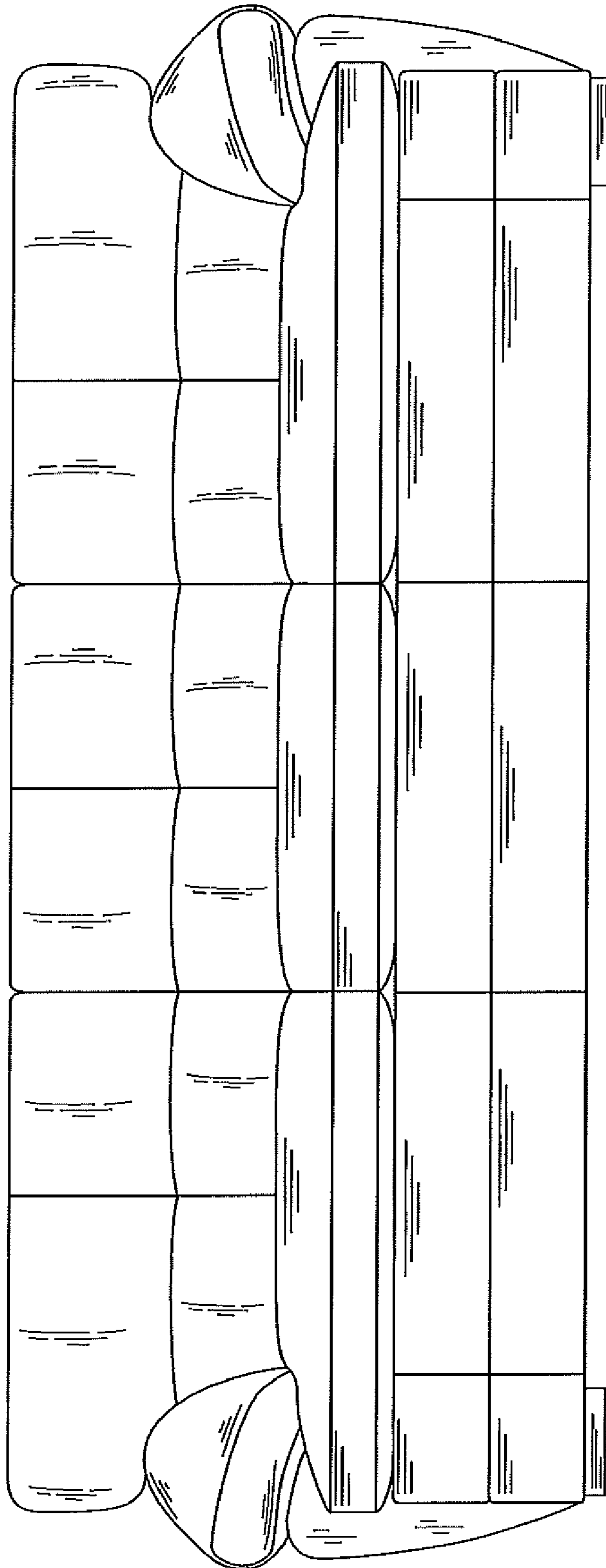


FIG. 11

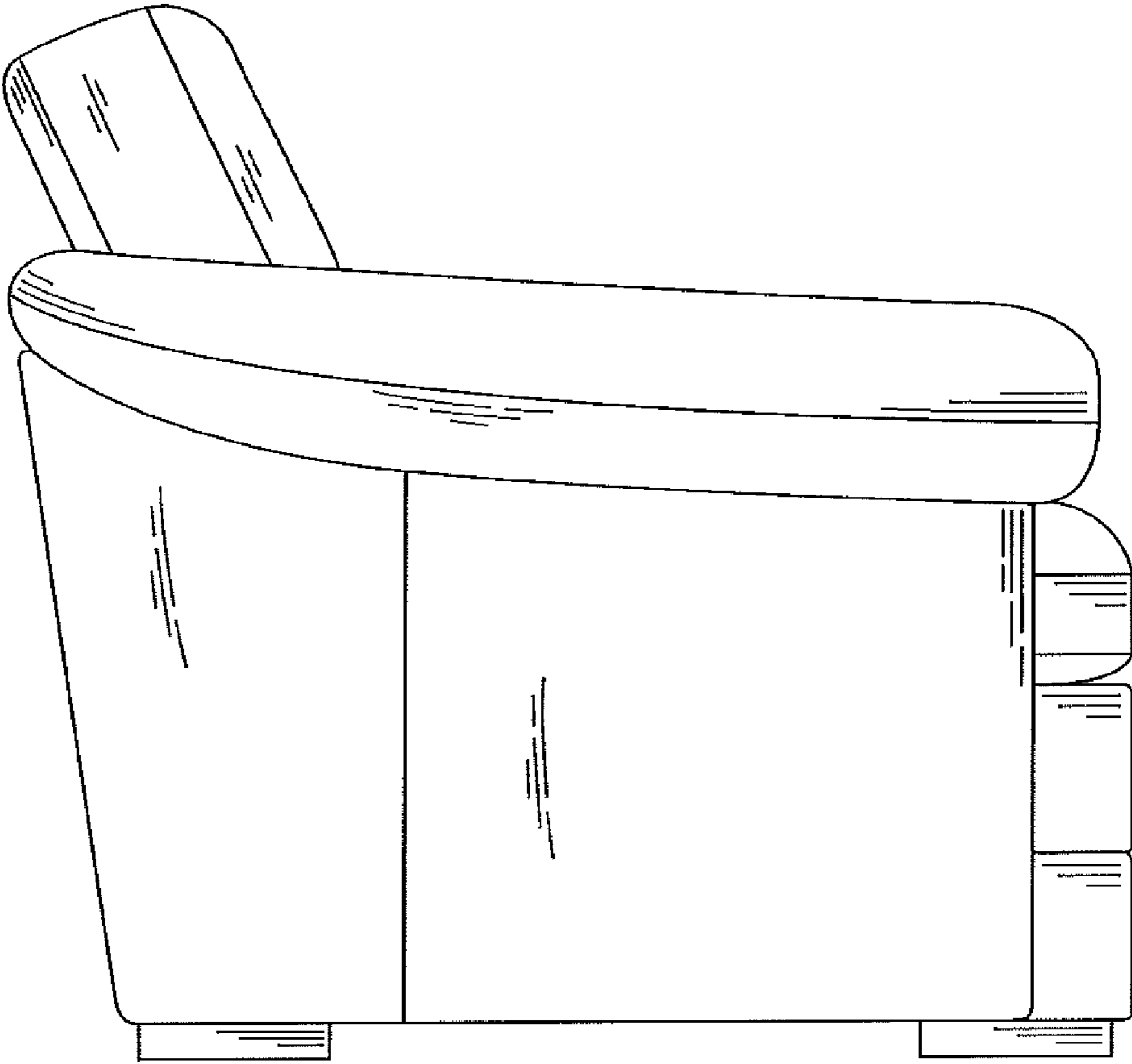


FIG. 12

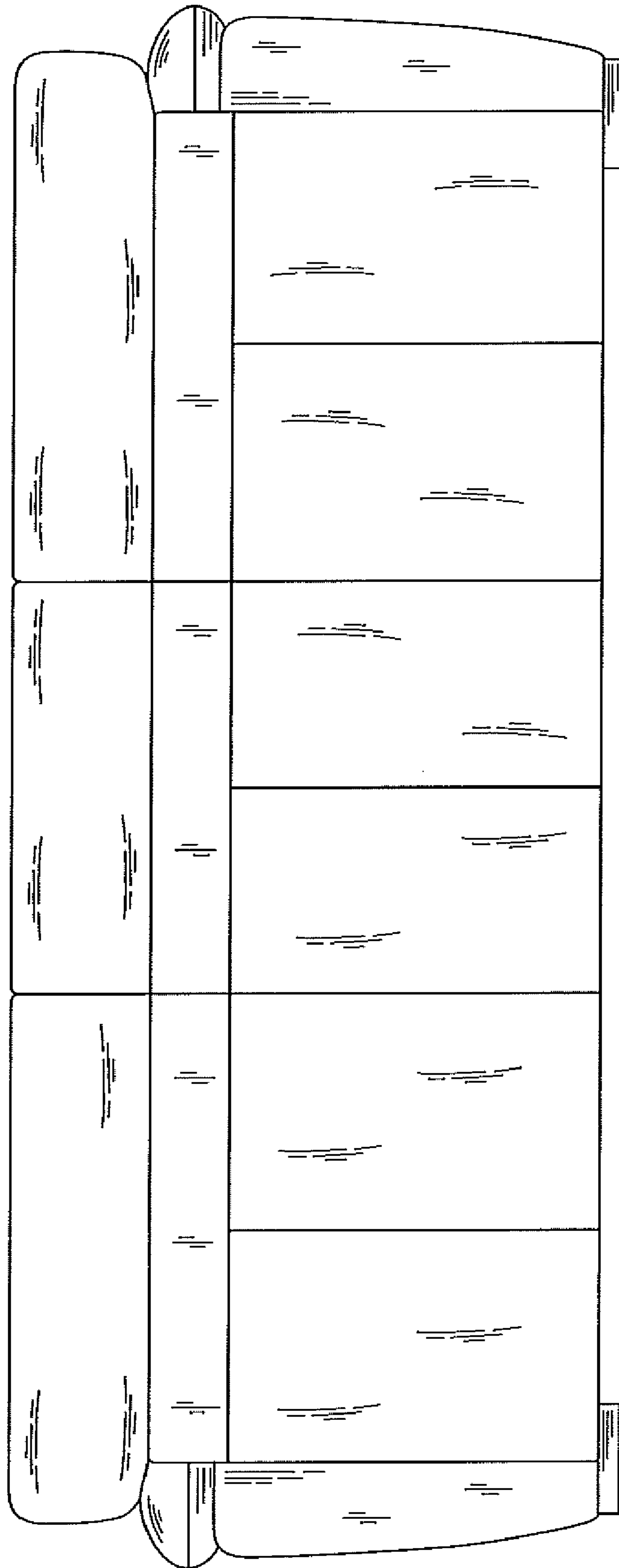


FIG. 13

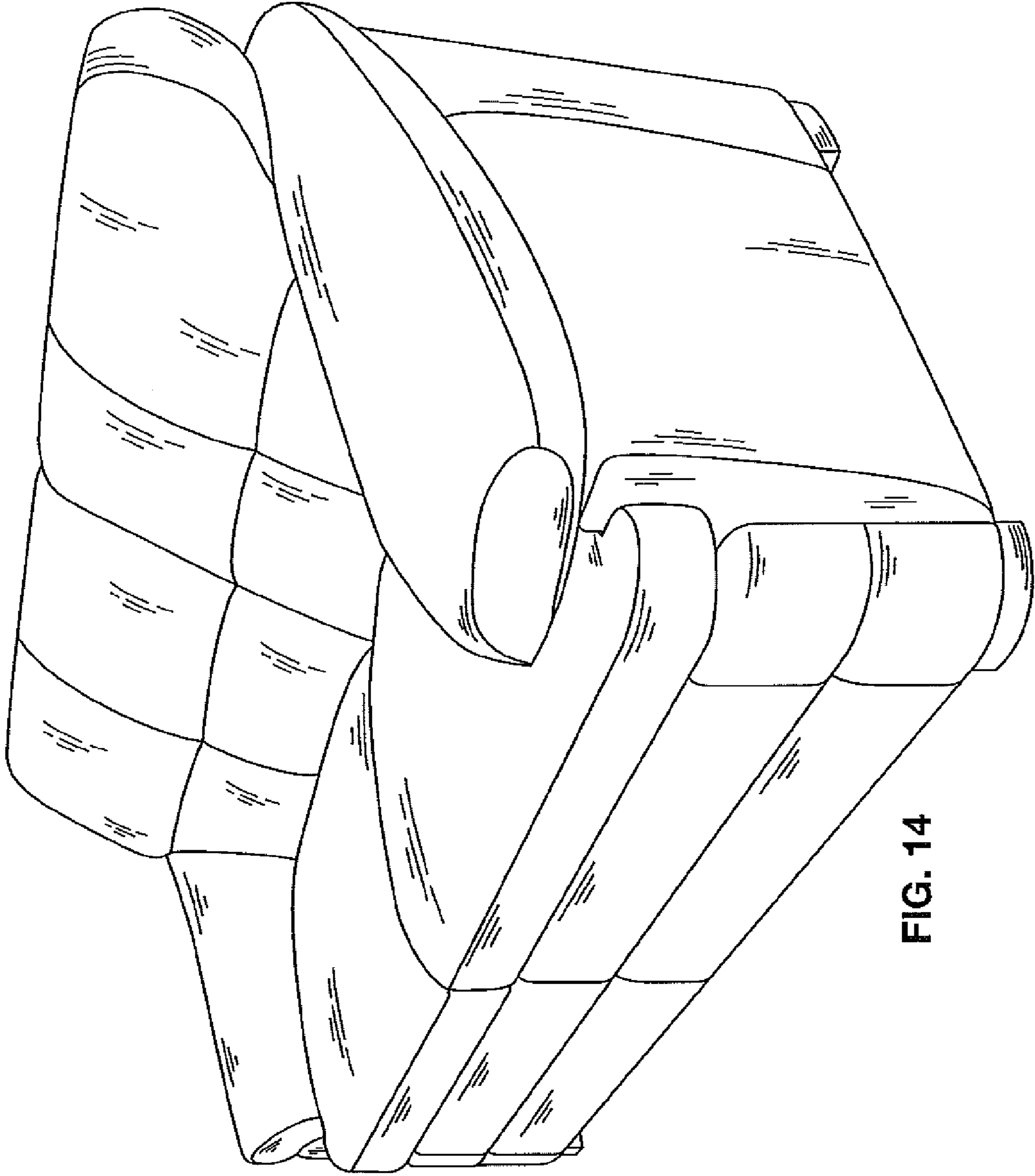


FIG. 14

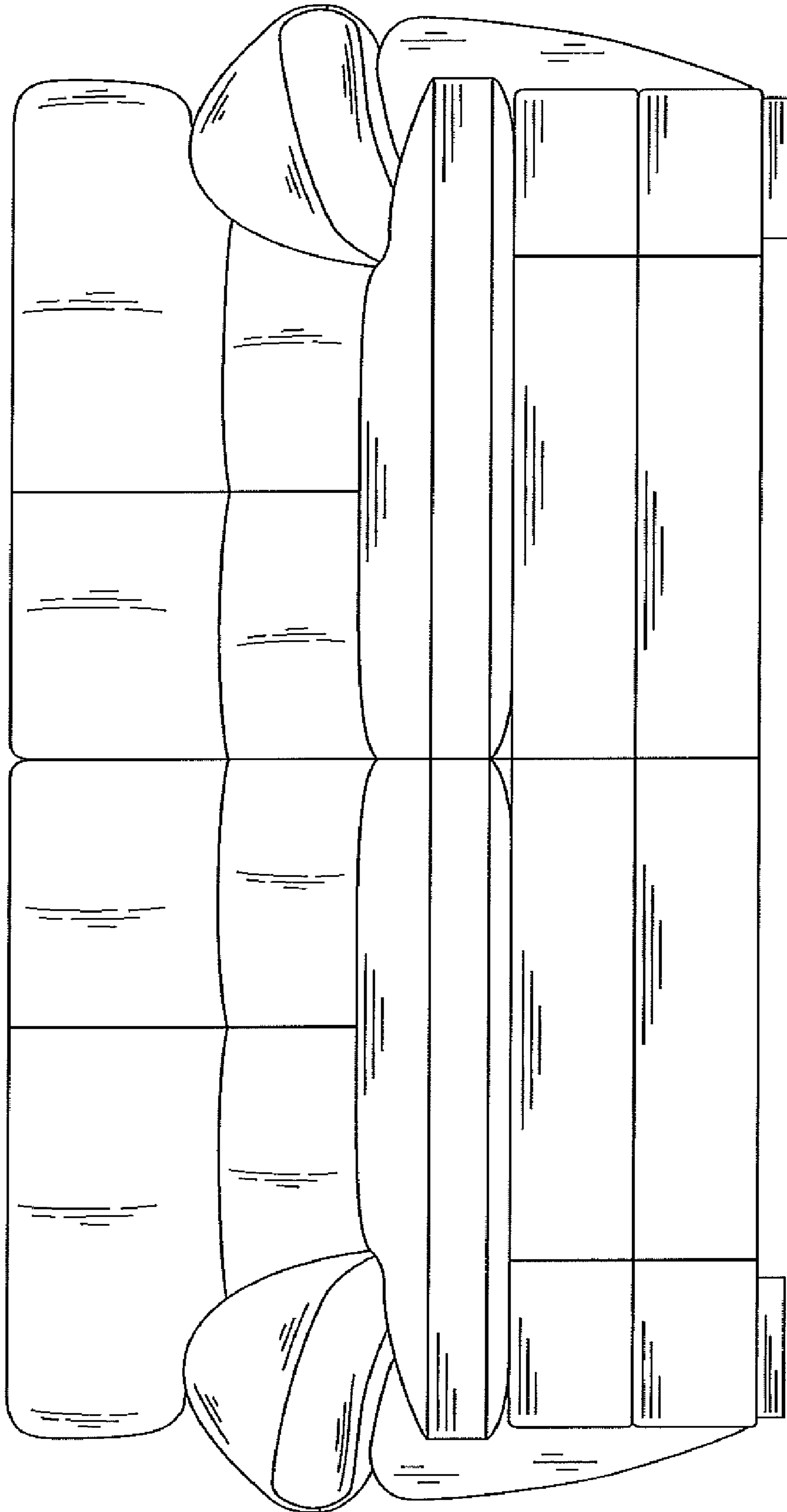


FIG. 15



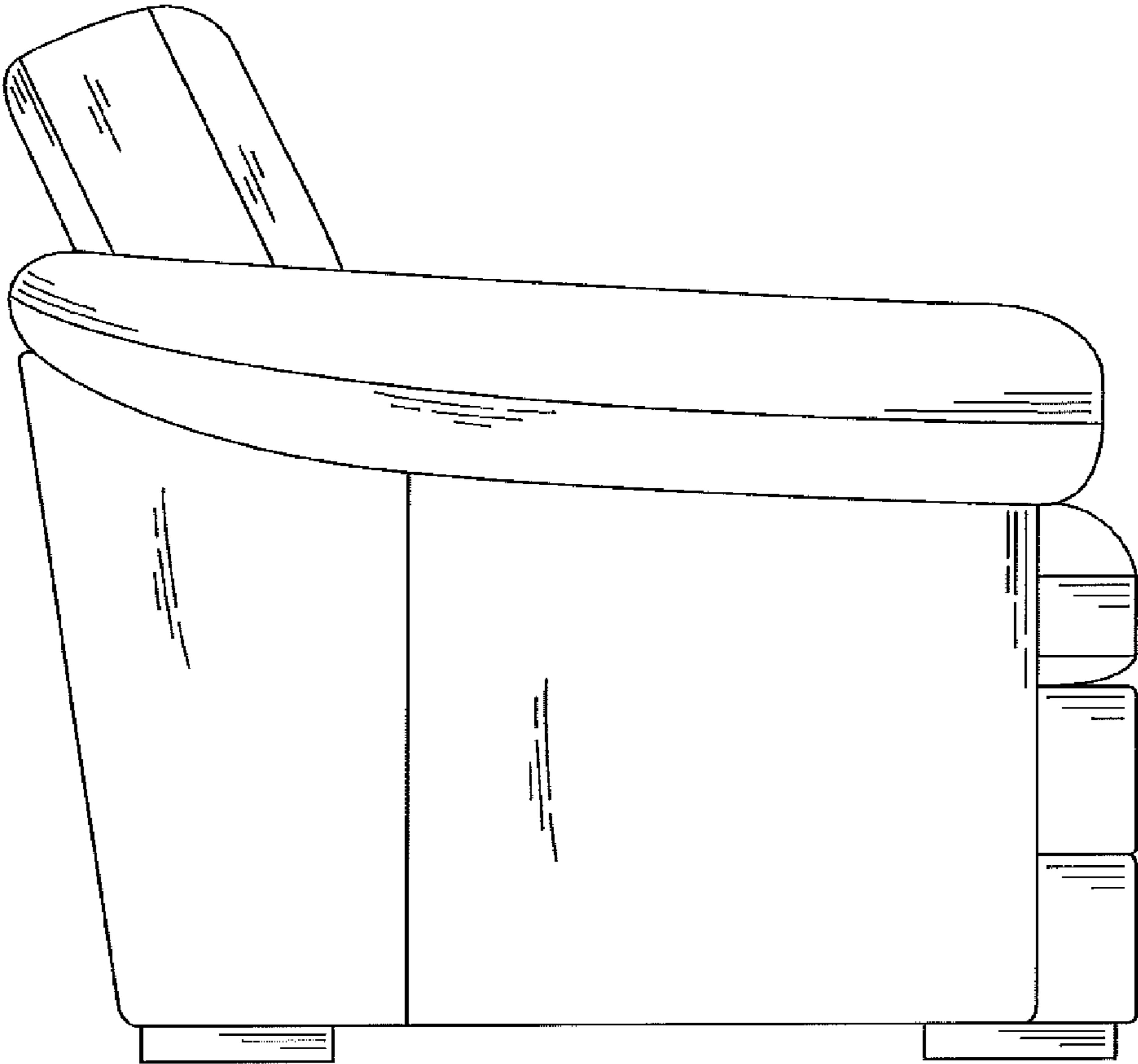


FIG. 16

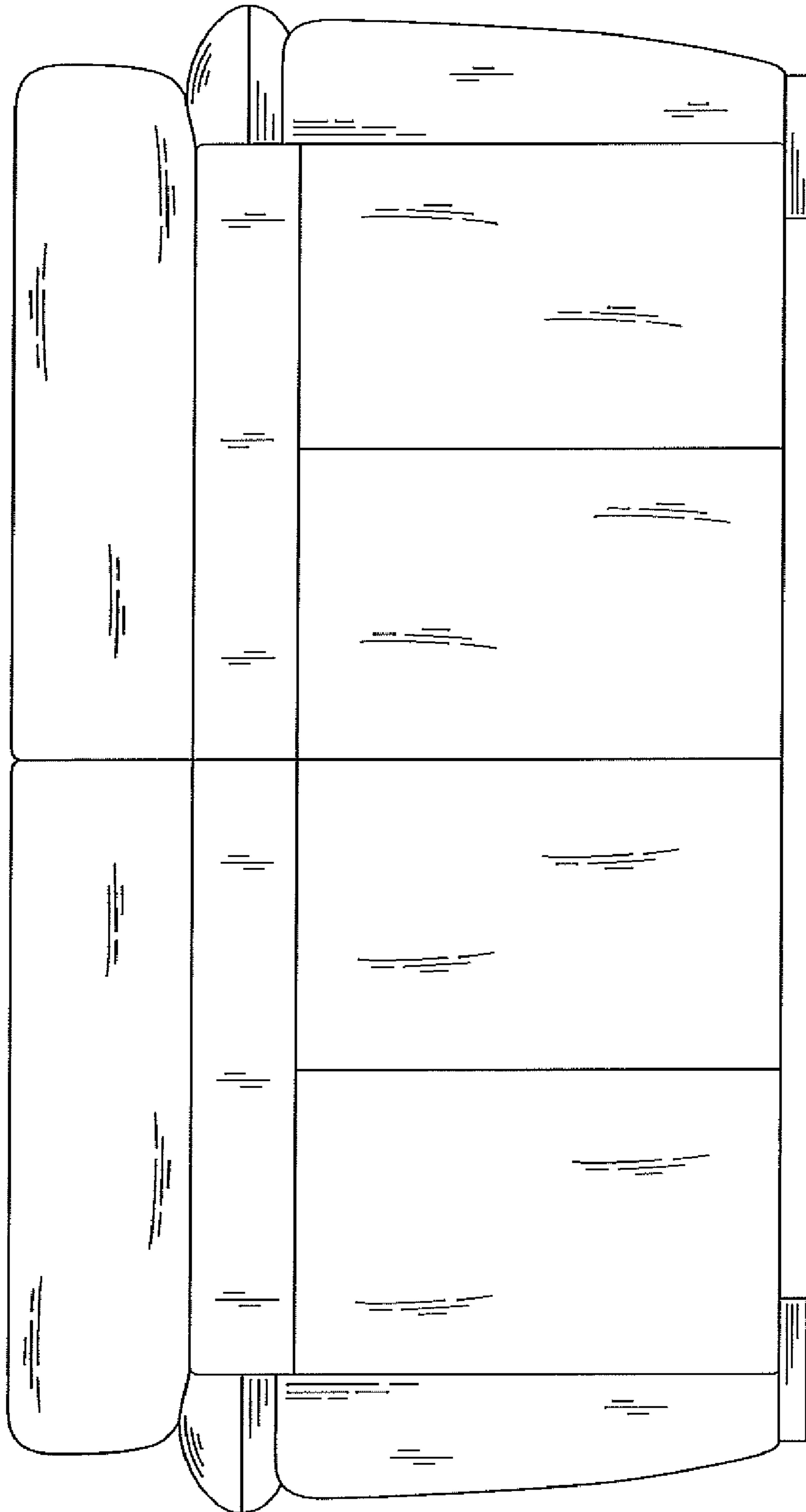


FIG. 17

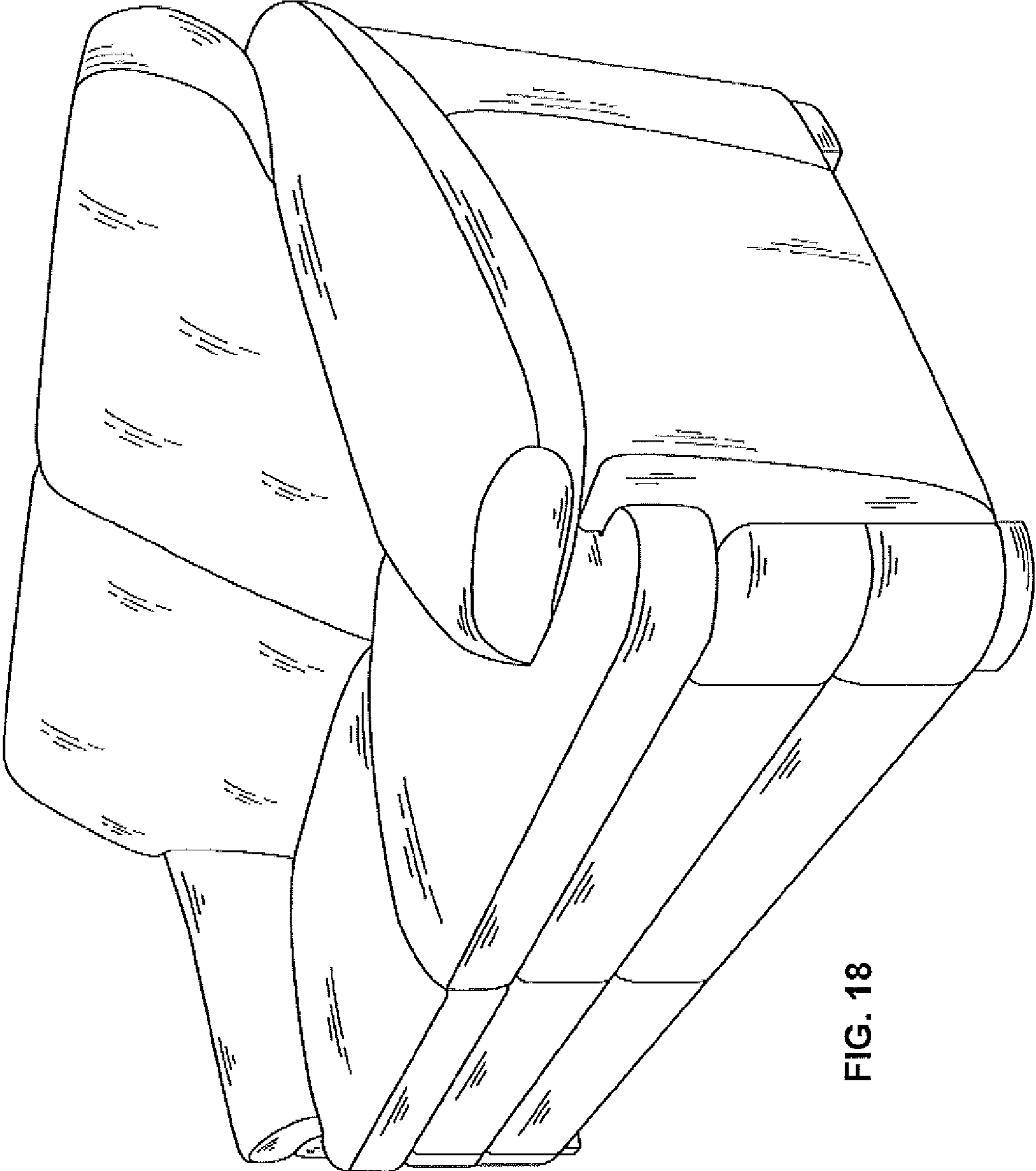


FIG. 18

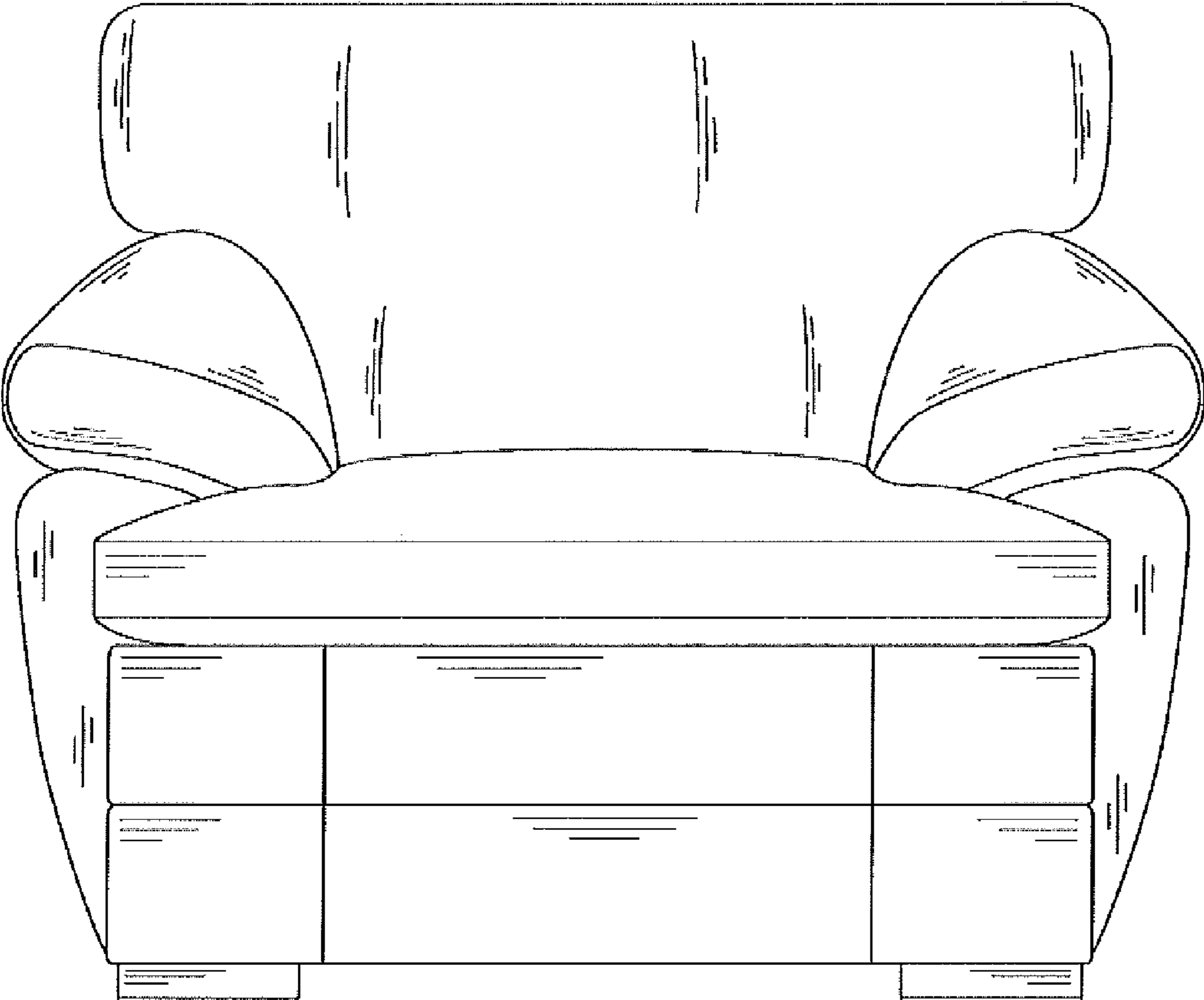


FIG. 19

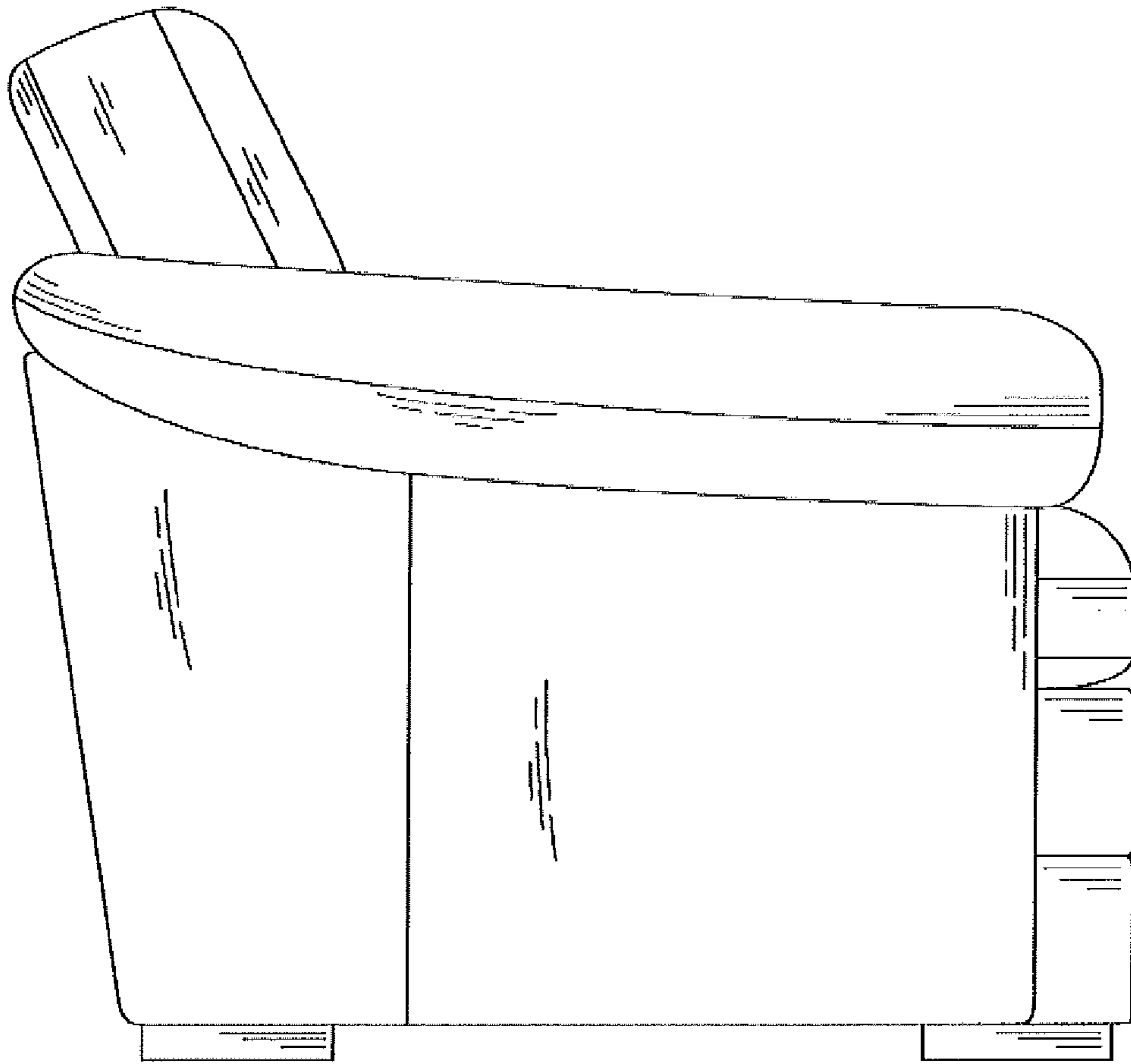


FIG. 20

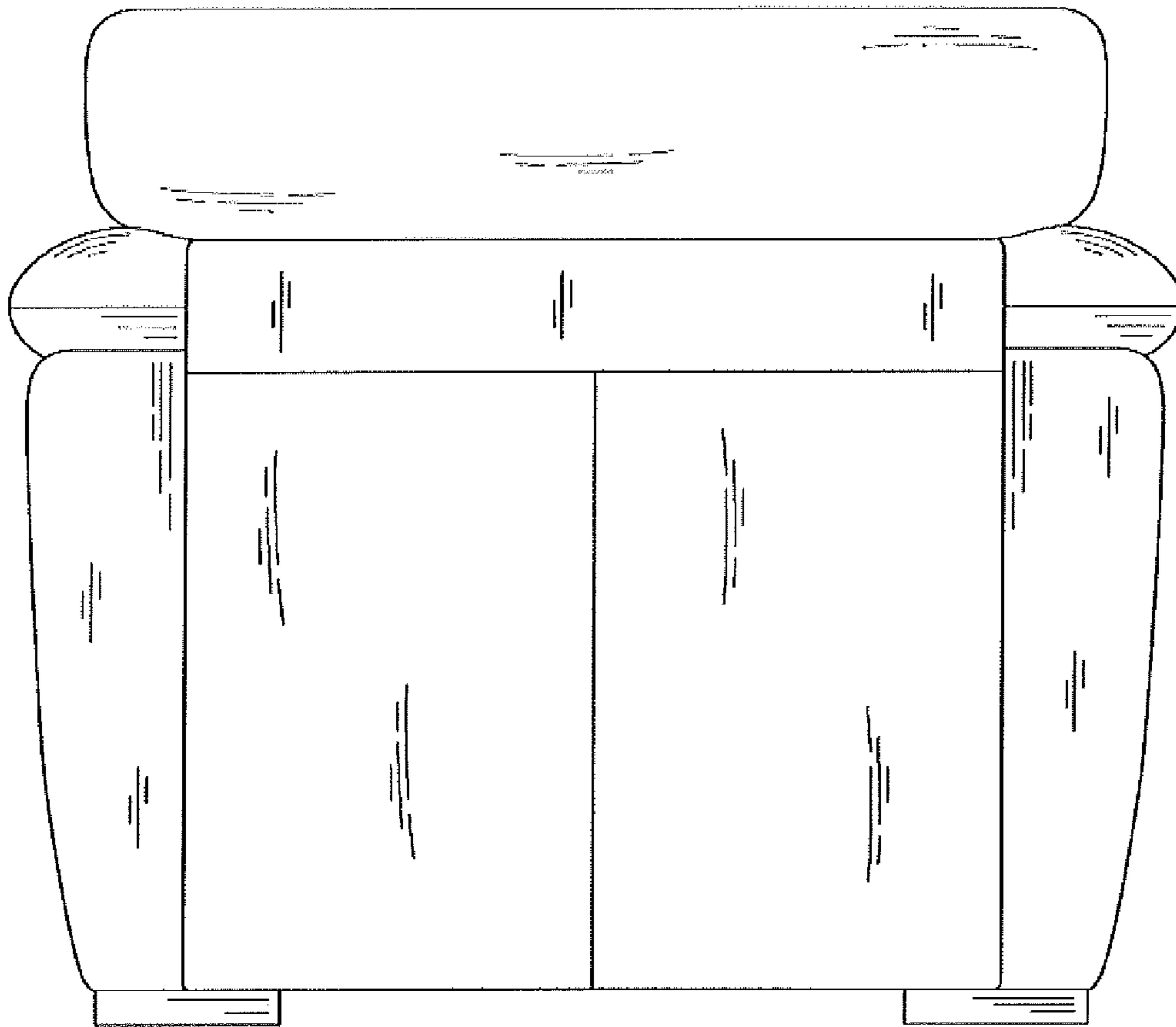


FIG. 21

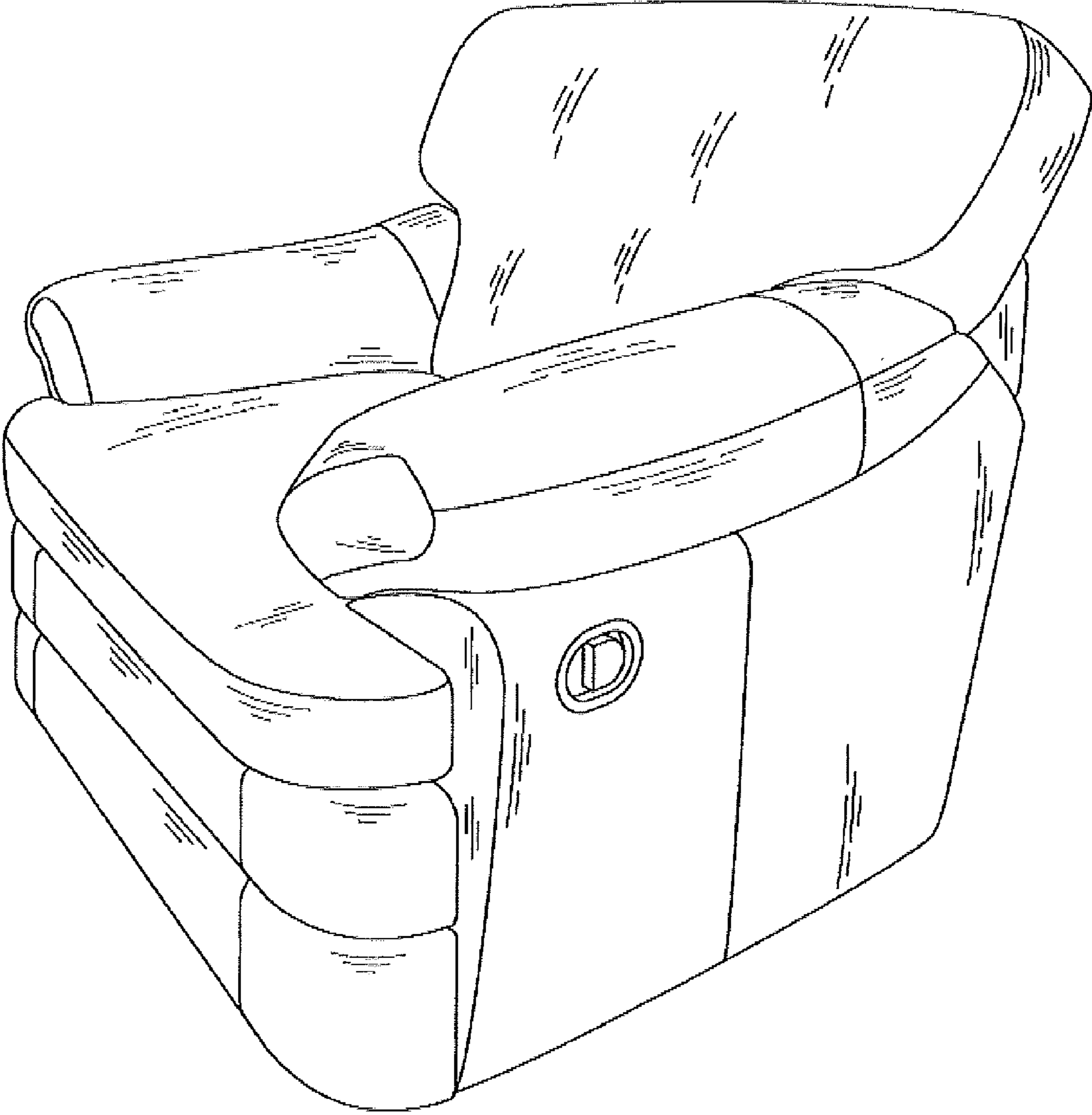


FIG. 22

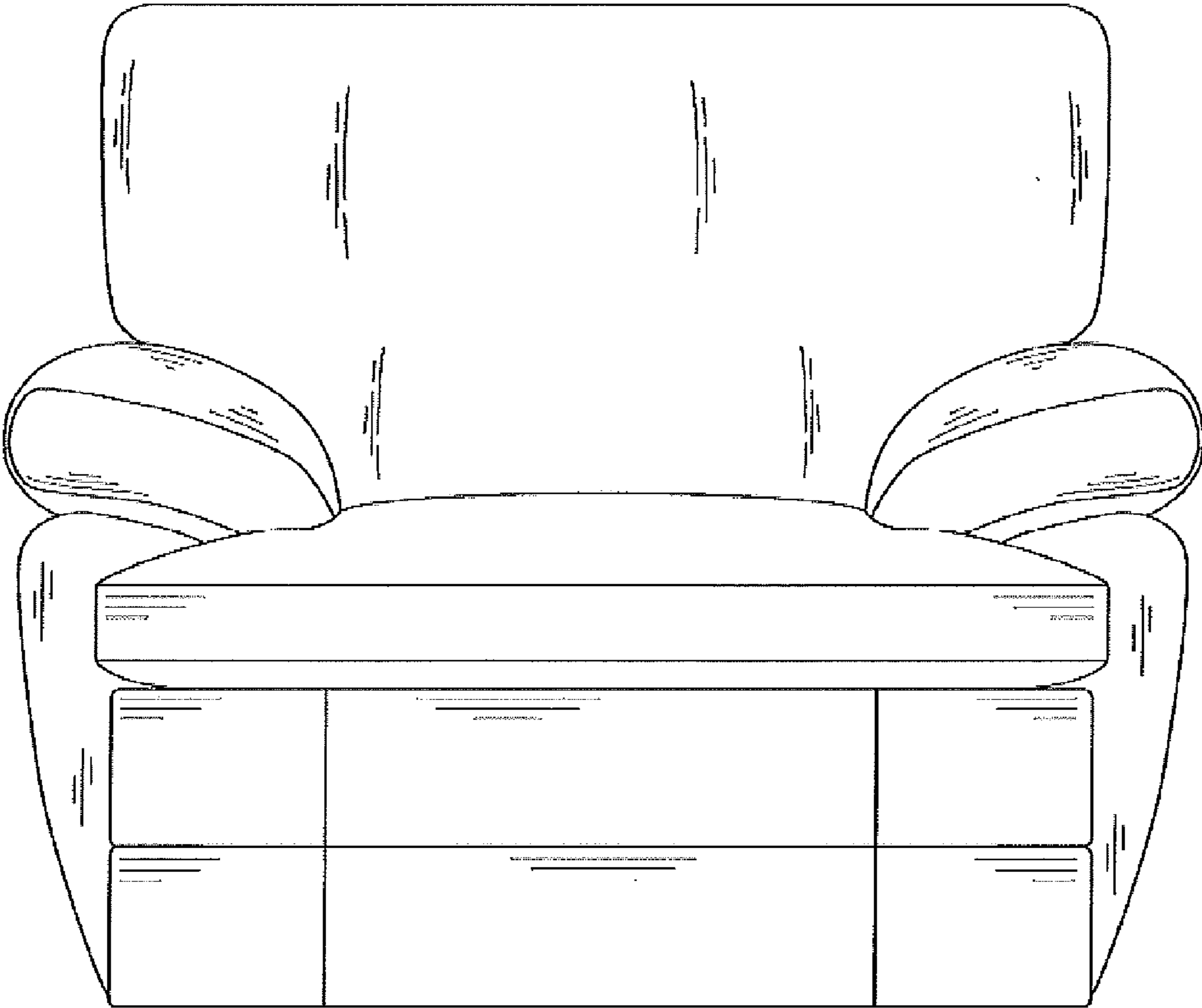


FIG. 23



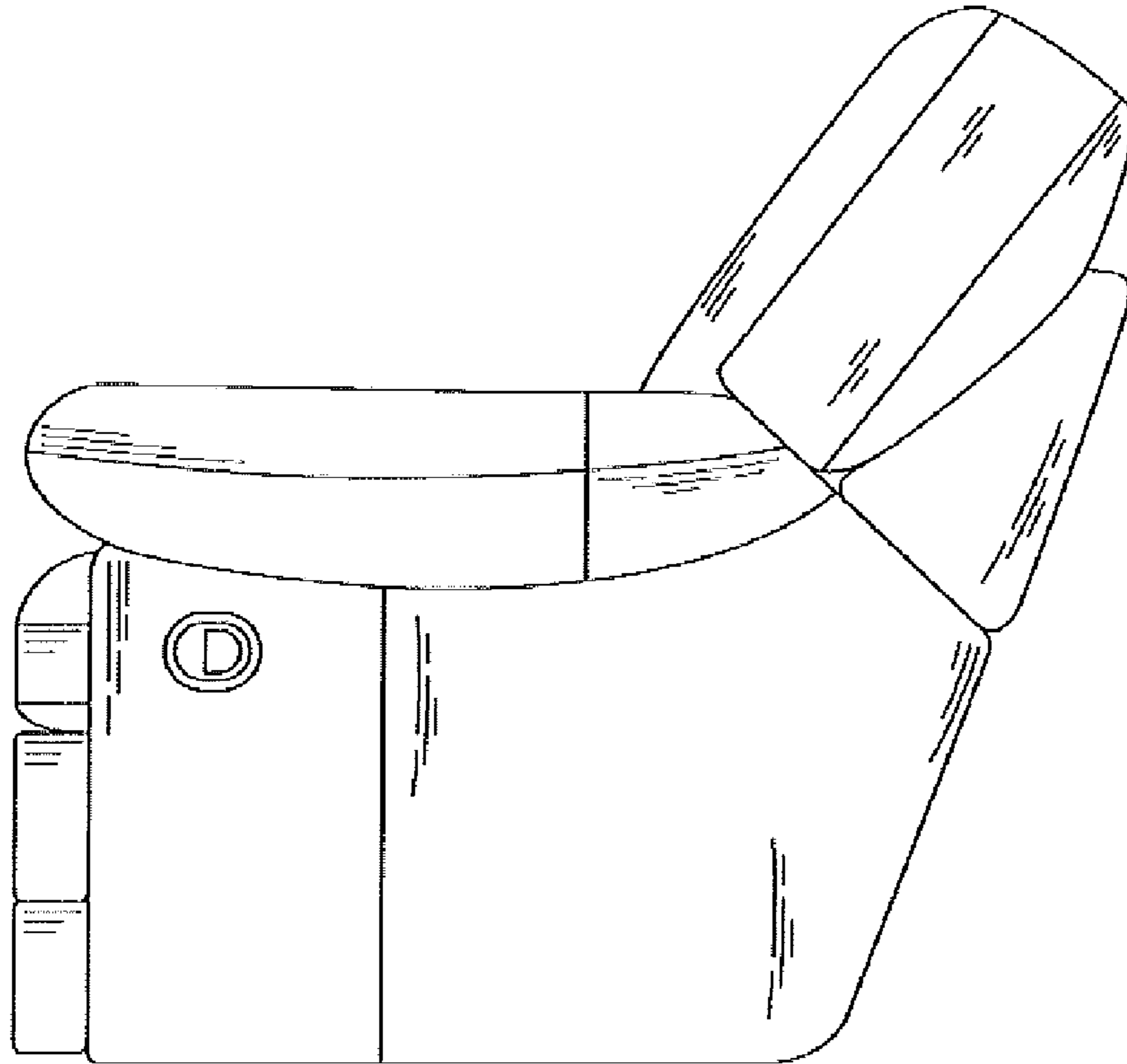


FIG. 24

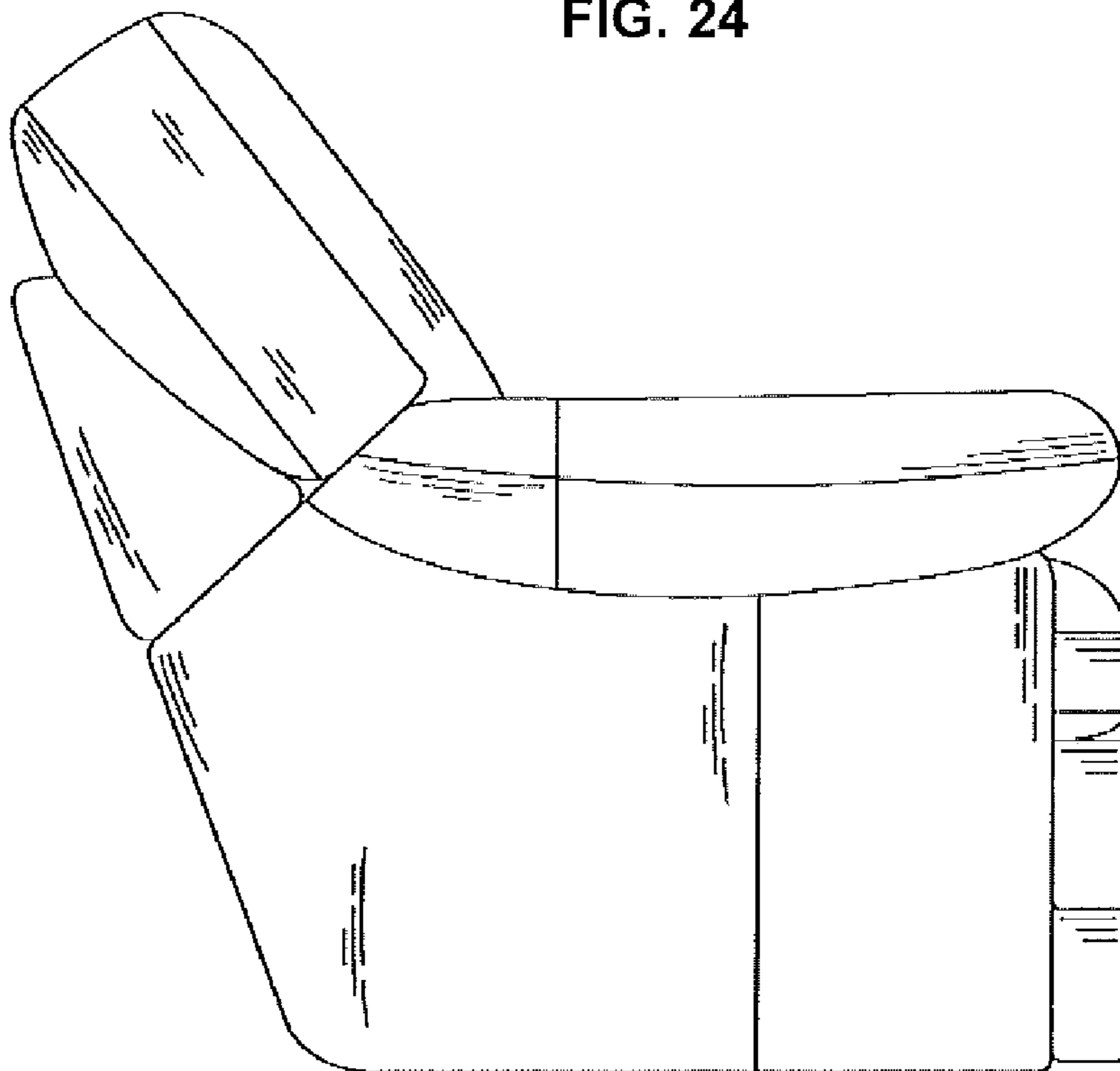


FIG. 25

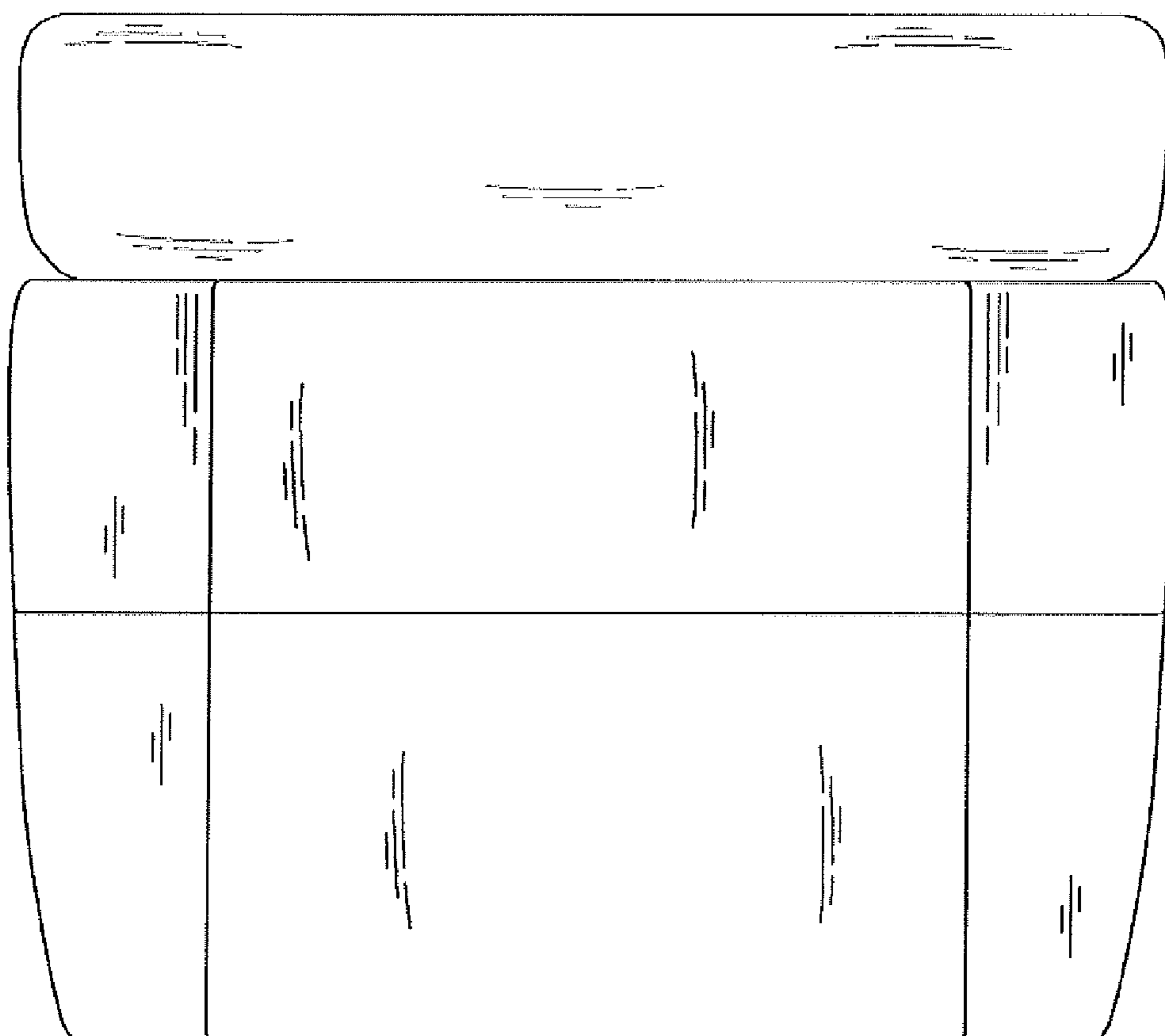


FIG. 26

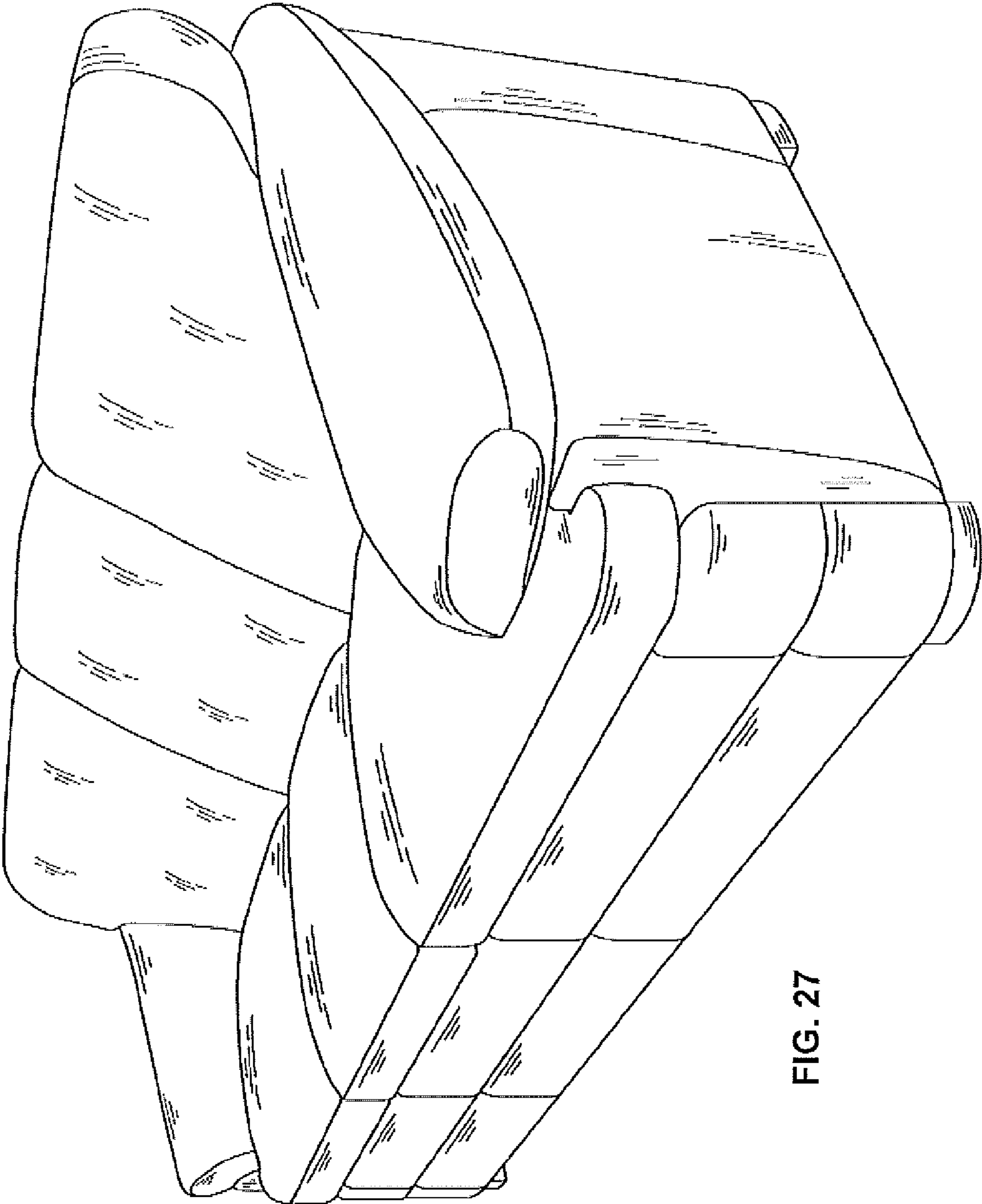


FIG. 27

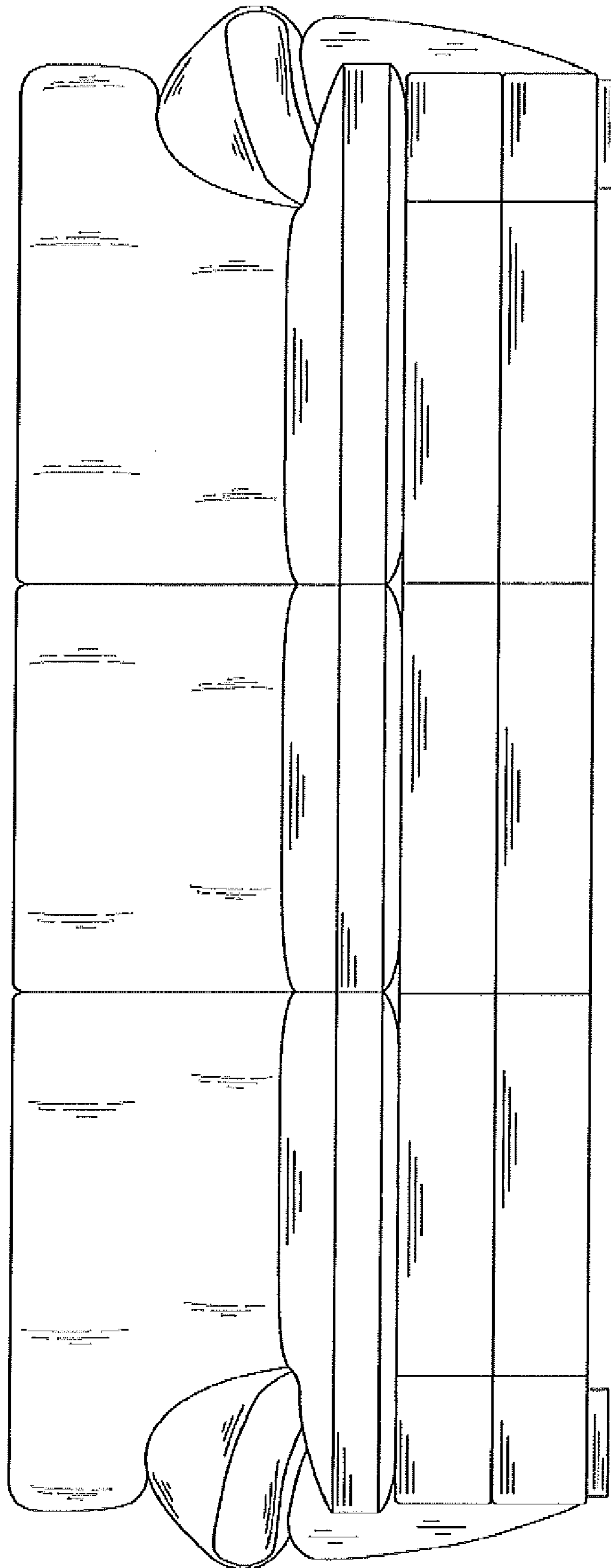


FIG. 28

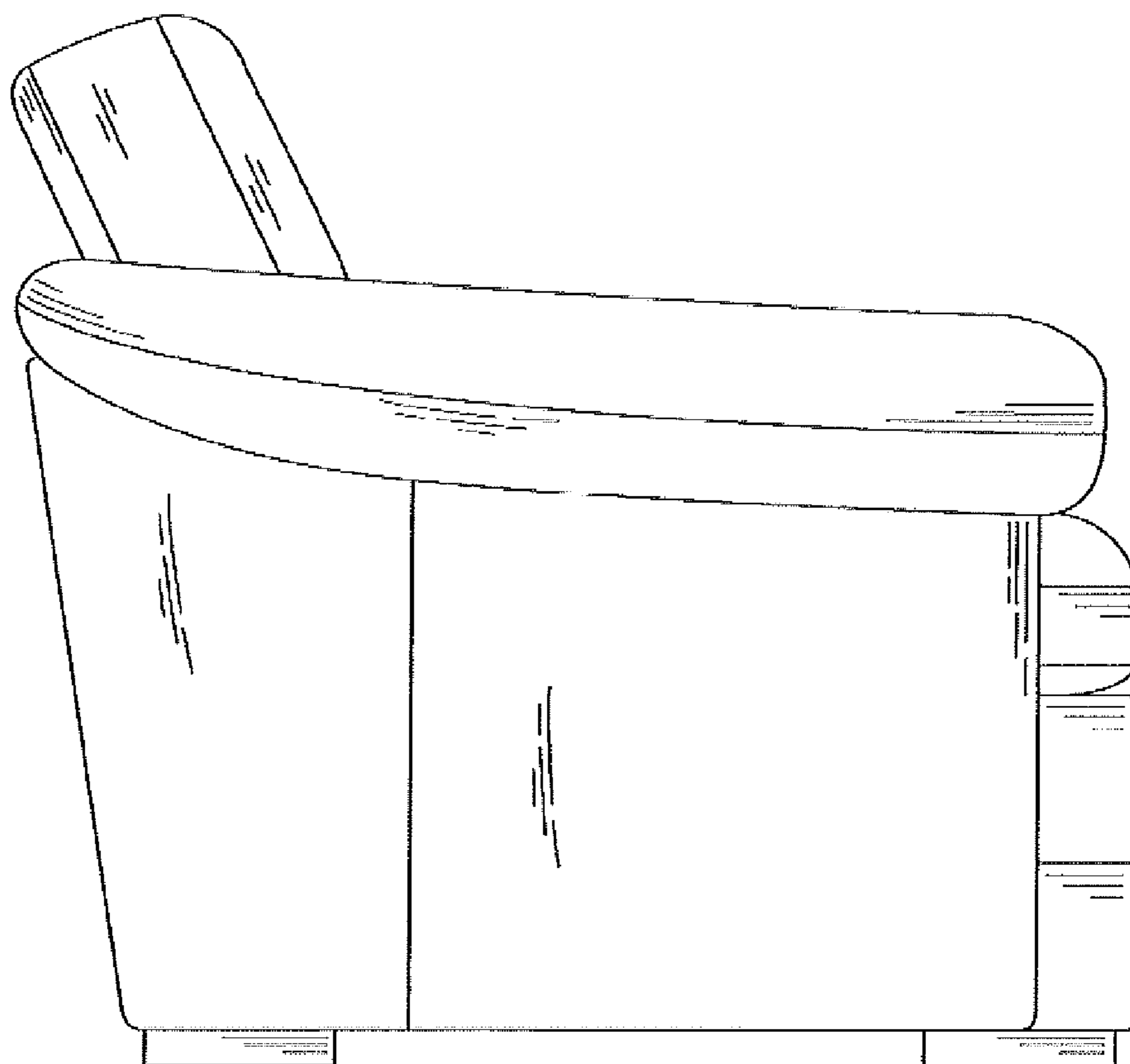


FIG. 29

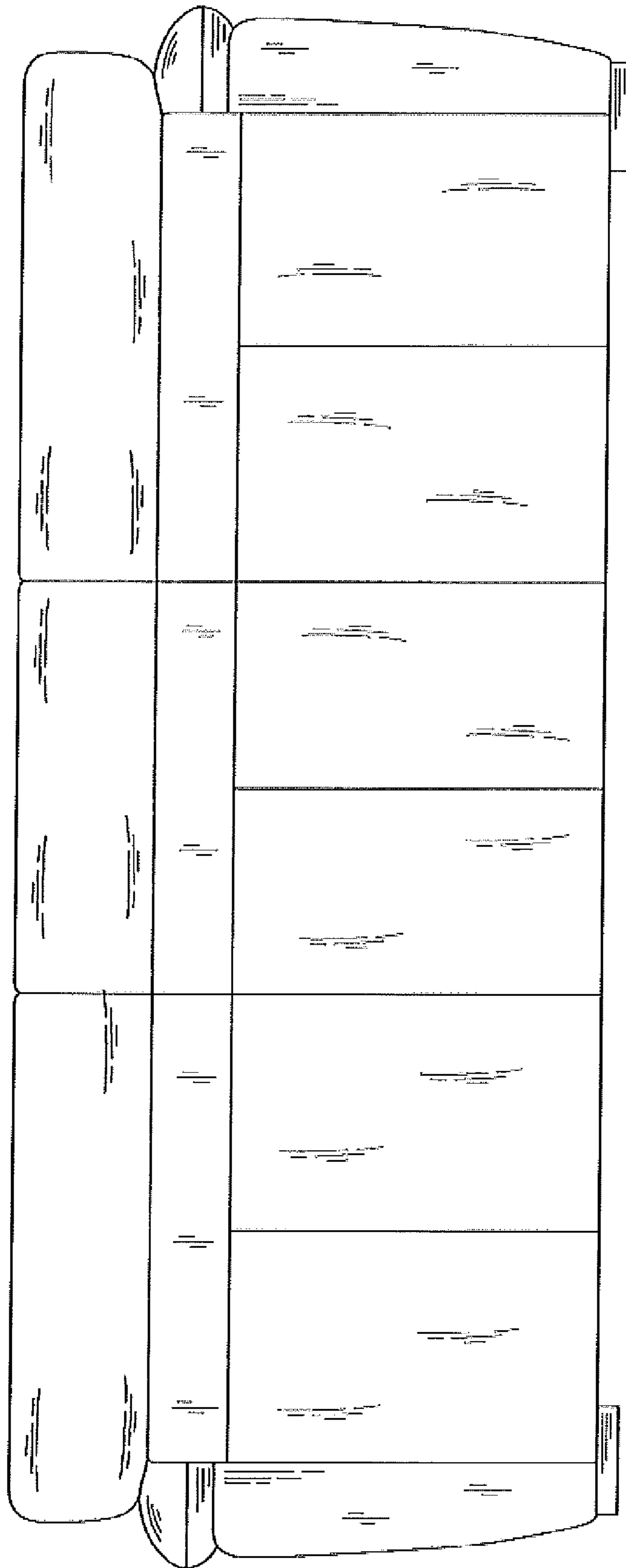


FIG. 30

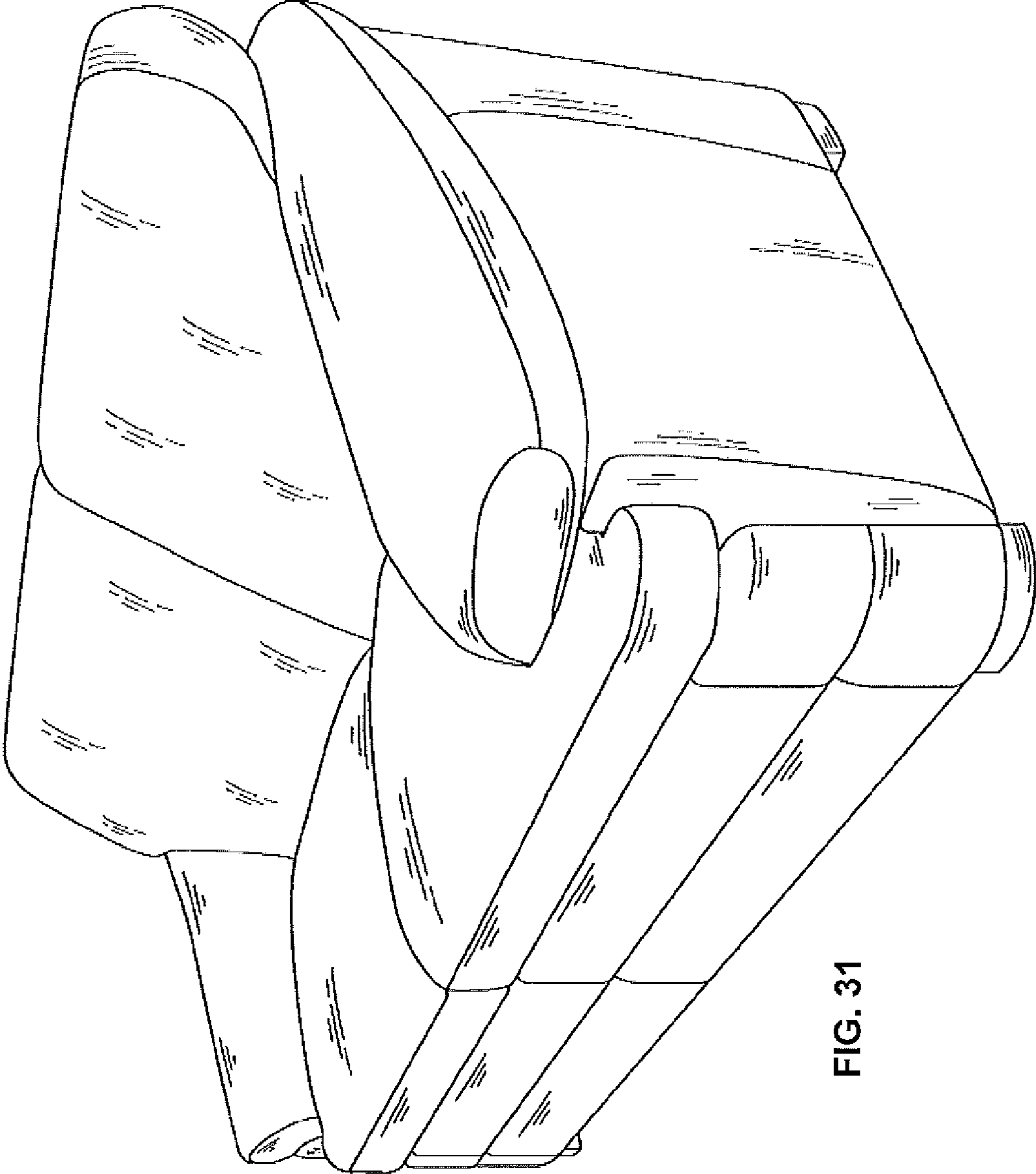


FIG. 31

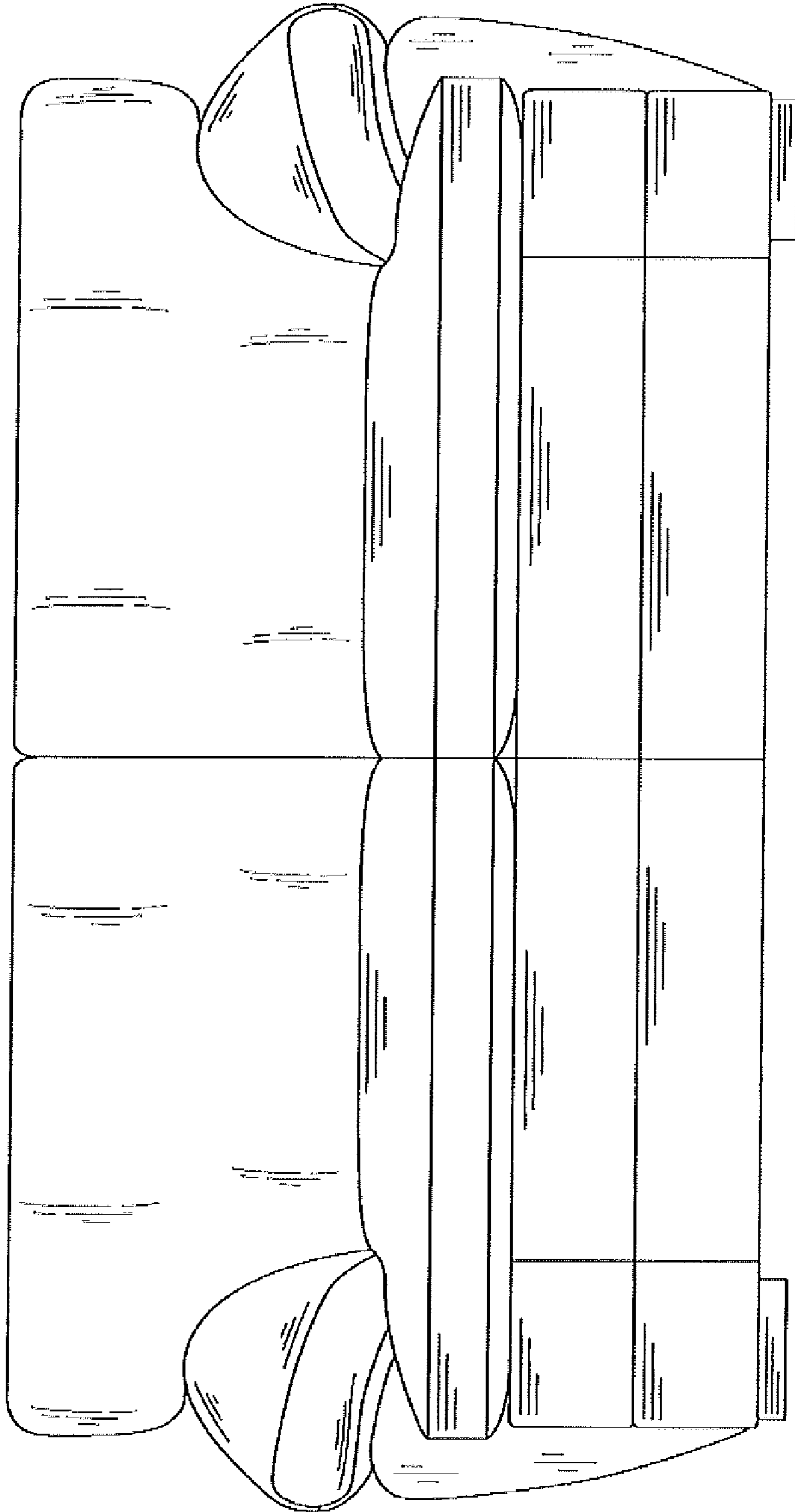


FIG. 32



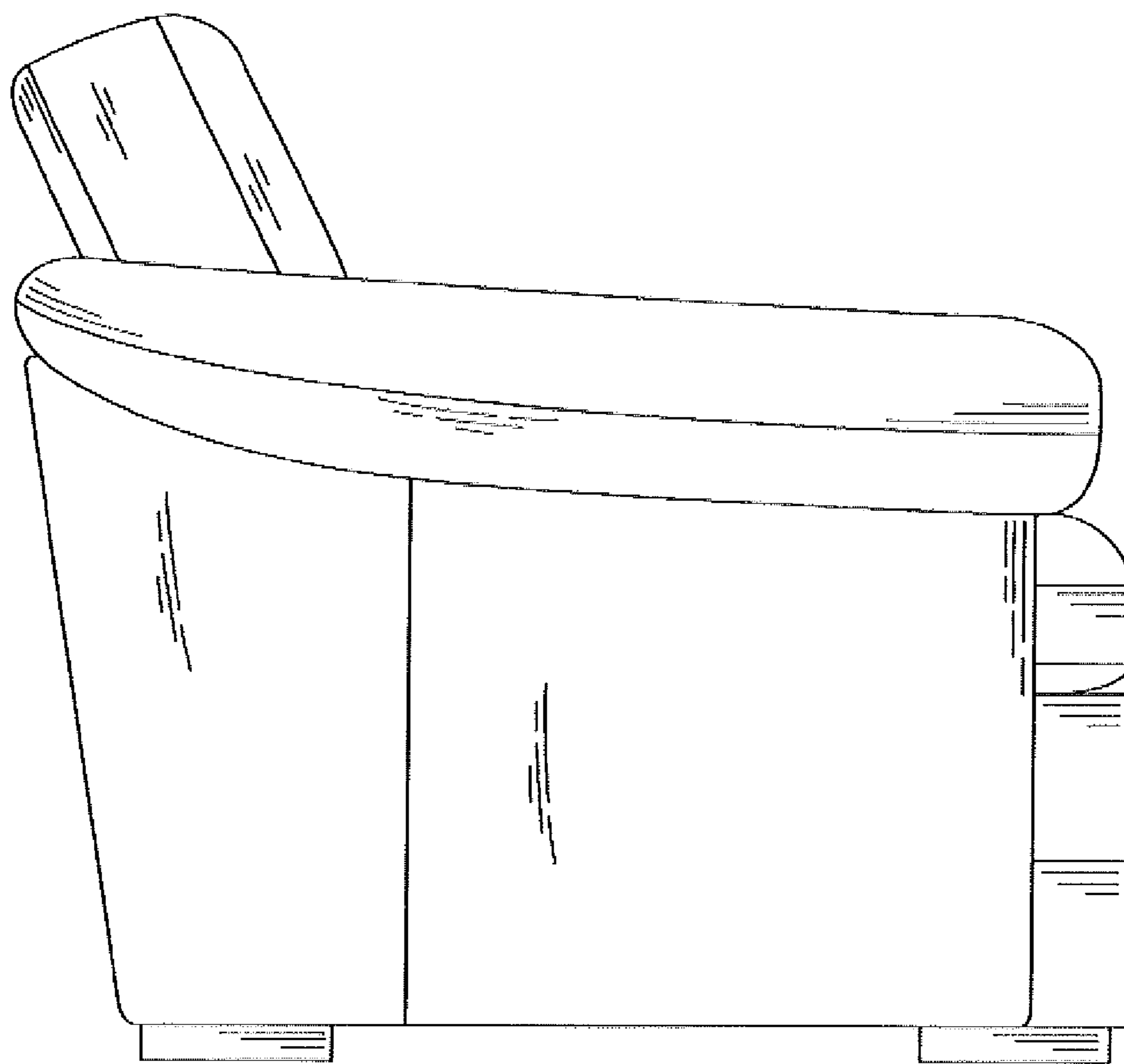


FIG. 33

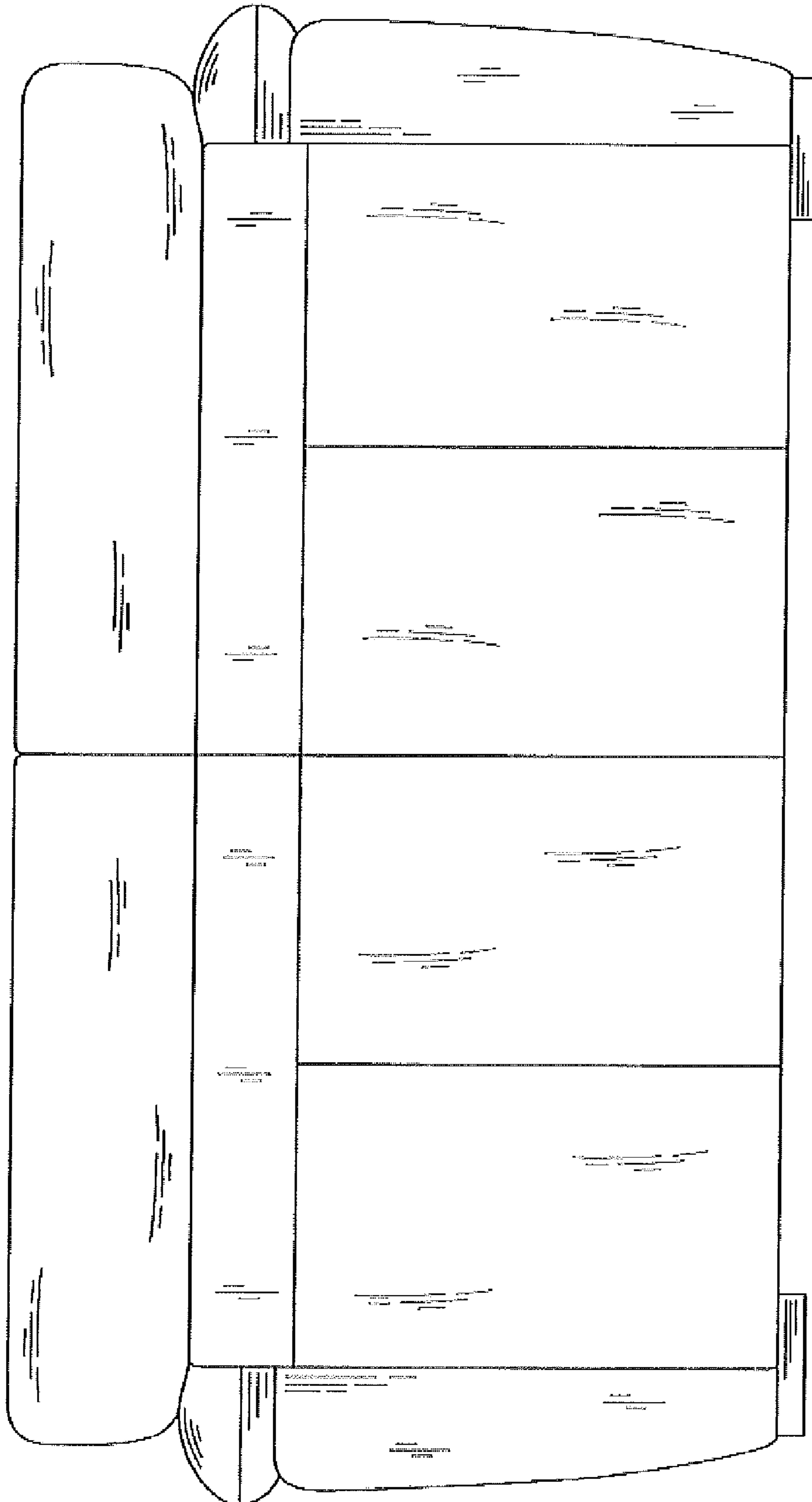


FIG. 34