



US00D639076S

(12) **United States Design Patent**  
**Fukui et al.**

(10) **Patent No.:** **US D639,076 S**  
(45) **Date of Patent:** **\*\* Jun. 7, 2011**

(54) **MIRROR FOR PROJECTOR**

(75) Inventors: **Masayuki Fukui**, Yokohama (JP);  
**Masahiko Yatsu**, Fijisawa (JP);  
**Naoyuki Ogura**, Machida (JP); **Koji Hirata**,  
Yokohama (JP); **Masanori Tsumura**,  
Yokohama (JP)

(73) Assignee: **Hitachi Consumer Electronics Co., Ltd.**,  
Tokyo (JP)

(\*\*) Term: **14 Years**

(21) Appl. No.: **29/380,273**

(22) Filed: **Dec. 2, 2010**

(30) **Foreign Application Priority Data**

Jun. 4, 2010 (JP) ..... 2010-013841

(51) **LOC (9) Cl.** ..... **06-07**

(52) **U.S. Cl.** ..... **D6/300; D16/235**

(58) **Field of Classification Search** ..... D6/300-314;  
D20/42; D16/23; D23/270-274, 303; D25/138,  
D25/16; D12/345, 319; 4/662-665, 210,  
4/670; 244/118.5

See application file for complete search history.

(56) **References Cited**

**U.S. PATENT DOCUMENTS**

D336,931	S	*	6/1993	McDonald	.....	D20/42
D499,253	S	*	12/2004	Gentry	.....	D6/300
D534,003	S	*	12/2006	McNally	.....	D6/300
D593,333	S	*	6/2009	Bock et al.	.....	D6/300
D605,408	S	*	12/2009	Bock et al.	.....	D6/300
D605,409	S	*	12/2009	Bock et al.	.....	D6/300
D605,410	S	*	12/2009	Bock et al.	.....	D6/300
D605,411	S	*	12/2009	Bock et al.	.....	D6/300

D605,412	S	*	12/2009	Bock et al.	.....	D6/300
D605,413	S	*	12/2009	Bock et al.	.....	D6/300
D605,858	S	*	12/2009	Bock et al.	.....	D6/300
2008/0204673	A1		8/2008	Hirata et al.		

**OTHER PUBLICATIONS**

Wilkins International Pty. Ltd, [www.wilkinsinternational.com.au/projectors.php](http://www.wilkinsinternational.com.au/projectors.php), Deflector mirror, Apr. 7, 2011.\*

Telon Projection technology Co. Ltd, [www.telonscreen.com/products\\_detail.asp?id=853](http://www.telonscreen.com/products_detail.asp?id=853), Rear projection system, Apr. 7, 2011.\*

Hitachi, [www.hitachiconsumer.com/sg/products\\_details.aspx?oid=2430](http://www.hitachiconsumer.com/sg/products_details.aspx?oid=2430), CP-A100.\*

Hitachi Catalog "LCD Projectors Total Catalog Nov. 2008", Publisher: Hitachi, dated Nov. 2008.

\* cited by examiner

*Primary Examiner* — Phillip S Hyder

*Assistant Examiner* — Sydney Buffalow

(74) *Attorney, Agent, or Firm* — Antonelli, Terry, Stout & Kraus, LLP.

(57) **CLAIM**

We claim the ornamental design for a mirror for projector, as shown.

**DESCRIPTION**

FIG. 1 is a front, top and right side perspective view of a mirror for projector showing our new design;

FIG. 2 is a front elevational view thereof;

FIG. 3 is a rear elevational view thereof;

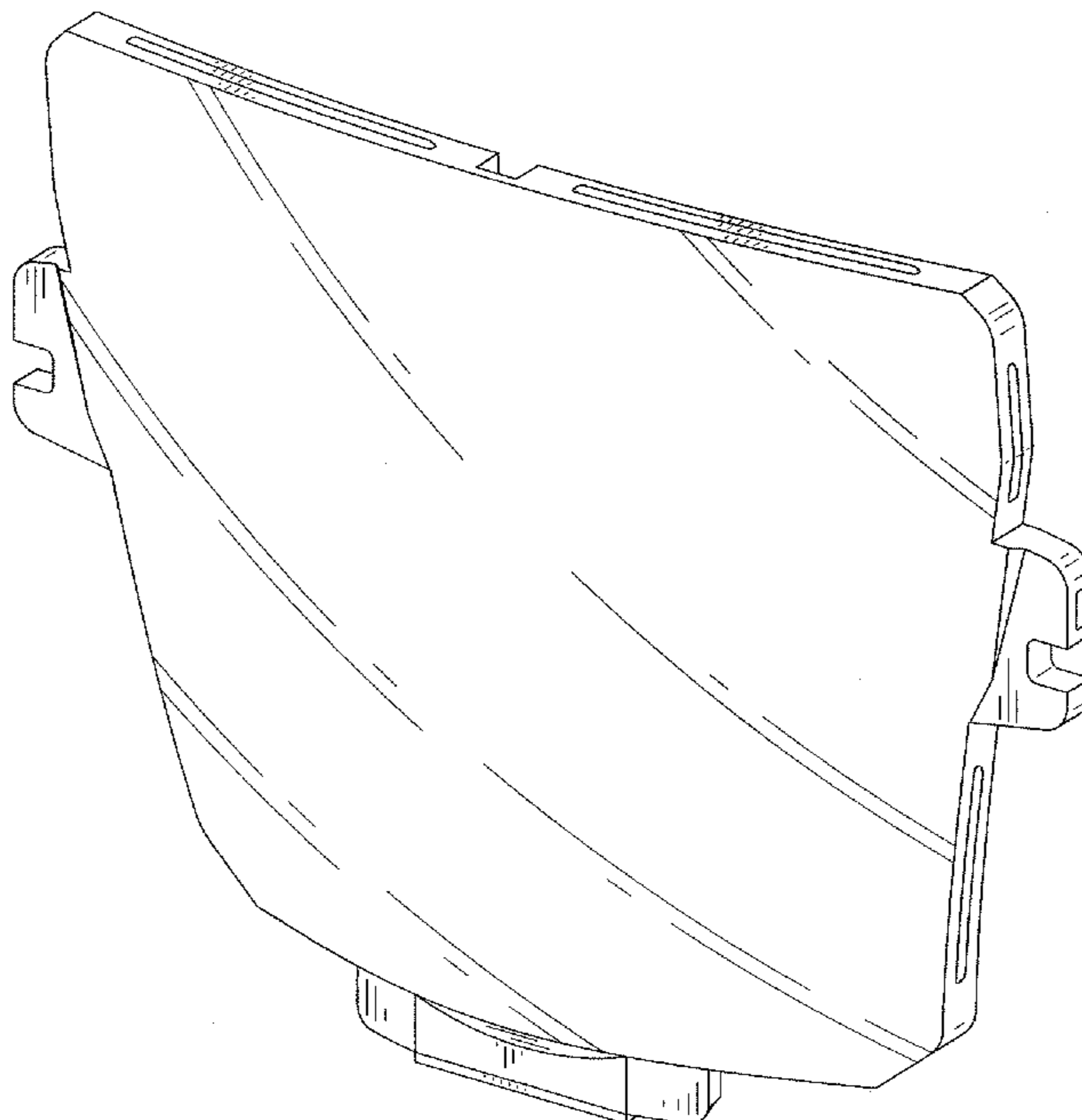
FIG. 4 is a top plan view thereof;

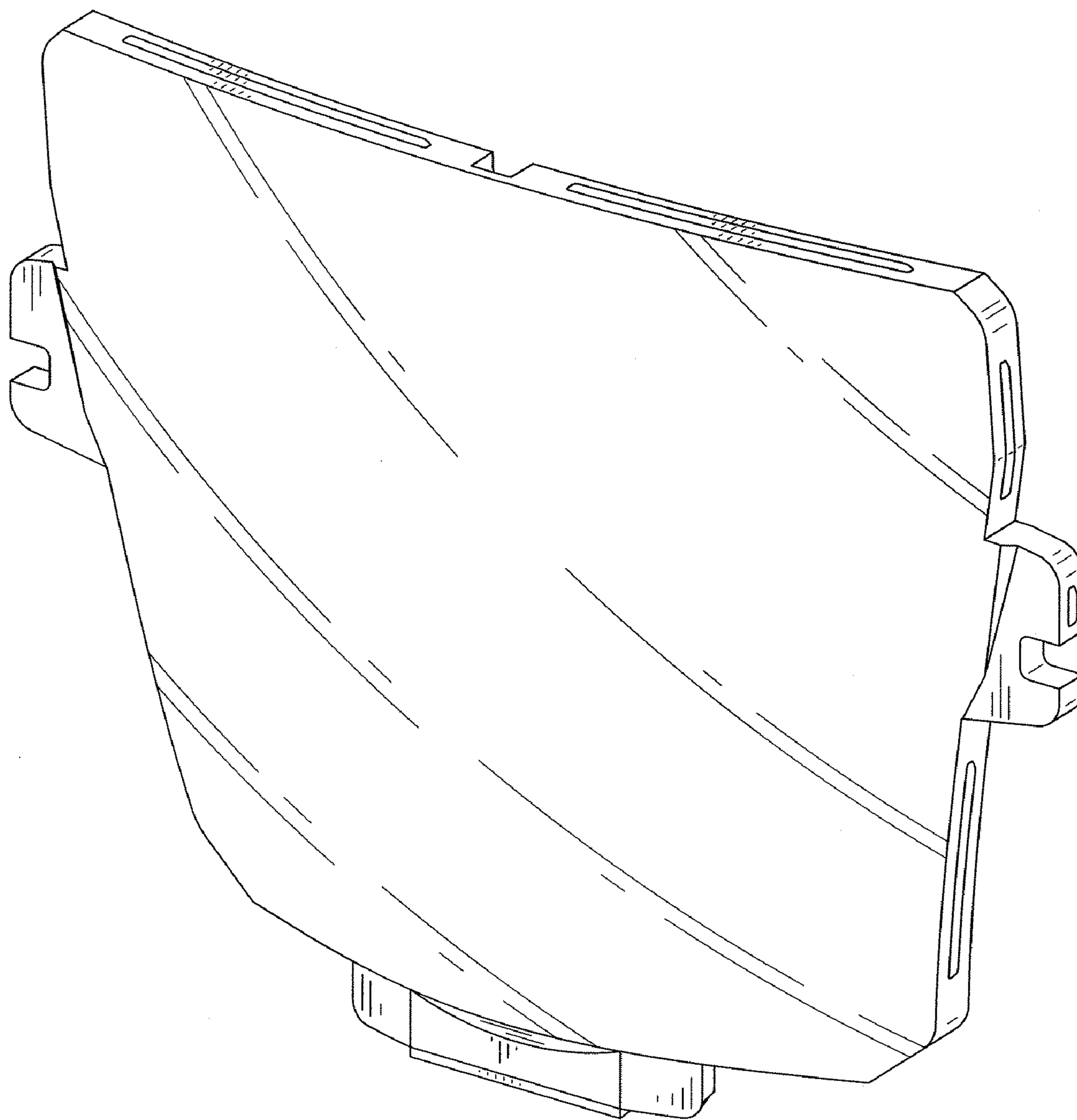
FIG. 5 is a bottom plan view thereof;

FIG. 6 is a left side elevational view thereof; and,

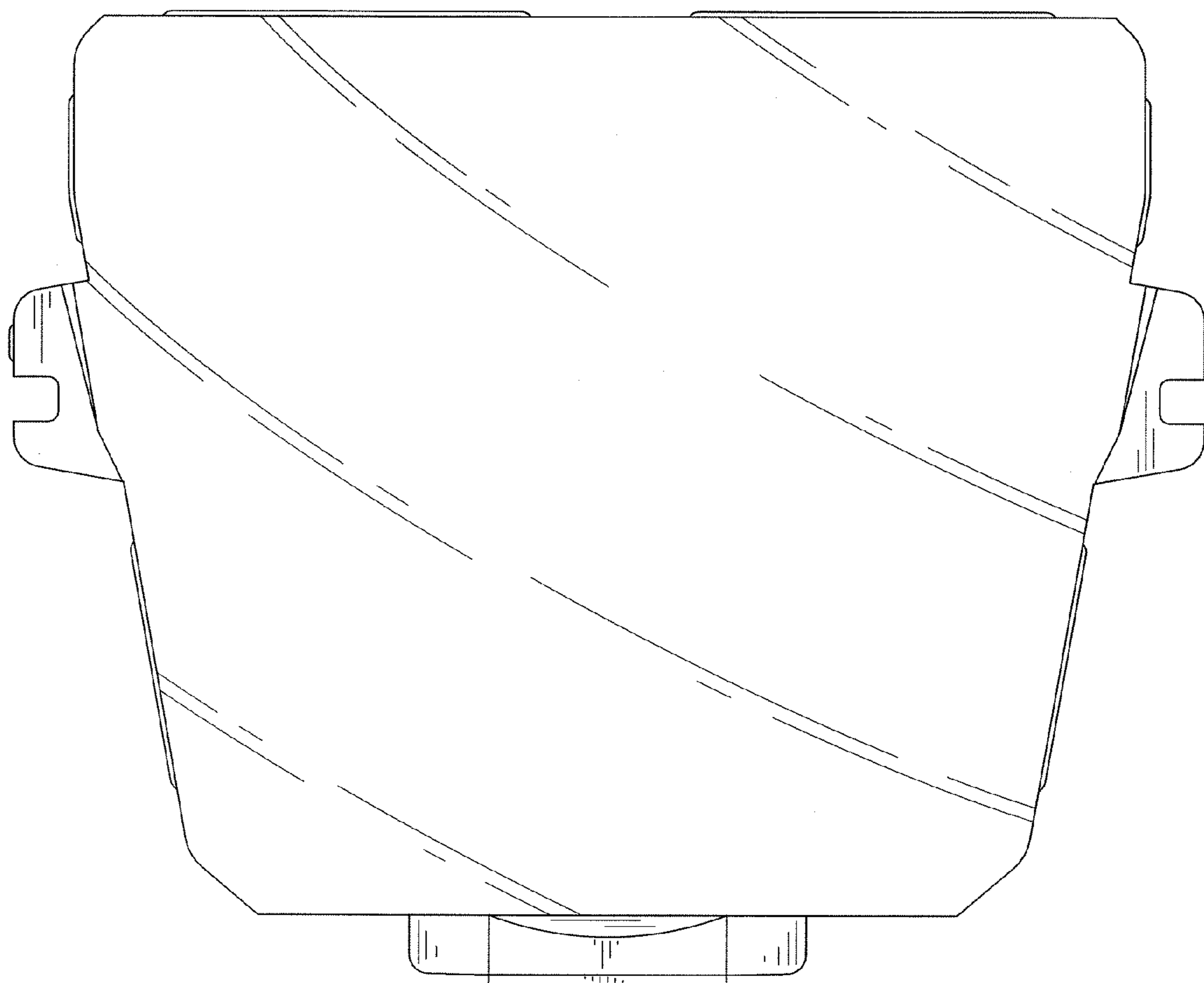
FIG. 7 is a right side elevational view thereof.

**1 Claim, 5 Drawing Sheets**

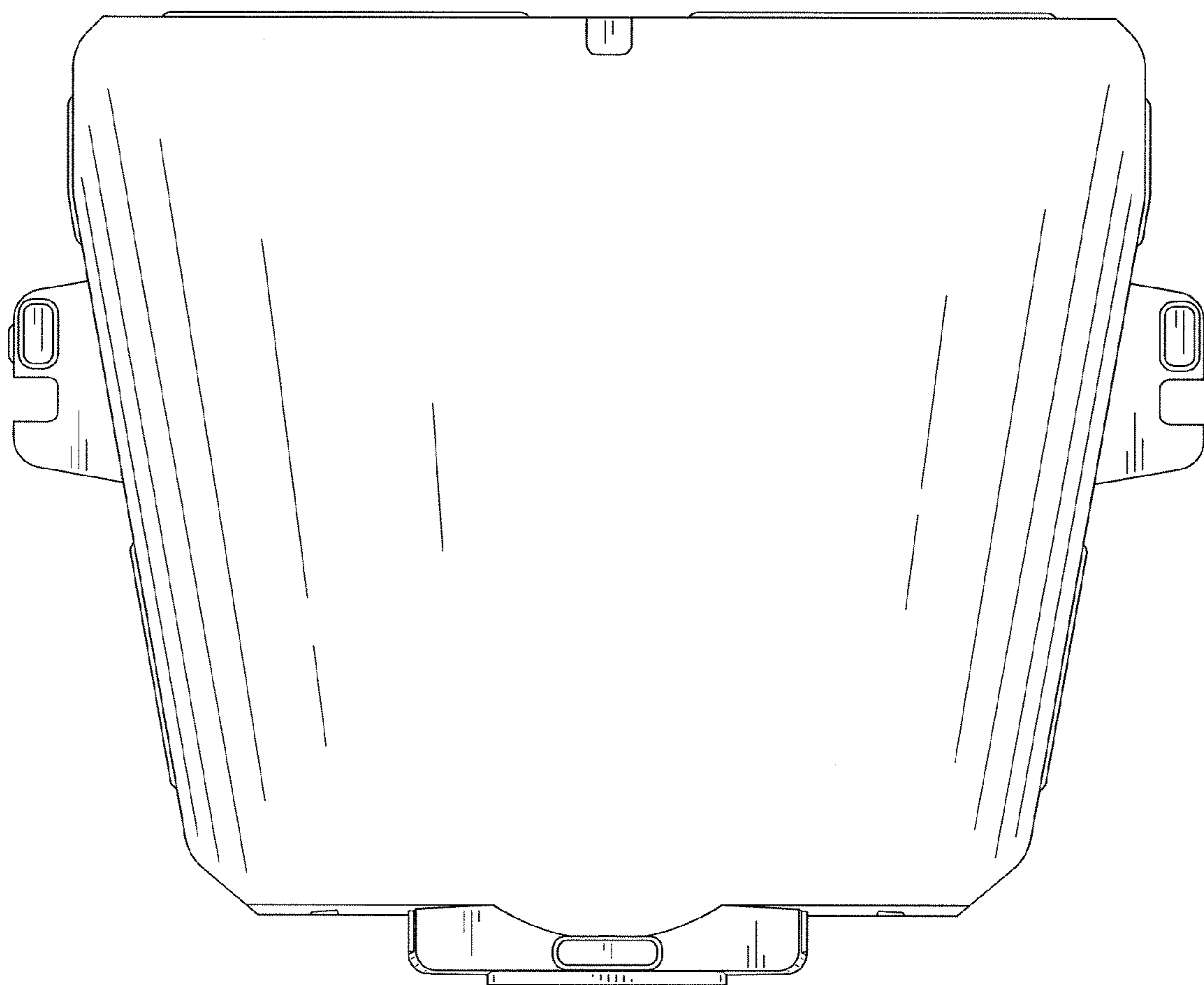




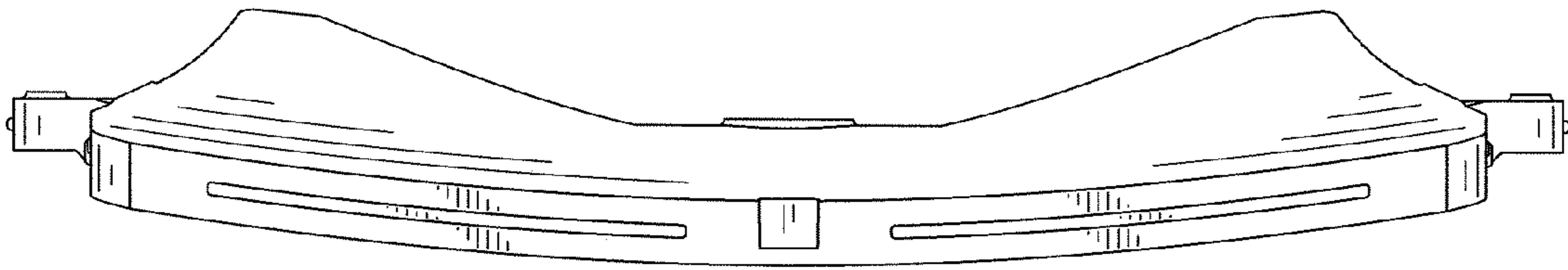
**FIG. 1**



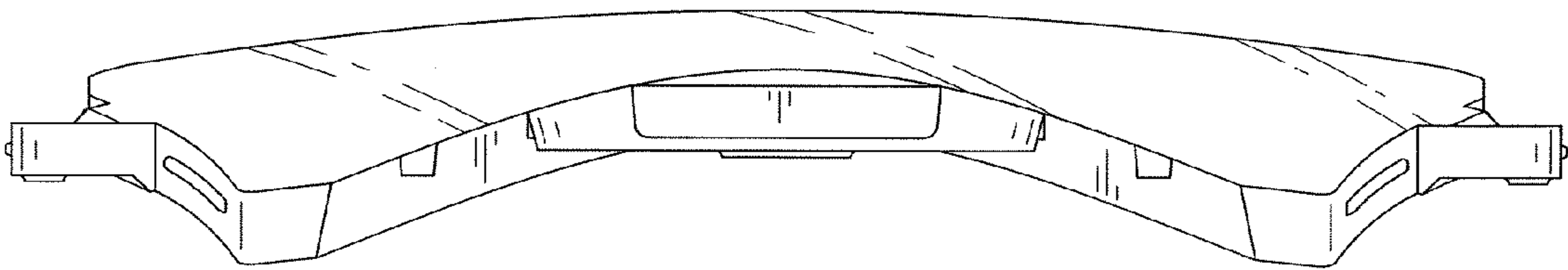
*FIG. 2*



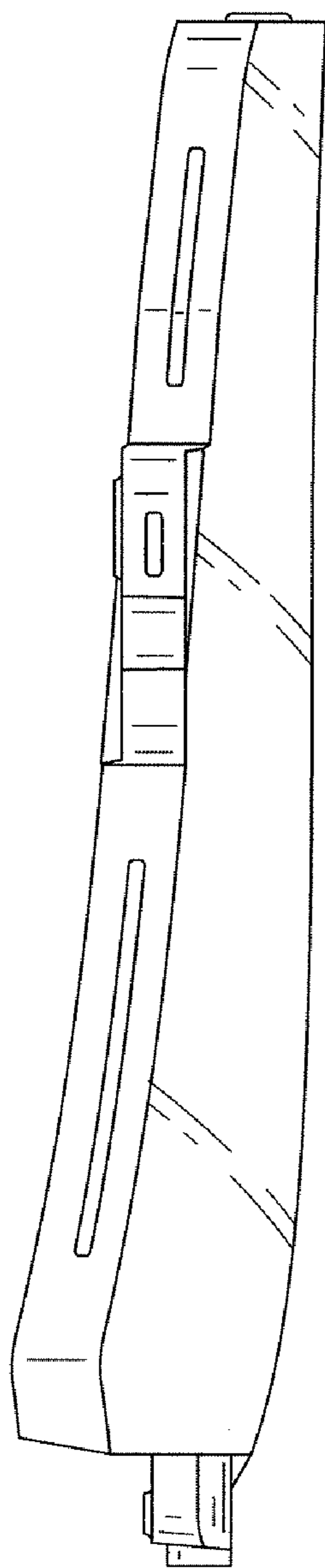
*FIG. 3*



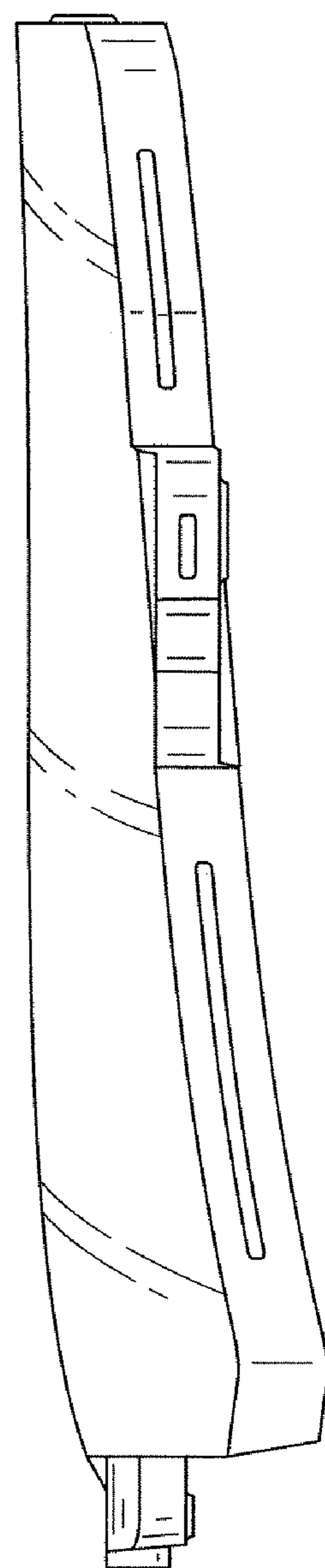
*FIG. 4*



*FIG. 5*



**FIG. 6**



**FIG. 7**