



US00D639071S

(12) **United States Design Patent**  
**Ko et al.**

(10) **Patent No.:** **US D639,071 S**  
(45) **Date of Patent:** **\*\* Jun. 7, 2011**

- (54) **SUBSTRATE WITH PRINTED PATTERN**
- (75) Inventors: **Ada Ko**, Cincinnati, OH (US); **Gregory Churchill Ames**, Cincinnati, OH (US)
- (73) Assignee: **The Procter & Gamble Company**, Cincinnati, OH (US)
- (\*\*) Term: **14 Years**
- (21) Appl. No.: **29/379,193**
- (22) Filed: **Nov. 16, 2010**

- D116,897 S 9/1939 Aibel
- D118,437 S 1/1940 Simon
- D119,548 S 3/1940 Gaines
- D119,859 S 4/1940 Huber
- D176,223 S 11/1955 McCord
- D179,071 S 10/1956 Fulton et al.
- D184,227 S 1/1959 Goforth
- D184,937 S 4/1959 Howell
- D185,016 S 4/1959 McCord
- D189,544 S 1/1961 Harris
- D190,616 S 6/1961 Lynch
- D207,397 S 4/1967 Hooton
- D215,033 S 8/1969 Ottens
- D217,209 S 4/1970 Rost
- 3,616,152 A 10/1971 Chandler

(Continued)

**Related U.S. Application Data**

- (62) Division of application No. 29/354,295, filed on Jan. 22, 2010, now abandoned.
- (51) **LOC (9) Cl.** ..... **05-06**
- (52) **U.S. Cl.** ..... **D5/56**
- (58) **Field of Classification Search** ..... D5/1-3, D5/5, 7, 8, 11, 13-16, 19, 20, 23-28, 30, D5/32, 35-37, 39, 43, 45, 47, 49, 50, 52-66, D5/99; D2/749, 994; D6/582, 583, 595, D6/596, 598, 603-606, 608, 613-616, 617, D6/619, 622; D7/396.4, 396.5; D24/124-126; D25/142, 152; 5/413 AM, 709; 156/148, 156/209; 162/134, 140, 231; 428/17, 18, 428/151, 154, 156, 171, 187, 198, 199, 540, 428/542.2, 542.6, 919, 904.4; 604/378  
See application file for complete search history.

*Primary Examiner* — Karen Acker

(74) *Attorney, Agent, or Firm* — Laura L. Whitmer

(57) **CLAIM**

The ornamental design for a “substrate with printed pattern,” as shown and described.

**DESCRIPTION**

This application claims benefit to U.S. application Ser. No. 29/269,416, filed Nov. 29, 2006, now U.S. Design Pat. No. D564,236.

The patent or application file contains at least one drawing executed in color. Copies of this patent or patent application publication with color drawings(s) will be provided by the Office upon request and payment of the necessary fee.

FIG. 1 is a top view of a substrate with printed pattern showing our new design; and,

FIG. 2 is a top view of another embodiment of a substrate with printed pattern.

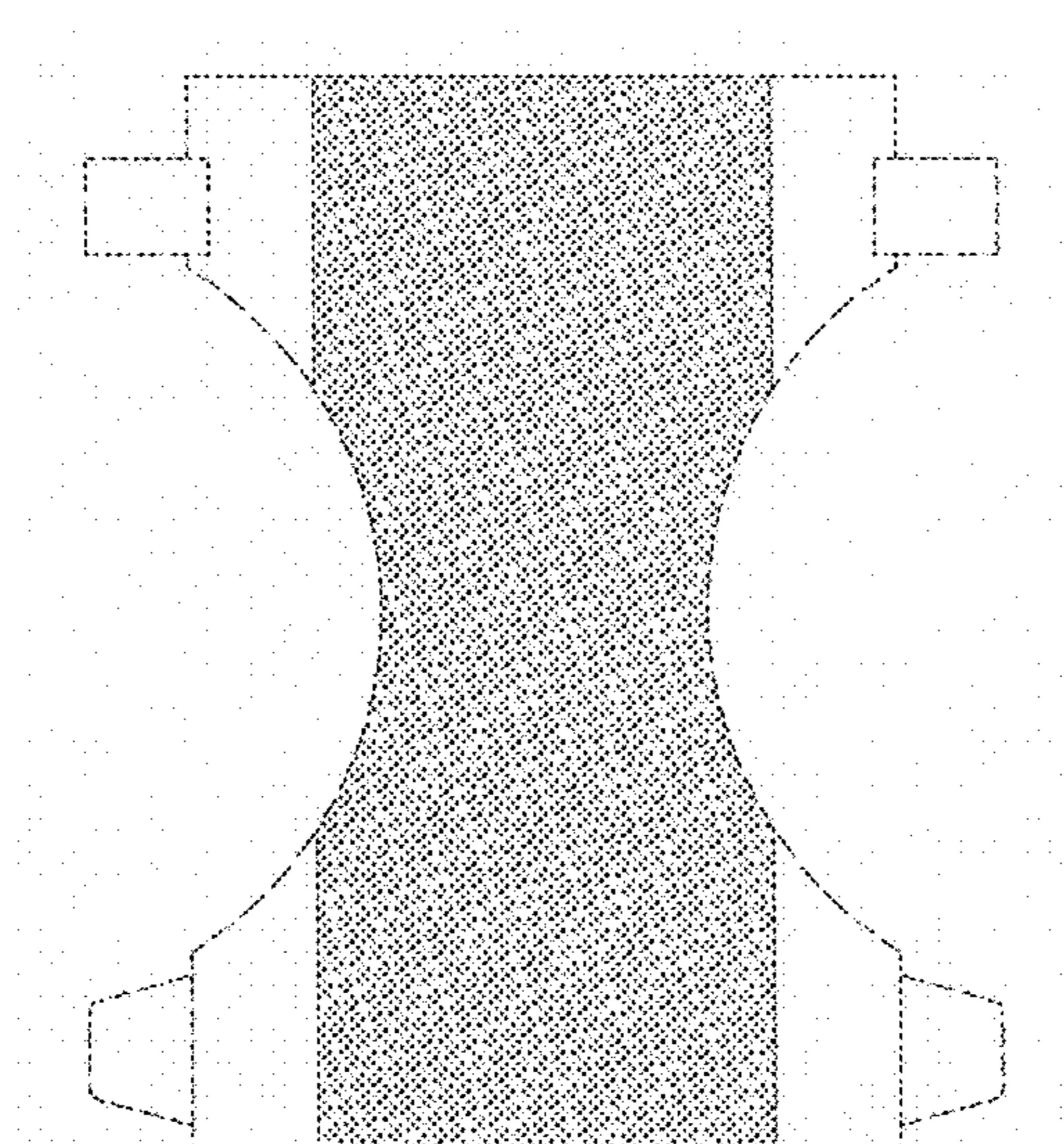
The broken lines in the drawings represent the boundaries of the claimed design. The shading shown in FIGS. 1-2 represents the printed pattern. The broken lines represent unclaimed environmental subject matter.

(56) **References Cited**

**U.S. PATENT DOCUMENTS**

- D2,259 S 7/1866 Merry
- D3,526 S 6/1869 Roder
- RE5,852 E 4/1874 Pollard
- D46,860 S 1/1915 Bendix
- 1,206,287 A 11/1916 Auerbacher
- D51,320 S 10/1917 Benjamin
- D95,933 S 6/1935 Schumacher
- D96,459 S 8/1935 Forstmann
- D110,340 S 7/1938 Brenner

**1 Claim, 2 Drawing Sheets**  
**(2 of 2 Drawing Sheet(s) Filed in Color)**



# US D639,071 S

Page 2

## U.S. PATENT DOCUMENTS

3,672,950 A	6/1972	Murphy		5,922,439 A	7/1999	Bredenick et al.	
D226,048 S	1/1973	Stumpf		D426,303 S *	6/2000	Weyenberg .....	D24/125
3,720,571 A	3/1973	Caroselli		6,106,928 A	8/2000	Laurent et al.	
D231,022 S	3/1974	Thomas		D433,132 S *	10/2000	Velazquez et al. ....	D24/125
D237,114 S	10/1975	Froidh		D434,144 S	11/2000	Anderson	
3,914,493 A	10/1975	Graber		D434,913 S *	12/2000	Schmidt et al. ....	D5/53
D240,563 S *	7/1976	Whitehead et al. ....	D24/125	D438,962 S	3/2001	Velazquez et al.	
D247,369 S *	2/1978	Whitehead .....	D24/125	D443,928 S	6/2001	Richardson et al.	
D247,371 S *	2/1978	Whitehead .....	D24/125	6,316,687 B1	11/2001	Davis et al.	
4,079,739 A *	3/1978	Whitehead .....	604/365	6,455,127 B1	9/2002	Valtanen	
4,315,507 A *	2/1982	Whitehead et al. ....	604/366	6,517,926 B1	2/2003	Therrien	
D274,362 S *	6/1984	Whitehead .....	D24/125	D472,055 S	3/2003	Ki	
D276,072 S *	10/1984	Whitehead .....	D24/125	D473,580 S	4/2003	Nakahara et al.	
D276,183 S *	10/1984	Whitehead .....	D24/125	6,656,564 B2	12/2003	Ichikawa et al.	
4,590,114 A	5/1986	Holtman		6,673,417 B1	1/2004	Gudet	
4,671,983 A	6/1987	Burt		D489,821 S	5/2004	Glaug et al.	
D291,732 S	9/1987	Denny		6,787,215 B1	9/2004	Burke et al.	
D298,701 S	11/1988	Drew		D500,131 S	12/2004	Choice	
RE32,957 E	6/1989	Elias et al.		D511,251 S	11/2005	Wong	
4,960,477 A	10/1990	Mesek		7,034,199 B2	4/2006	Suekane et al.	
D314,673 S	2/1991	Legare		7,145,054 B2	12/2006	Zander et al.	
4,999,235 A	3/1991	Lunn		7,169,458 B2	1/2007	Underhill et al.	
5,098,423 A	3/1992	Pieniak et al.		D536,536 S	2/2007	Harkenrider	
5,128,193 A	7/1992	Anapol et al.		7,182,994 B1	2/2007	Scott	
5,192,606 A	3/1993	Proxmire et al.		D541,052 S	4/2007	Miller et al.	
5,202,173 A	4/1993	Wu et al.		D543,276 S	5/2007	Martynus et al.	
5,262,223 A	11/1993	Palumbo et al.		D557,903 S	12/2007	Harkenrider	
D341,944 S	12/1993	Peter		2003/0091796 A1	5/2003	Suekane et al.	
5,300,053 A *	4/1994	Genaro .....	604/378	2003/0148076 A1	8/2003	Huang	
5,336,545 A	8/1994	Morman		2005/0061356 A1	3/2005	Wong et al.	
5,364,382 A	11/1994	Latimer et al.		2006/0201643 A1	9/2006	Underhill et al.	
D369,907 S	5/1996	Sayovitz et al.		2006/0228509 A1	10/2006	Sher et al.	
D370,127 S	5/1996	Bonaddio et al.		2007/0014971 A1	1/2007	Tajika et al.	
5,718,699 A	2/1998	Brisebois		2007/0254145 A1	11/2007	Sawin et al.	
5,846,379 A	12/1998	Ampulski et al.					

\* cited by examiner

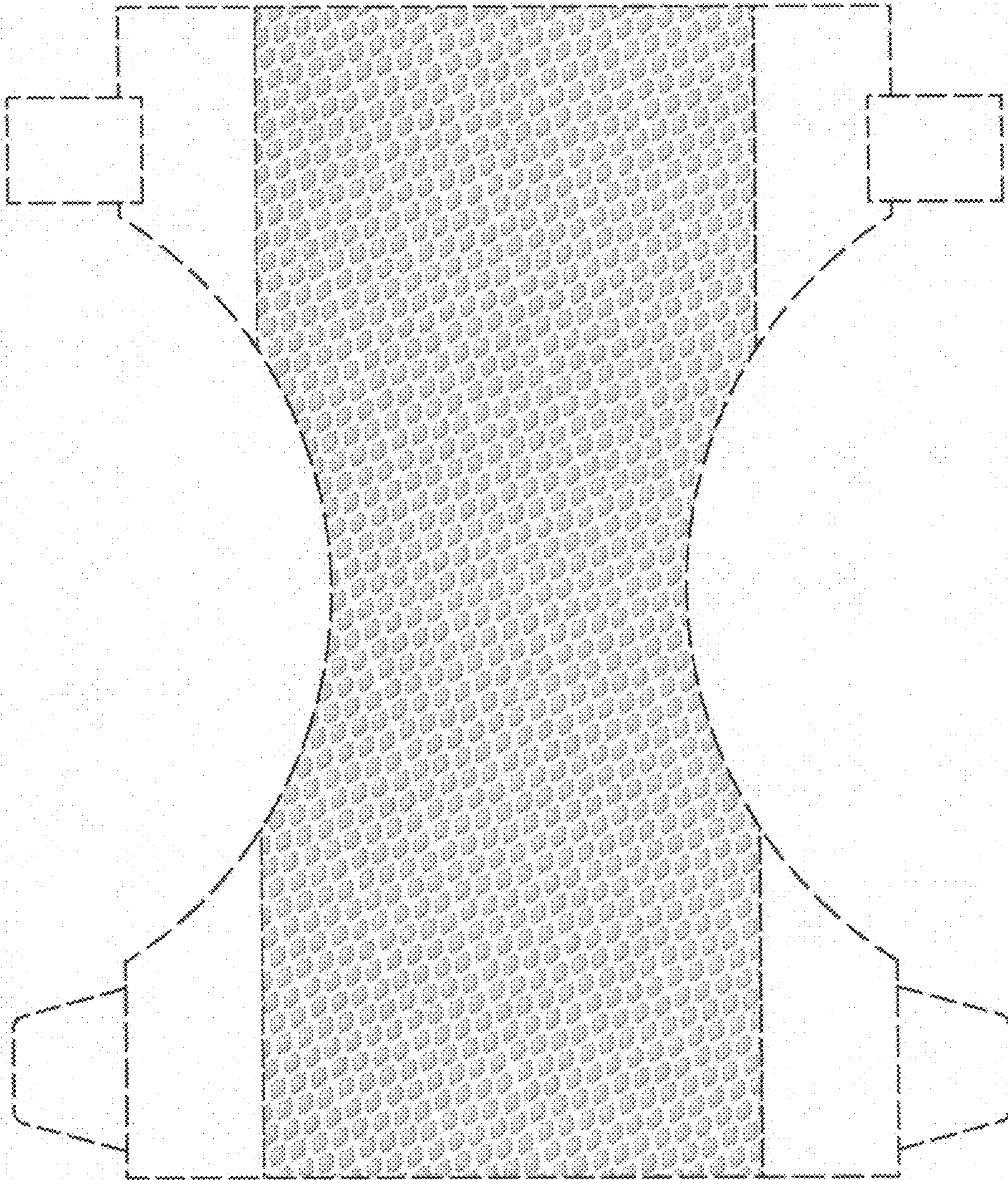


Fig. 1

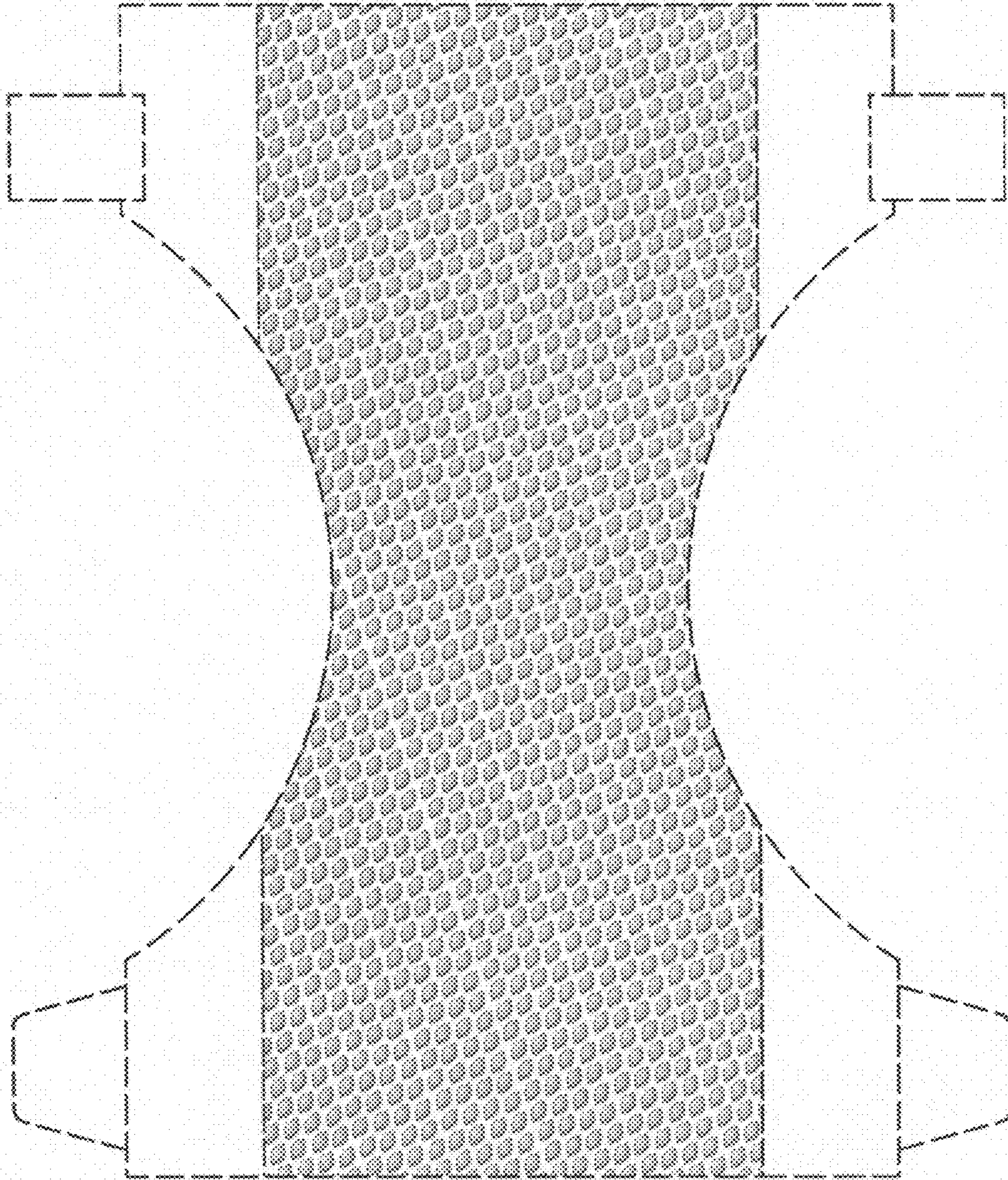


Fig. 2