



US00D639070S

(12) **United States Design Patent**  
**Mena**

(10) **Patent No.:** **US D639,070 S**

(45) **Date of Patent:** **\*\* Jun. 7, 2011**

(54) **DOUBLE FERRULE PAINT BRUSH**

(76) Inventor: **Willie Mena**, North Hills, CA (US)

(\*\*) Term: **14 Years**

(21) Appl. No.: **29/383,400**

(22) Filed: **Jan. 17, 2011**

(51) **LOC (9) Cl.** ..... **04-04**

(52) **U.S. Cl.** ..... **D4/119; D4/132**

(58) **Field of Classification Search** ..... D4/119,  
D4/121, 132, 135, 138; 15/106, 168, 169,  
15/172, 190, 191.1, 192, 193

See application file for complete search history.

(56) **References Cited**

**U.S. PATENT DOCUMENTS**

1,319,493	A *	10/1919	Severance	15/160
3,133,299	A *	5/1964	Danley et al.	15/193
3,728,755	A *	4/1973	Whalen	15/210.1
3,783,468	A *	1/1974	Saloutos	15/202
4,674,144	A *	6/1987	Palmeri	15/210.1
4,780,923	A	11/1988	Schultheiss	
5,435,037	A	7/1995	Ledingham	
6,035,481	A	3/2000	Douglas et al.	

6,823,553	B1 *	11/2004	Paredes	15/105
D522,249	S *	6/2006	Rekart	D4/138
D522,250	S *	6/2006	Rekart	D4/199
D580,177	S *	11/2008	Louis-Jeune	D4/121

\* cited by examiner

*Primary Examiner* — Melanie H Tung

*Assistant Examiner* — Lavone D Tabor

(74) *Attorney, Agent, or Firm* — Crossley Patent Law; Mark A. Crossley

(57) **CLAIM**

The ornamental design for a double ferrule paint brush, as shown and described.

**DESCRIPTION**

FIG. 1 is a top plan view of a double ferrule paint brush showing my new design;

FIG. 2 is a bottom plan view thereof;

FIG. 3 is a right elevation view thereof;

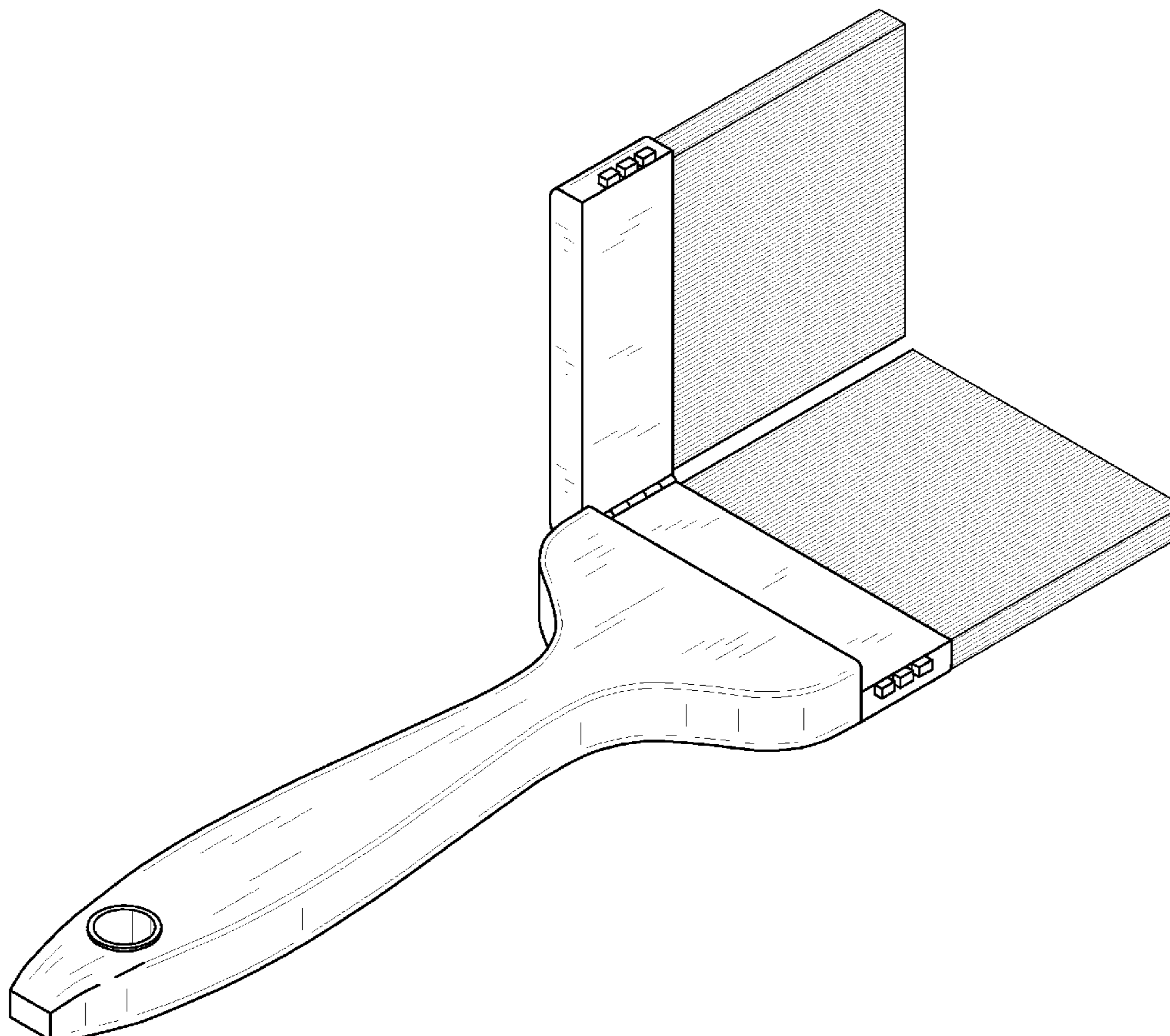
FIG. 4 is a left elevation view thereof;

FIG. 5 is a front elevation view thereof;

FIG. 6 is a rear elevation view thereof; and,

FIG. 7 is an isometric view thereof.

**1 Claim, 4 Drawing Sheets**



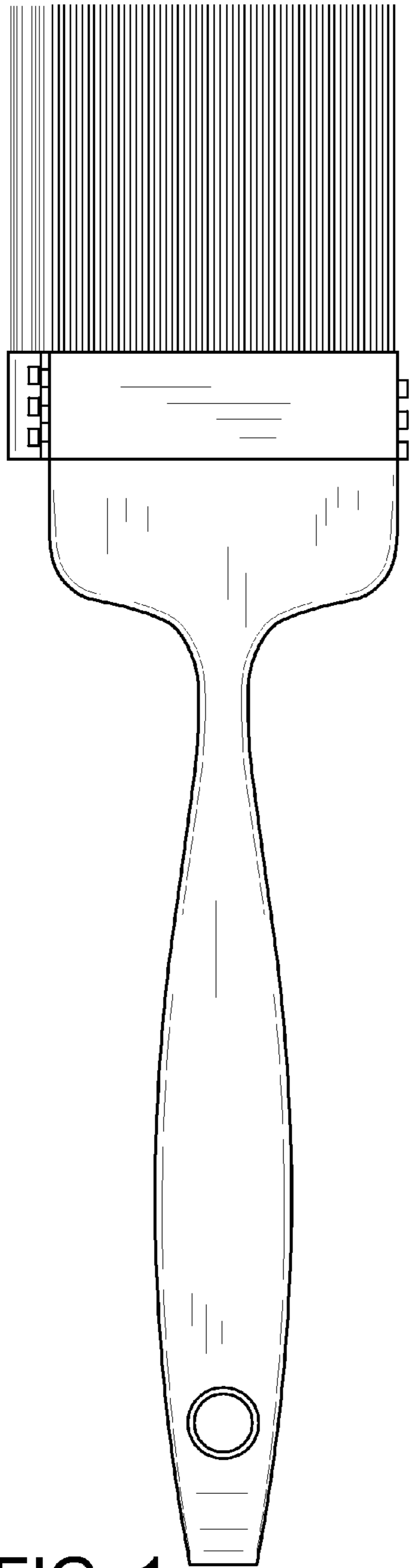


FIG. 1

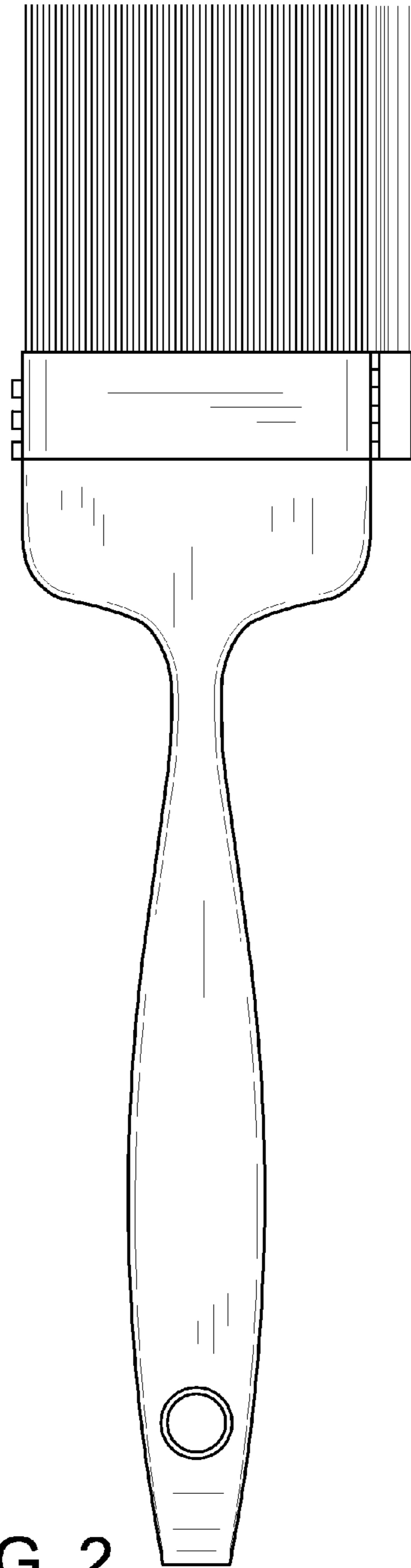


FIG. 2

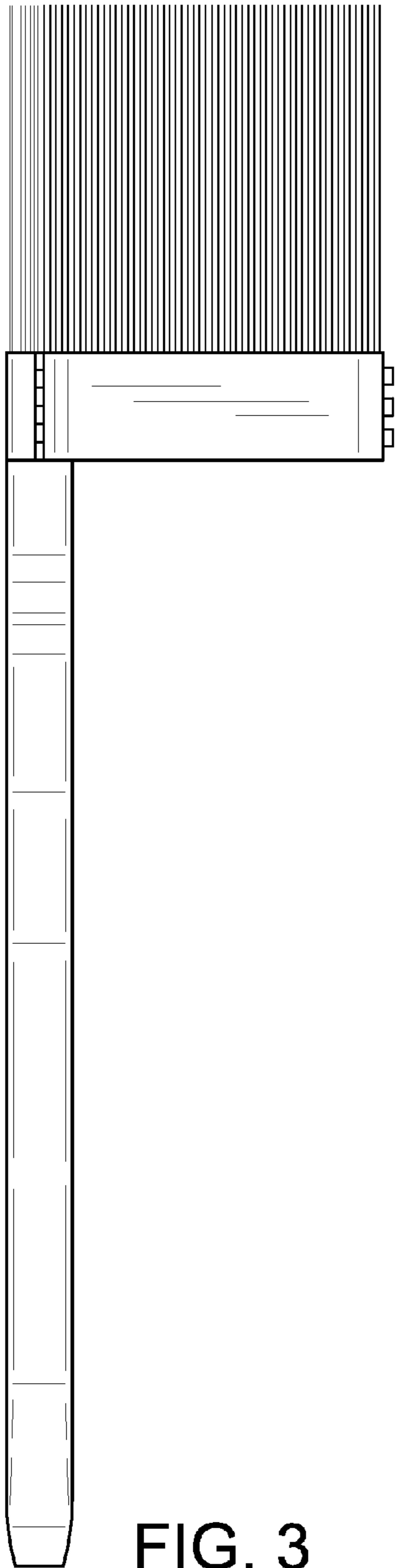


FIG. 3



FIG. 4

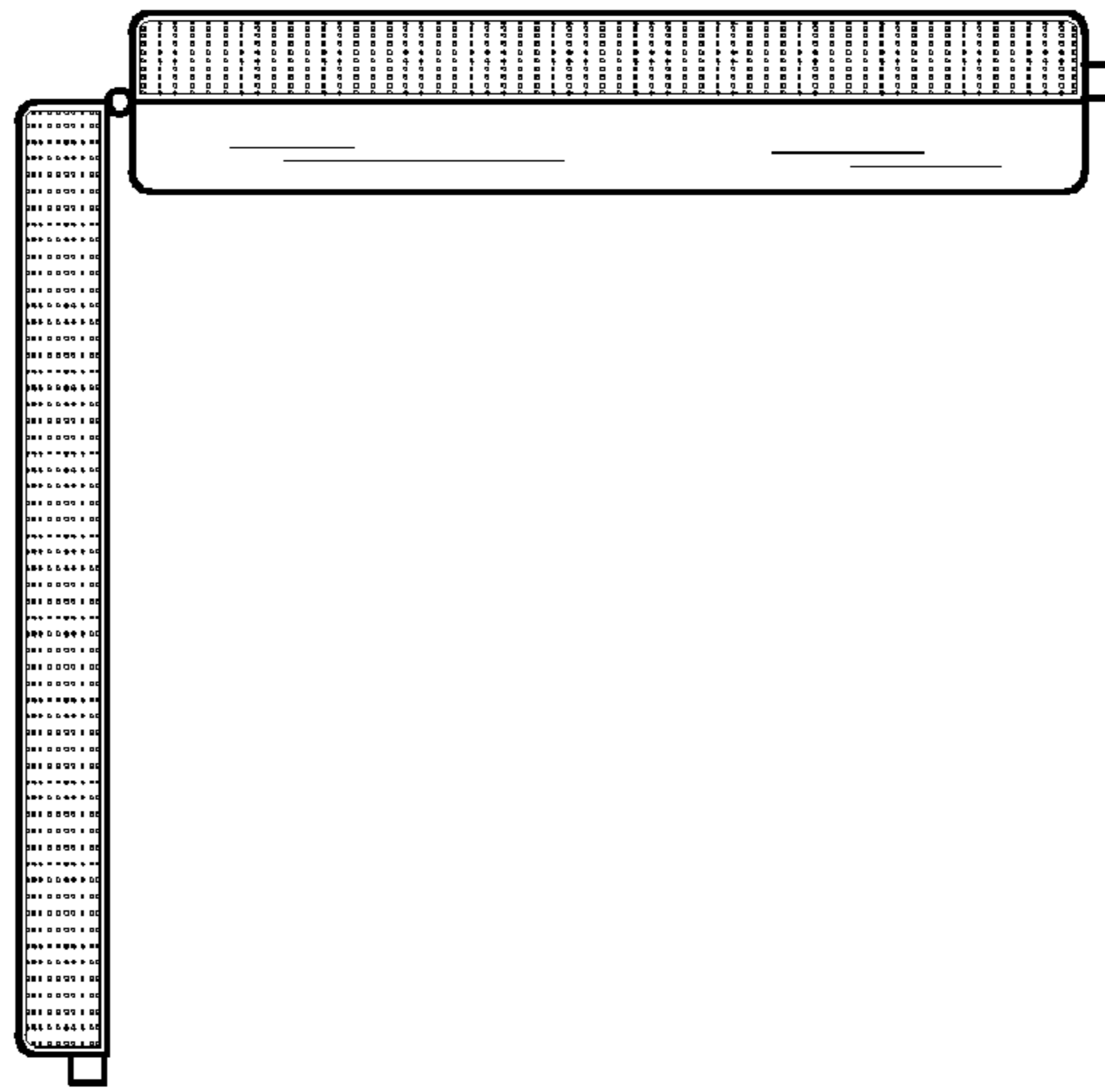


FIG. 5

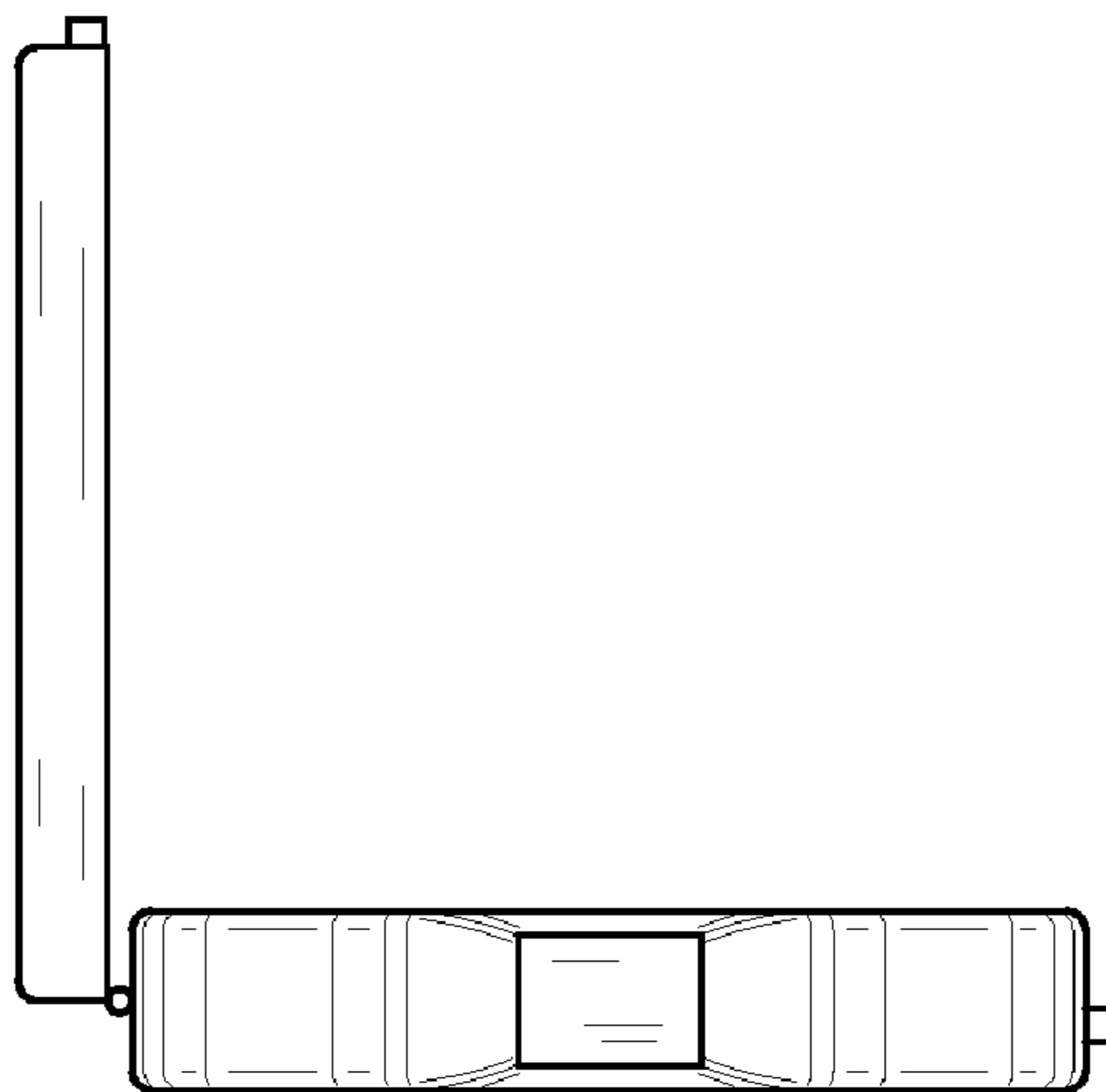


FIG. 6

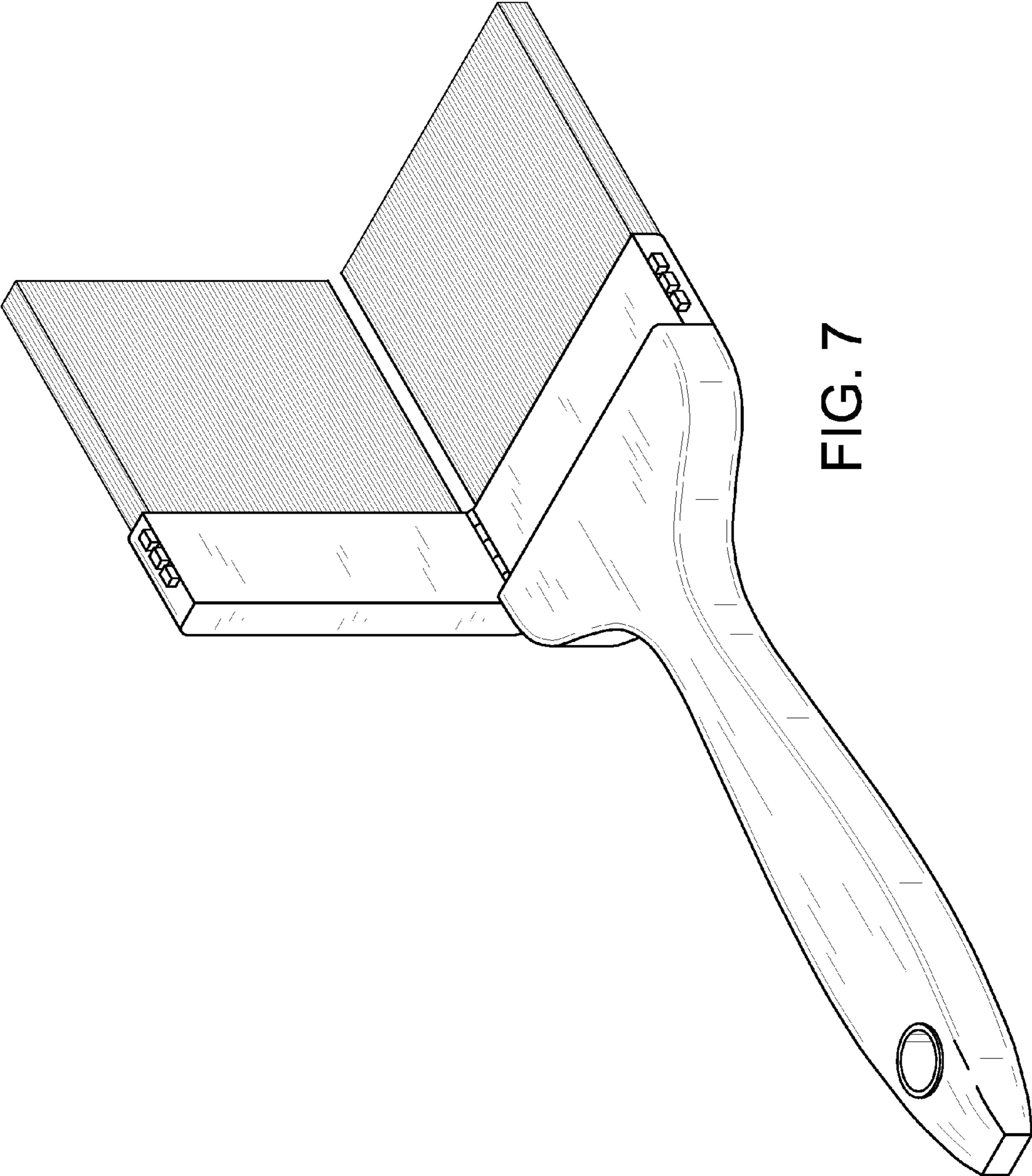


FIG. 7