



US00D639068S

(12) **United States Design Patent**
Cobabe et al.

(10) **Patent No.:** **US D639,068 S**
(45) **Date of Patent:** **** Jun. 7, 2011**

(54) **BRUSH HEAD FOR CLEANING APPARATUS**
(75) Inventors: **Aaron D. Cobabe**, Syracuse, UT (US);
David O. Meyers, Kaysville, UT (US);
Darrell E. Goff, Highland, UT (US); **W.**
Kenneth Thiess, Parker, CO (US)

3,699,952 A 10/1972 Waters et al.
3,864,779 A 2/1975 Thomas
3,939,599 A 2/1976 Henry et al.
(Continued)

(73) Assignee: **SonicScrubbers, Inc.**, Layton, UT (US)

FOREIGN PATENT DOCUMENTS
DE 32 34 704 3/1984
(Continued)

(**) Term: **14 Years**

OTHER PUBLICATIONS

(21) Appl. No.: **29/368,978**

EM333513-0002 Registered Industrial Design Application (Meyers, et al.) Aug. 9, 2005, [online], [retrieved on Nov. 21, 2010] Retrieved from the Design Database of the Office for Harmonization in the Internal Market using the Internet: <URL: http:oami.europa.eu>.*

(22) Filed: **Aug. 31, 2010**

(Continued)

Related U.S. Application Data

(63) Continuation of application No. 29/341,093, filed on Jul. 30, 2009, now Pat. No. Des. 623,411, which is a continuation of application No. 12/106,965, filed on Apr. 21, 2008, now Pat. No. 7,614,107, which is a continuation of application No. 11/013,935, filed on Dec. 15, 2004, now Pat. No. 7,360,269.

Primary Examiner — Melanie H Tung
Assistant Examiner — Lavone D Tabor
(74) *Attorney, Agent, or Firm* — Workman Nydegger

(51) **LOC (9) Cl.** **04-02**

(52) **U.S. Cl.** **D4/102; D4/101**

(58) **Field of Classification Search** D4/101,
D4/102, 108, 111, 127; 15/21.1, 22.1, 22.2,
15/28, 29, 167.1, 176.1, 180
See application file for complete search history.

(57) **CLAIM**

The ornamental design for a brush head for cleaning apparatus, as shown and described.

DESCRIPTION

FIG. 1 is a right side elevational view of a brush head for cleaning apparatus showing our new design;
FIG. 2 is a top plan view thereof;
FIG. 3 is a front elevational view thereof;
FIG. 4 is a right side elevational view of a second embodiment of the brush head for cleaning apparatus shown in FIG. 1;
FIG. 5 is a top plan view thereof; and,
FIG. 6 is a front elevational view thereof.

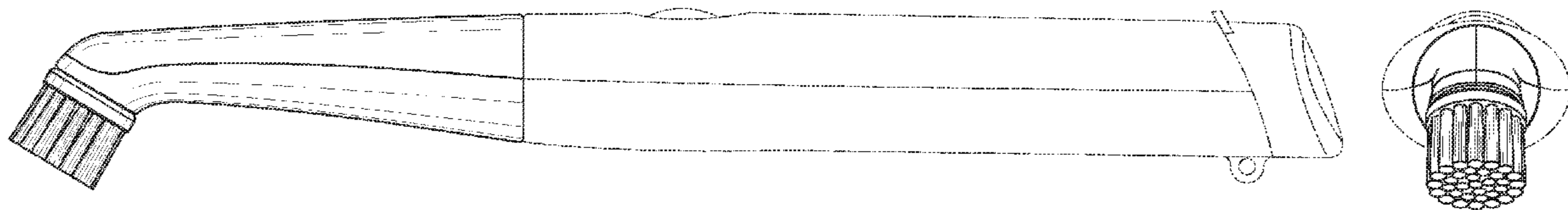
The broken lines are for illustrative purposes only and form no part of the claimed design or illustrate part of the brush head for cleaning apparatus that forms no part of the claimed design.

(56) **References Cited**

U.S. PATENT DOCUMENTS

D165,109 S * 11/1951 Petrosky D4/114
2,778,043 A 1/1957 Arf
2,911,660 A 11/1959 Klemas et al.
3,183,538 A 5/1965 Hubner
3,274,631 A 9/1966 Spohr
3,289,231 A 12/1966 Minton et al.
3,667,454 A 6/1972 Prince
3,675,645 A 7/1972 Samiran et al.

1 Claim, 2 Drawing Sheets



U.S. PATENT DOCUMENTS

4,079,517 A 3/1978 Zacharia
 4,127,911 A 12/1978 Cupp et al.
 4,137,588 A 2/1979 Sandt et al.
 4,173,828 A 11/1979 Lustig et al.
 4,654,921 A 4/1987 Dinner
 4,827,552 A 5/1989 Bojar et al.
 5,145,369 A 9/1992 Lustig et al.
 5,160,194 A 11/1992 Feldman
 5,341,534 A 8/1994 Serbinski et al.
 5,435,032 A 7/1995 McDougall
 5,465,444 A 11/1995 Bigler et al.
 5,467,495 A 11/1995 Boland et al.
 5,504,959 A 4/1996 Yukawa et al.
 5,577,285 A 11/1996 Drossler
 5,590,434 A 1/1997 Imai
 5,617,601 A 4/1997 McDougall
 5,617,603 A 4/1997 Mei
 5,625,916 A 5/1997 McDougall
 5,652,990 A 8/1997 Driesen et al.
 5,930,860 A 8/1999 Shipp
 5,950,268 A 9/1999 Murphy et al.
 5,956,792 A 9/1999 Gutelius et al.
 5,974,615 A 11/1999 Schwarz-Hartmann et al.
 6,021,538 A 2/2000 Kressner et al.
 6,058,542 A 5/2000 Lo
 6,092,252 A 7/2000 Fischer et al.
 6,178,579 B1 1/2001 Blaustein et al.
 6,199,242 B1 3/2001 Masterman et al.
 6,230,717 B1 5/2001 Marx et al.
 6,253,405 B1 7/2001 Gutelius et al.
 6,295,681 B1 10/2001 Dolah
 D452,079 S 12/2001 Ping
 6,347,425 B1 2/2002 Fattori et al.
 6,363,565 B1 4/2002 Paffrath
 6,421,865 B1 7/2002 McDougall
 6,421,866 B1 7/2002 McDougall
 6,442,785 B1 9/2002 Robinson
 6,581,233 B1 6/2003 Cheng
 D491,728 S 6/2004 Jimenez
 6,745,427 B1 6/2004 Trenz et al.
 6,792,640 B2 9/2004 Lev
 D513,881 S 1/2006 Meyers et al.
 6,993,803 B2 2/2006 Chan
 7,065,825 B2 6/2006 Minkler et al.
 7,159,265 B2 1/2007 Soller et al.
 7,178,189 B1 2/2007 Perry et al.
 7,258,229 B2 8/2007 Chan
 7,287,295 B2 10/2007 Treacy et al.
 7,316,046 B2 1/2008 Michaels et al.
 7,469,703 B2 12/2008 France et al.
 7,614,107 B2 11/2009 Cobabe et al.
 2001/0042280 A1 11/2001 Moskovich et al.
 2002/0004964 A1 1/2002 Luchino et al.
 2002/0039720 A1 4/2002 Marx et al.
 2002/0066147 A1 6/2002 Schutz
 2002/0162180 A1 11/2002 Blaustein et al.
 2003/0131427 A1 7/2003 Hilscher et al.

2003/0140437 A1 7/2003 Eliav et al.
 2003/0154567 A1 8/2003 Drossler et al.
 2003/0163881 A1 9/2003 Driesen et al.
 2003/0221269 A1 12/2003 Zhuan
 2004/0083567 A1 5/2004 Lies
 2004/0200016 A1 10/2004 Chan et al.
 2004/0244130 A1 12/2004 Kim
 2005/0011023 A1 1/2005 Chan
 2005/0053895 A1 3/2005 Pinyayev et al.
 2005/0055784 A1 3/2005 Wong
 2005/0066996 A1 3/2005 France et al.
 2005/0144744 A1 7/2005 Thiess et al.
 2008/0022472 A1 1/2008 Minkler et al.

FOREIGN PATENT DOCUMENTS

DE 3615918 A1 * 11/1987
 DE 43 15 320 A1 11/1994
 EM 000066782-0001 12/2003
 EM 000098991-0003 2/2004
 JP 2006-271645 10/2006
 WO WO 2005/025372 3/2005

OTHER PUBLICATIONS

Office Action dated Mar. 8, 2010 issued in U.S. Appl. No. 29/341,093, filed Jul. 30, 2009, Cobabe et al.
 Notice of Allowability dated May 21, 2010 issued in U.S. Appl. No. 29/341,093.
 Office Action dated Mar. 22, 2010 issued in U.S. Appl. No. 12/574,865, filed Oct. 7, 2009, Cobabe et al.
 Office Action dated Sep. 5, 2008 issued in U.S. Appl. No. 12/106,965, filed Apr. 21, 2008, Cobabe et al.
 Notice of Allowability dated Mar. 19, 2009 issued in U.S. Appl. No. 12/106,965.
 Second Notice of Allowability dated Sep. 22, 2009 issued in U.S. Appl. No. 12/106,965.
 Office Action dated May 16, 2005 issued in U.S. Appl. No. 11/014,626, filed Dec. 15, 2004 Theiss et al.
 Office Action dated Jan. 10, 2006 issued in U.S. Appl. No. 11/014,626.
 Office Action dated Sep. 6, 2006 issued in U.S. Appl. No. 11/014,626.
 Office Action dated Apr. 30, 2007 issued in U.S. Appl. No. 11/014,626.
 Office Action dated Nov. 20, 2007 issued in U.S. Appl. No. 11/014,626.
 Office Action dated May 15, 2005 issued in U.S. Appl. No. 11/013,935, filed Dec. 15, 2004, Cobabe et al.
 Office Action dated Dec. 30, 2005 issued in U.S. Appl. No. 11/013,935.
 Office Action dated Aug. 17, 2006 issued in U.S. Appl. No. 11/013,935.
 Office Action dated Apr. 18, 2007 issued in U.S. Appl. No. 11/013,935.
 International Search Report and Written Opinion for PCT Application No. PCT/US2010/051694 dated Jan. 5, 2011.

* cited by examiner

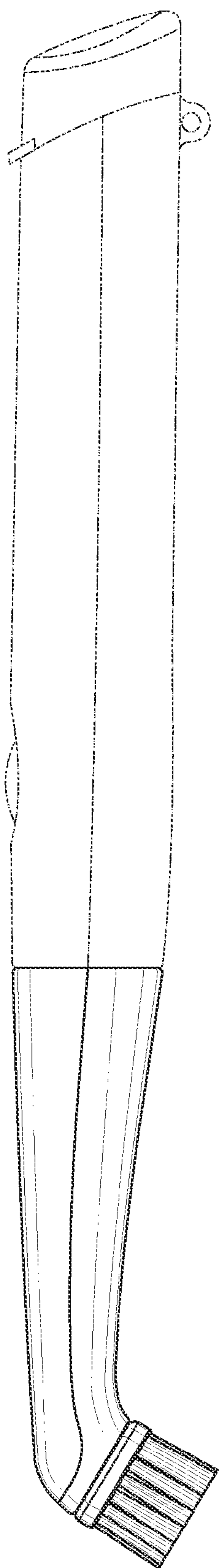


FIG. 1

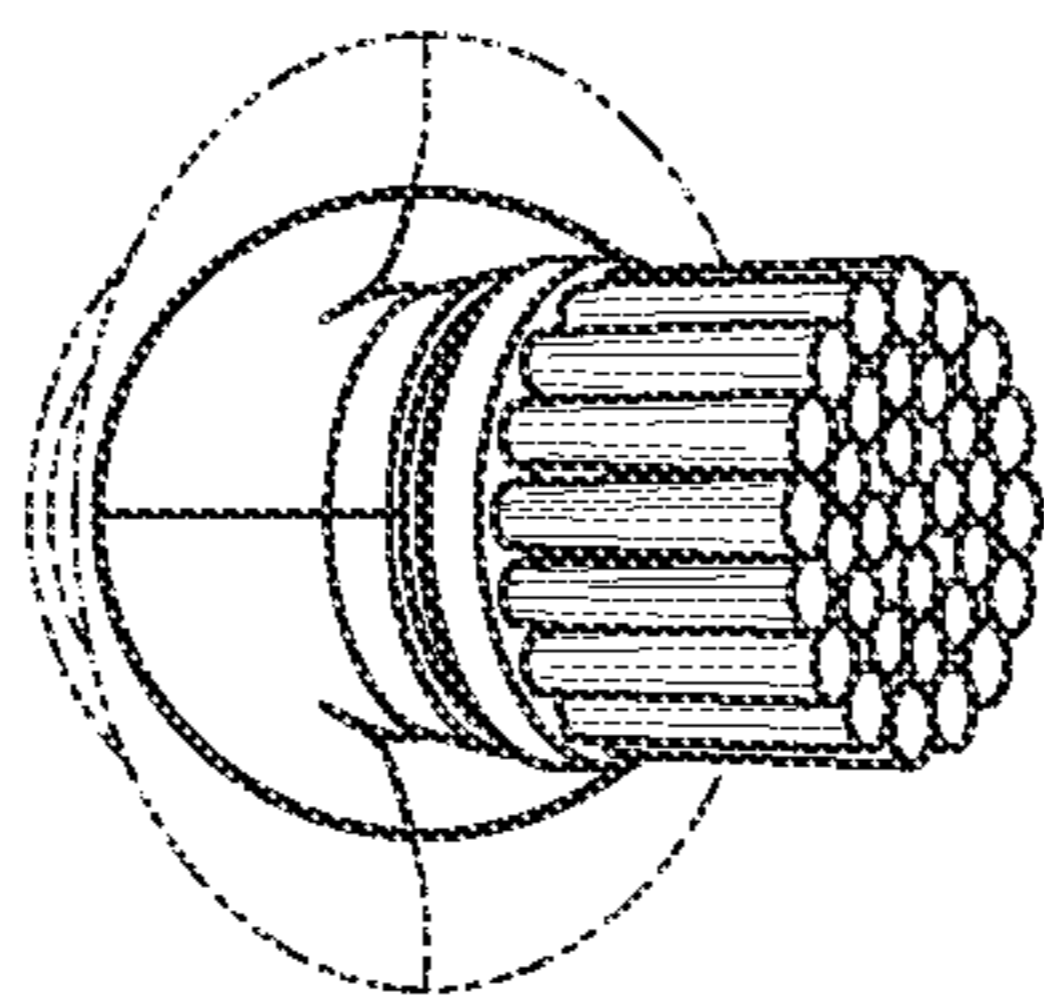


FIG. 3

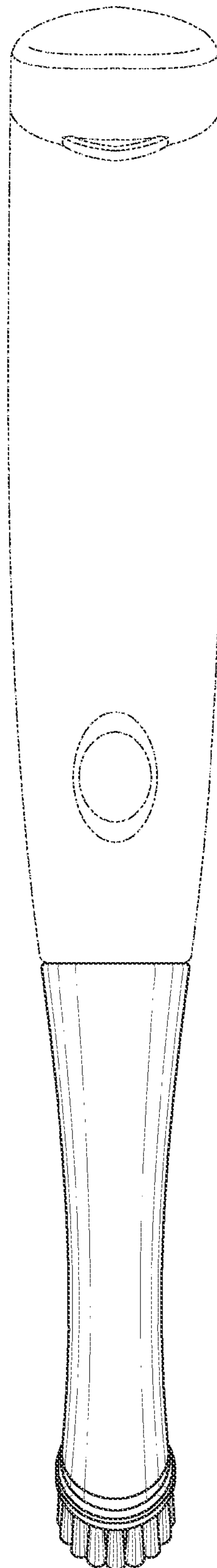


FIG. 2

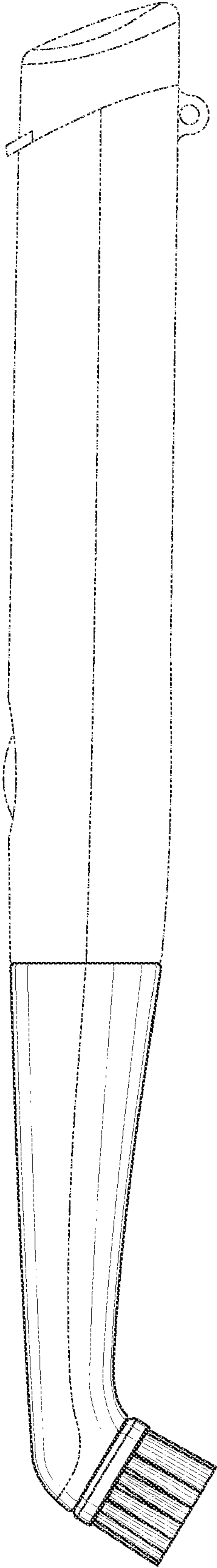


FIG. 4

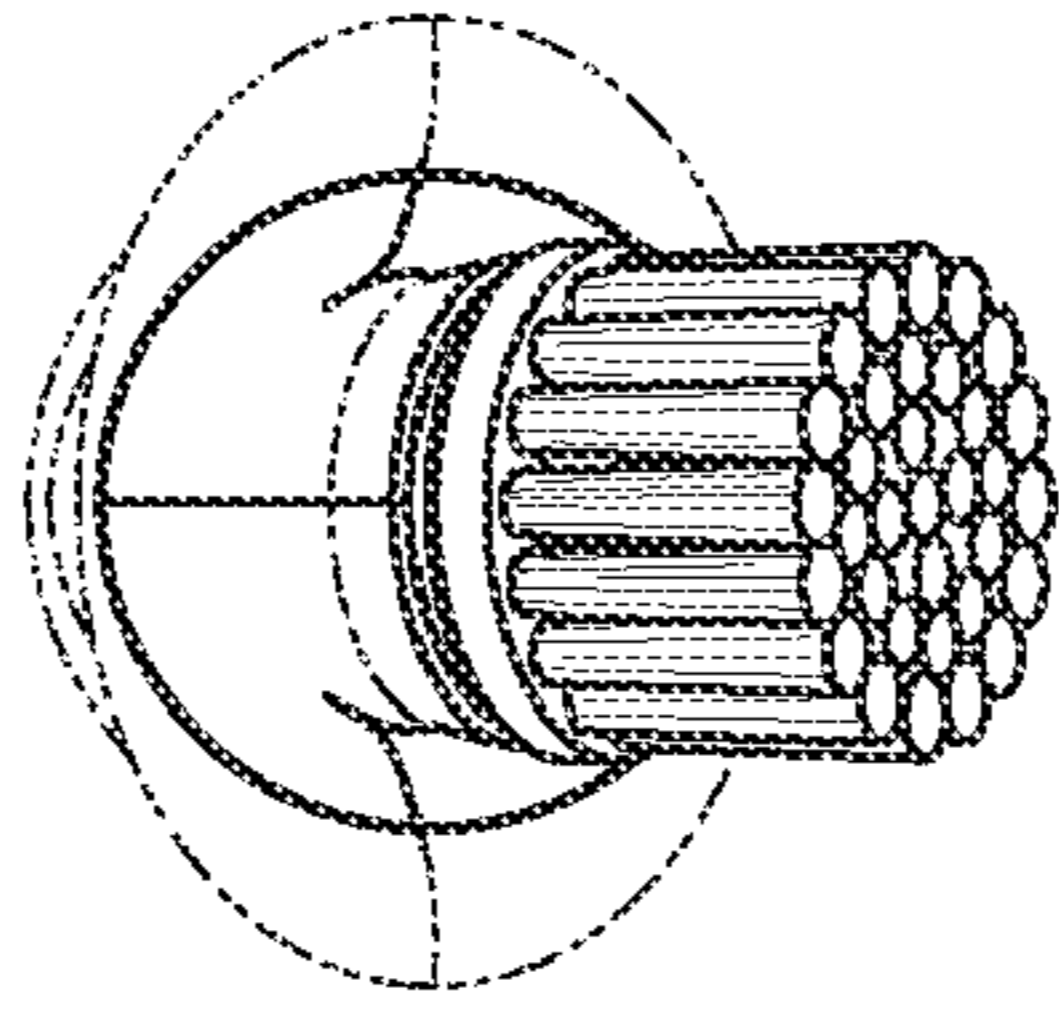


FIG. 6

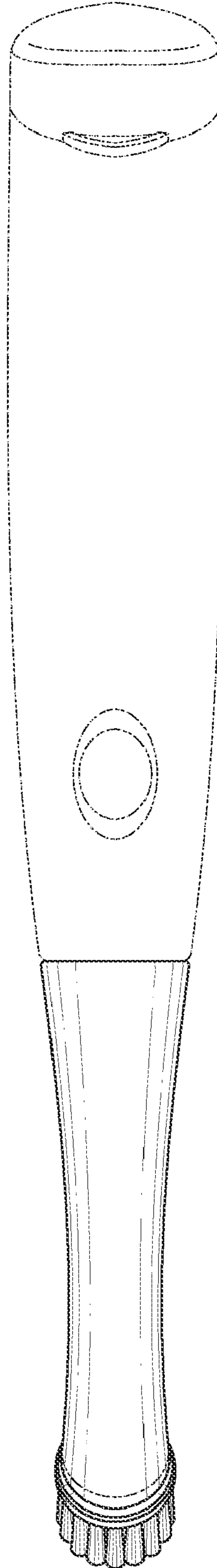


FIG. 5