



US00D639067S

(12) **United States Design Patent**
Fry

(10) **Patent No.:** **US D639,067 S**
(45) **Date of Patent:** **** Jun. 7, 2011**

(54) **YARN CADDY**

(76) Inventor: **Catherine Fry**, Payette, ID (US)

(**) Term: **14 Years**

(21) Appl. No.: **29/348,997**

(22) Filed: **Mar. 1, 2010**

(51) **LOC (9) Cl.** **03-03**

(52) **U.S. Cl.** **D3/315**

(58) **Field of Classification Search** D3/212,
D3/315, 293, 203.1, 203.3, 203.7, 259, 286,
D3/304, 903, 901, 905, 316, 206, 305, 311,
D3/312, 314, 201, 303, 306, 313, 318; D32/53;
D19/77, 75, 80, 81, 82, 84, 85; 294/158,
294/159, 161, 137, 140; 206/38, 214, 215;
220/500

See application file for complete search history.

(56) **References Cited**

U.S. PATENT DOCUMENTS

D152,167	S *	12/1948	Montague	D3/309
D209,473	S *	12/1967	Versteeg et al.	D3/311
3,827,654	A	8/1974	Armstrong		
4,008,806	A	2/1977	de Paez et al.		
4,330,095	A	5/1982	Carter		
D273,207	S *	3/1984	Clanton	D3/309
D276,861	S *	12/1984	Keddie	D6/336
4,635,834	A	1/1987	Lindquist		
4,846,388	A	7/1989	Benbow		
4,865,346	A	9/1989	Carlile		
5,975,458	A	11/1999	Goldthreate		
D429,071	S *	8/2000	Hurt	D3/315
6,270,094	B1 *	8/2001	Campbell	280/47.19
D451,281	S *	12/2001	Wodkowski et al.	D3/315

6,523,776	B1 *	2/2003	Elder	242/594.4
7,168,714	B2	1/2007	Gibbs		
D542,034	S *	5/2007	Romano	D3/315
7,434,820	B1	10/2008	Aliseo		
2007/0272635	A1	11/2007	Cuadra, Jr.		

* cited by examiner

Primary Examiner — Ian Simmons

Assistant Examiner — Charles Hanson

(74) *Attorney, Agent, or Firm* — K. S. Cornaby; Jones Waldo Holbrook & McDonough, PC

(57) **CLAIM**

The ornamental design for a yarn caddy, as shown and described.

DESCRIPTION

FIG. 1 shows an elevated front perspective view of the presently claimed design.

FIG. 2 shows a front side view of the presently claimed design.

FIG. 3 shows a back side view of the presently claimed design.

FIG. 4 shows a view of the presently claimed design.

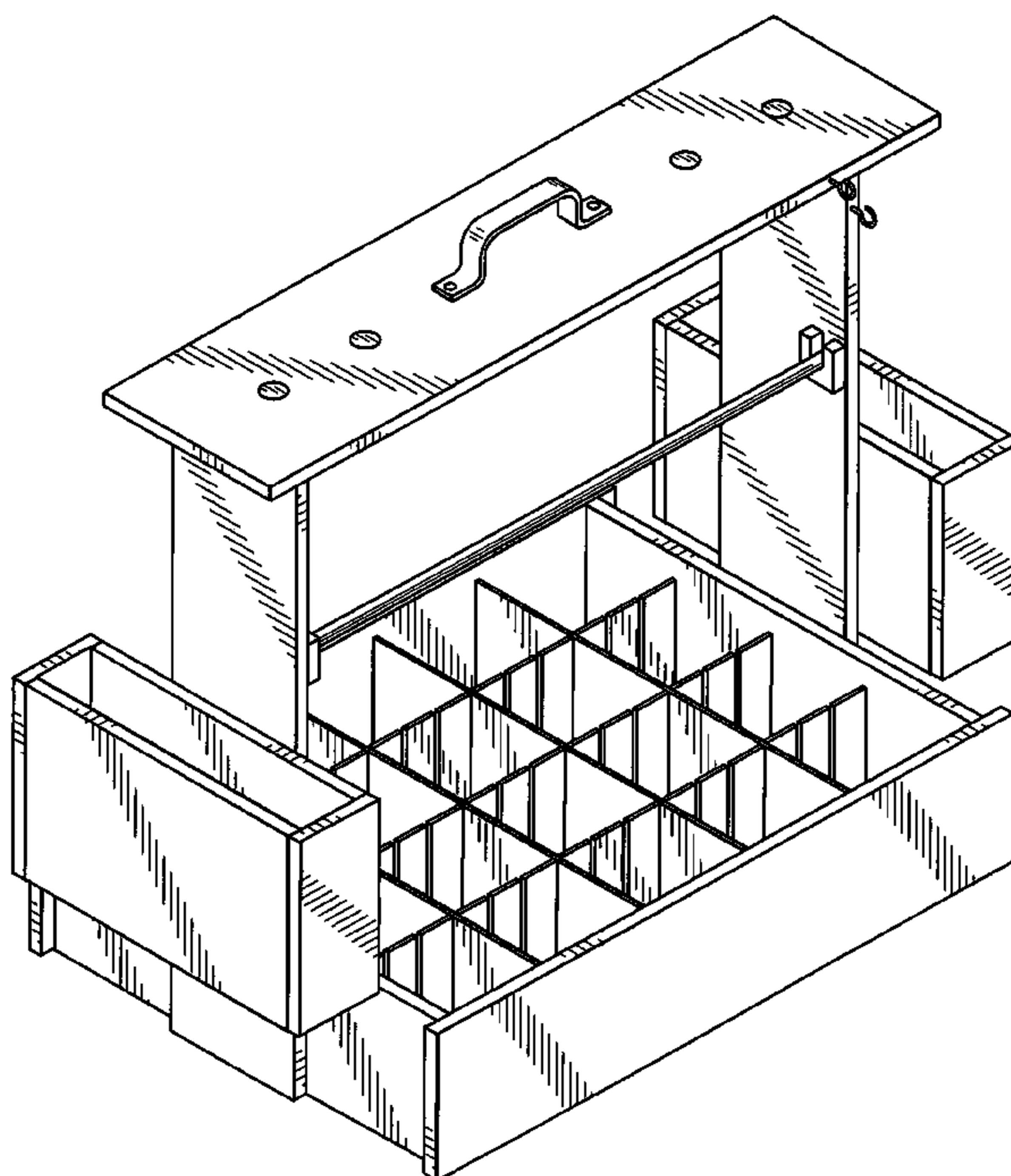
FIG. 5 shows the other side view of the presently claimed design.

FIG. 6 shows the top view of the presently claimed design; and,

FIG. 7 shows the bottom view of the presently claimed design.

The broken line showing of is included for the purpose of illustrating environment and forms no part of the claimed design.

1 Claim, 6 Drawing Sheets



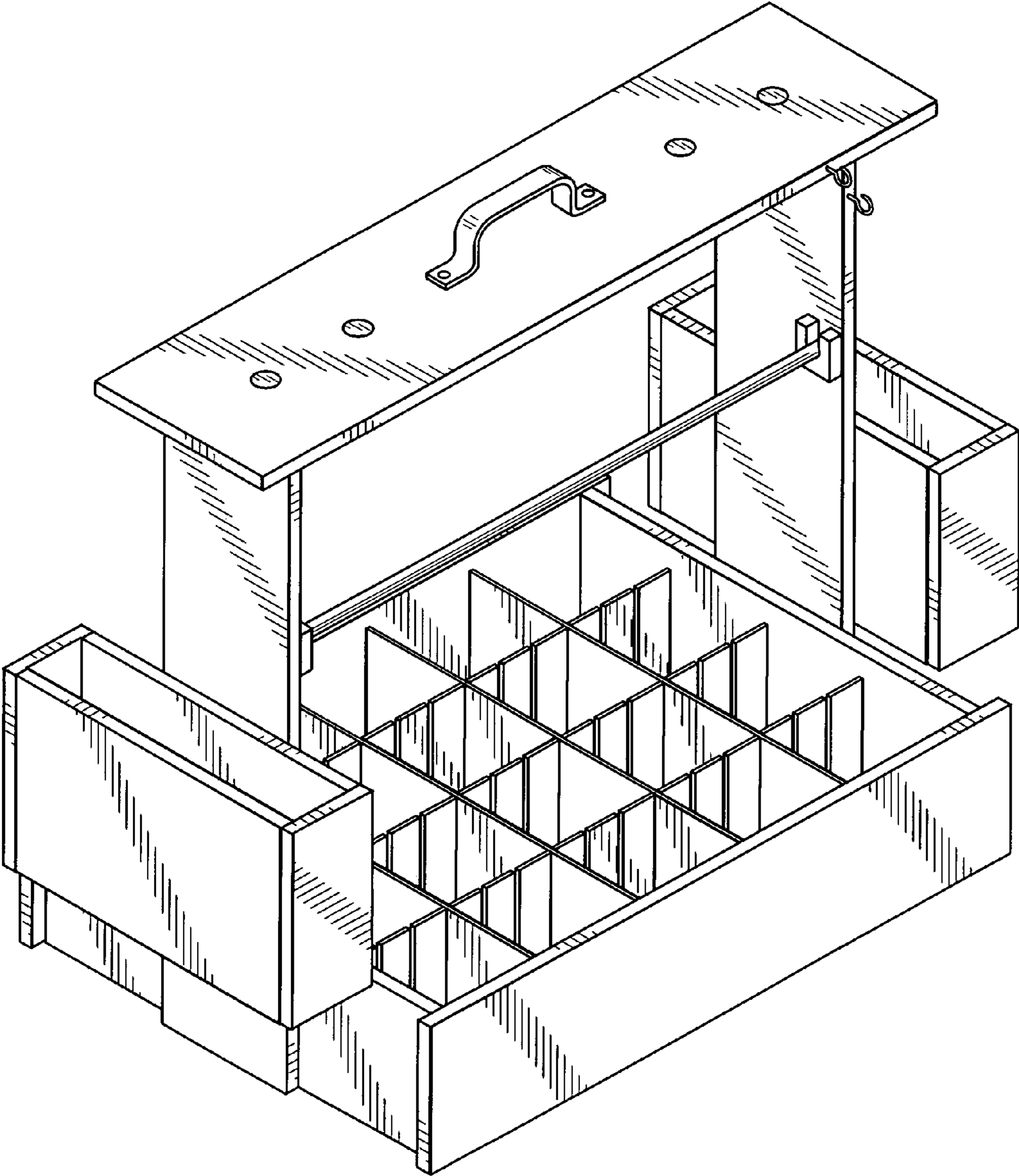


FIG. 1

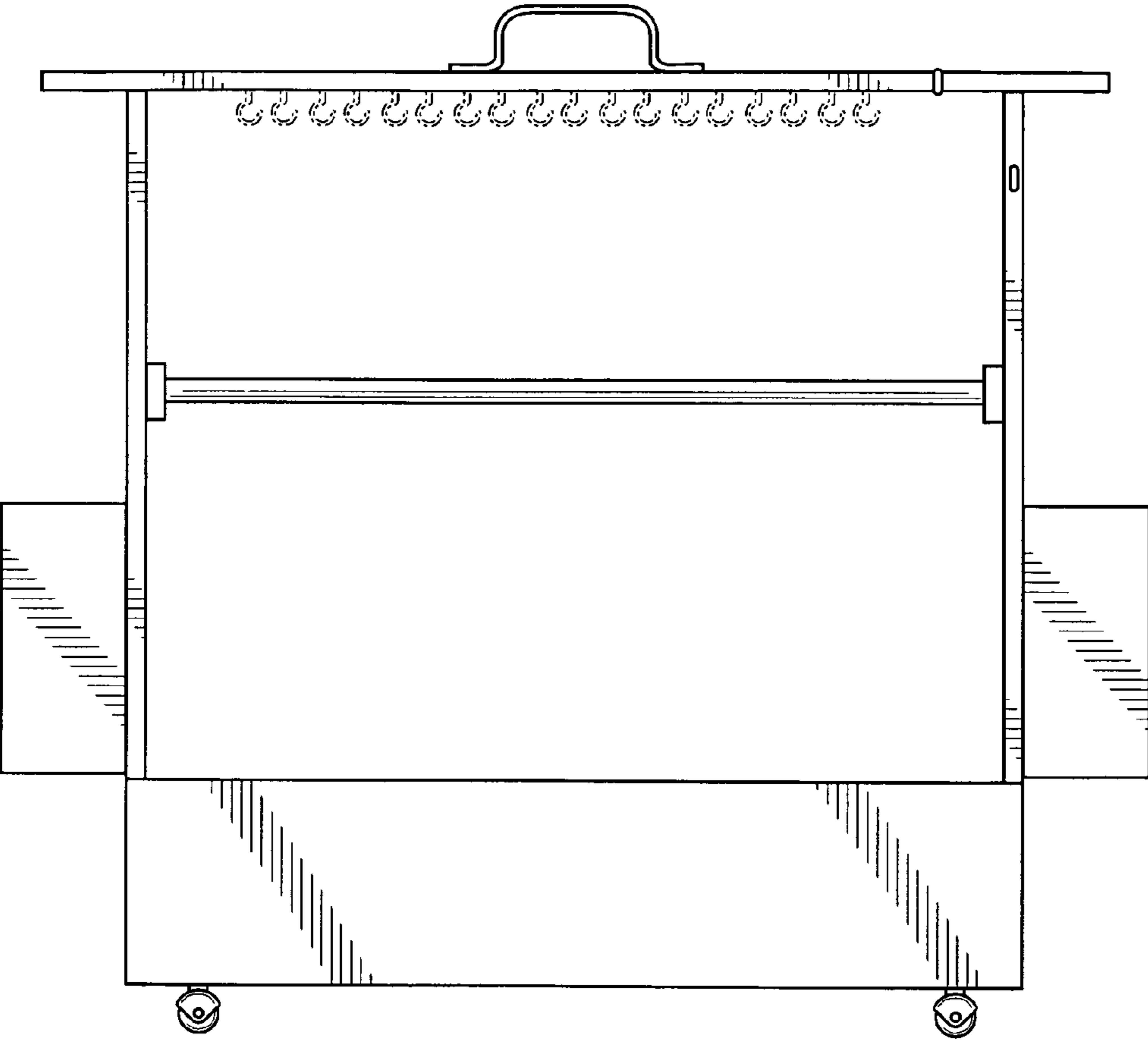


FIG. 2

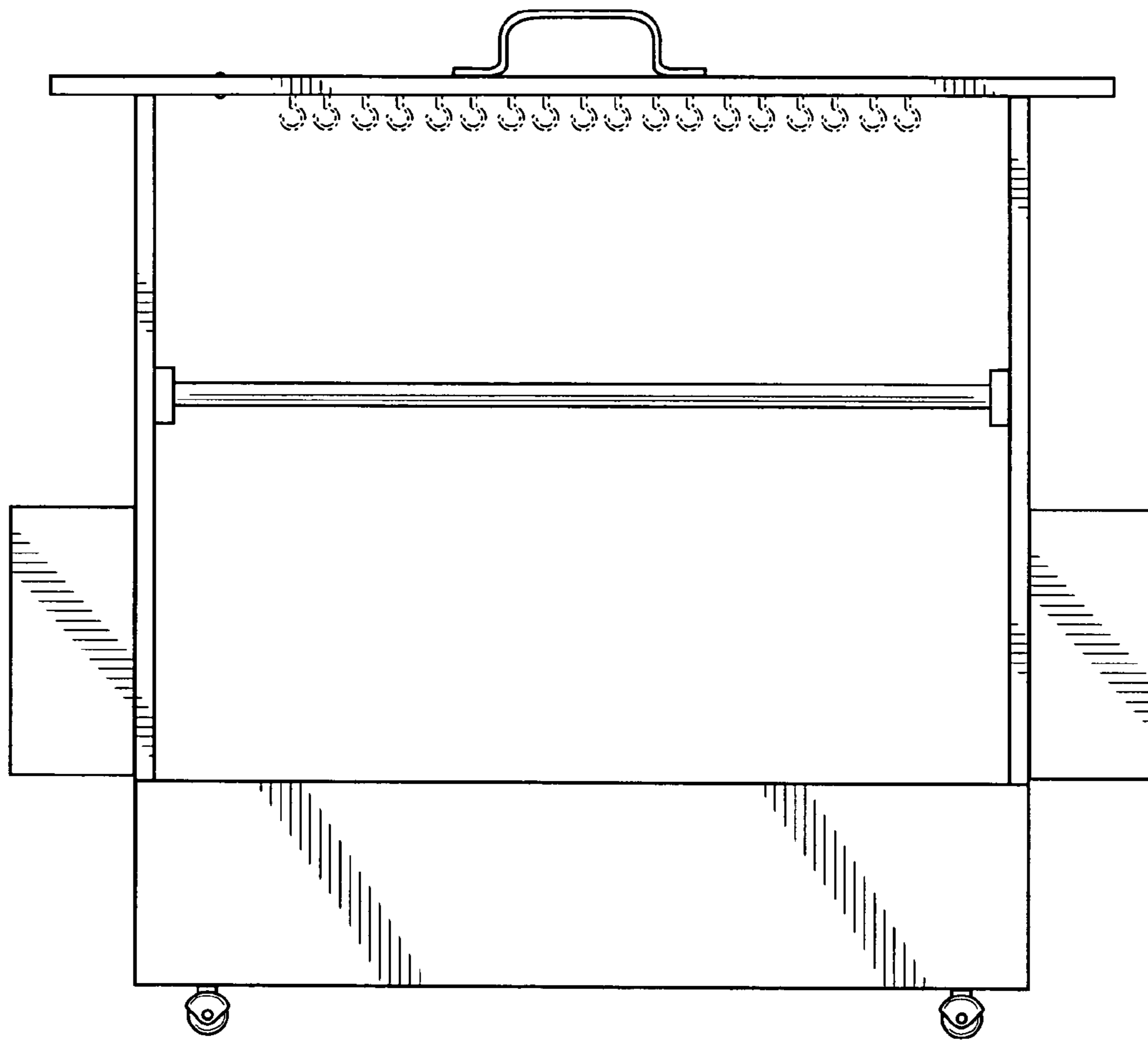


FIG. 3

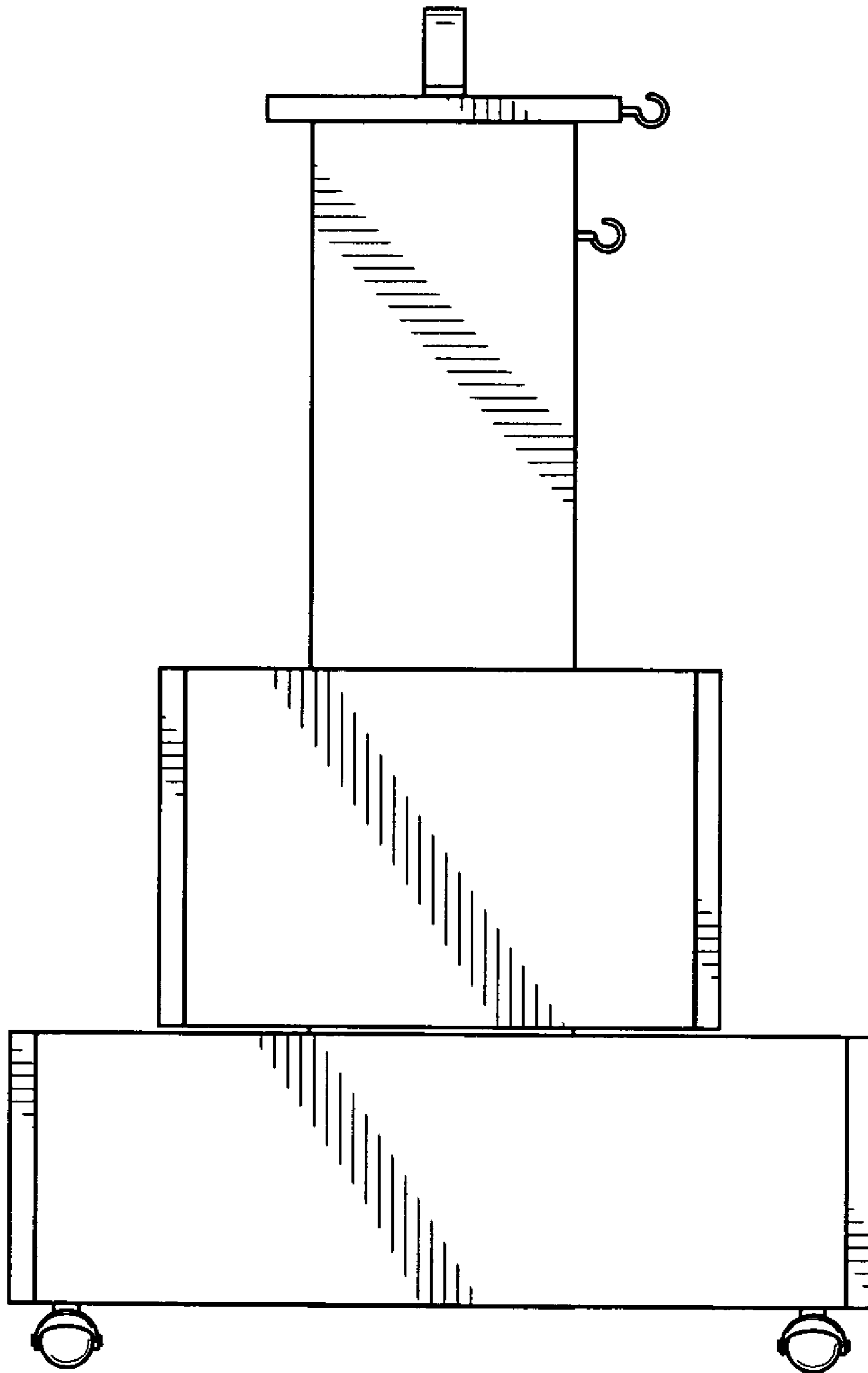


FIG. 4

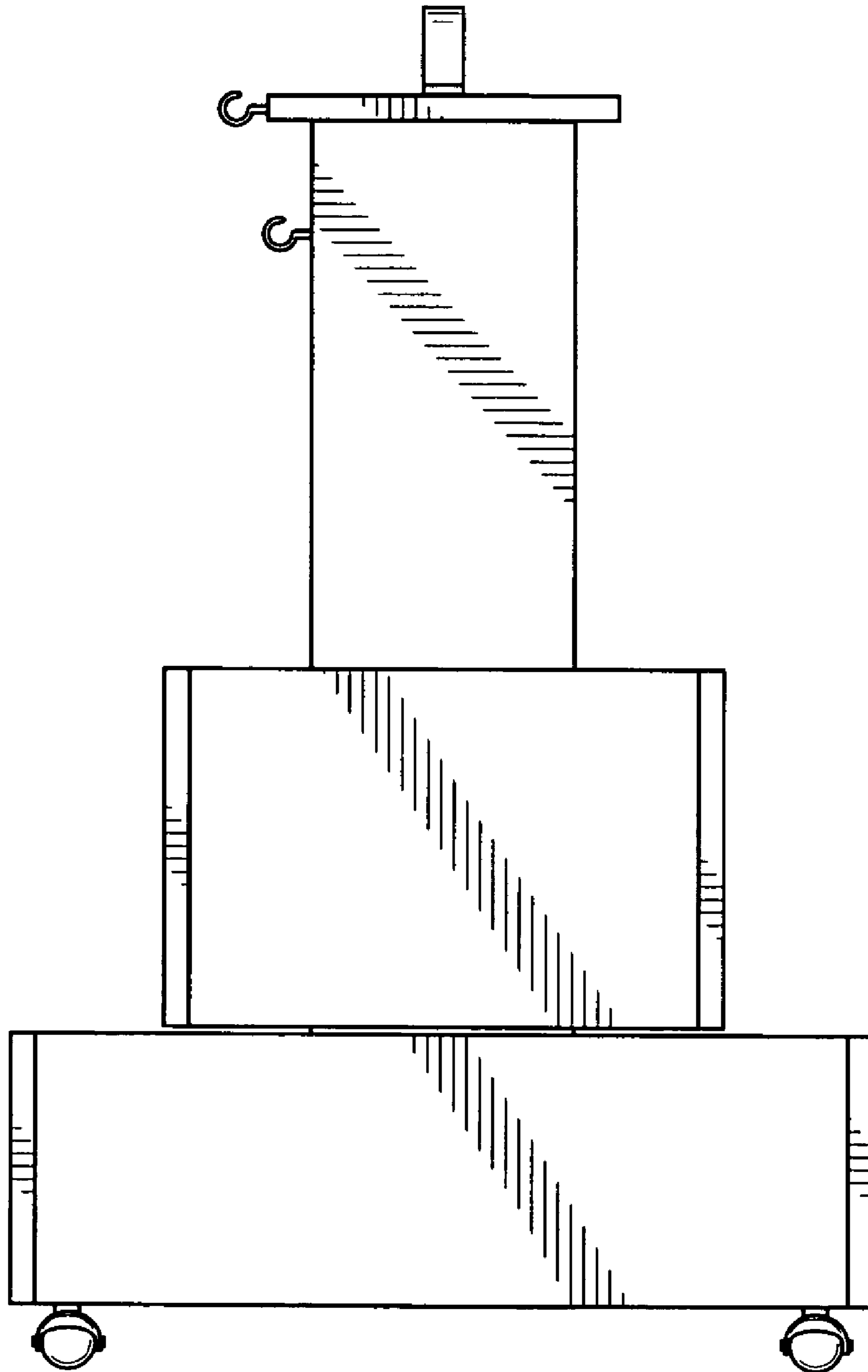


FIG. 5

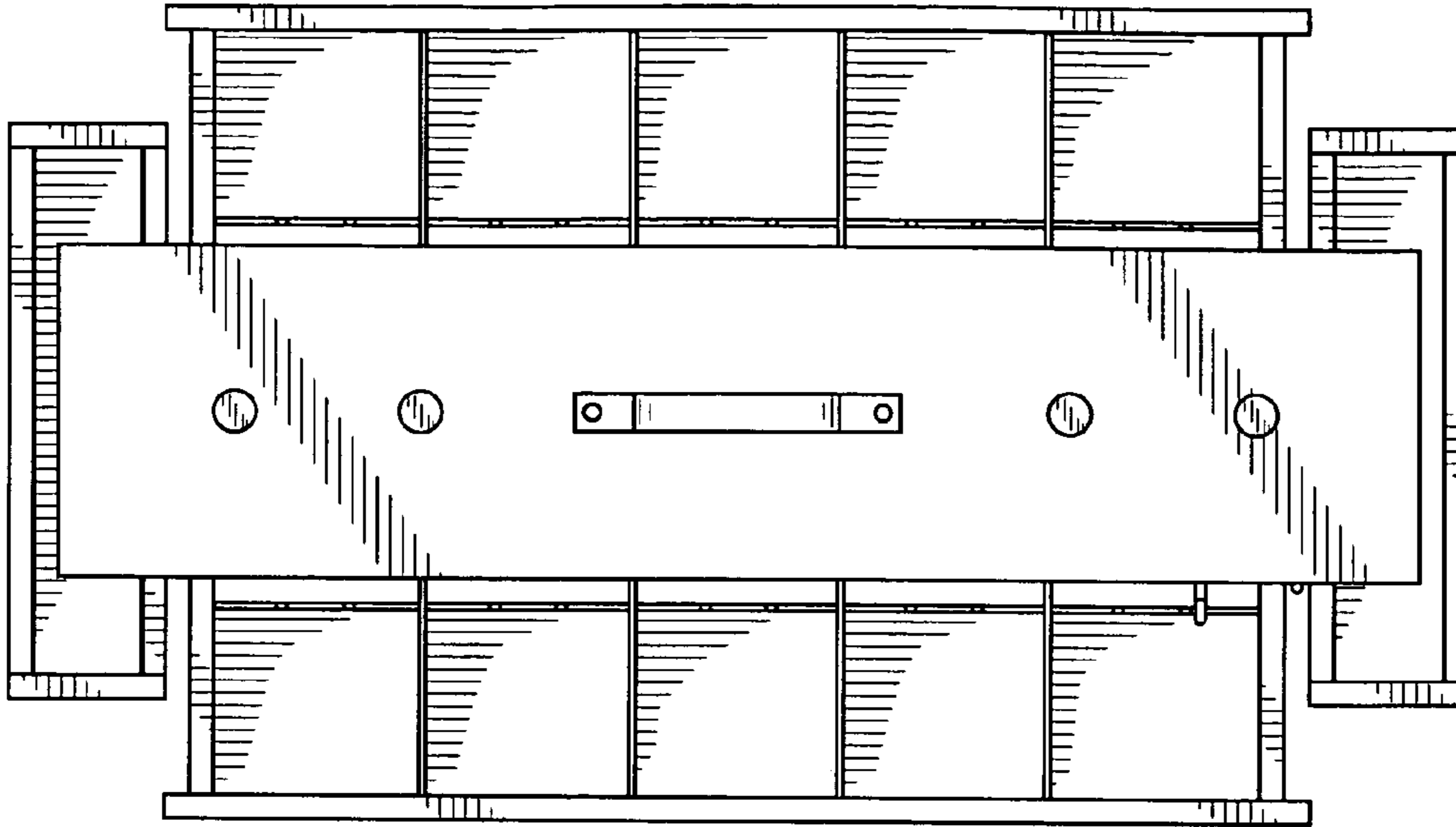


FIG. 6

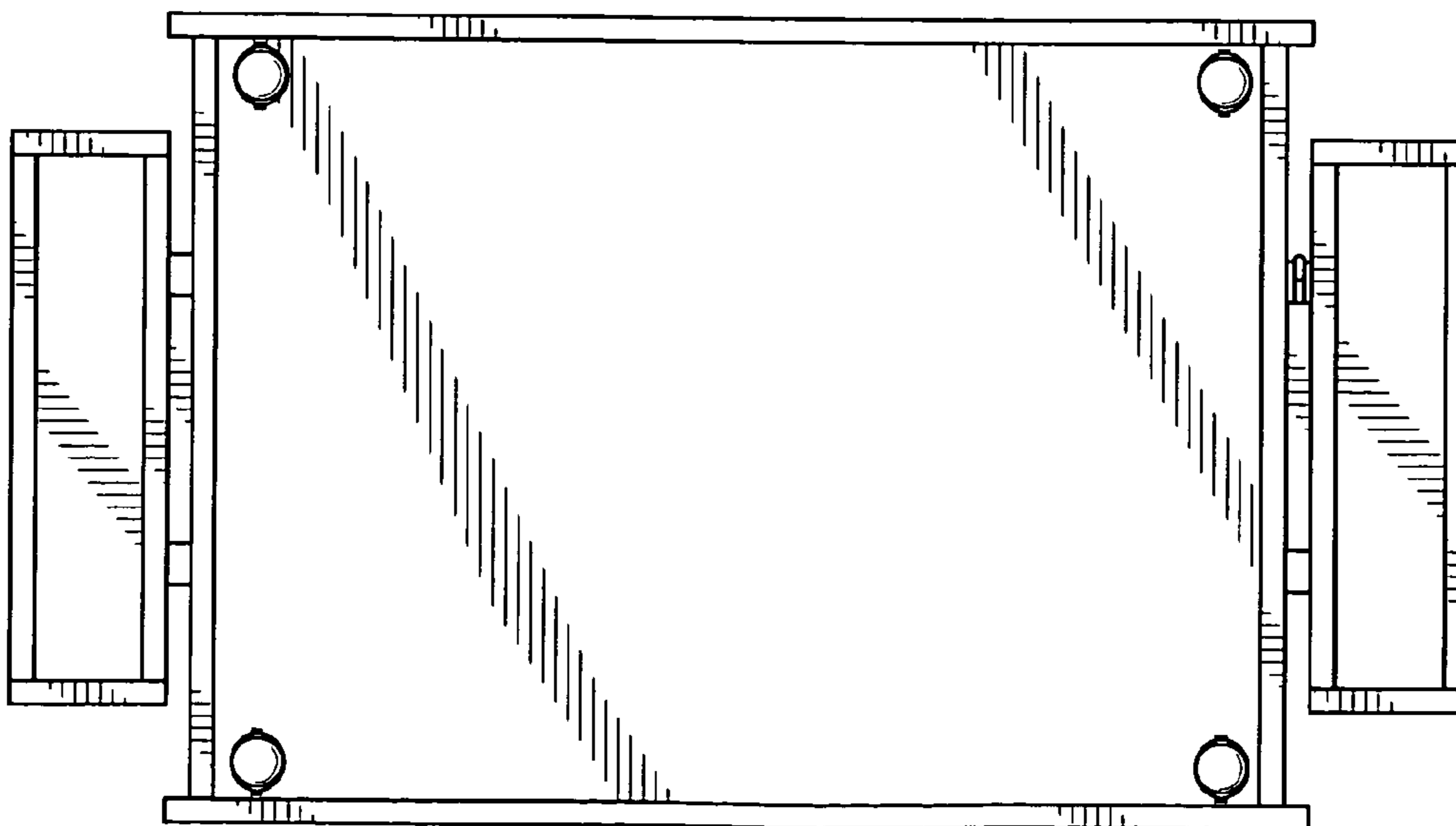


FIG. 7