

US00D639065S

(12) **United States Design Patent**
Duvigneau

(10) **Patent No.:** **US D639,065 S**
(45) **Date of Patent:** **** Jun. 7, 2011**

(54) **BOX WITH COVER**

(75) Inventor: **Nikolai Duvigneau, Zichron Yaacov (IL)**

(73) Assignee: **Curver Luxembourg Sarl, Neidercorn (LU)**

(**) Term: **14 Years**

(21) Appl. No.: **29/364,119**

(22) Filed: **Jun. 18, 2010**

(30) **Foreign Application Priority Data**

Dec. 21, 2009 (EM) 001650326-0001
Dec. 21, 2009 (EM) 001650326-0002

(51) **LOC (9) Cl.** **03-01**

(52) **U.S. Cl.** **D3/302**

(58) **Field of Classification Search** D3/272-273,
D3/284; 190/1, 4-5, 19; 206/278, 296
See application file for complete search history.

(56) **References Cited**

U.S. PATENT DOCUMENTS

D414,335 S * 9/1999 Cheyn D3/276
D518,957 S * 4/2006 DeCarlo et al. D3/302

D563,105 S * 3/2008 Rothschild D3/302
D578,758 S * 10/2008 Stevens et al. D3/272
D580,171 S * 11/2008 Weng et al. D3/294

* cited by examiner

Primary Examiner — Holly Baynham

(74) *Attorney, Agent, or Firm* — The Nath Law Group;
Susanne M. Hopkins; William L. Klima

(57) **CLAIM**

What is claimed is the ornamental design for a box with cover,
as shown and described.

DESCRIPTION

FIG. 1 is a perspective view of a first design for a box with cover;

FIG. 2 is a side view of the first design for a box with cover; the other side being identical;

FIG. 3 is a front view of the first design for a box with cover; the rear view being identical; and

FIG. 4 is a top view of the first design for a box with cover.

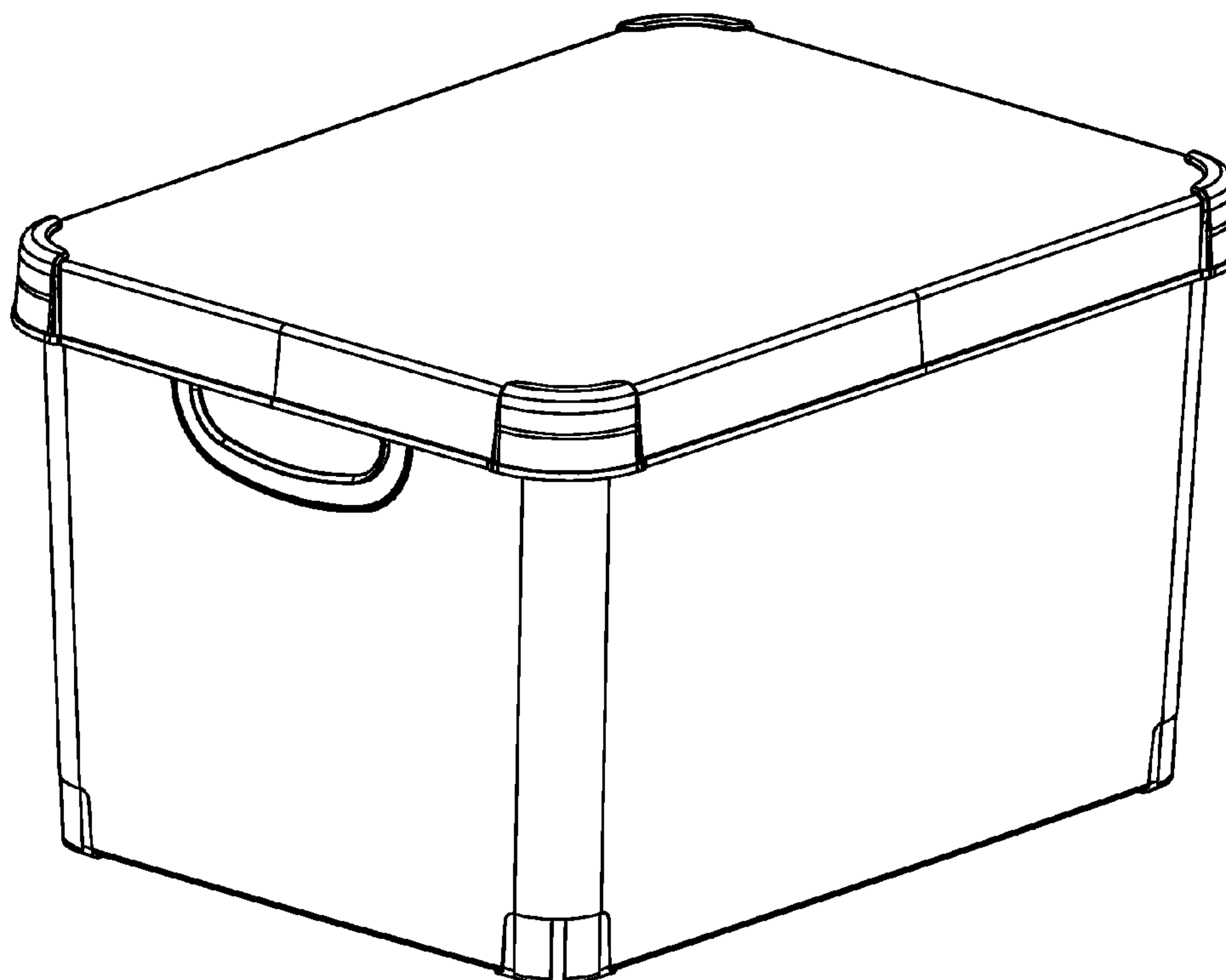
FIG. 5 is a perspective view of a second embodiment for a box with cover;

FIG. 6 is a side view of the second embodiment for a box with cover; other side being identical;

FIG. 7 is a front view of the first embodiment for a box with cover; rear view being identical; and,

FIG. 8 is a top view of the second embodiment for a box with cover.

1 Claim, 8 Drawing Sheets



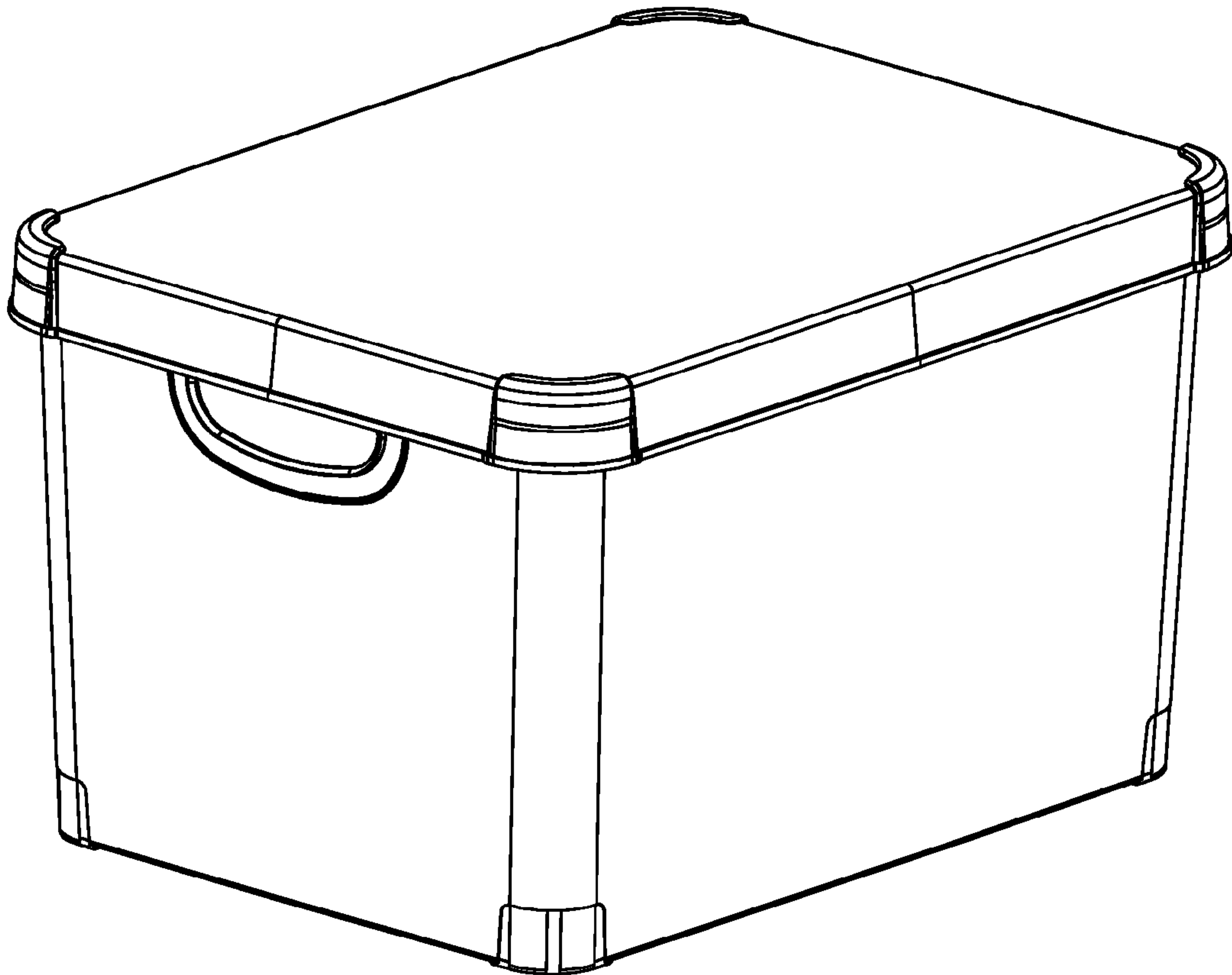


FIG. 1

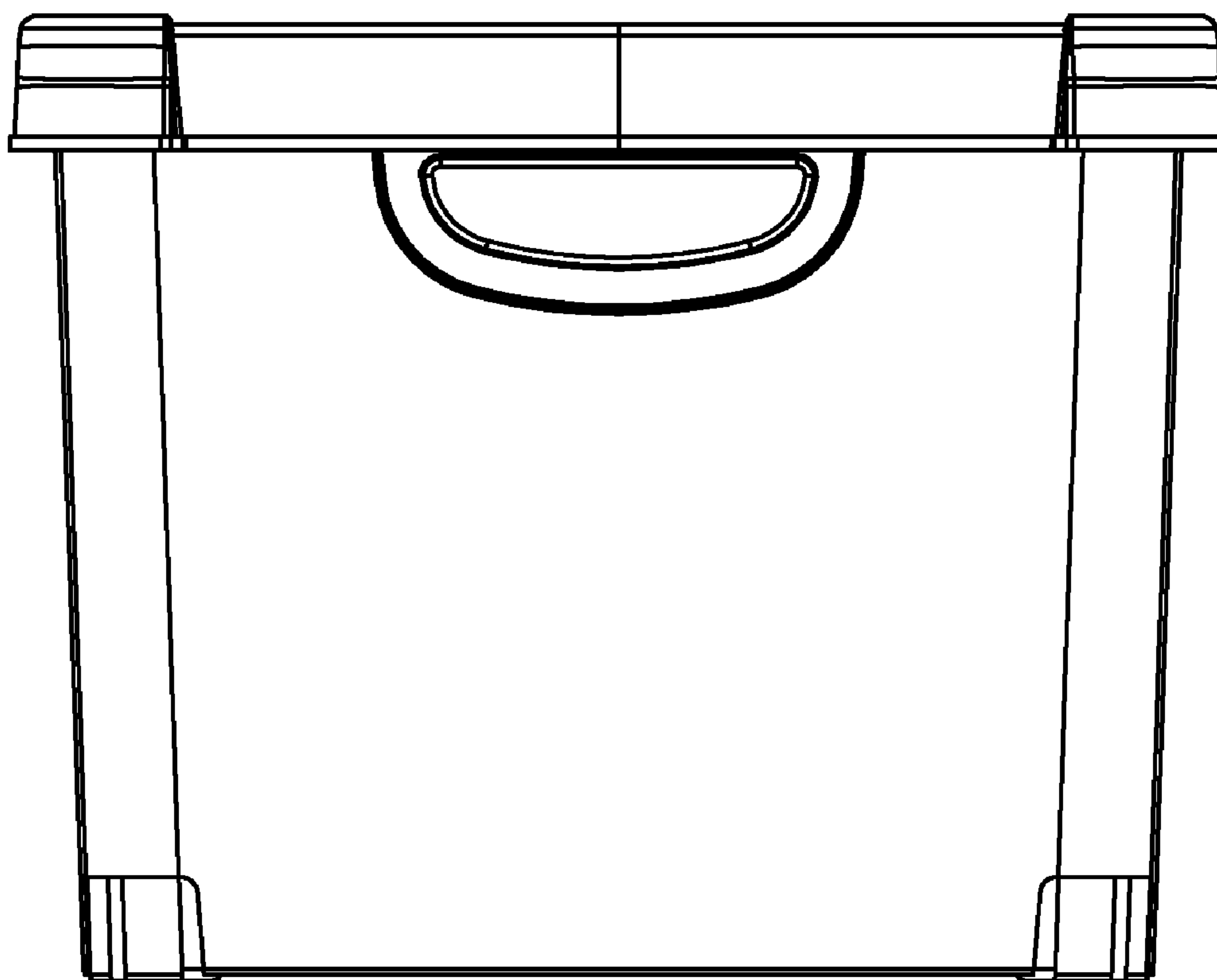


FIG. 2

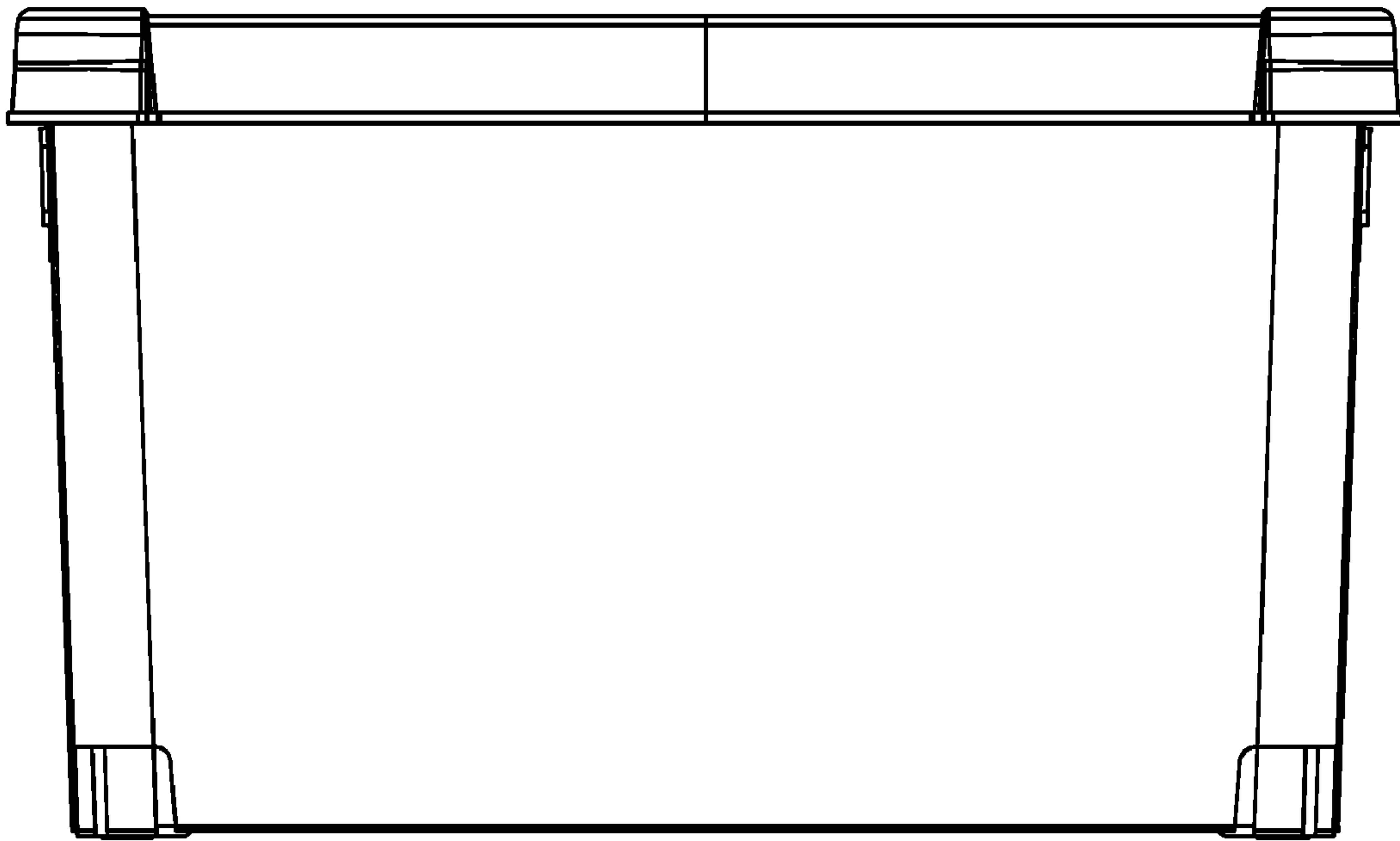


FIG. 3

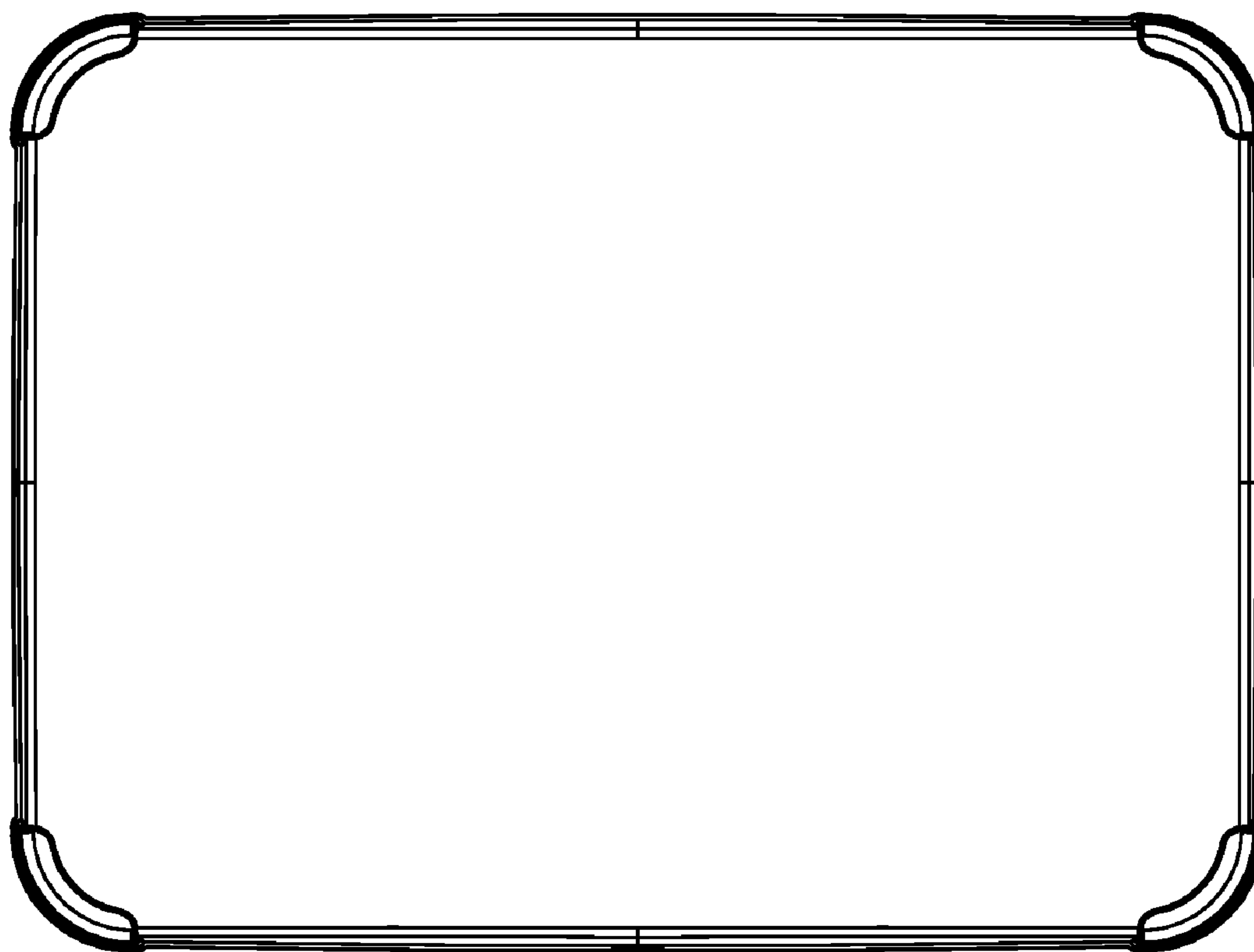


FIG. 4

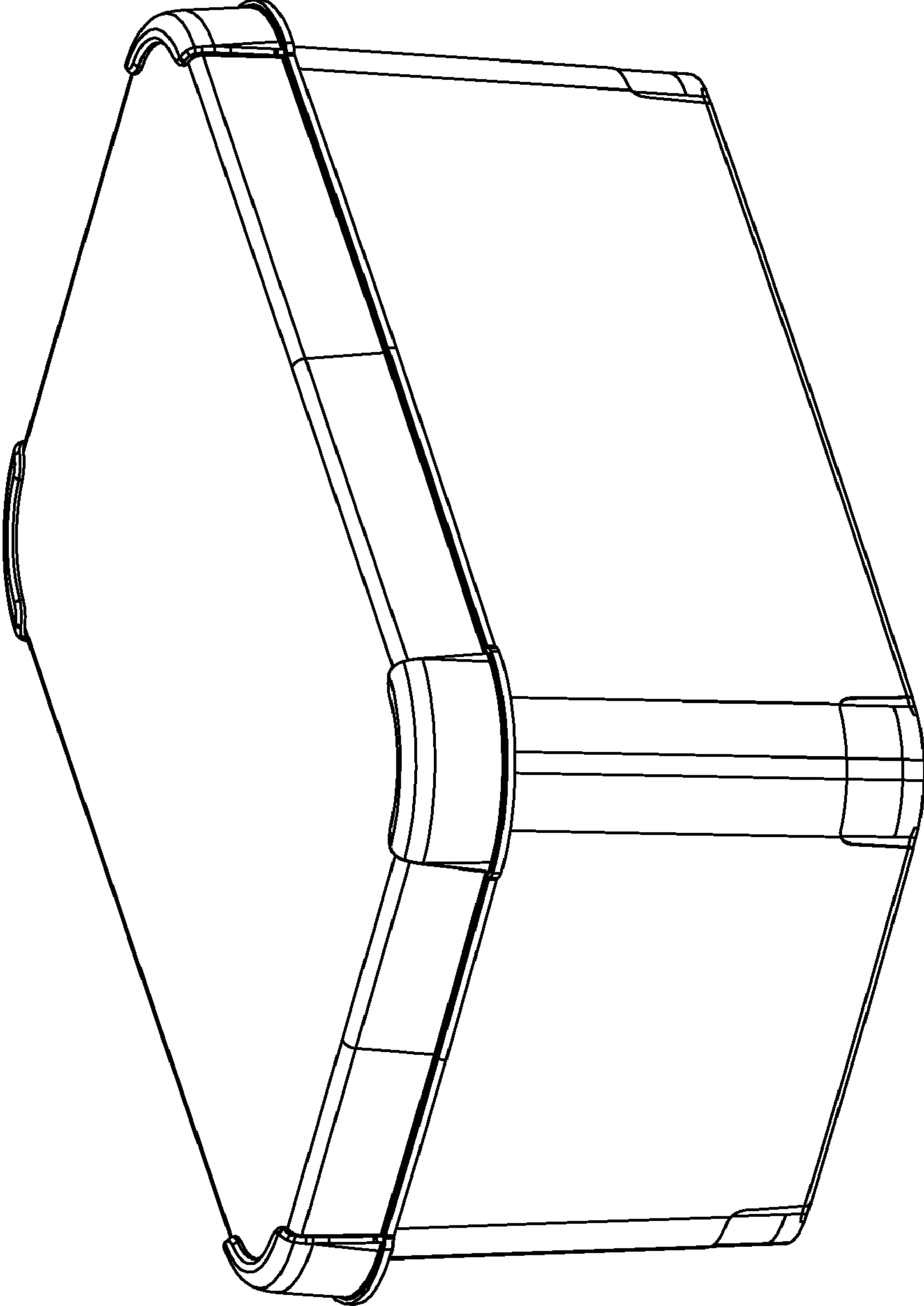


FIG. 5

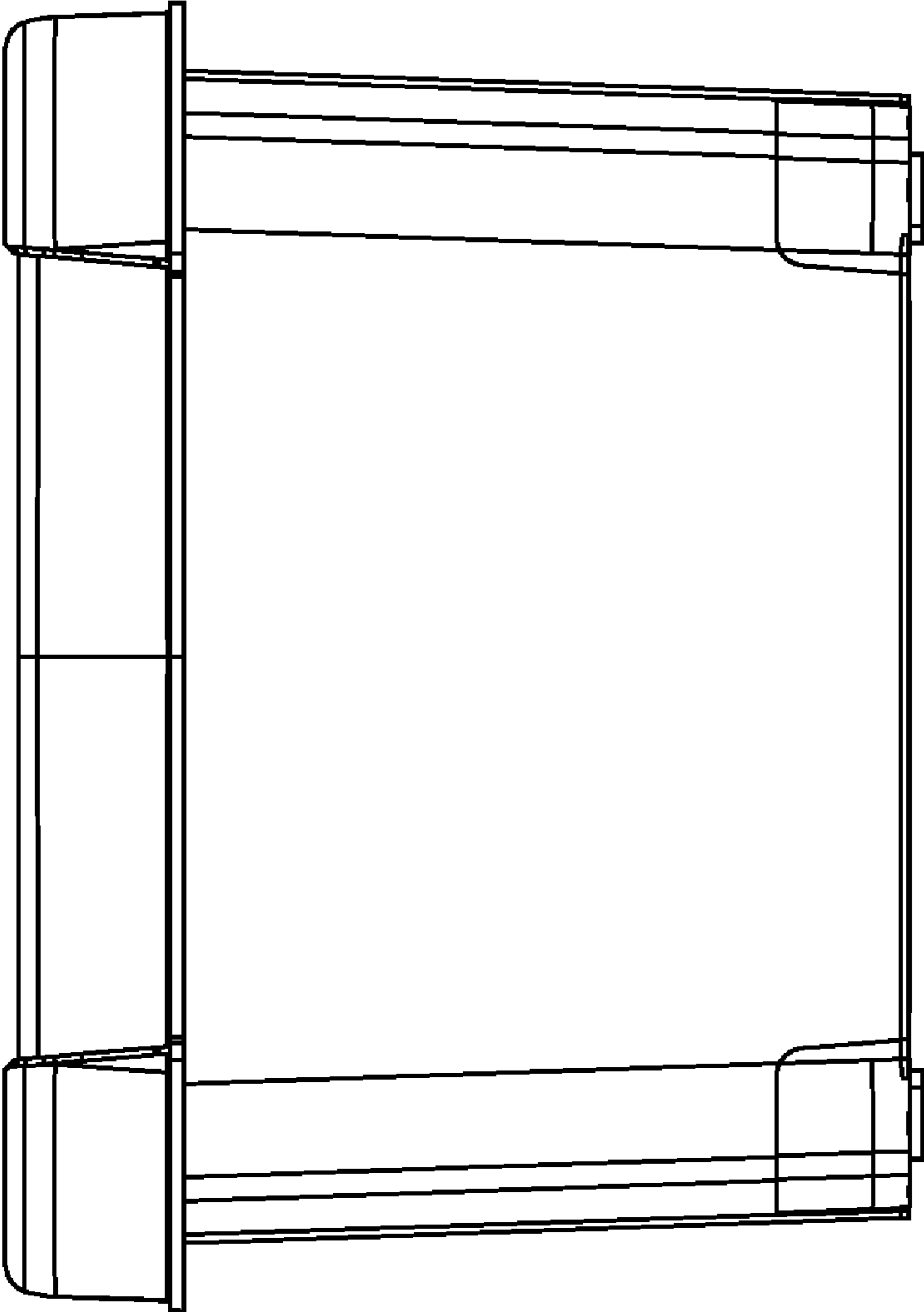


FIG. 6

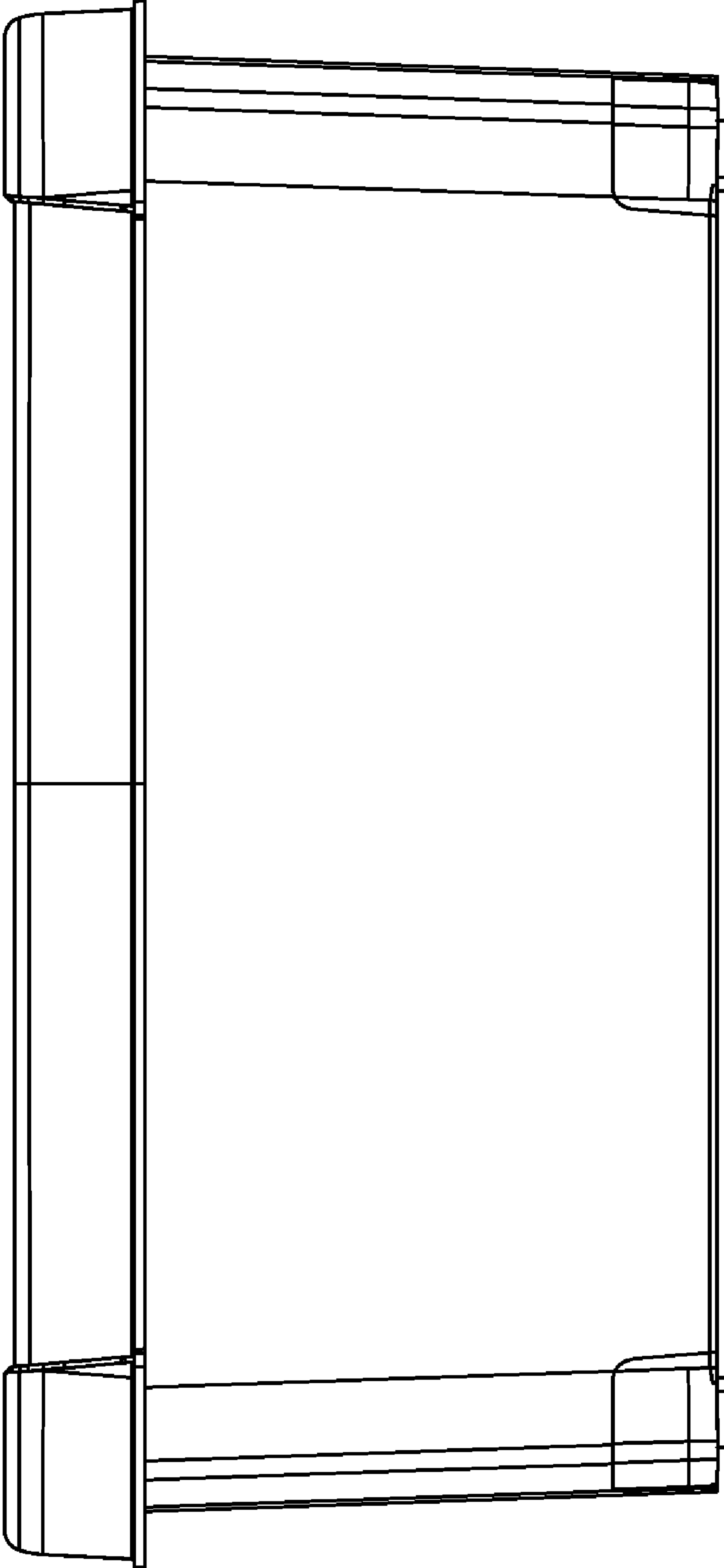


FIG. 7

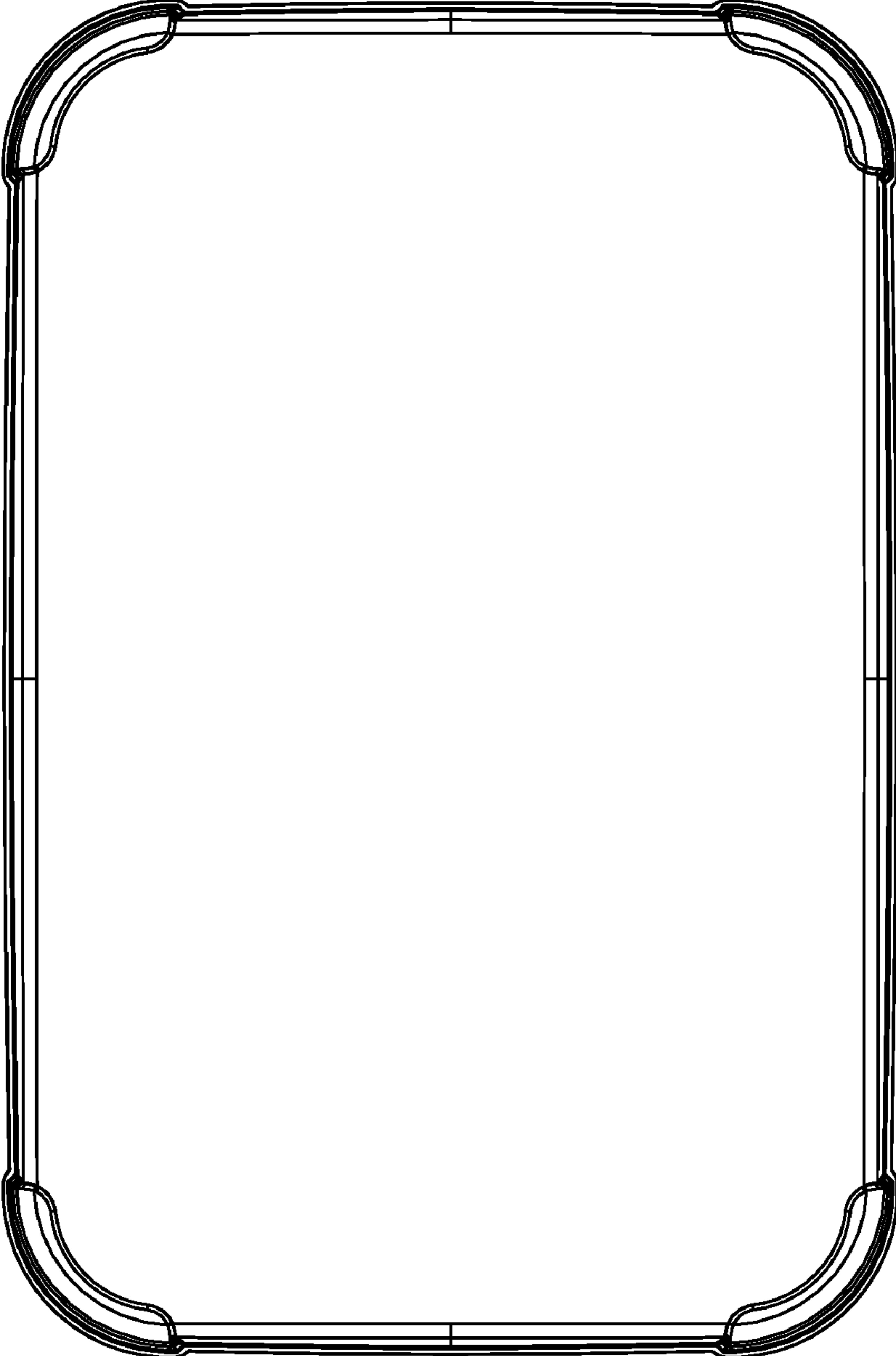


FIG. 8