



US00D639059S

(12) **United States Design Patent**
Fraiman et al.

(10) **Patent No.:** **US D639,059 S**
(45) **Date of Patent:** **** Jun. 7, 2011**

(54) **ORGANIZER**

(75) Inventors: **Zvika Fraiman**, Havazelet Hasharon (IL); **Gil Vilkomirski**, Petach-Tiqwa (IL)

(73) Assignee: **The Stanley Works Israel Ltd.**, Rosh Ha' Ayin (IL)

(**) Term: **14 Years**

(21) Appl. No.: **29/367,779**

(22) Filed: **Aug. 12, 2010**

(51) **LOC (9) Cl.** **03-01**

(52) **U.S. Cl.** **D3/282**

(58) **Field of Classification Search** D3/273,
D3/274, 276, 280–284, 286, 288, 291, 292,
D3/294–295, 905; 206/349, 372–379; 220/523,
220/527

See application file for complete search history.

(56) **References Cited**

U.S. PATENT DOCUMENTS

D374,771	S	*	10/1996	Guegan et al.	D3/276
D399,652	S	*	10/1998	Fang	D3/282
D429,884	S	*	8/2000	Zurwelle et al.	D3/281
D481,868	S	*	11/2003	Cunningham et al.	D3/273
6,648,166	B2	*	11/2003	Levy	206/373
D523,635	S	*	6/2006	Chen	D3/282

* cited by examiner

Primary Examiner — Jennifer Rivard

(74) *Attorney, Agent, or Firm* — Pillsbury Winthrop Shaw Pittman LLP

(57) **CLAIM**

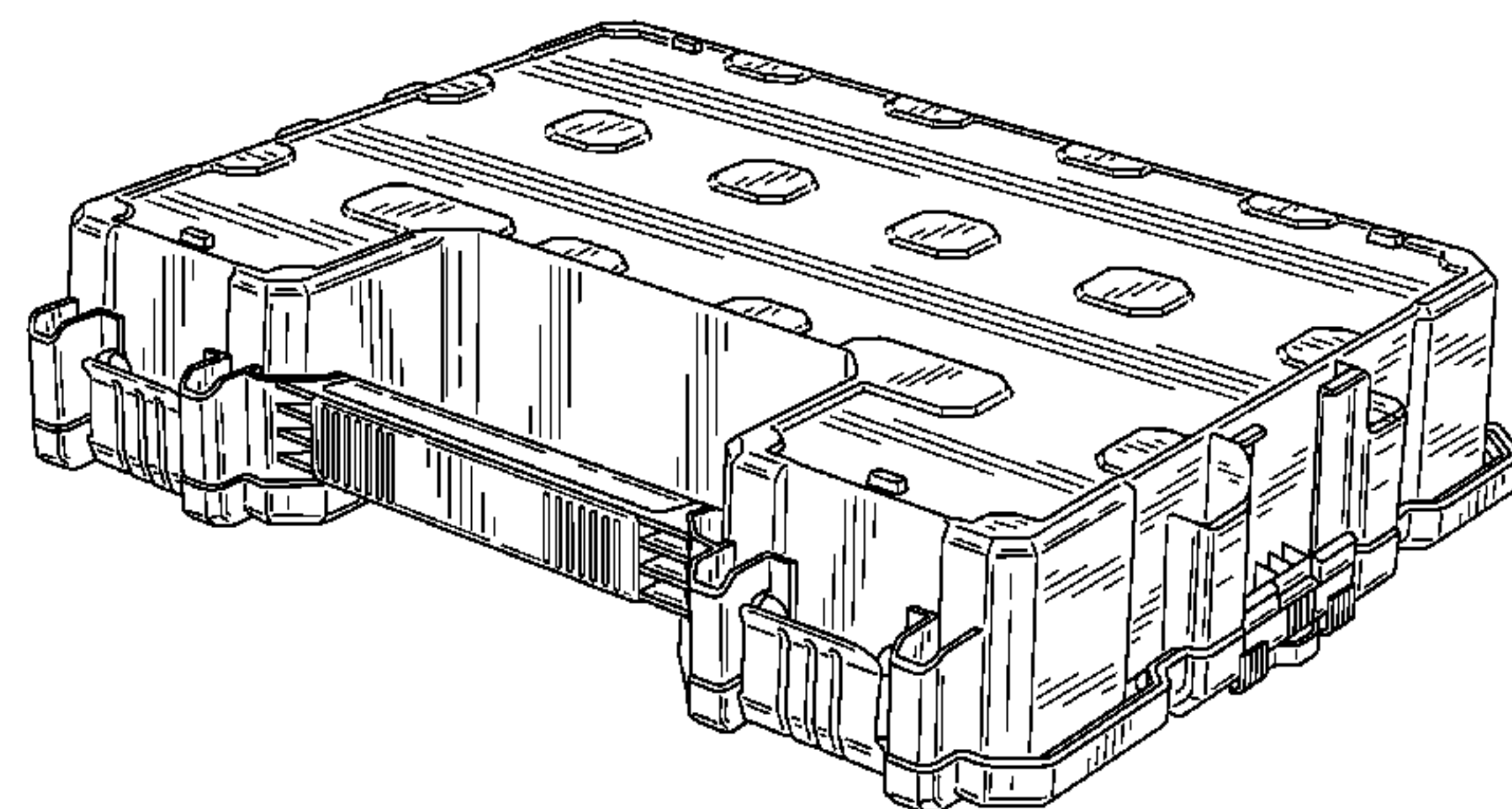
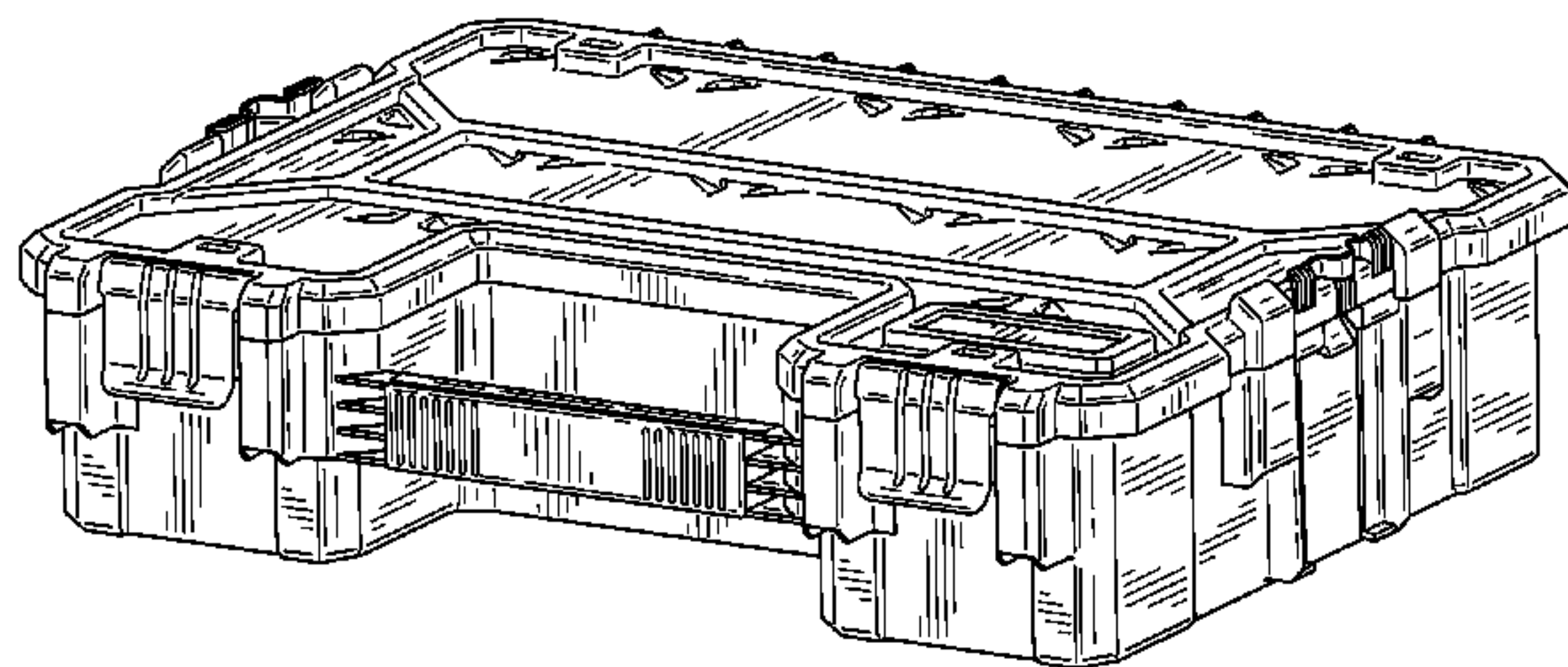
The ornamental design for an organizer, as shown and described.

DESCRIPTION

FIG. 1 is an isometric view according to our design; FIG. 2 is a front elevational view of the design of FIG. 1; FIG. 3 is a rear elevational view of the design of FIG. 1; FIG. 4 is a right elevational view of the design of FIG. 1; FIG. 5 is a left elevational view of the design of FIG. 1; FIG. 6 is a top plan view of the design of FIG. 1; FIG. 7 is a bottom plan view of the design of FIG. 1; and FIG. 8 is a bottom perspective view of the design of FIG. 1. In accordance with a second embodiment of the present invention:

FIG. 9 is an isometric view according to our design; FIG. 10 is a front elevational view of the design of FIG. 9; FIG. 11 is a rear elevational view of the design of FIG. 9; FIG. 12 is a right elevational view of the design of FIG. 9; FIG. 13 is a left elevational view of the design of FIG. 9; FIG. 14 is a top plan view of the design of FIG. 9; FIG. 15 is a bottom plan view of the design of FIG. 9; and, FIG. 16 is a bottom perspective view of the design of FIG. 9.

1 Claim, 12 Drawing Sheets



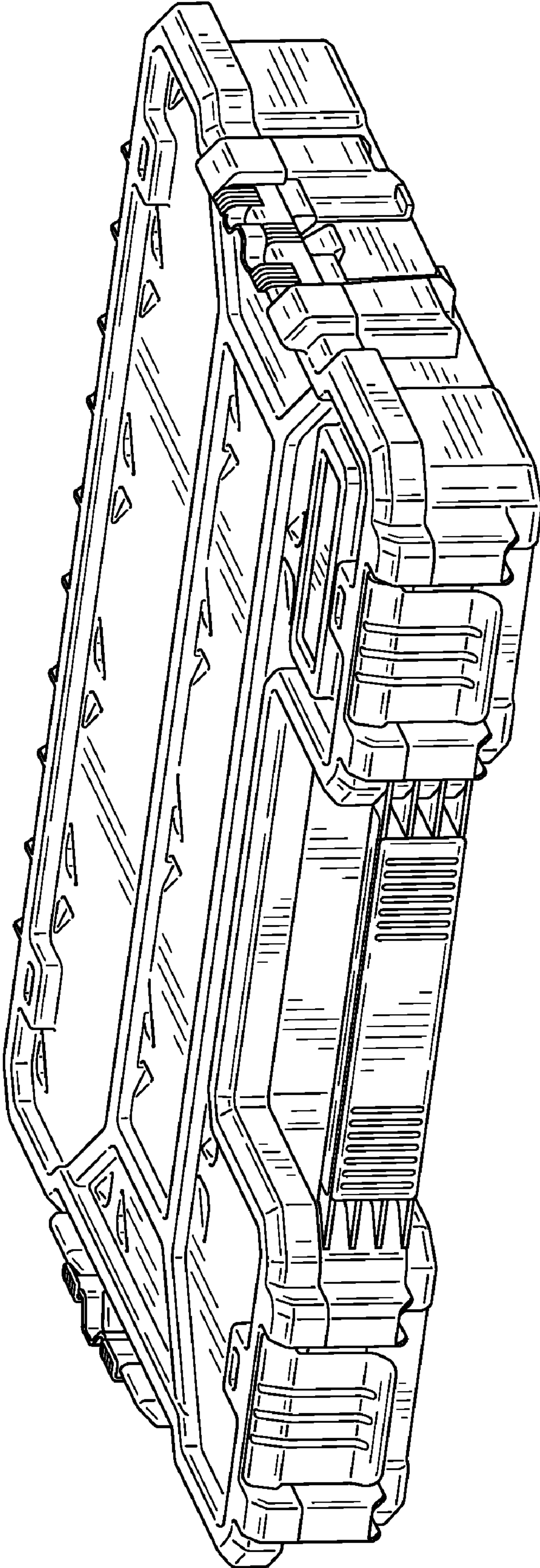


FIG. 1

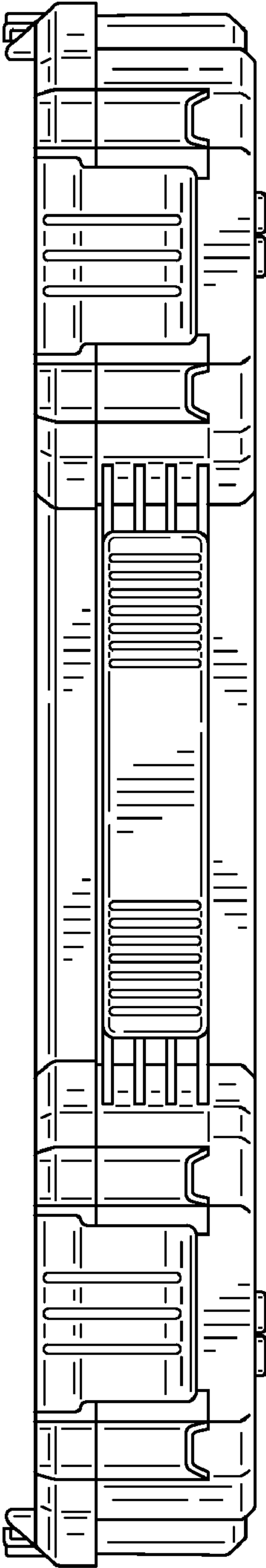


FIG. 2

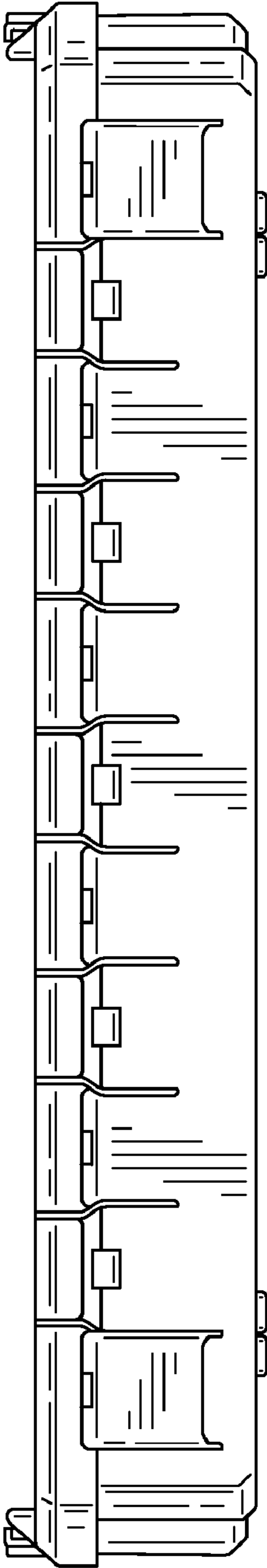


FIG. 3

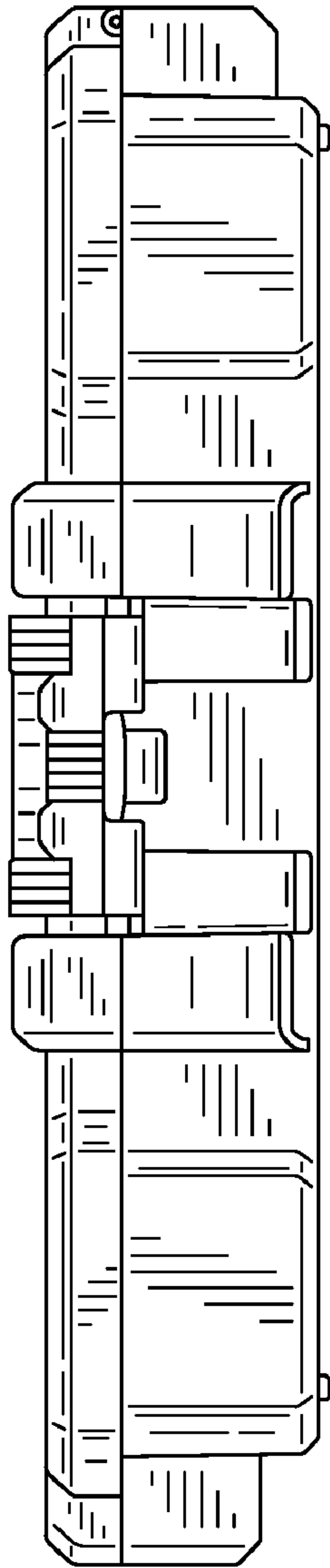


FIG. 4

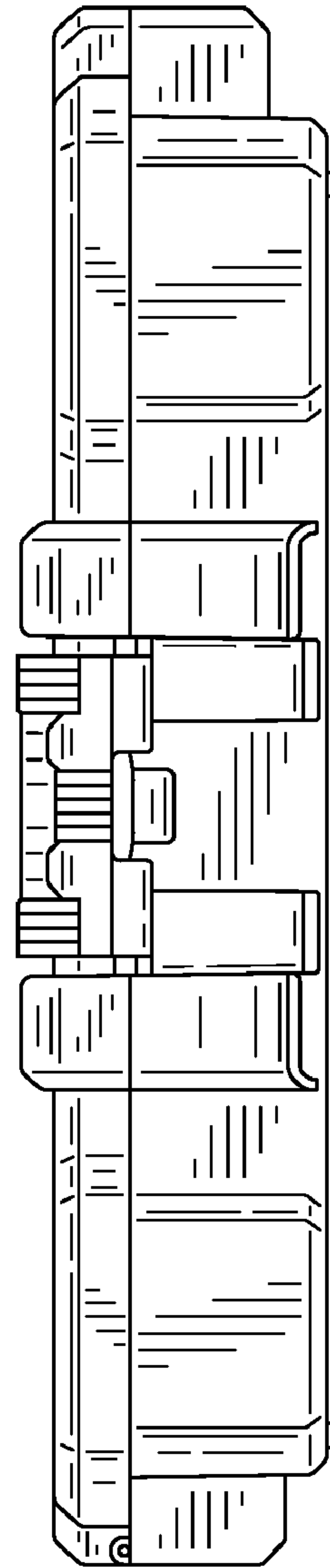


FIG. 5

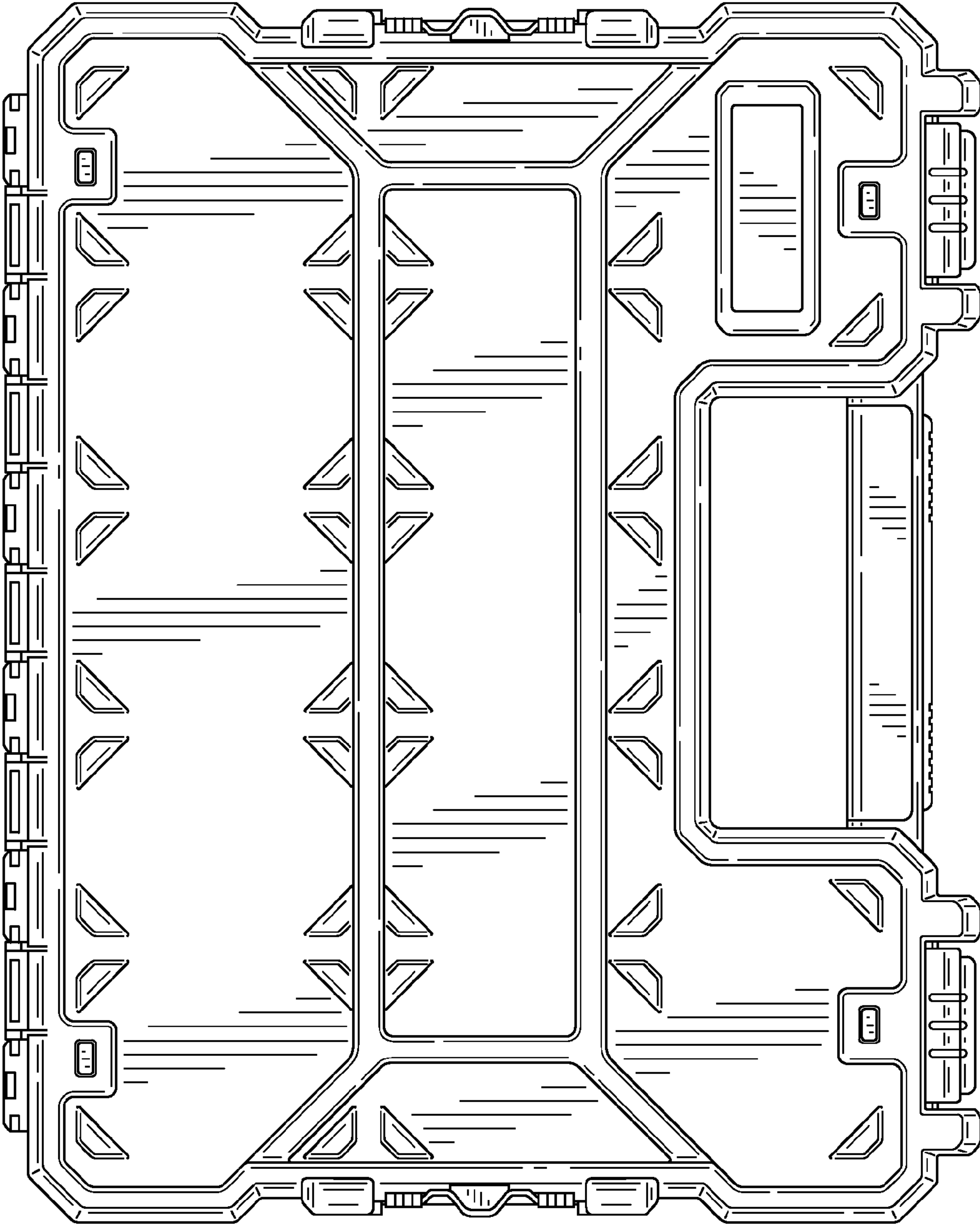


FIG. 6

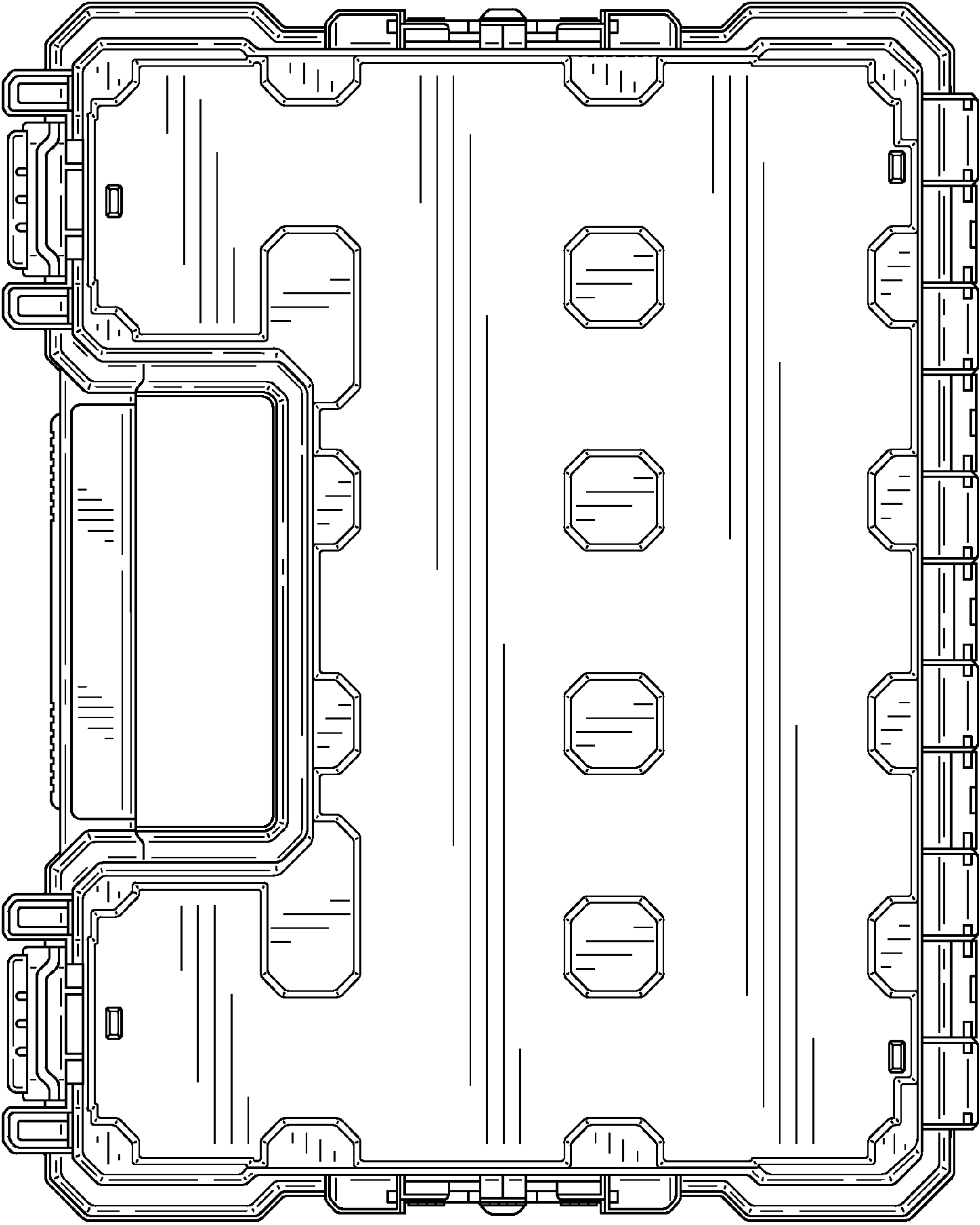


FIG. 7

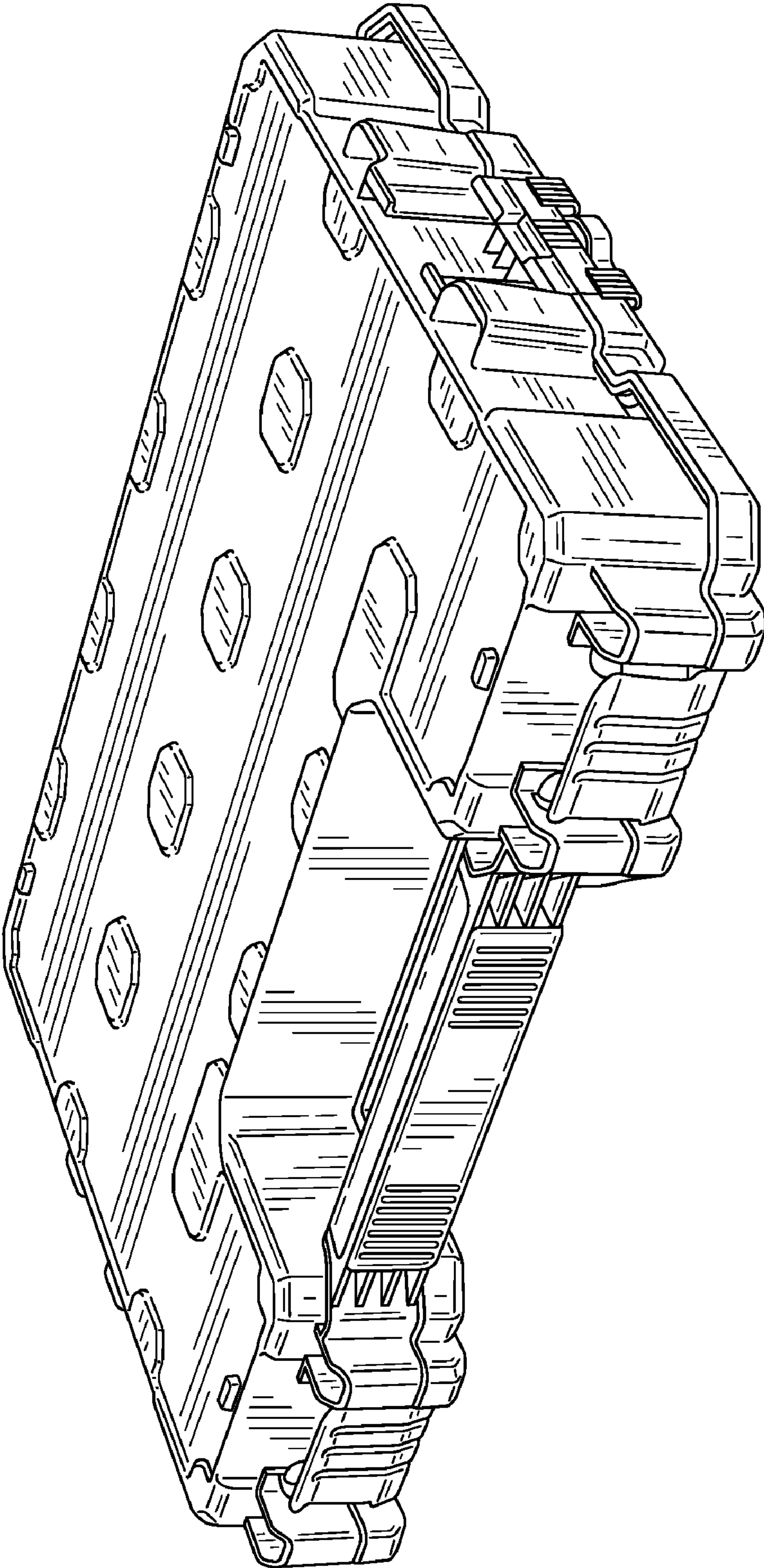


FIG. 8

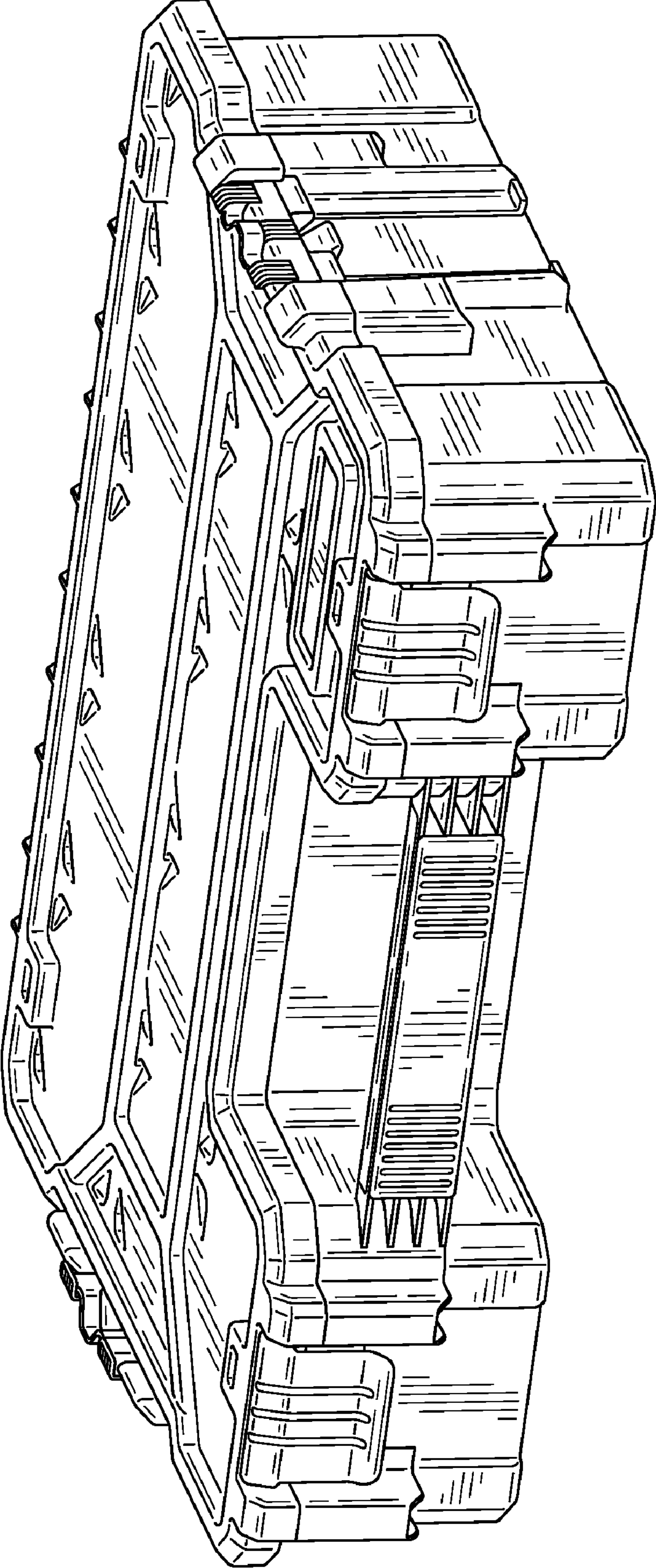


FIG. 9

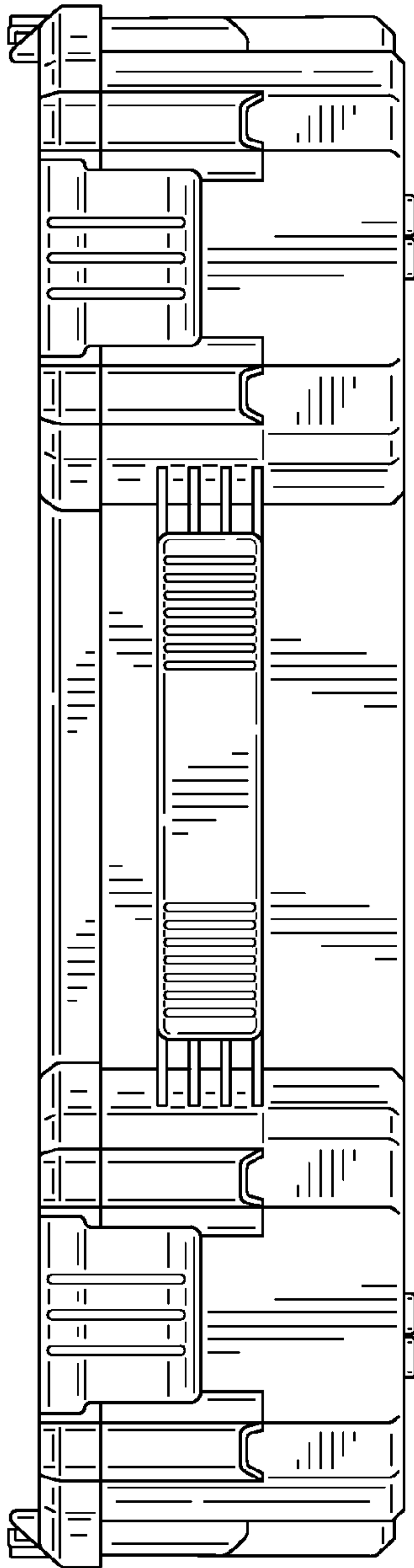


FIG. 10

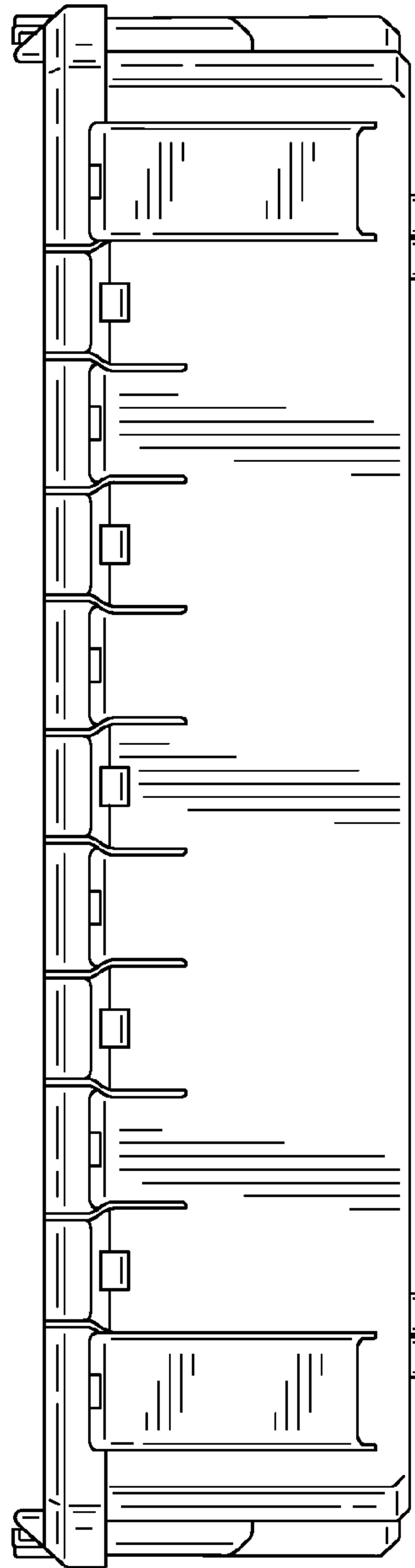


FIG. 11

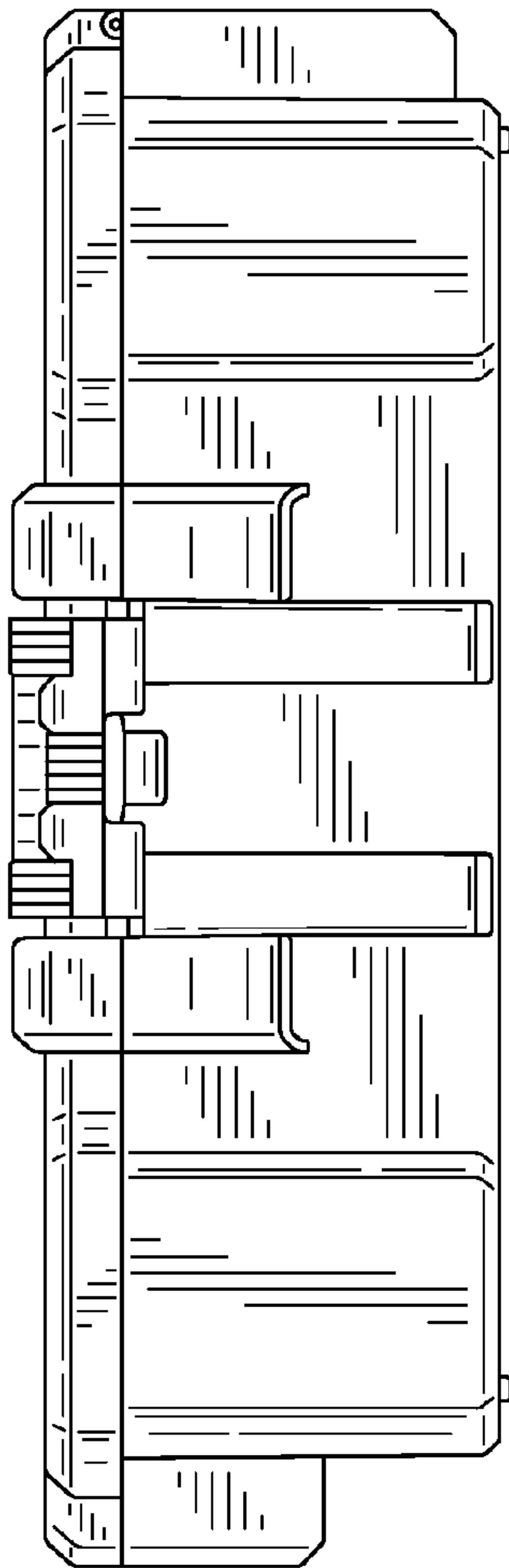


FIG. 12

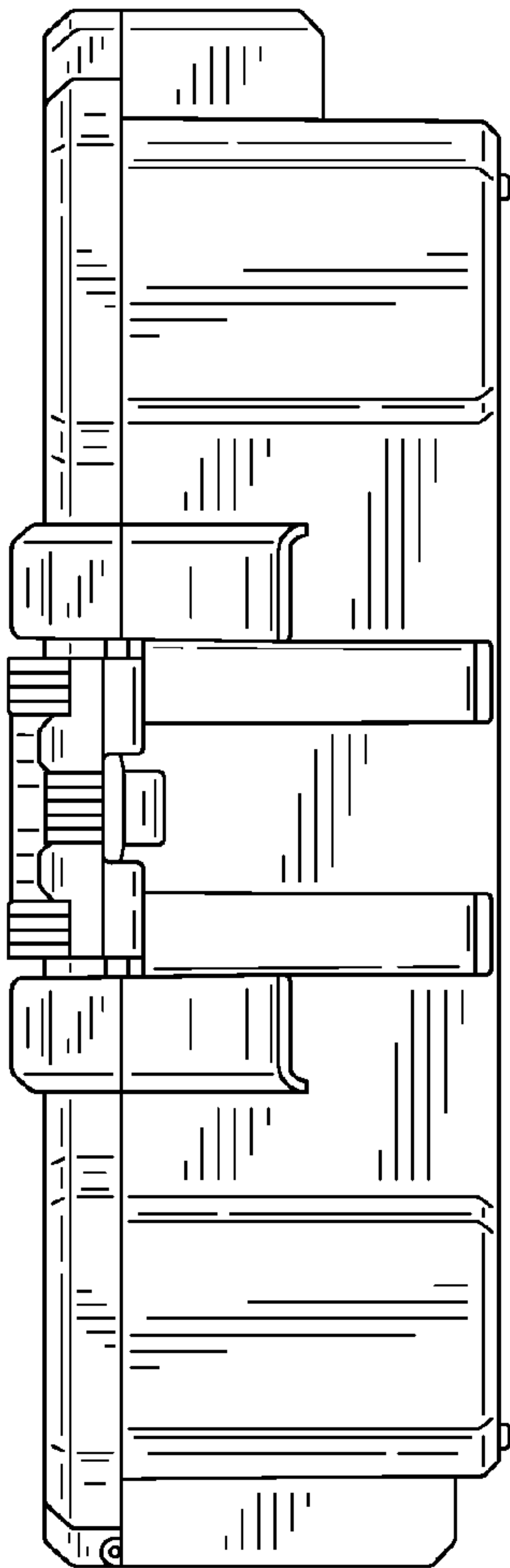


FIG. 13

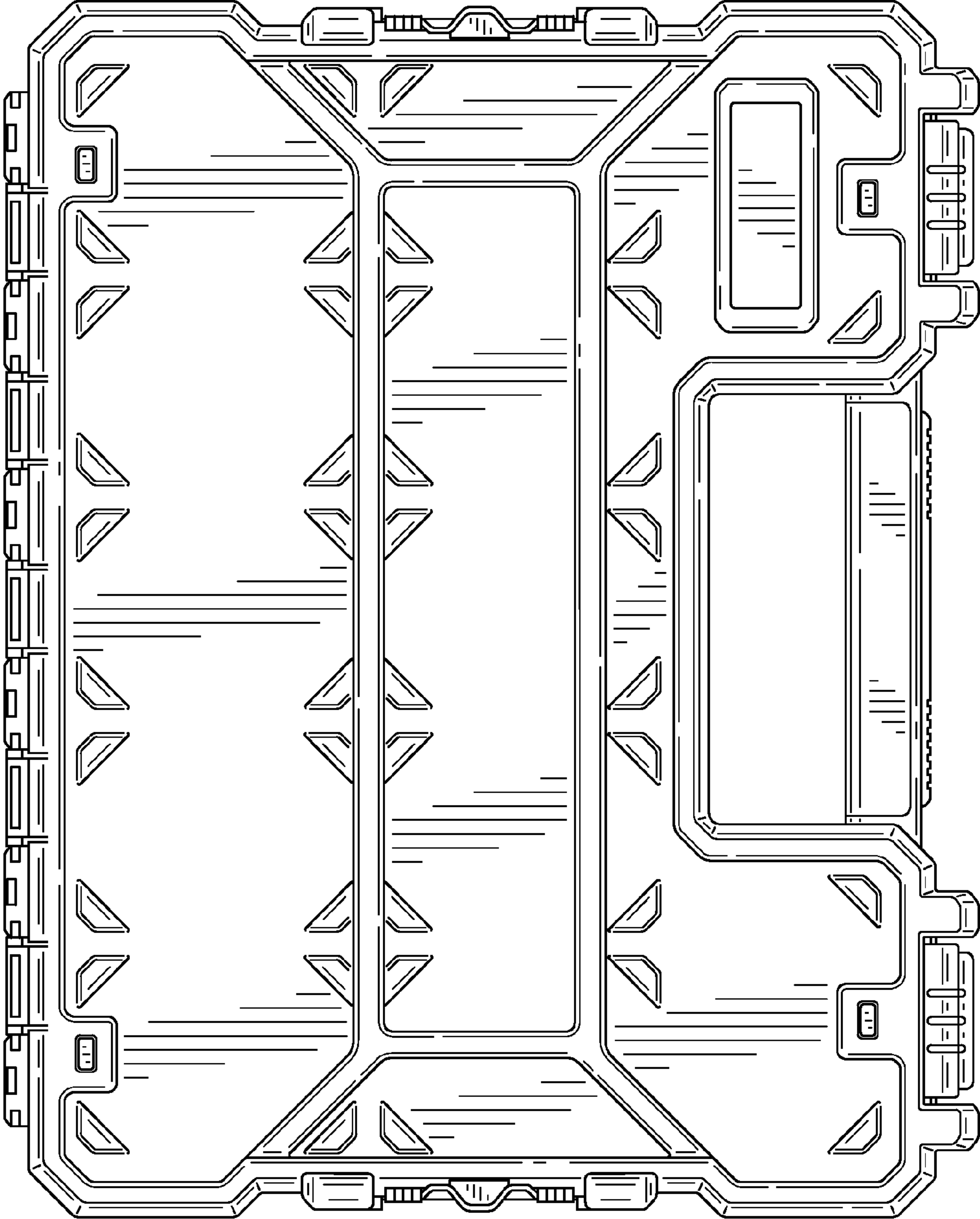


FIG. 14

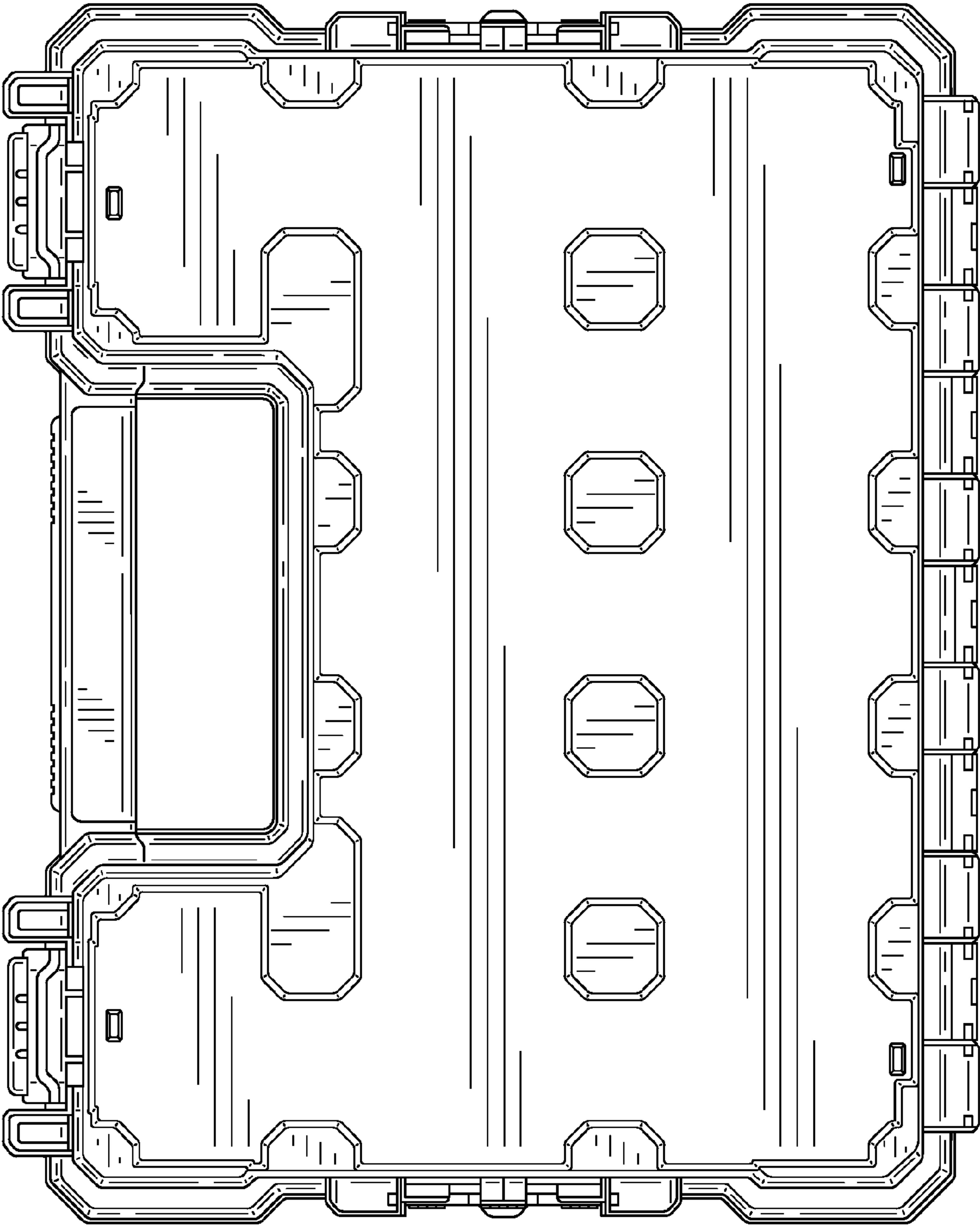


FIG. 15

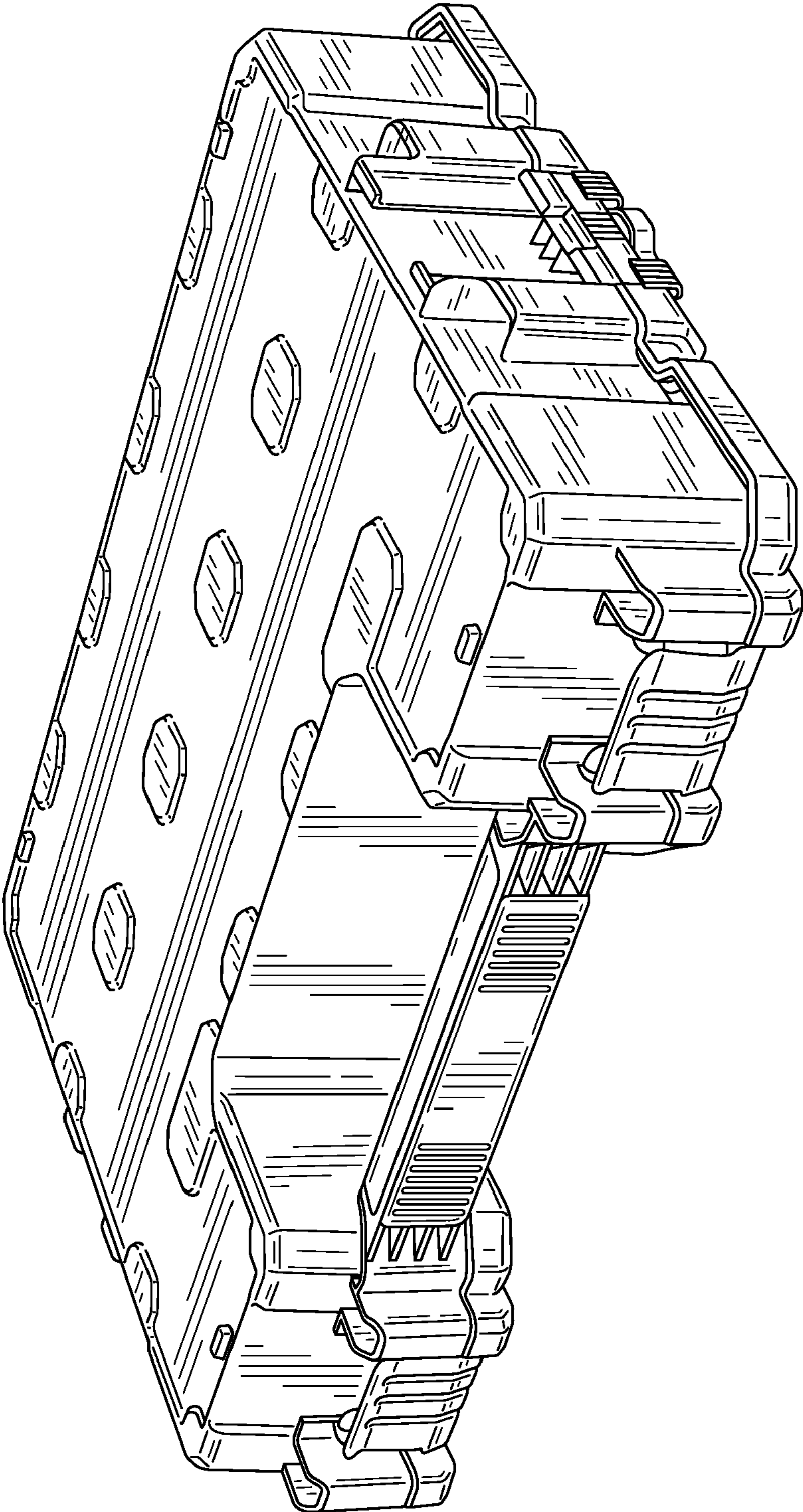


FIG. 16