



US00D639058S

(12) **United States Design Patent**  
**Chiu**

(10) **Patent No.:** **US D639,058 S**

(45) **Date of Patent:** **\*\* Jun. 7, 2011**

(54) **TOOLBOX**

(76) **Inventor:** **Peter Chiu, Ta-Li (TW)**

(\*\*) **Term:** **14 Years**

(21) **Appl. No.:** **29/365,352**

(22) **Filed:** **Jul. 8, 2010**

(51) **LOC (9) Cl.** ..... **03-01**

(52) **U.S. Cl.** ..... **D3/282; D3/905**

(58) **Field of Classification Search** ..... D3/273,  
D3/274, 276, 280–284, 286, 288, 291, 292,  
D3/294–295, 905; 206/349, 372–379; 220/523,  
220/527

See application file for complete search history.

(56) **References Cited**

**U.S. PATENT DOCUMENTS**

D360,757 S *	8/1995	Snetting et al.	.....	D3/282
D413,440 S *	9/1999	Schurman	.....	D3/282
6,267,238 B1 *	7/2001	Miller et al.	.....	206/349
6,415,924 B1 *	7/2002	Lee	.....	206/459.5
D477,912 S *	8/2003	Cunningham et al.	.....	D3/273

D481,865 S *	11/2003	Hassett	.....	D3/218
D505,549 S *	5/2005	Hosking	.....	D3/905
7,059,472 B2 *	6/2006	Lai	.....	206/372
D530,914 S *	10/2006	Jansson et al.	.....	D3/282
D568,607 S *	5/2008	Hsu	.....	D3/282
D600,015 S *	9/2009	Wenchel et al.	.....	D3/905
D604,510 S *	11/2009	Cho	.....	D3/282
D620,255 S *	7/2010	Chang	.....	D3/282

\* cited by examiner

*Primary Examiner* — Jennifer Rivard

(57) **CLAIM**

The ornamental design for a toolbox, as shown and described.

**DESCRIPTION**

FIG. 1 is a front-right-top perspective view of a toolbox, showing my new design;

FIG. 2 is a front elevational view thereof;

FIG. 3 is a rear elevational view thereof;

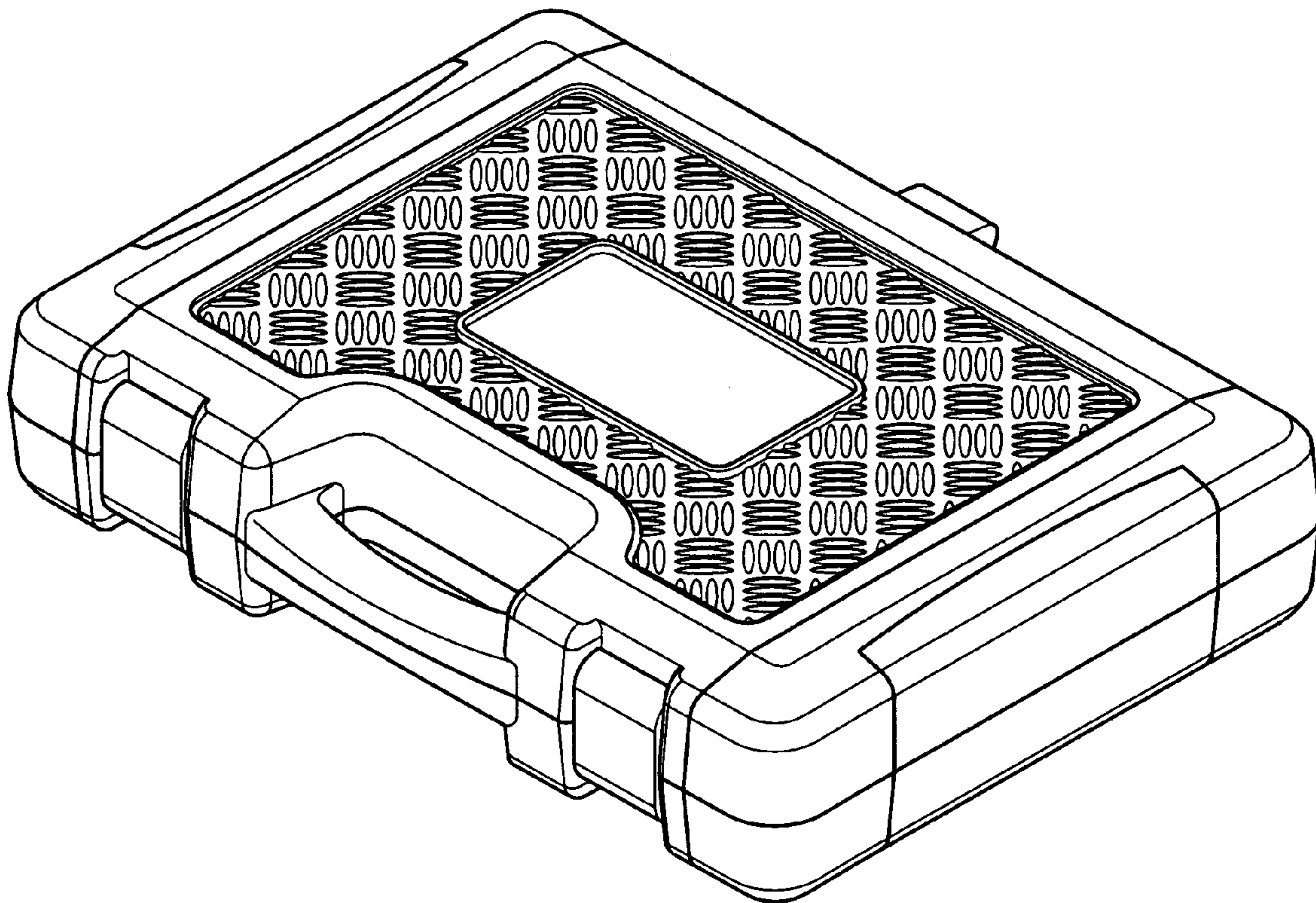
FIG. 4 is a left side elevational view thereof;

FIG. 5 is a right side elevational view thereof;

FIG. 6 is a top plan view thereof, and,

FIG. 7 is a bottom plan view thereof.

**1 Claim, 3 Drawing Sheets**



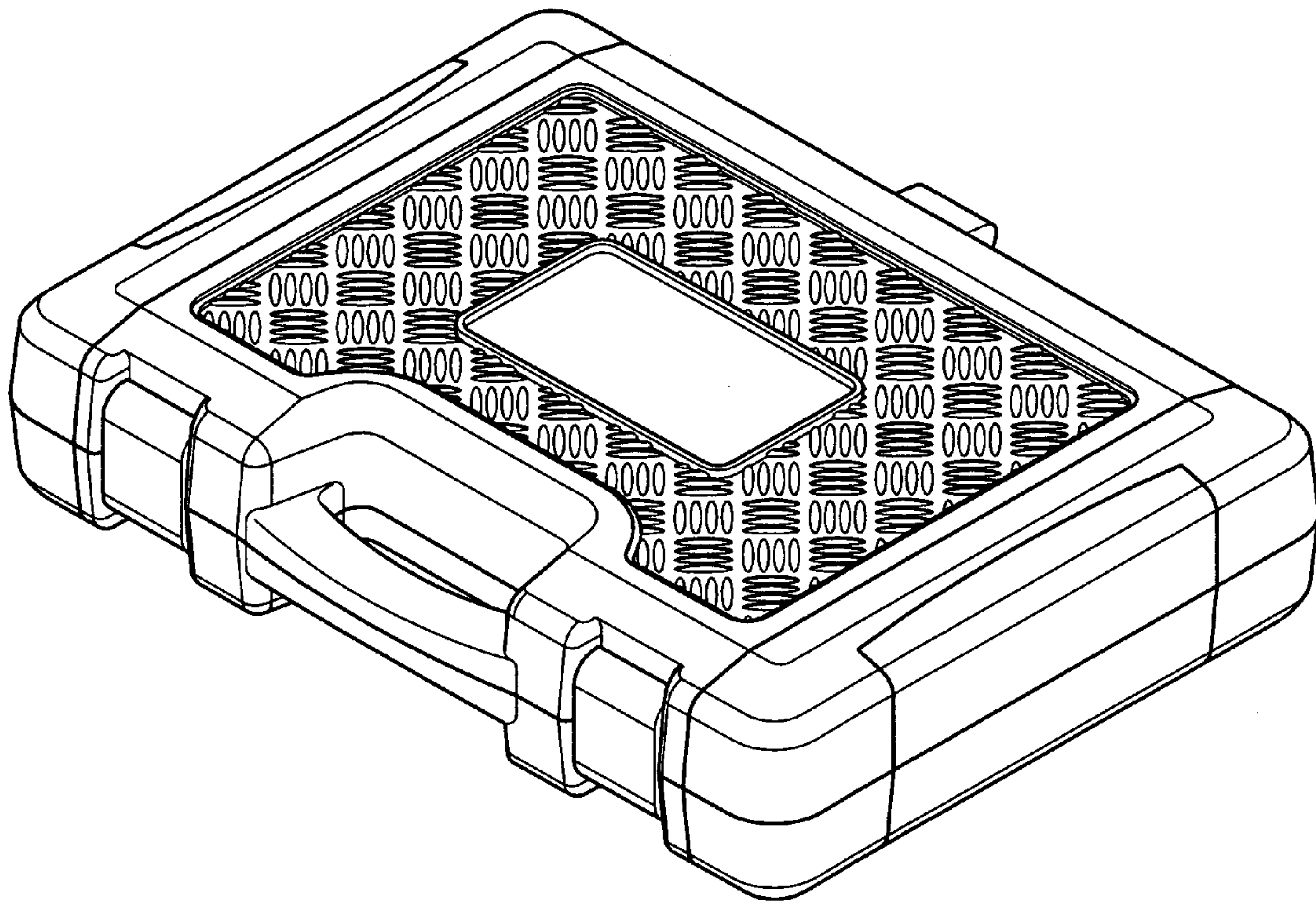


FIG. 1

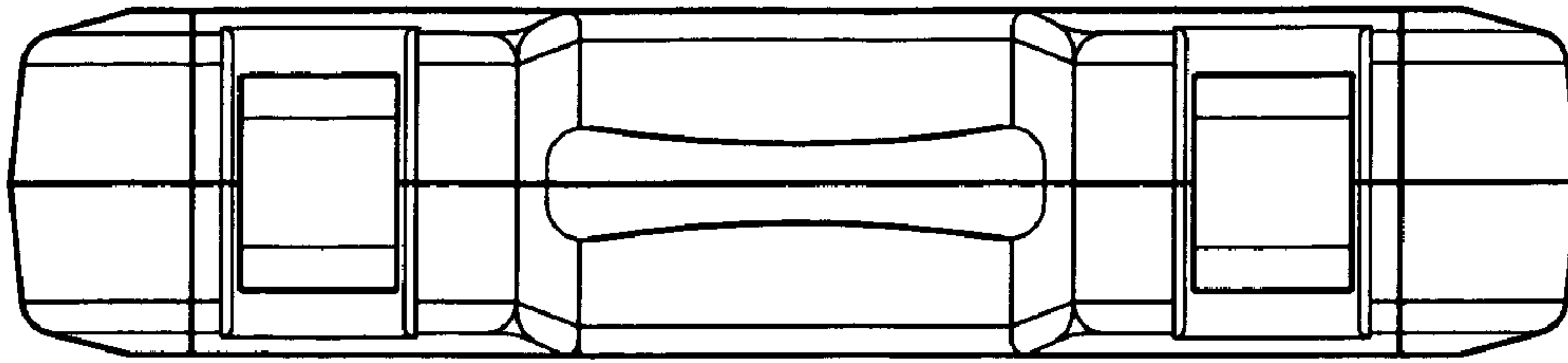


FIG. 2

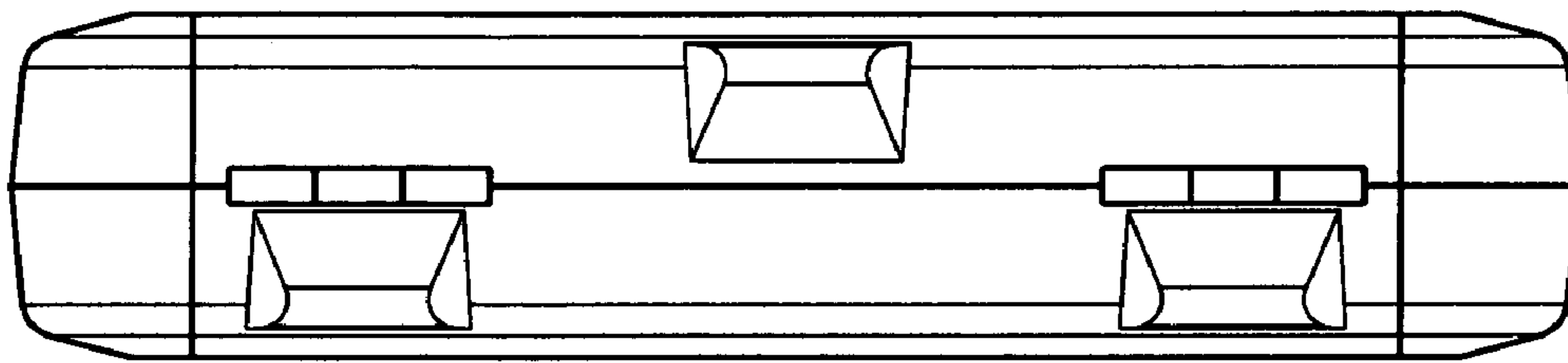


FIG. 3

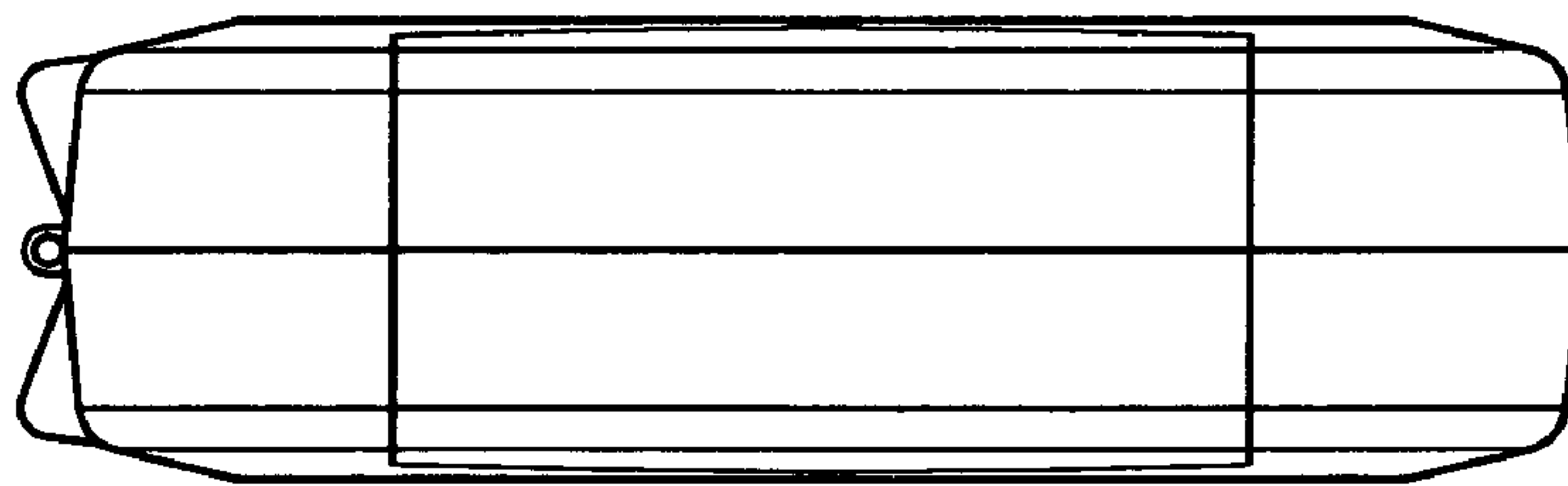


FIG. 4

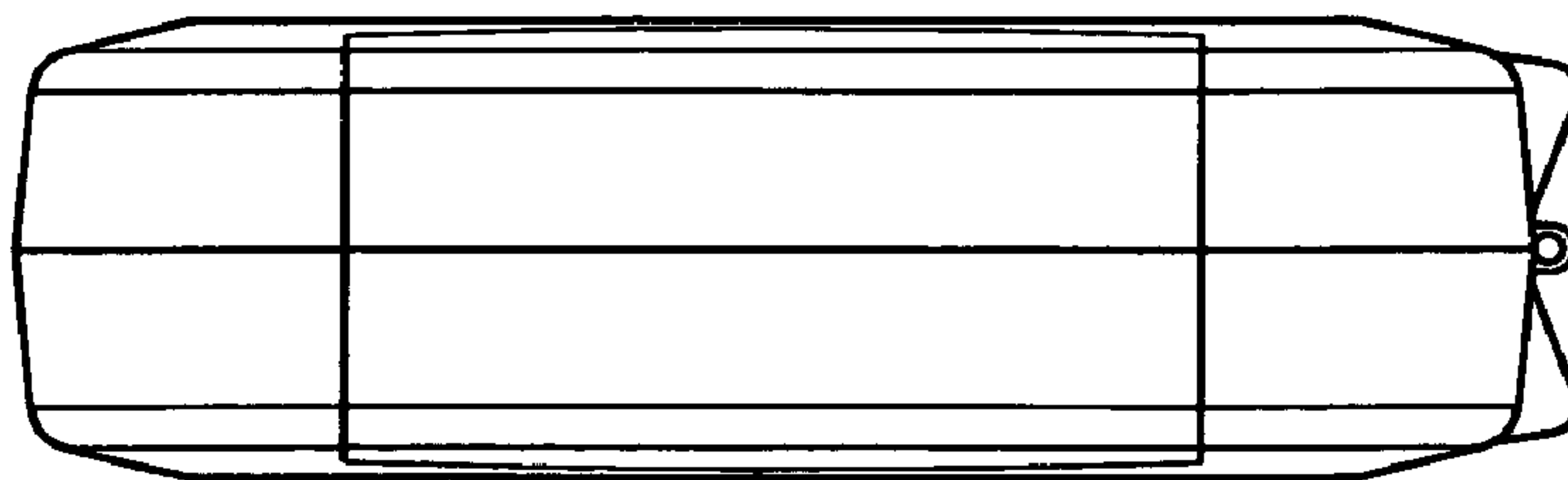


FIG. 5



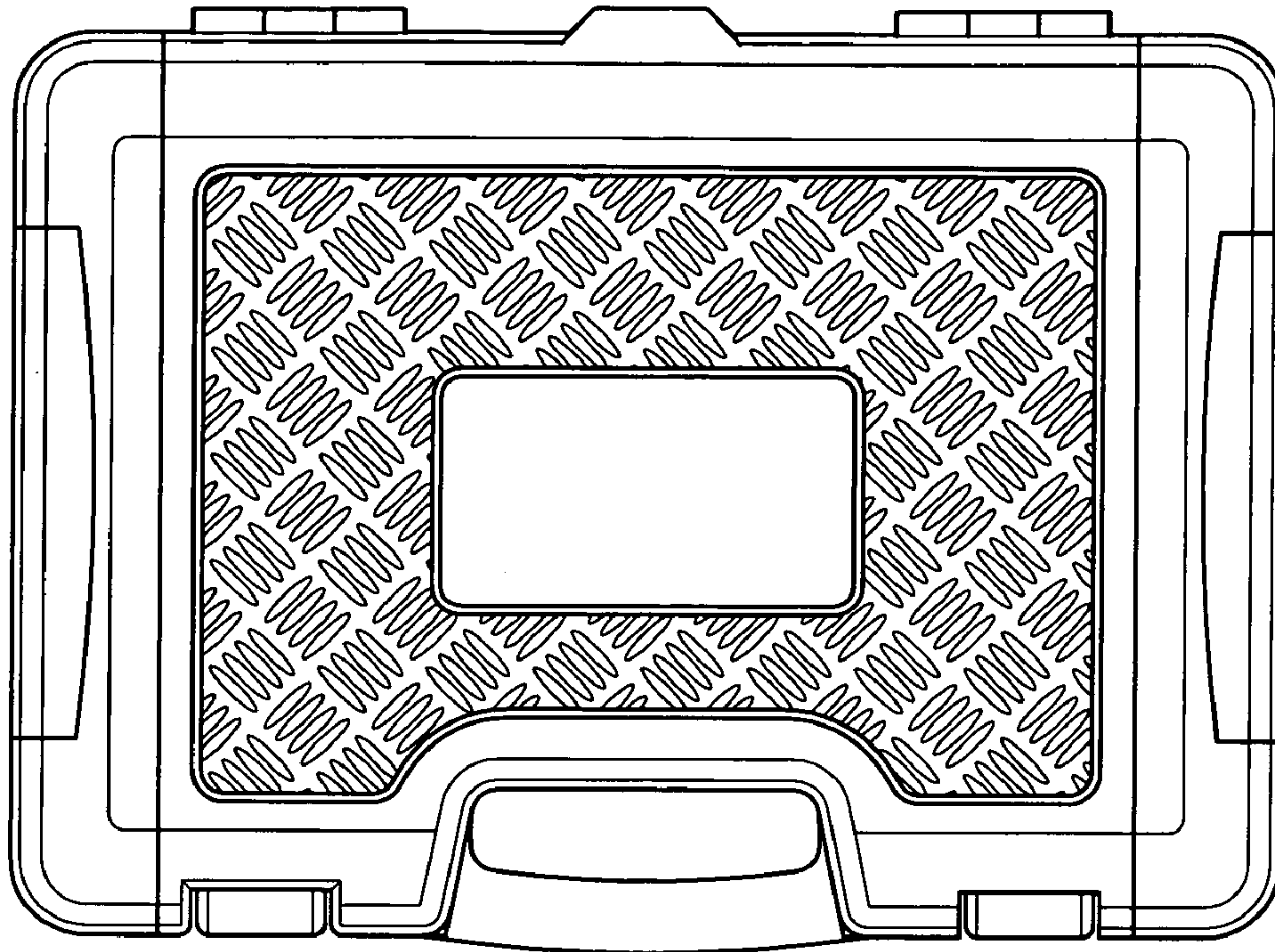


FIG. 6

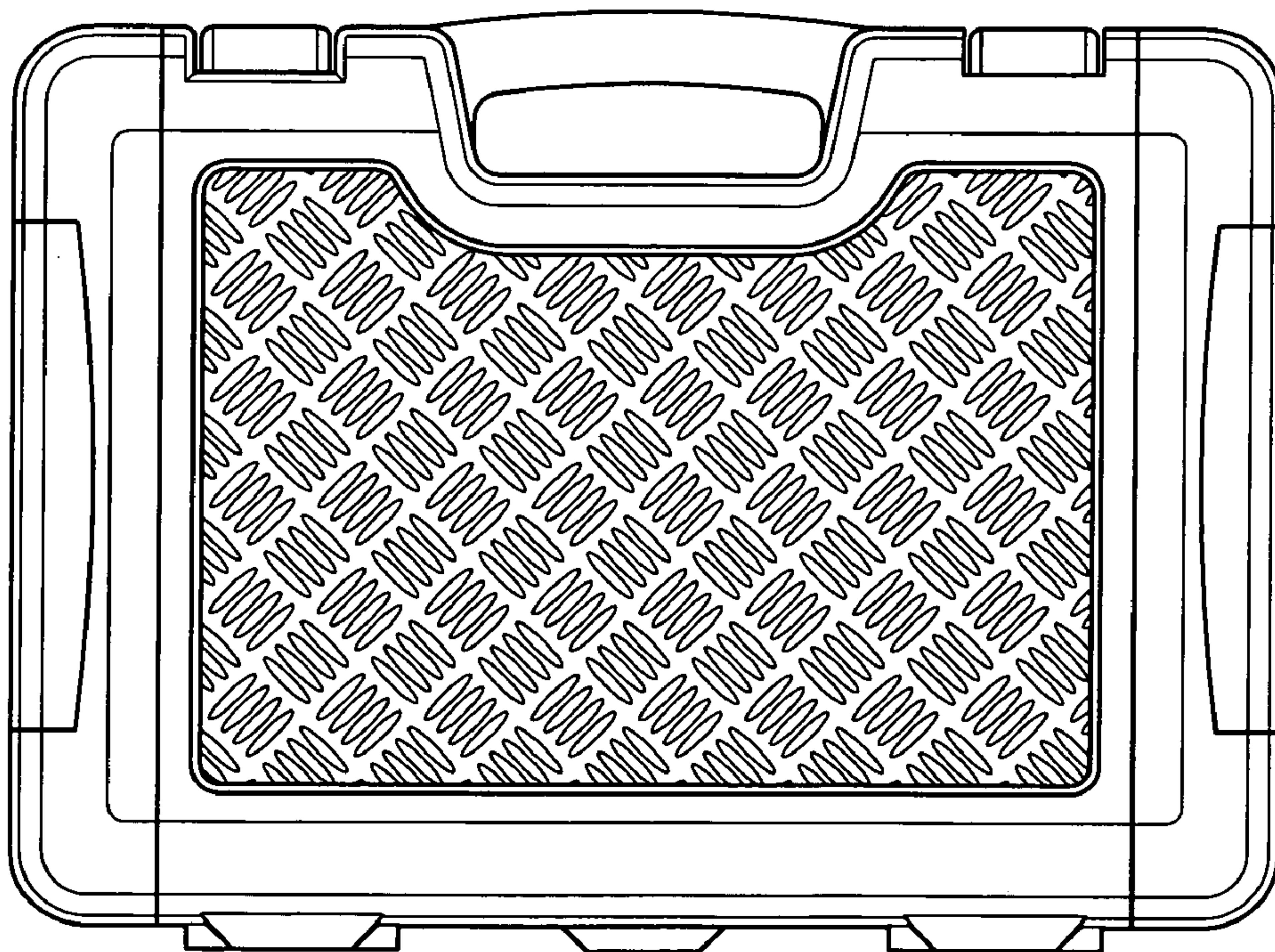


FIG. 7