



US00D639057S

(12) **United States Design Patent**
Presman et al.

(10) **Patent No.:** **US D639,057 S**
(45) **Date of Patent:** **** Jun. 7, 2011**

(54) **CHILD'S TROLLEY**

(75) Inventors: **Paul Presman**, Kfar Saba (IL); **Costa Presman**, Ra'anana (IL)

(73) Assignee: **Ben Bat Ltd.**, Shefayim (IL)

(**) Term: **14 Years**

(21) Appl. No.: **29/371,060**

(22) Filed: **Oct. 5, 2010**

(51) **LOC (9) Cl.** **03-01**

(52) **U.S. Cl.** **D3/279**

(58) **Field of Classification Search** D3/272,
D3/273, 276, 279, 283, 285, 289, 291, 292;
190/100-127, 18 A

See application file for complete search history.

(56) **References Cited**

U.S. PATENT DOCUMENTS

D425,301 S *	5/2000	Sagol	D3/279
D522,747 S *	6/2006	Tortorella et al.	D3/279
D554,862 S *	11/2007	Hsieh	D3/279
2008/0223678 A1 *	9/2008	Godshaw et al.	190/124
2009/0159622 A1	6/2009	Smith		

* cited by examiner

Primary Examiner — Jennifer Rivard

(74) *Attorney, Agent, or Firm* — Abraham Hershkovitz;
Harold L. Novick; Hershkovitz & Associates, LLC

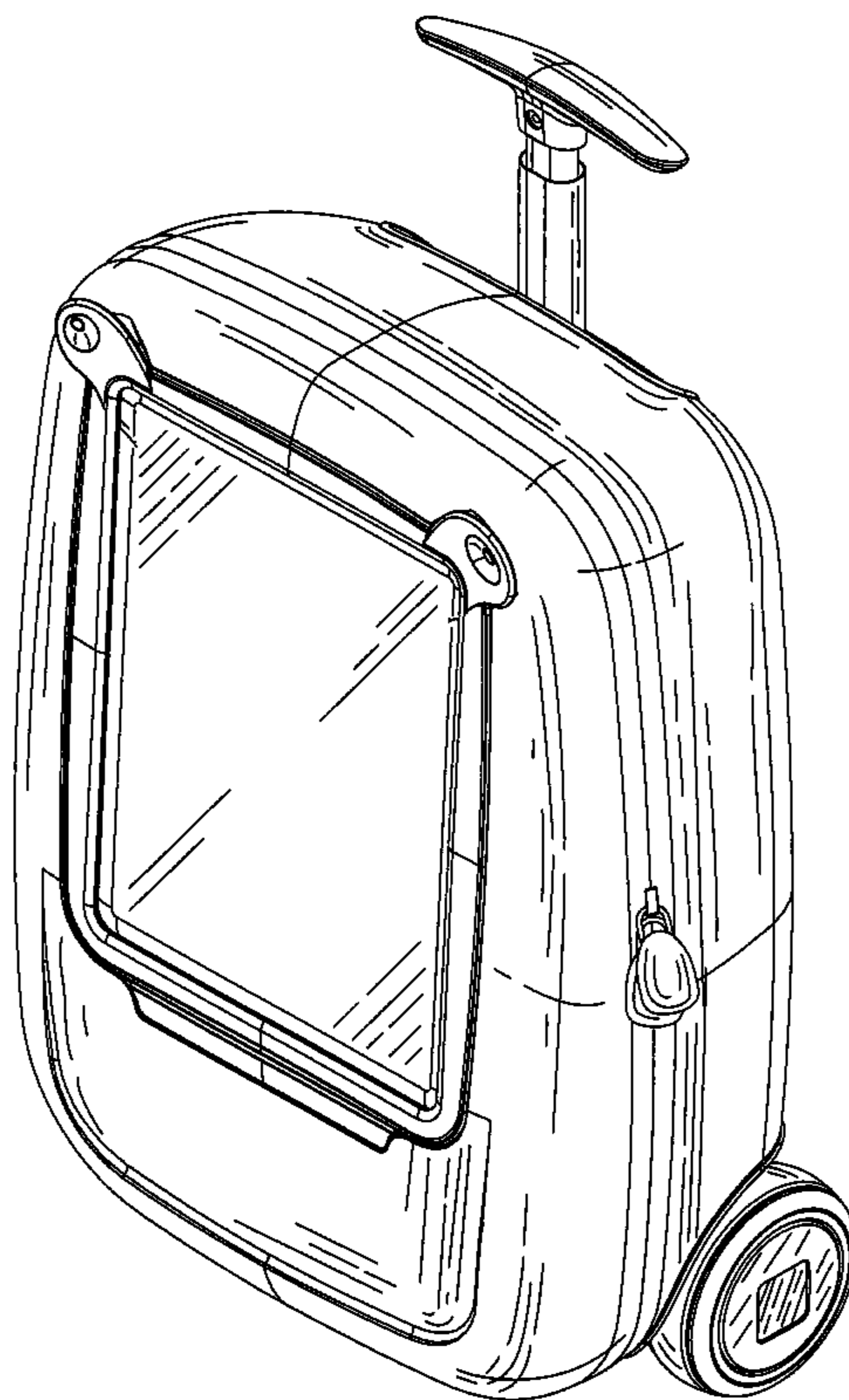
(57) **CLAIM**

The ornamental design for a child's trolley, substantially as shown and described.

DESCRIPTION

FIG. 1 is a front perspective view of a child's trolley having a hinged transparent front display frame in a closed position; FIG. 2 is a rear perspective view of the child's trolley of FIG. 1; FIG. 3 is a front elevation view of the child's trolley of FIG. 1; FIG. 4 is a rear elevation view of the child's trolley of FIG. 1; FIG. 5 is a left elevation view of the child's trolley of FIG. 1; FIG. 6 is right elevation view of the child's trolley of FIG. 1; FIG. 7 is a top plan view of the child's trolley of FIG. 1; FIG. 8 is a bottom plan view of the child's trolley of FIG. 1; FIG. 9 is a front perspective view of the child's trolley of FIG. 1 with its hinged transparent front display frame in an open position; FIG. 10 is a rear perspective view of the child's trolley of FIG. 9; FIG. 11 is a front elevation view of the child's trolley of FIG. 9; FIG. 12 is a rear elevation view of the child's trolley of FIG. 9; FIG. 13 is a left elevation view of the child's trolley of FIG. 9; FIG. 14 is right elevation view of the child's trolley of FIG. 9; FIG. 15 is a top plan view of the child's trolley of FIG. 9; and, FIG. 16 is a bottom plan view of the child's trolley of FIG. 9.

1 Claim, 16 Drawing Sheets



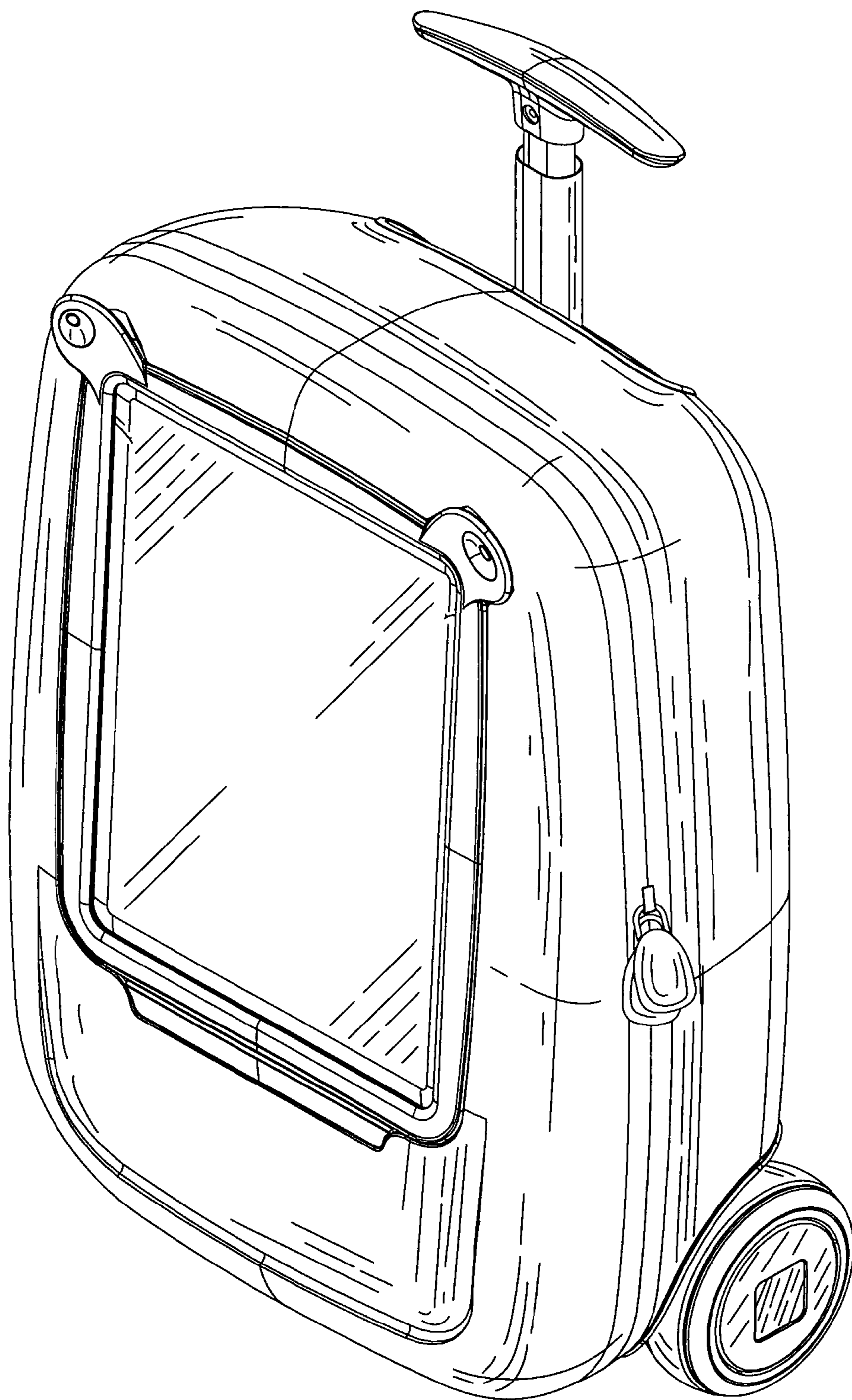


Fig. 1

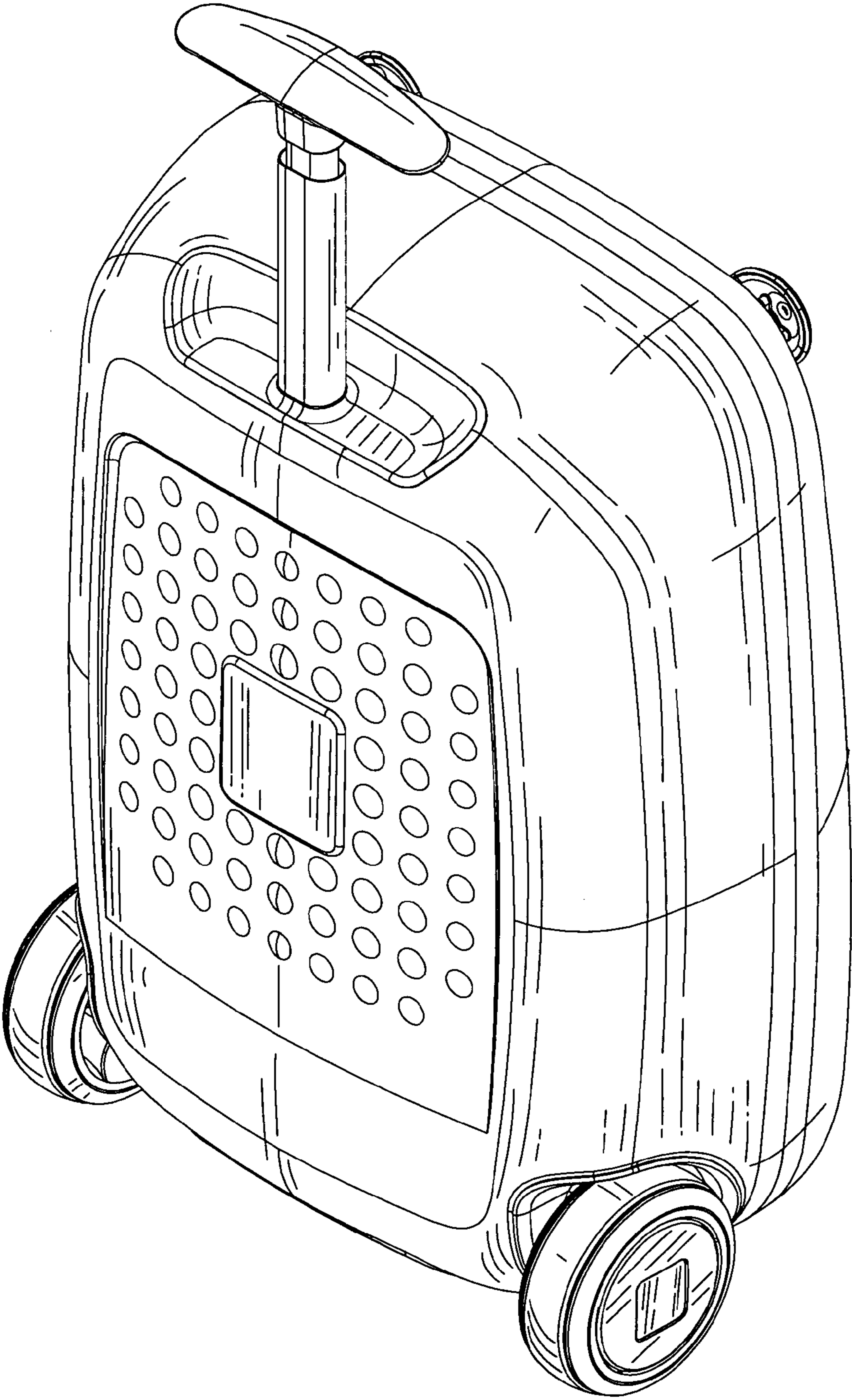


Fig. 2

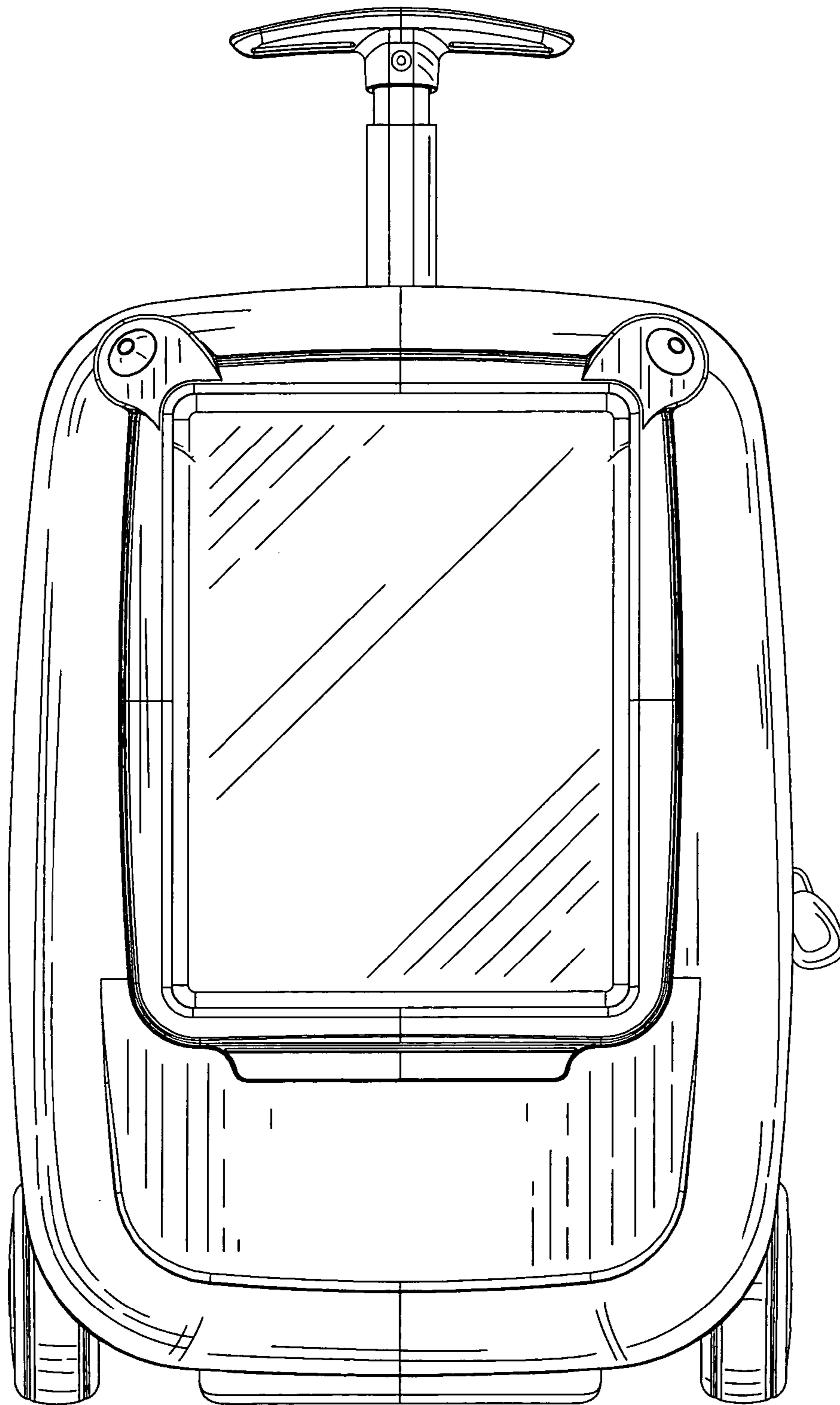


Fig. 3

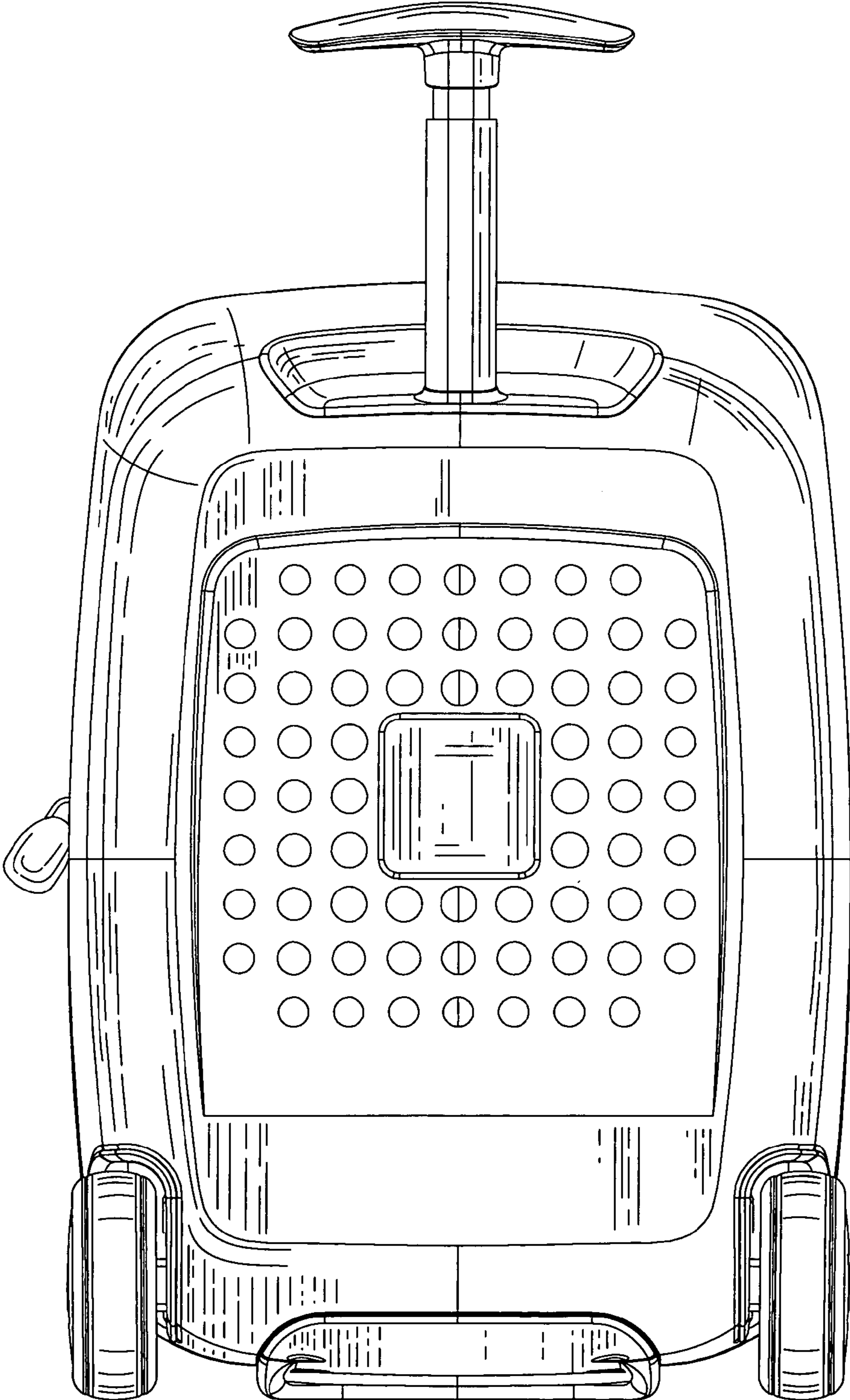


Fig. 4

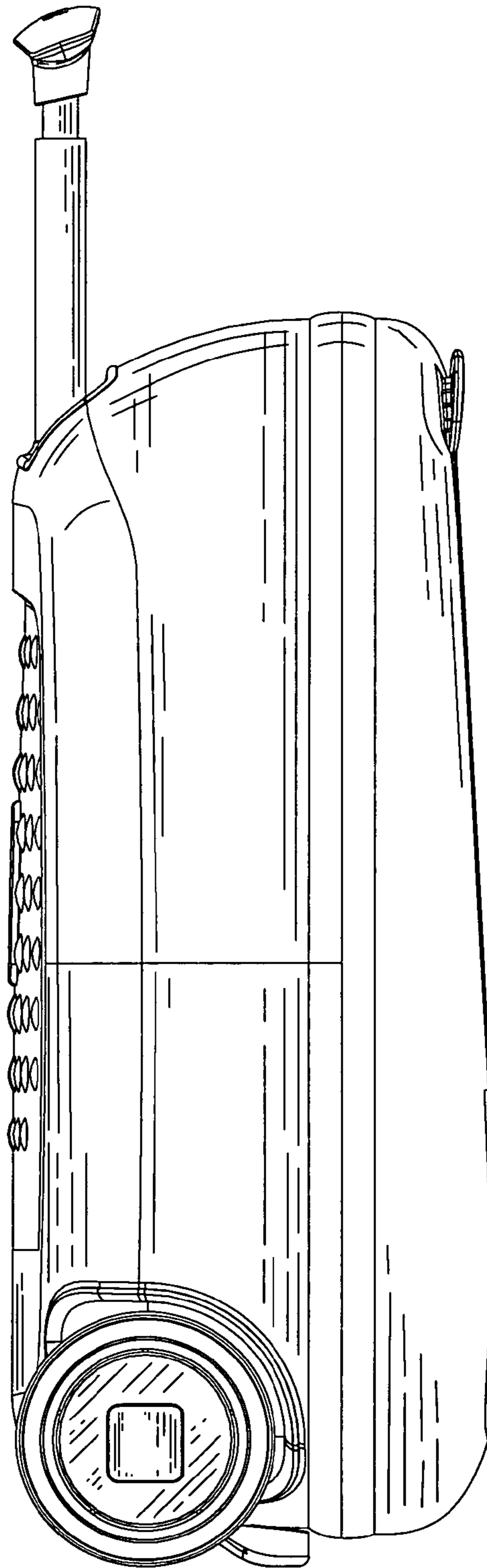


Fig. 5

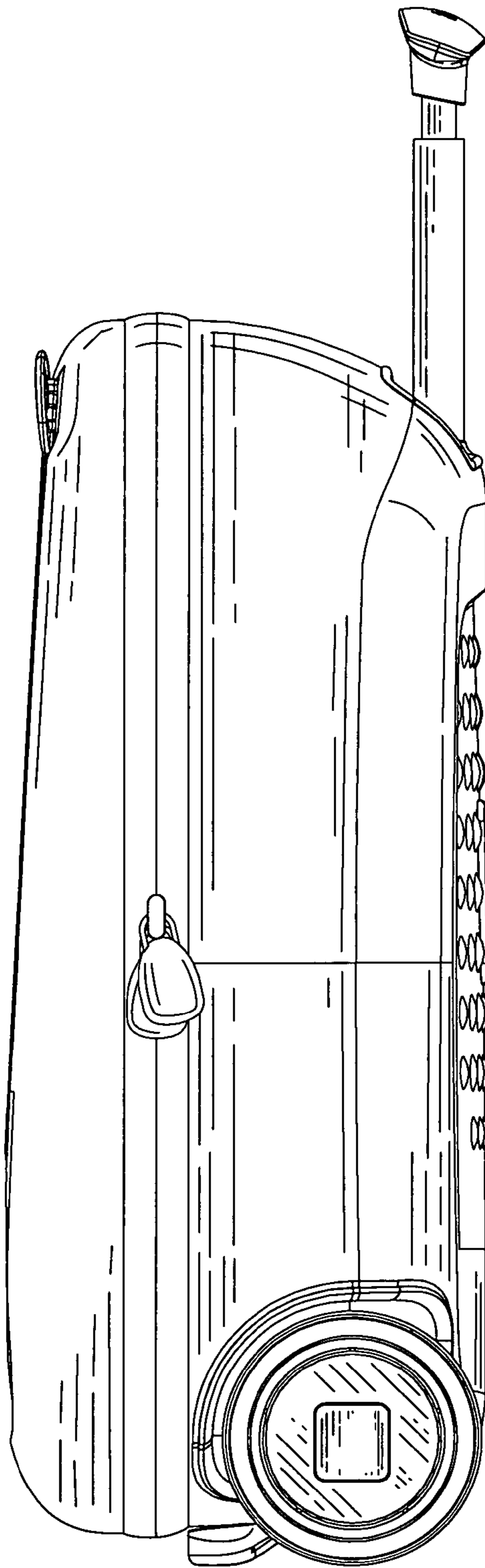


Fig. 6

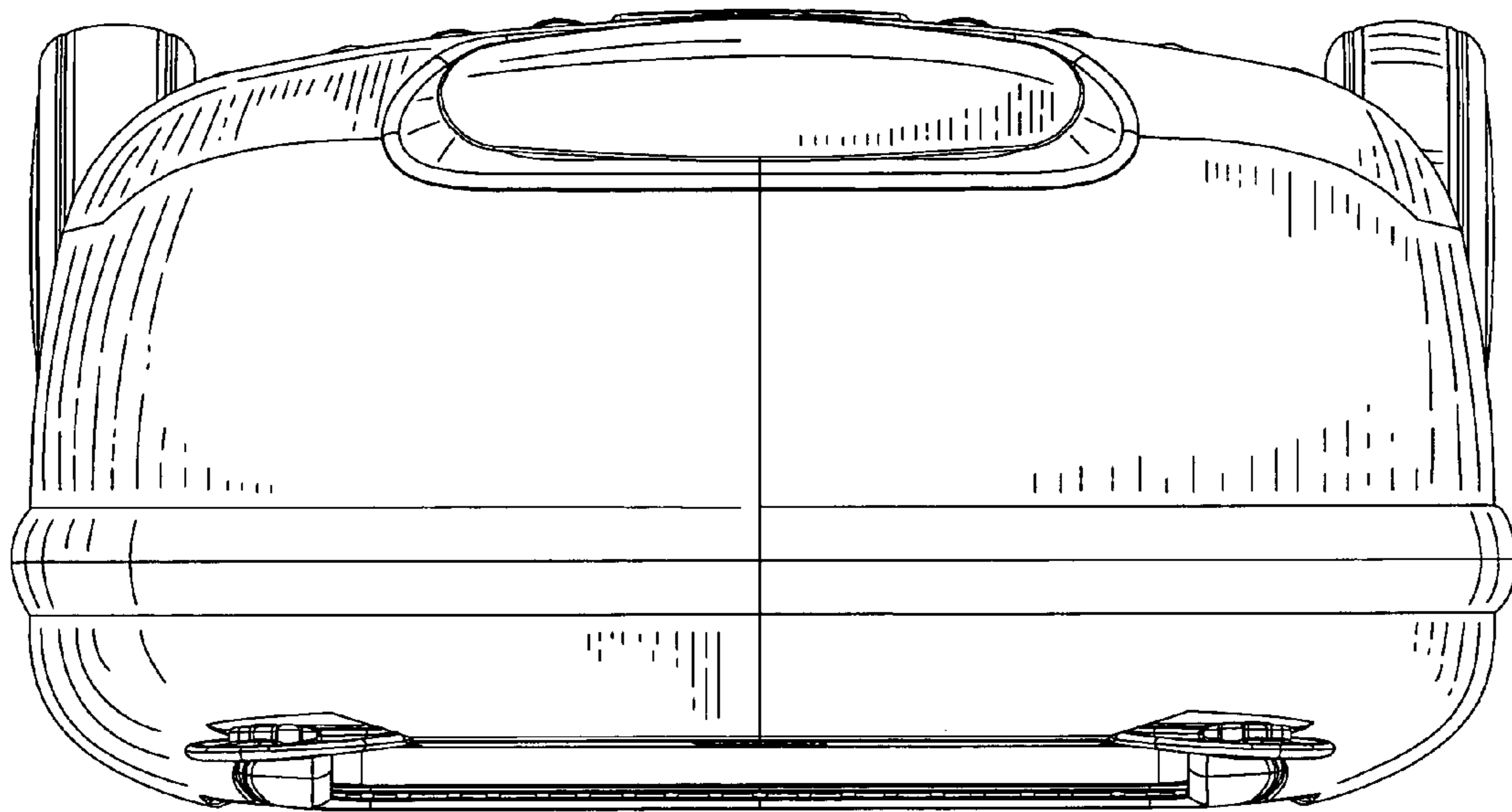


Fig. 7

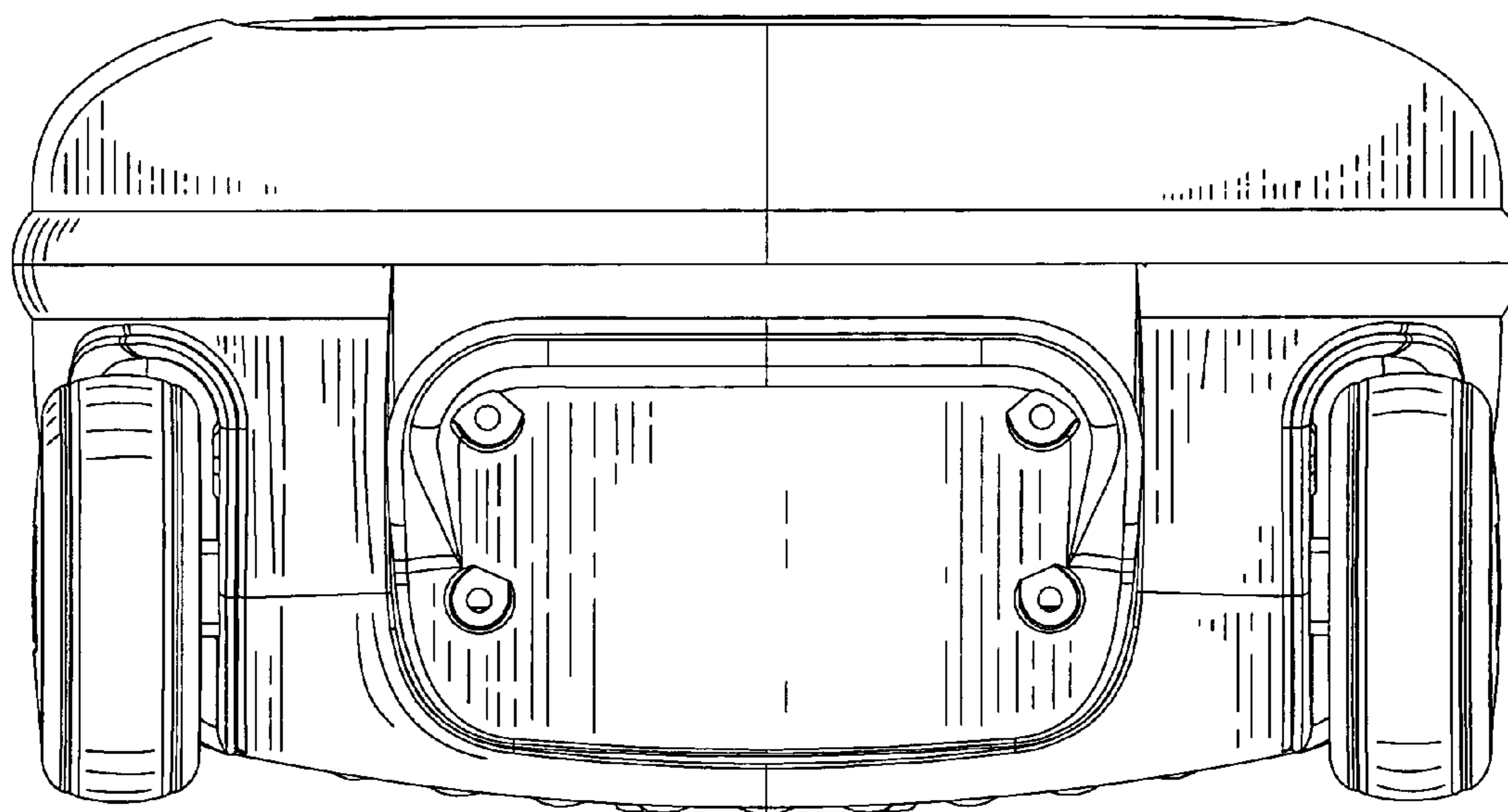


Fig. 8

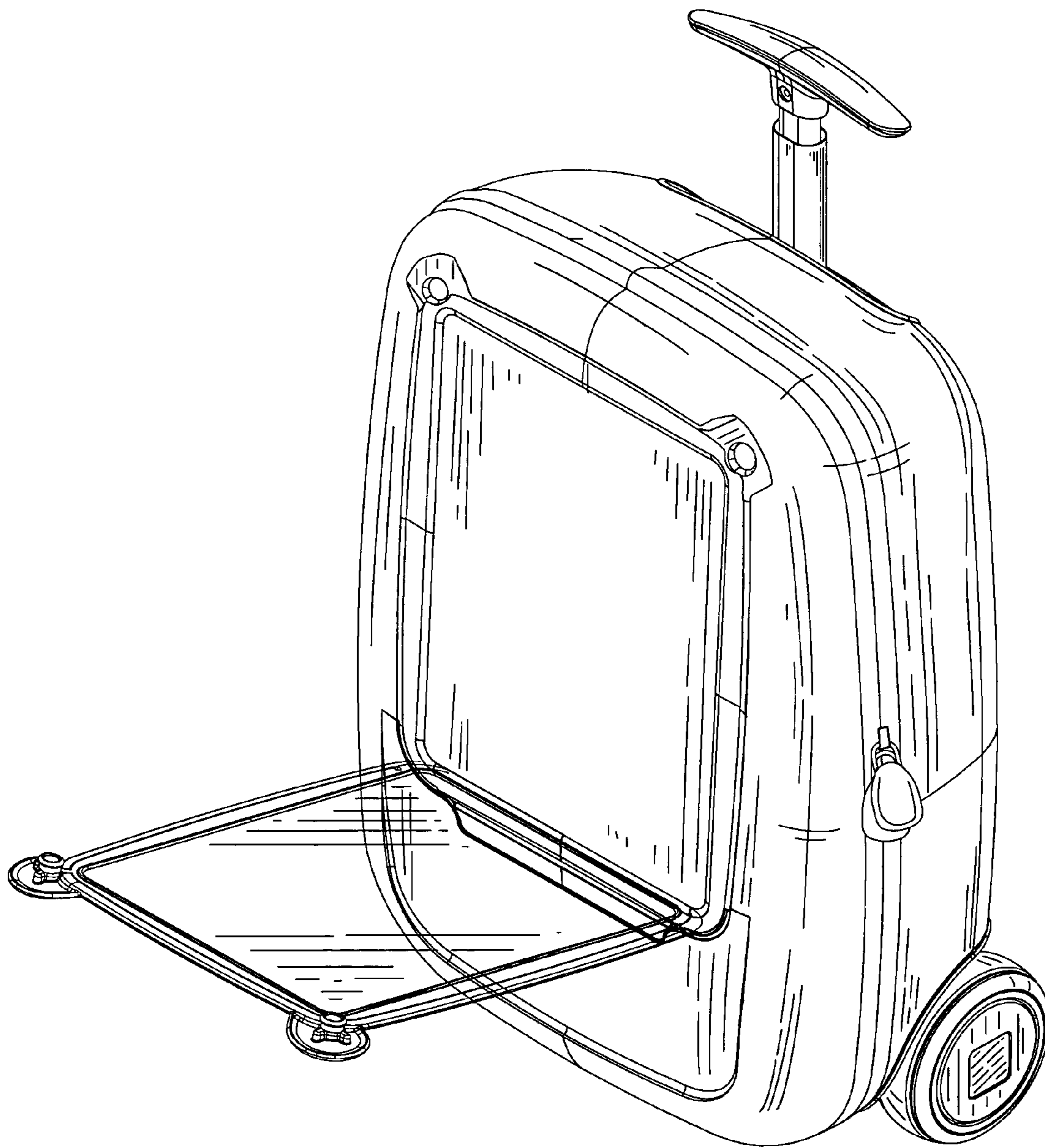


Fig. 9

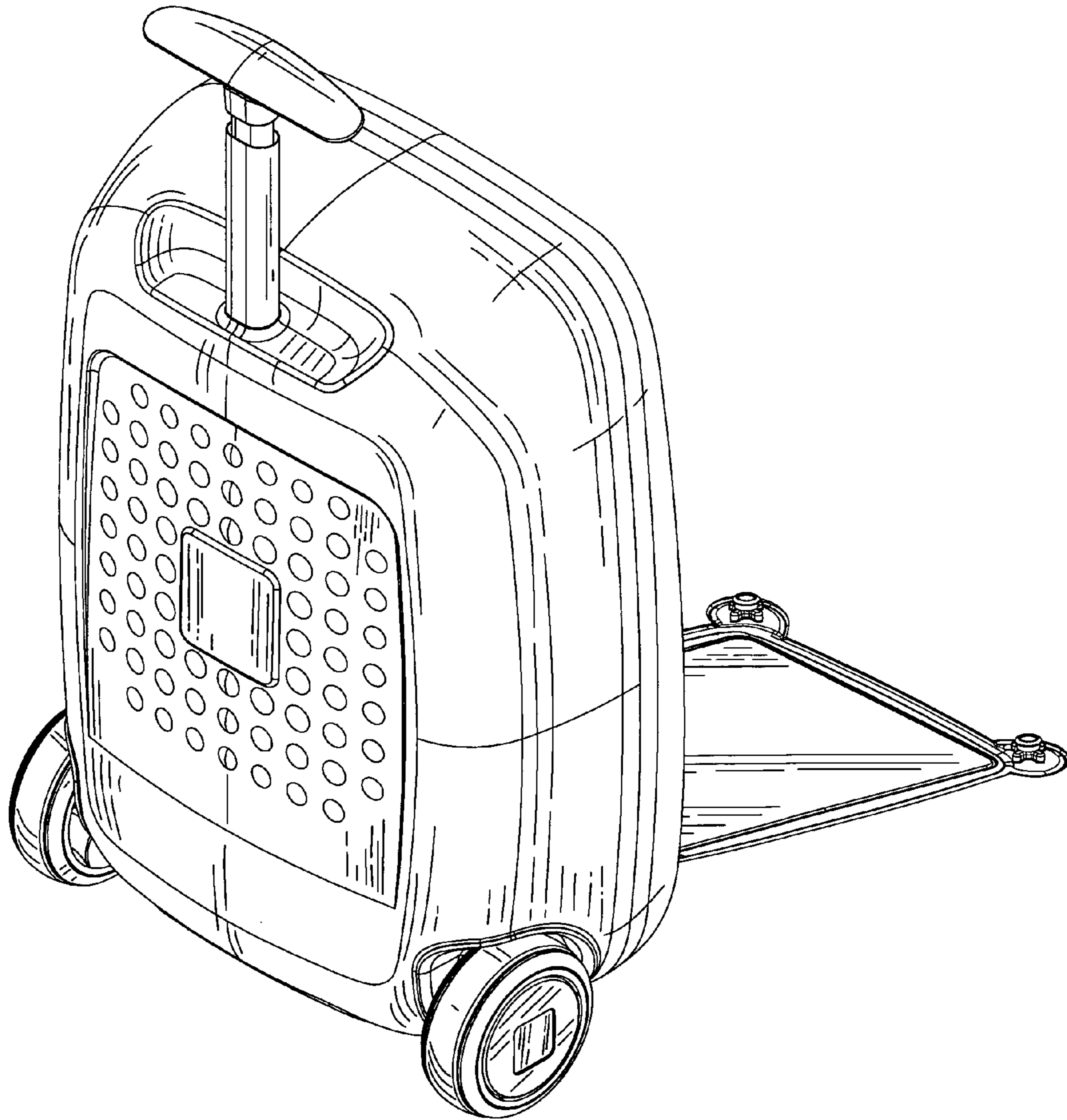


Fig. 10

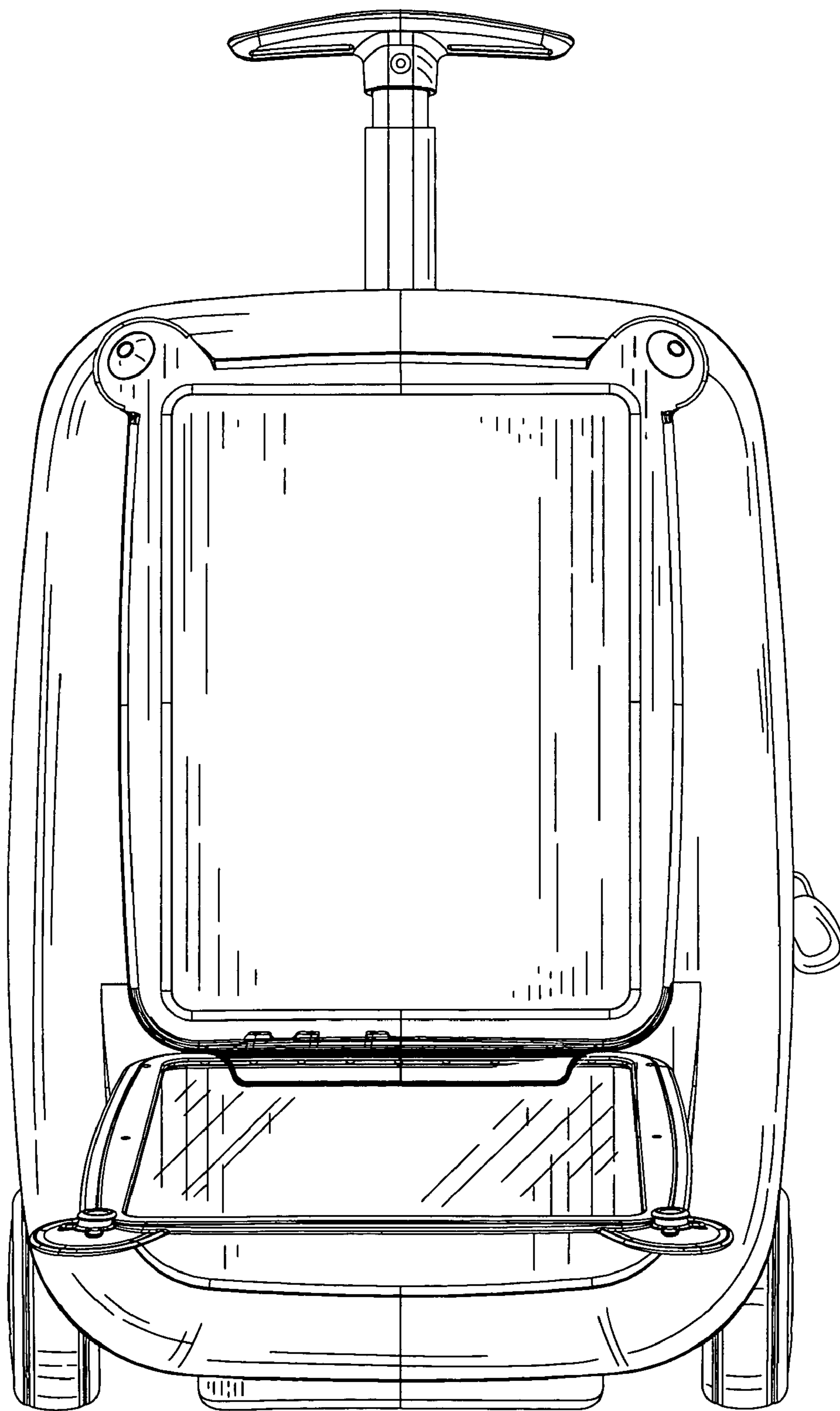


Fig. 11

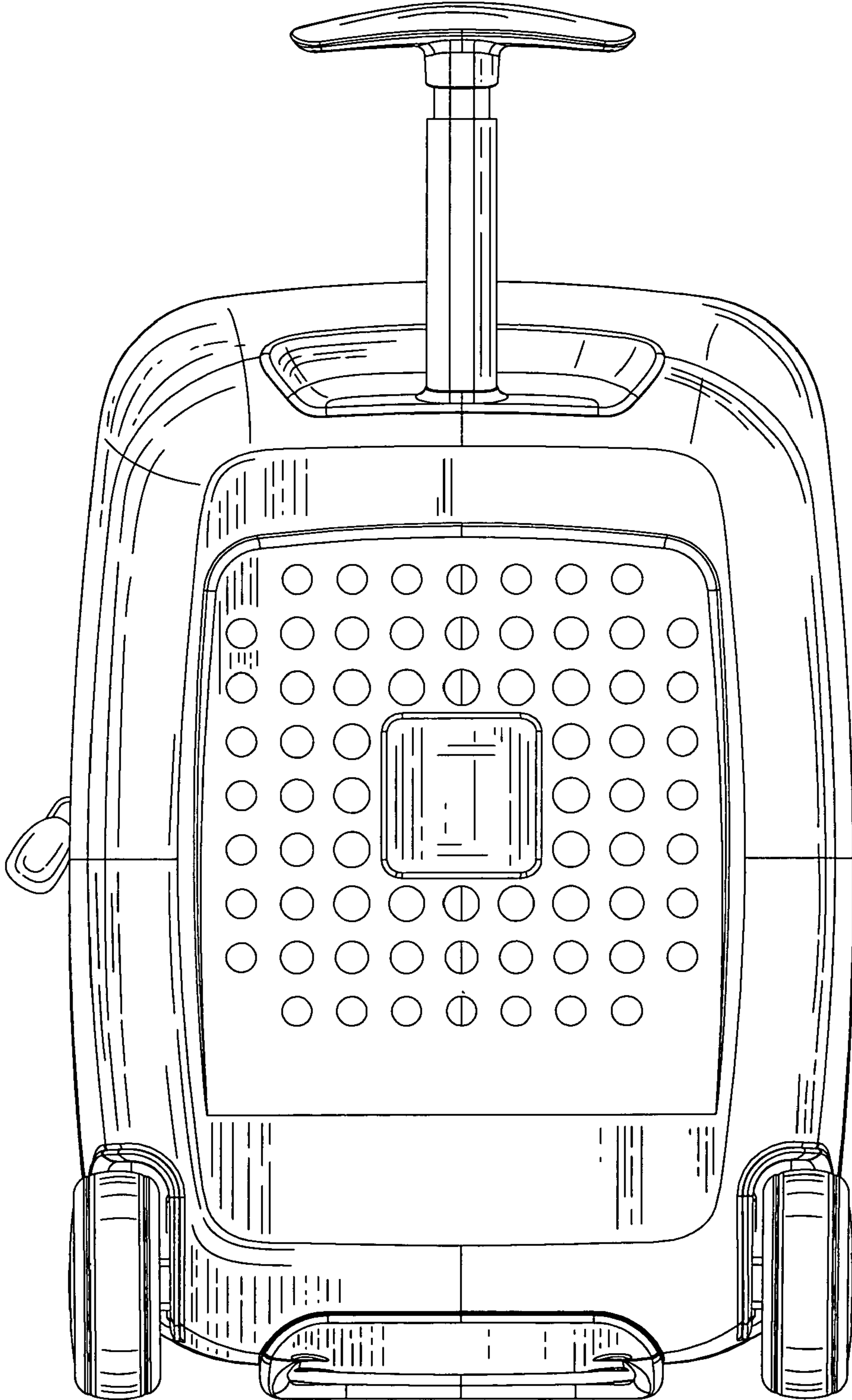


Fig. 12

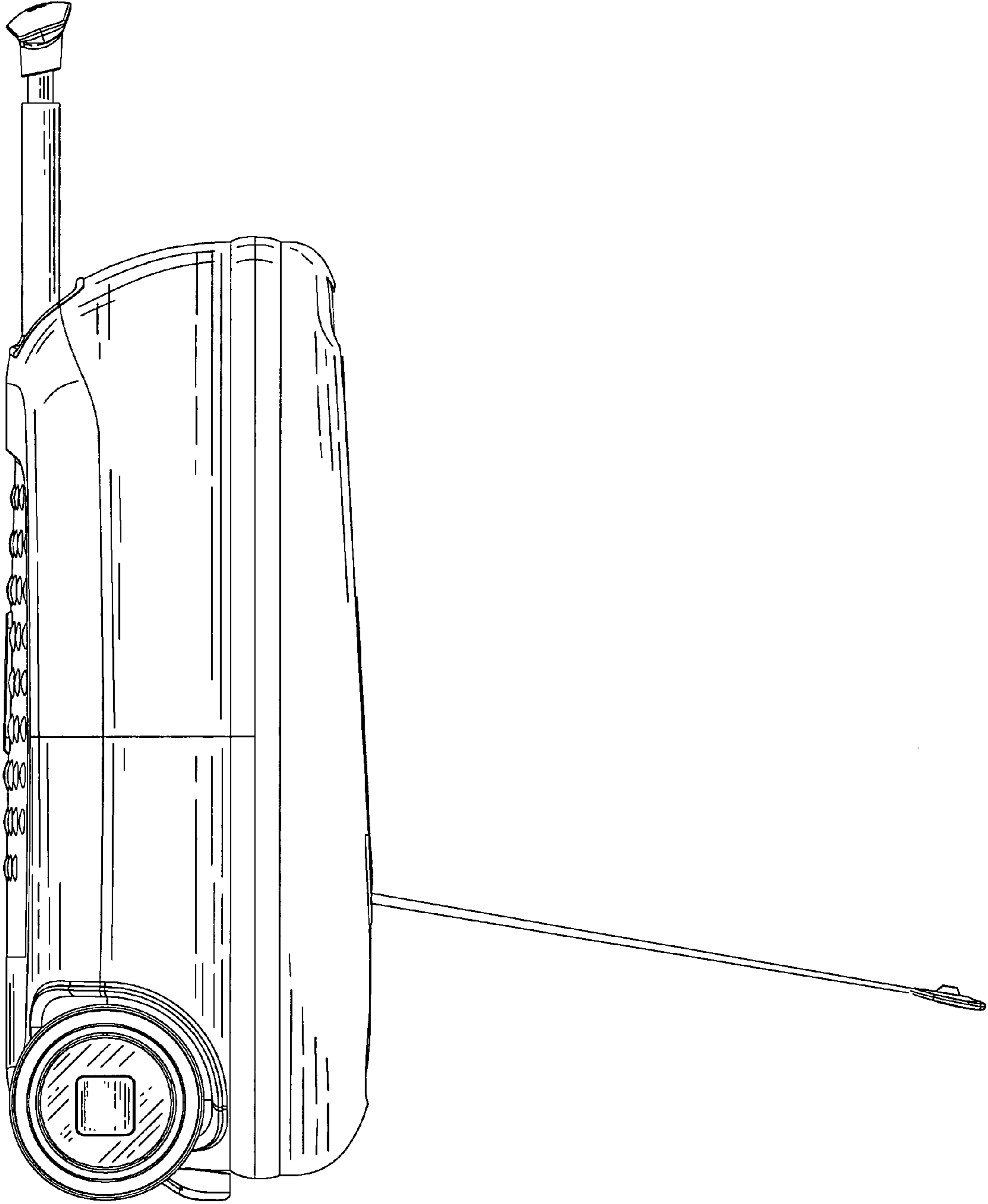


Fig. 13

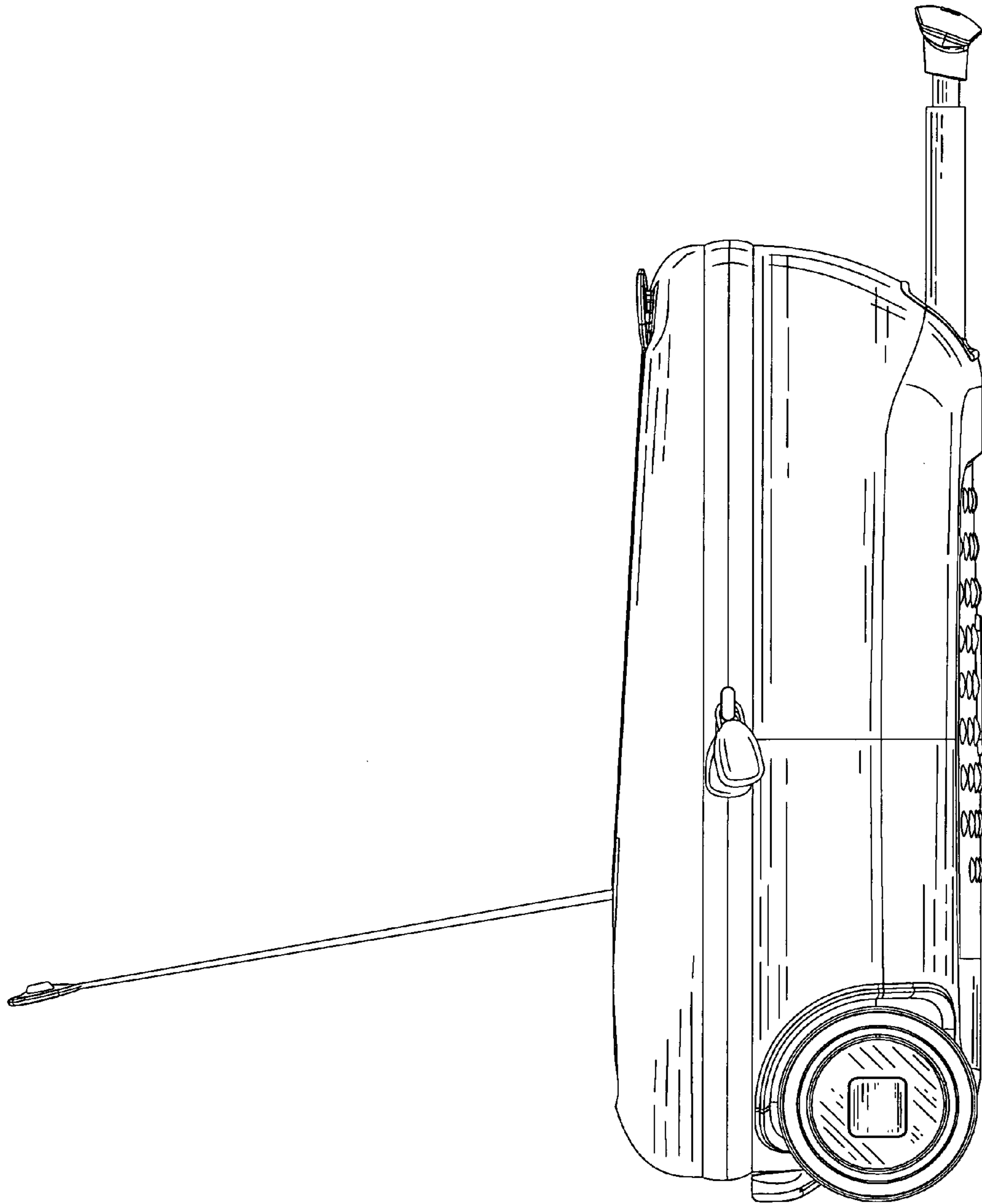


Fig. 14

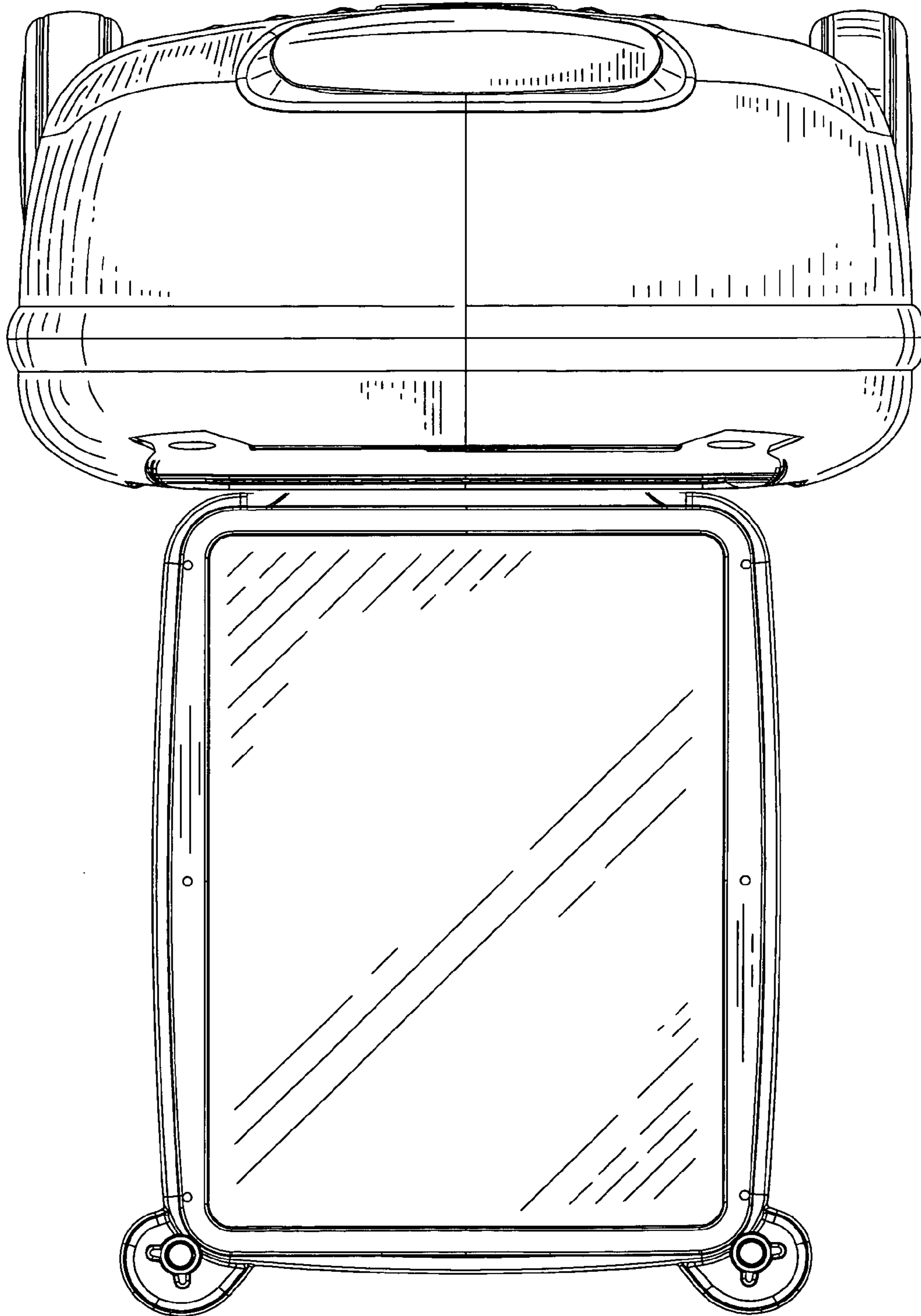


Fig. 15

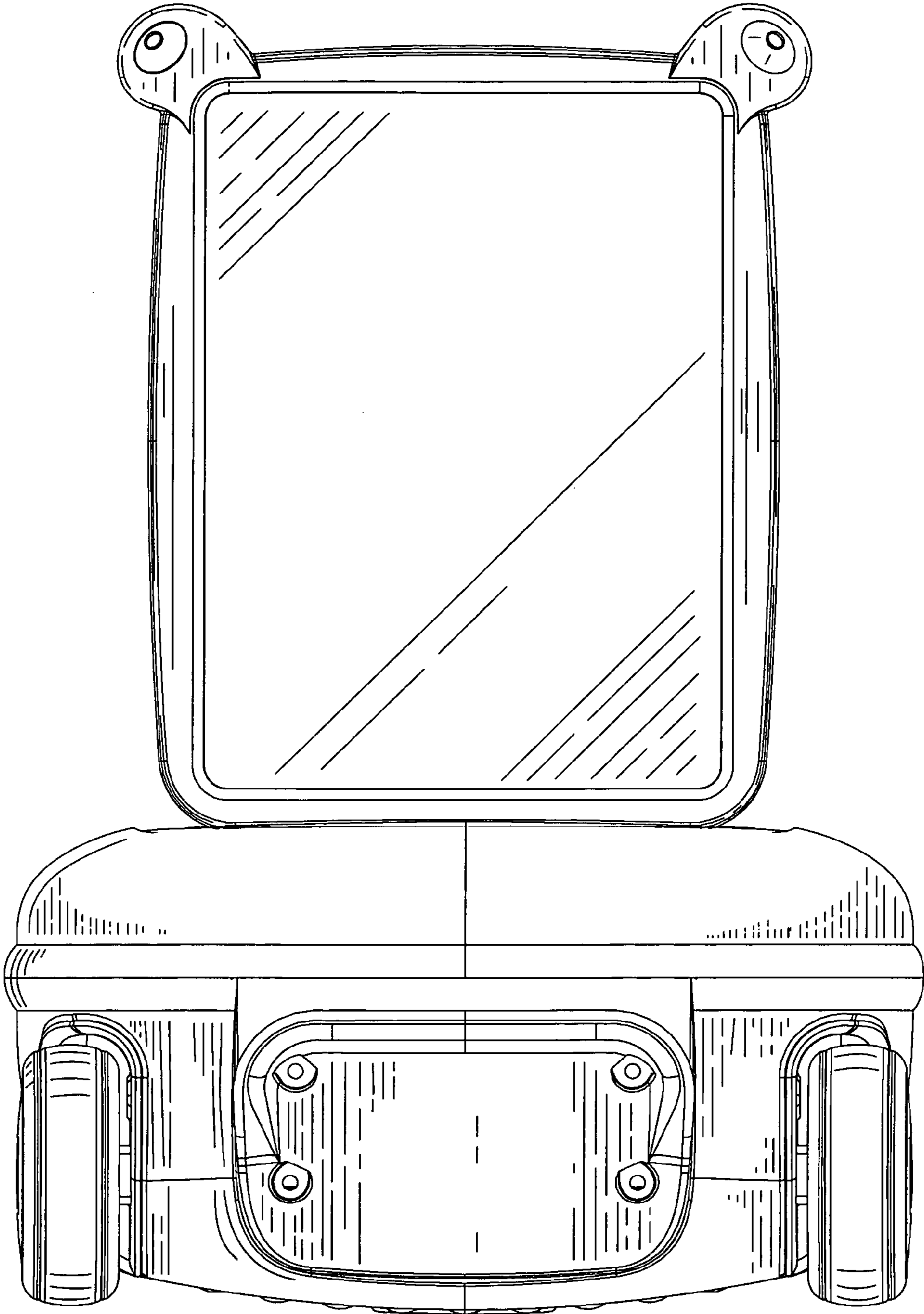


Fig. 16