



US00D639056S

(12) **United States Design Patent**
Pond

(10) **Patent No.:** **US D639,056 S**
(45) **Date of Patent:** **** Jun. 7, 2011**

- (54) **CARRY-ON CASE**
- (75) Inventor: **Gary E. Pond**, South Bend, IN (US)
- (73) Assignee: **Porter Case, Inc.**, South Bend, IN (US)
- (**) Term: **14 Years**
- (21) Appl. No.: **29/337,949**
- (22) Filed: **Jun. 2, 2009**
- (51) **LOC (9) Cl.** **03-01**
- (52) **U.S. Cl.** **D3/279**
- (58) **Field of Classification Search** D3/272,
D3/273, 276, 279, 283, 285, 289, 291, 292;
190/100-127, 18 A, 1, 15.1; 280/37
See application file for complete search history.

- D581,667 S * 12/2008 Yeh D3/279
 - D587,902 S * 3/2009 Yoneno D3/279
 - D622,060 S * 8/2010 Scicluna et al. D3/279
 - 2009/0315284 A1 * 12/2009 Osorno 280/37
 - 2010/0072012 A1 * 3/2010 Malinowski 190/18 A
- * cited by examiner

Primary Examiner — Jennifer Rivard
(74) *Attorney, Agent, or Firm* — Botkin & Hall, LLP

(57) **CLAIM**
The ornamental design for a carry-on case, as shown.

DESCRIPTION

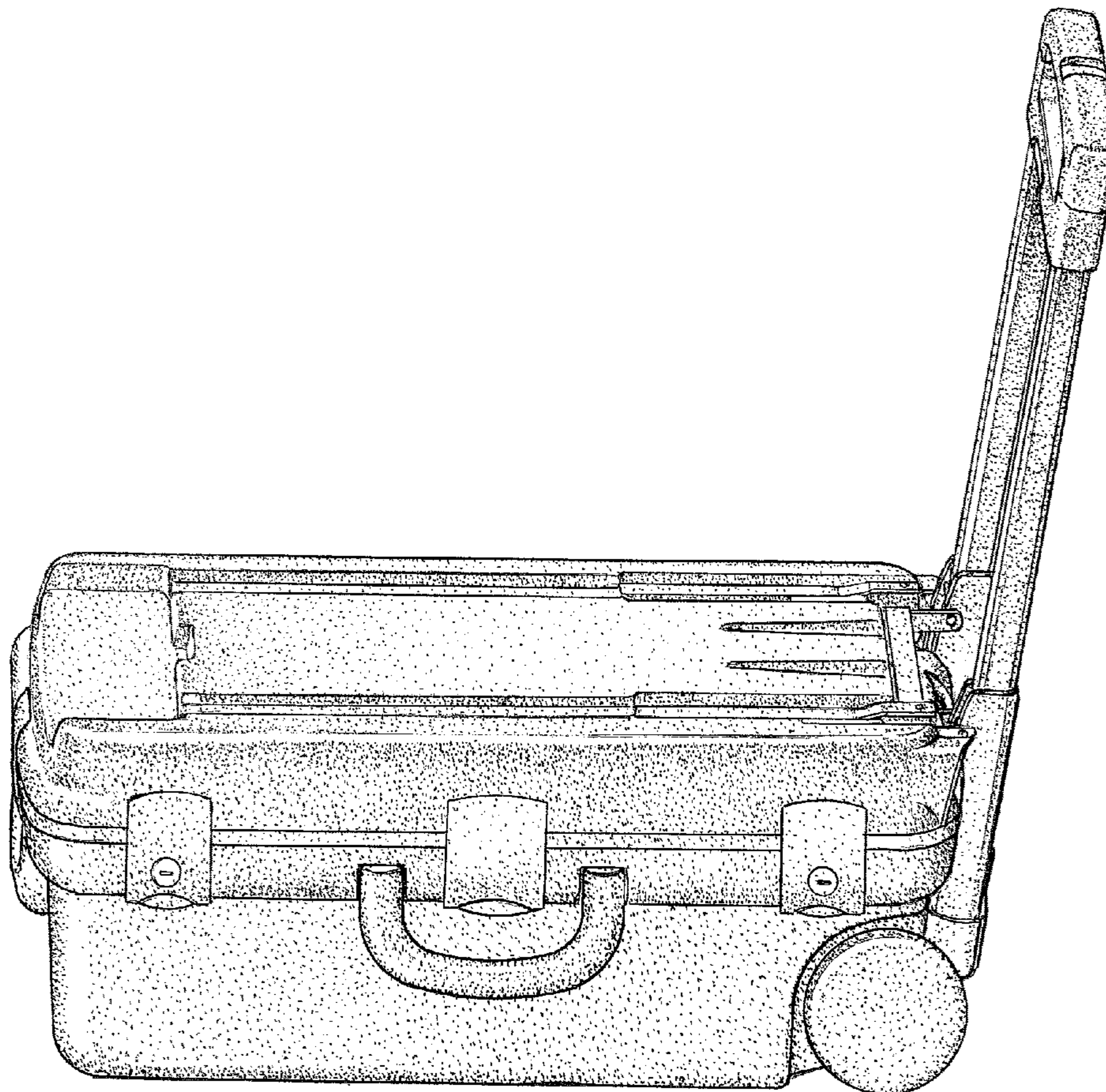
FIG. 1 is a top plan view of a carry-on showing my new design;
FIG. 2 is a left side elevational view thereof;
FIG. 3 is a right side elevational view thereof;
FIG. 4 is a bottom plan view thereof;
FIG. 5 is a rear end view thereof;
FIG. 6 is a front end view thereof;
FIG. 7 is a left side perspective view thereof showing the handle of the case in its elevated position; and,
FIG. 8 is a rear end view thereof showing the handle of the case in its elevated position.

(56) **References Cited**

U.S. PATENT DOCUMENTS

3,960,252	A *	6/1976	Cassimally	190/18 A
5,385,220	A *	1/1995	Pond et al.	190/18 A
D391,396	S *	3/1998	Yemini	D3/279
D456,993	S *	5/2002	Lin	D3/279
D480,276	S *	10/2003	Duart et al.	D7/605
6,832,670	B2 *	12/2004	Wolters et al.	190/18 A
D540,036	S *	4/2007	Newson	D3/279

1 Claim, 5 Drawing Sheets



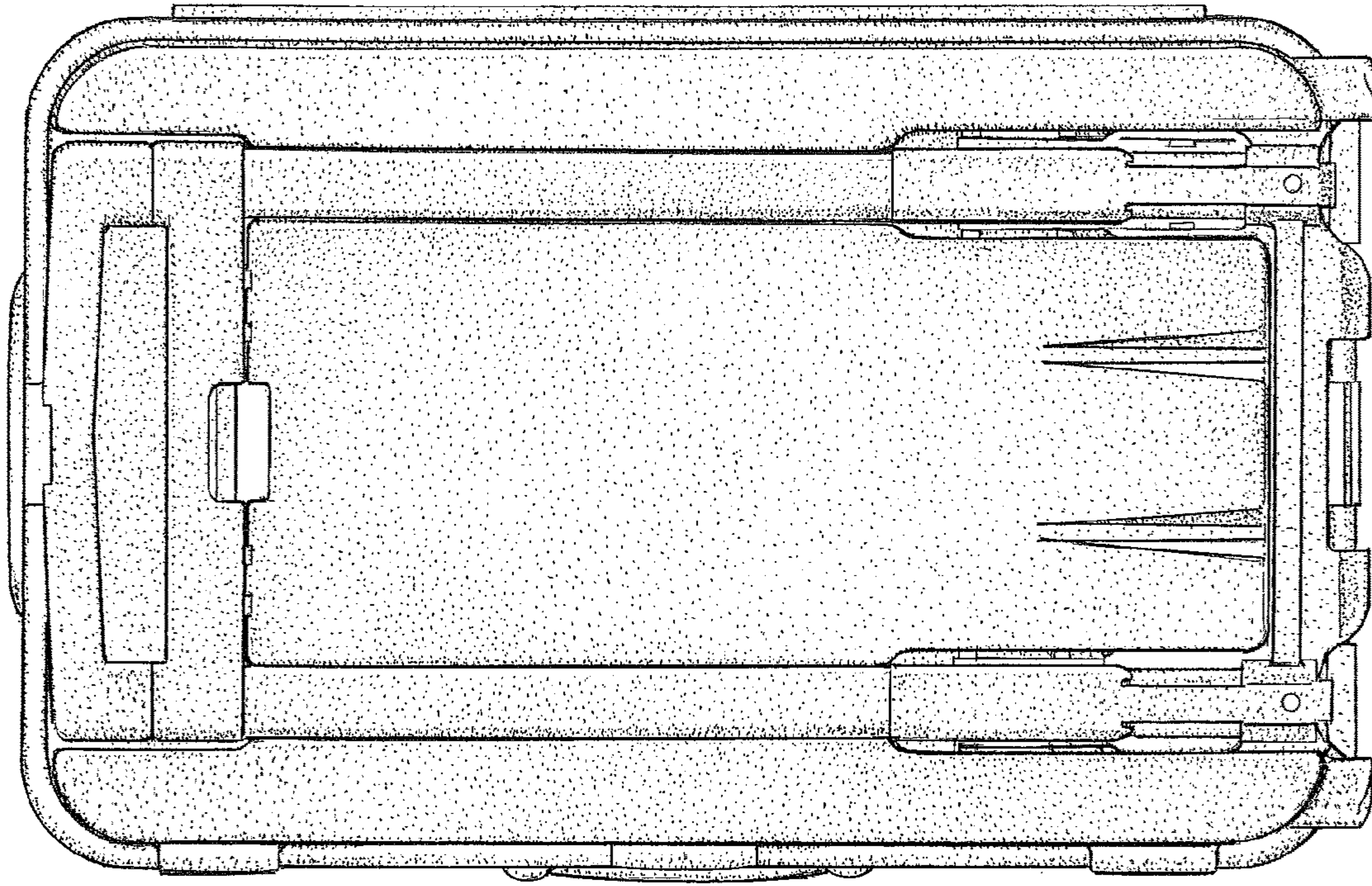


FIG. 1

FIG. 2

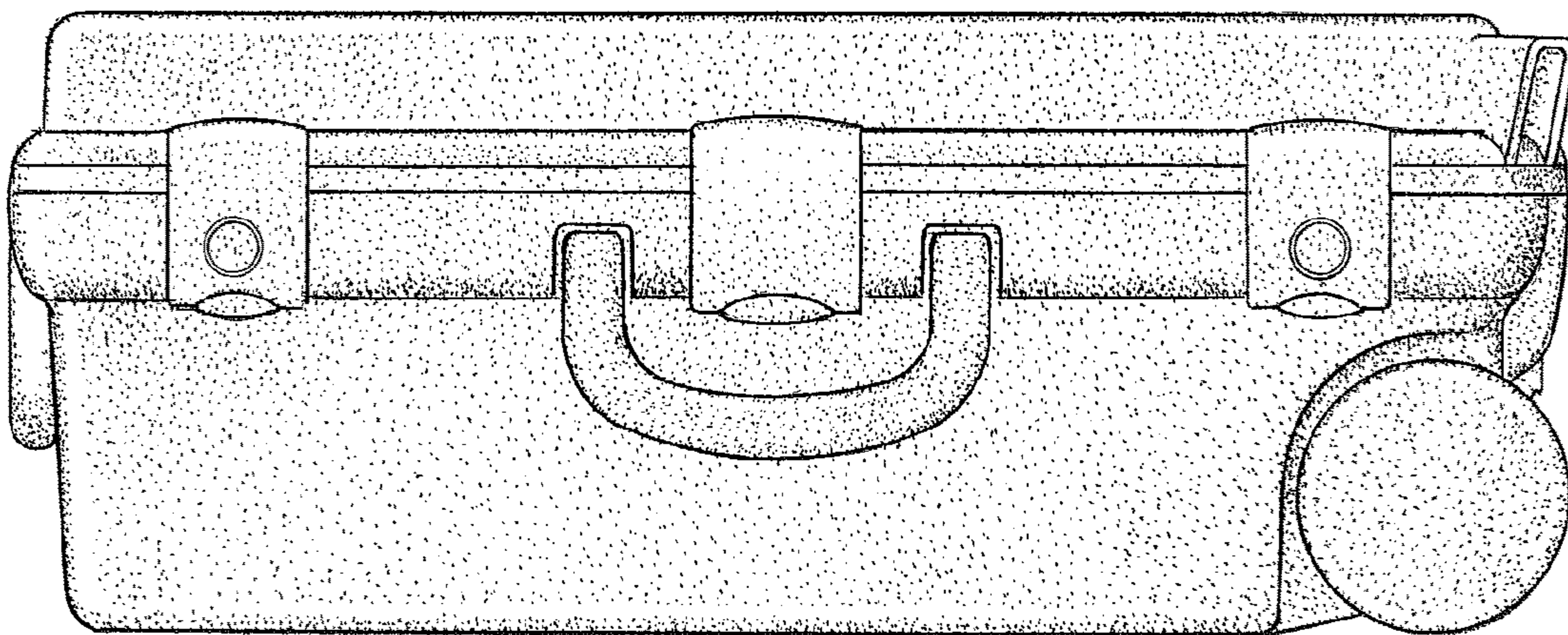


FIG.3

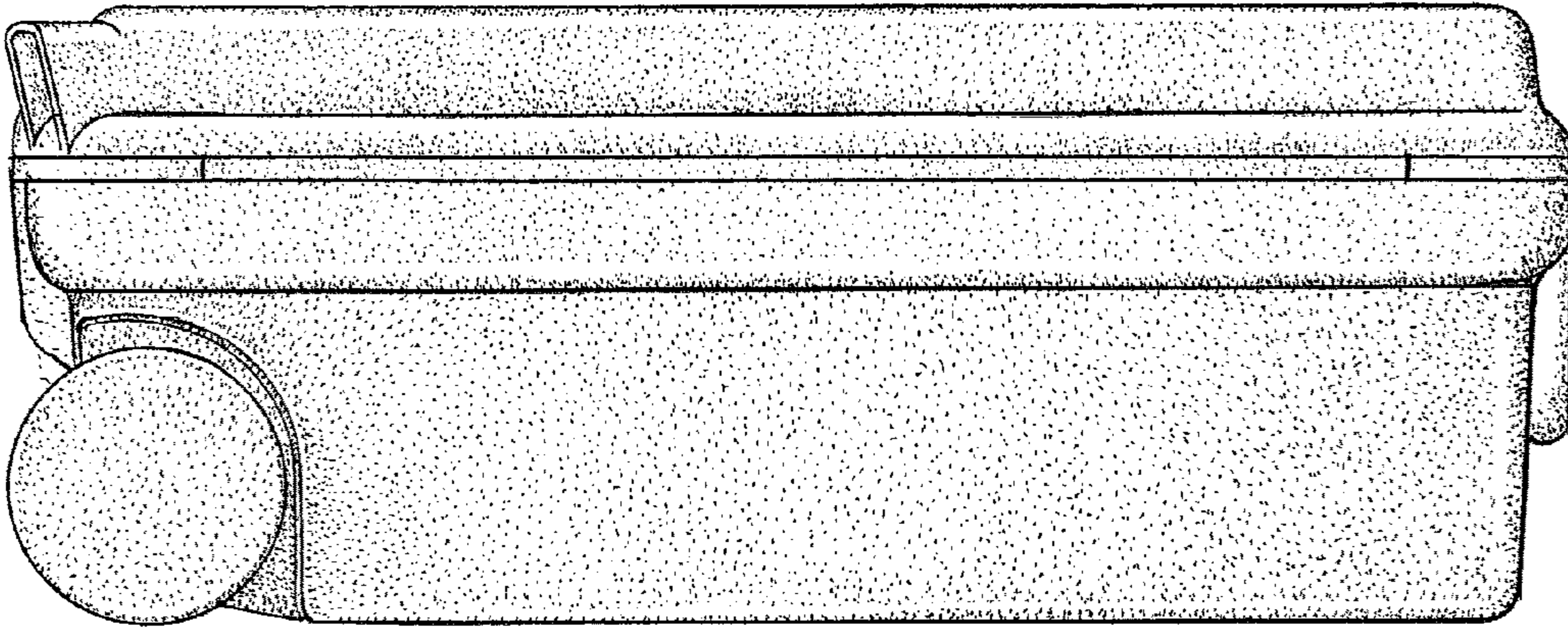


FIG.4

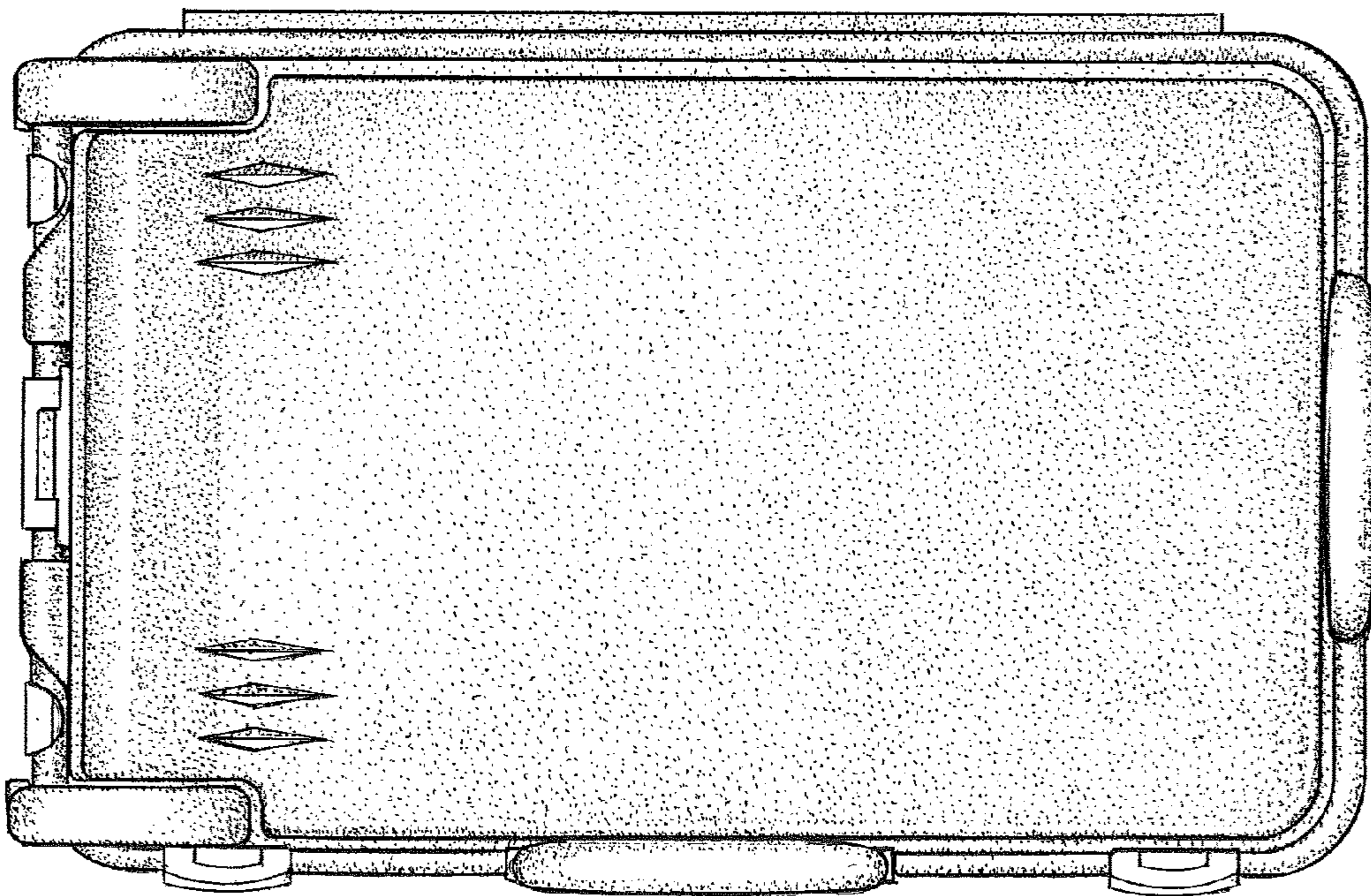


FIG.5

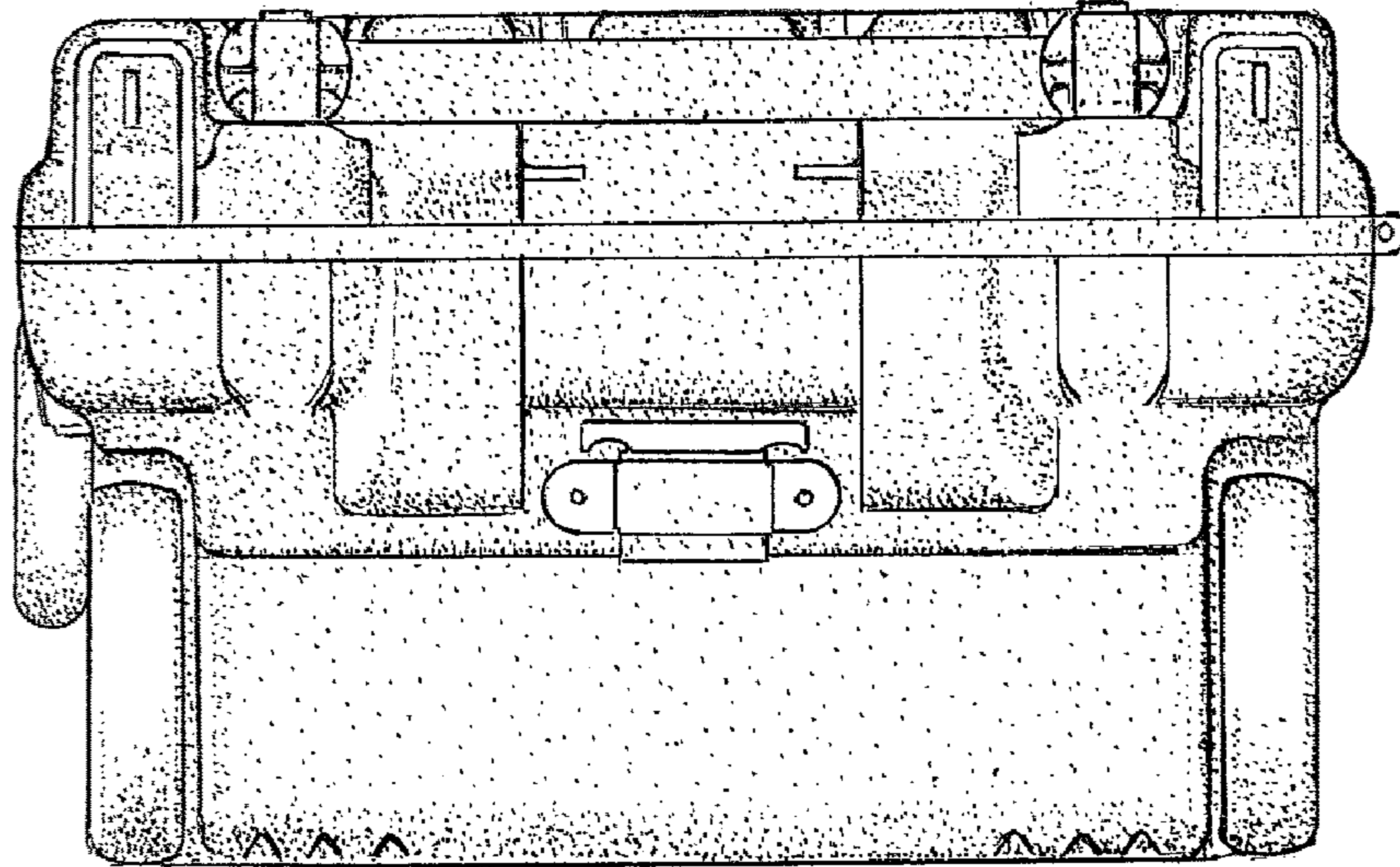


FIG.6

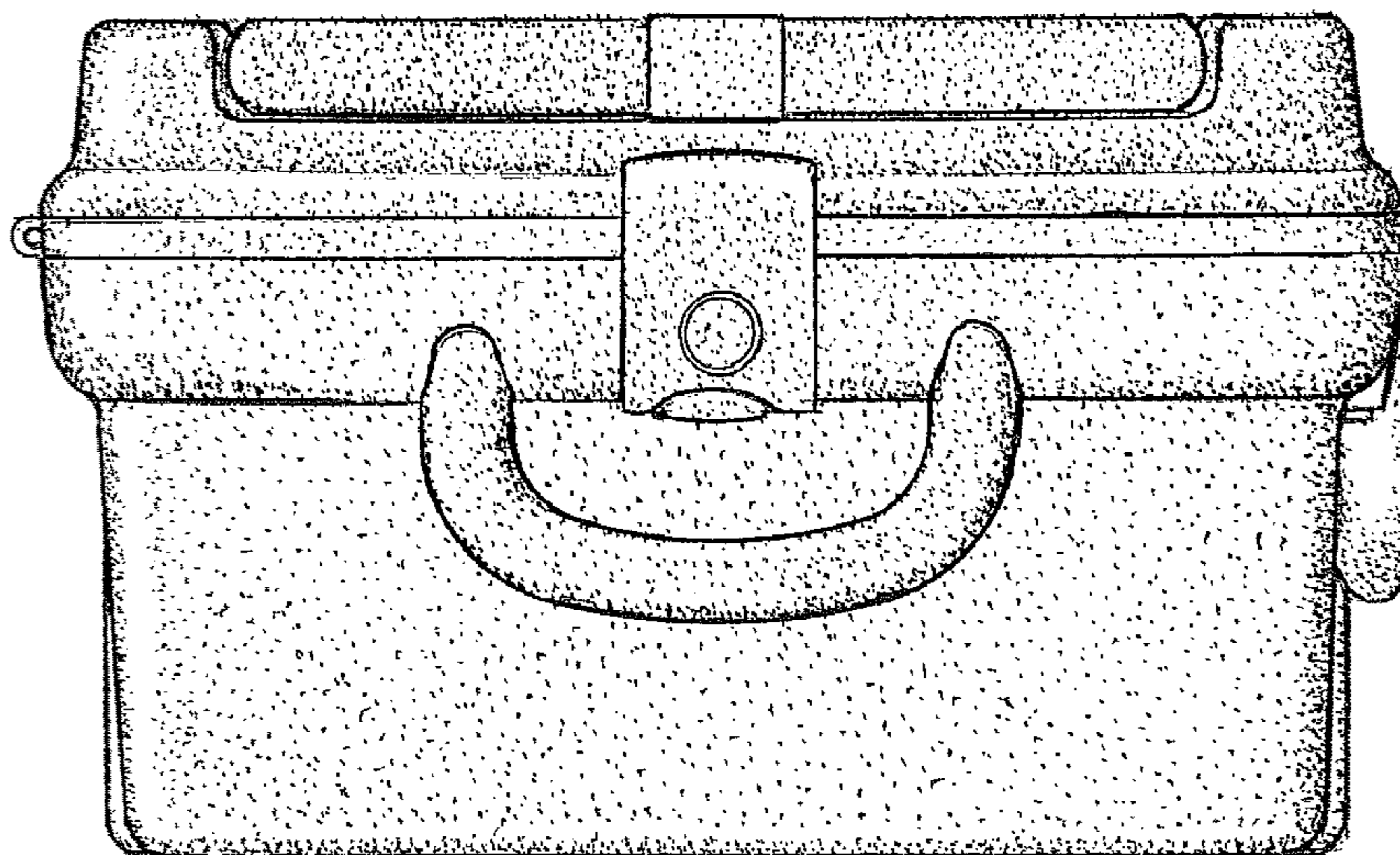


FIG. 7

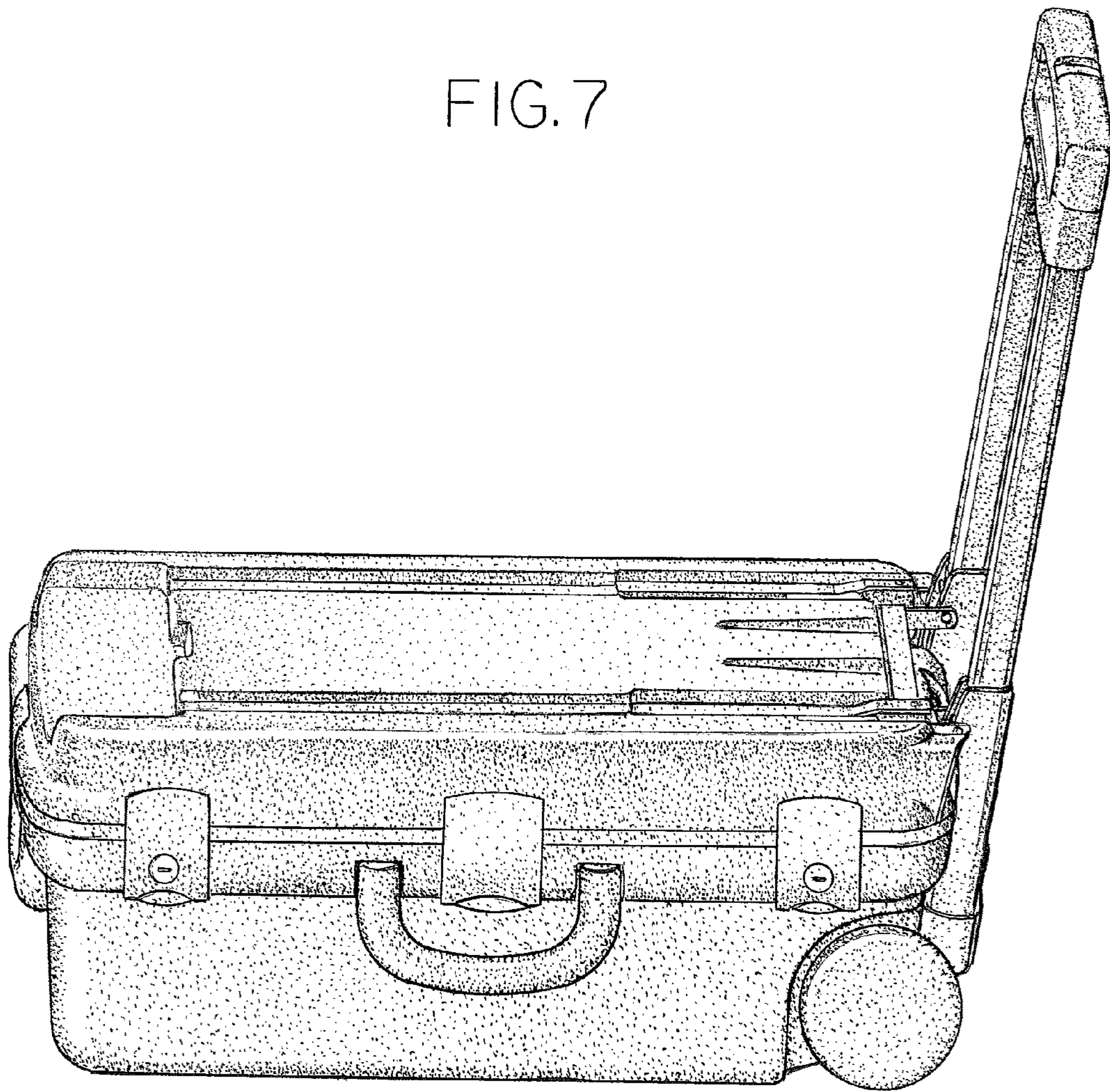


FIG. 8

