



US00D639054S

(12) **United States Design Patent**
Fraiman et al.

(10) **Patent No.:** **US D639,054 S**
(45) **Date of Patent:** **** Jun. 7, 2011**

(54) **CONTAINER ASSEMBLY**

(75) Inventors: **Zvika Fraiman**, Havazelet Hasharon (IL); **Mark Bensman**, Rosh Ha'Ayin (IL)

(73) Assignee: **The Stanley Works Israel Ltd.**, Rosh Ha'Ayin (IL)

(**) Term: **14 Years**

(21) Appl. No.: **29/367,774**

(22) Filed: **Aug. 12, 2010**

(51) **LOC (9) Cl.** **03-01**

(52) **U.S. Cl.** **D3/276; D3/905**

(58) **Field of Classification Search** D3/273,
D3/274, 276, 280-284, 286, 288, 291, 292,
D3/294-295, 905; 206/349, 372-379; 220/523,
220/527

See application file for complete search history.

(56) **References Cited**

U.S. PATENT DOCUMENTS

| | | | | |
|--------------|---------|------------------|-------|--------|
| D367,958 S * | 3/1996 | Tisbo et al. | | D3/273 |
| D378,874 S * | 4/1997 | Dickinson et al. | | D3/281 |
| D404,916 S * | 2/1999 | Dickinson et al. | | D3/281 |
| D417,956 S * | 12/1999 | Story et al. | | D3/295 |

| | | | | |
|--------------|--------|--------------|-------|--------|
| D496,531 S * | 9/2004 | Einav et al. | | D3/276 |
| D609,913 S * | 2/2010 | Landau | | D3/321 |
| D630,435 S * | 1/2011 | Brunner | | D3/276 |

* cited by examiner

Primary Examiner — Jennifer Rivard

(74) *Attorney, Agent, or Firm* — Pillsbury Winthrop Shaw Pittman LLP

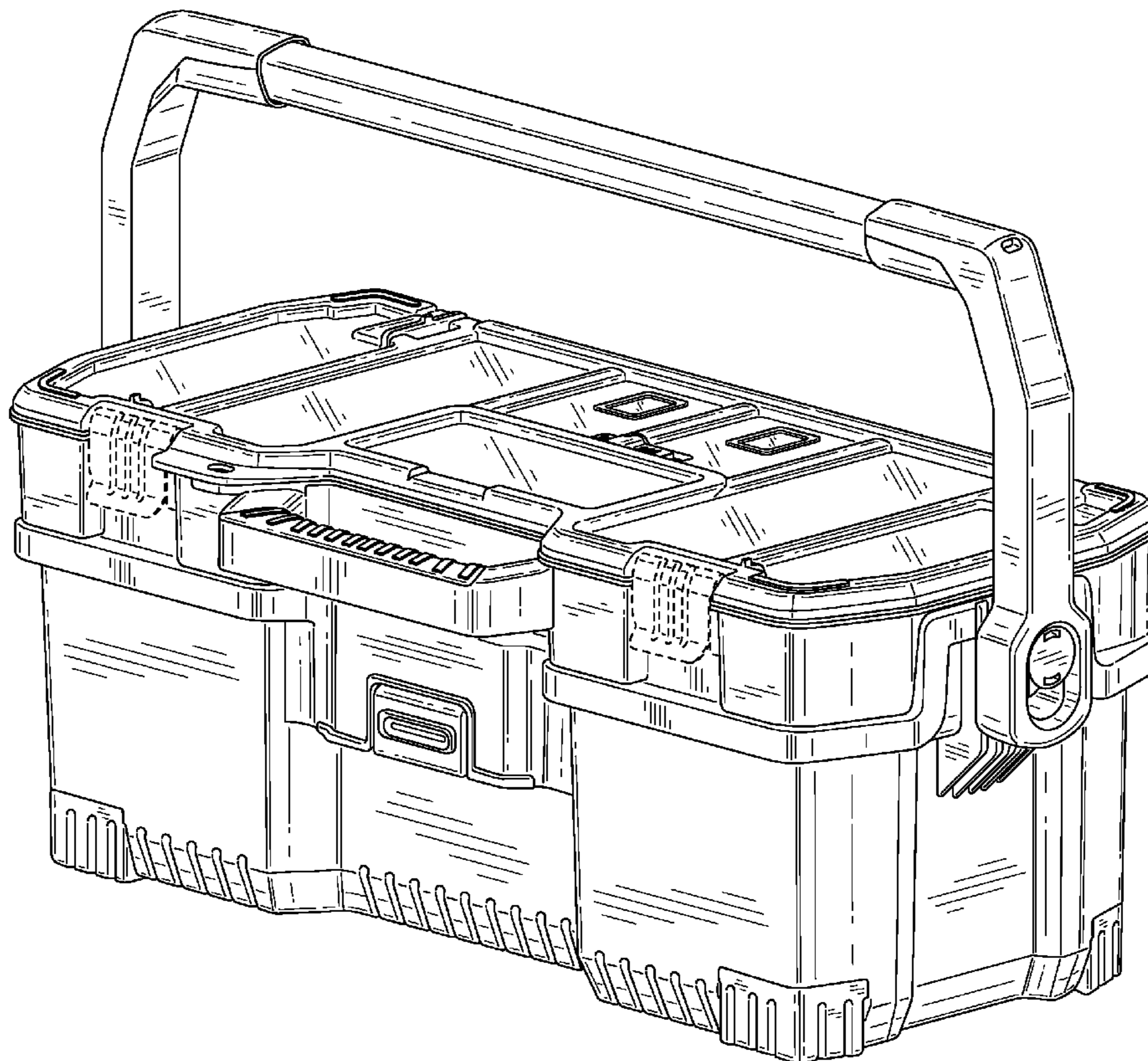
(57) **CLAIM**

The ornamental design for a container assembly, as shown and described.

DESCRIPTION

FIG. 1 is an isometric view according to our design; FIG. 2 is a front elevational view of the design of FIG. 1; FIG. 3 is a rear elevational view of the design of FIG. 1; FIG. 4 is a left elevational view of the design of FIG. 1; FIG. 5 is a right elevational view of the design of FIG. 1; FIG. 6 is a top plan view of the design of FIG. 1; and, FIG. 7 is a bottom plan view of the design of FIG. 1. The shading on the top cover in FIGS. 1 and 6 is intended to represent a translucent material. Where included, broken lines showing environment or structure are for illustrative purposes only and form no part of the claimed design.

1 Claim, 7 Drawing Sheets



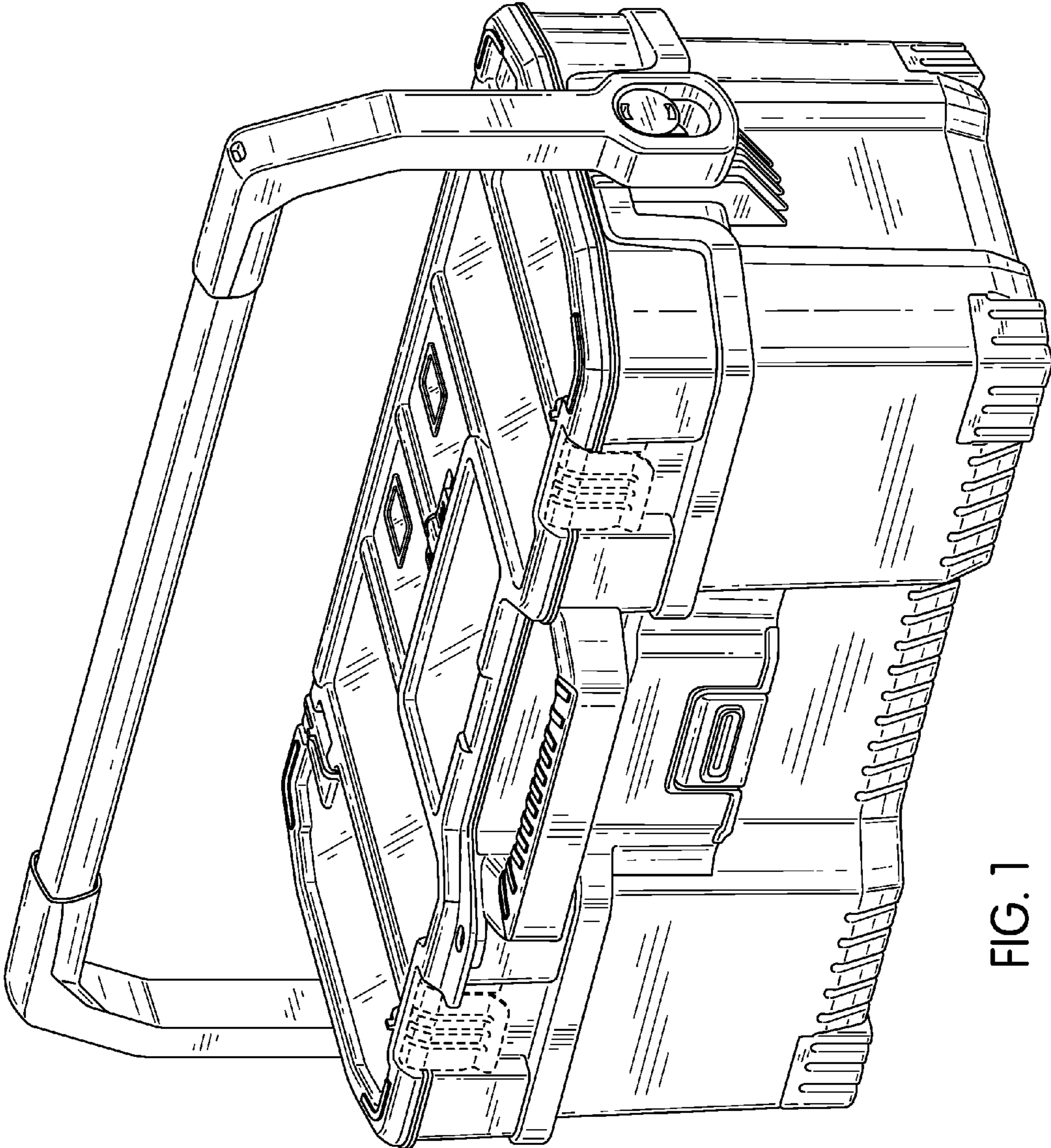


FIG. 1

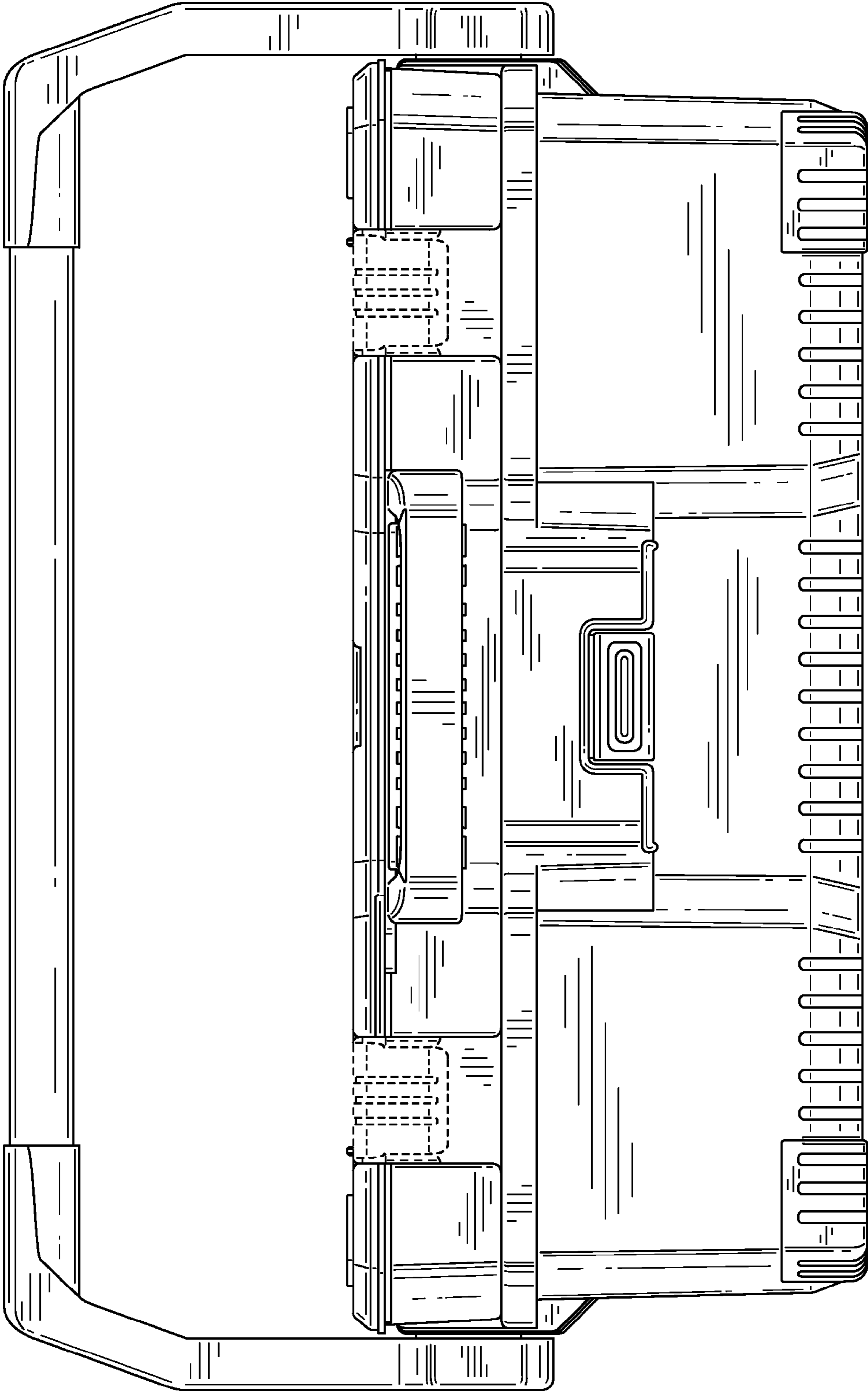


FIG. 2

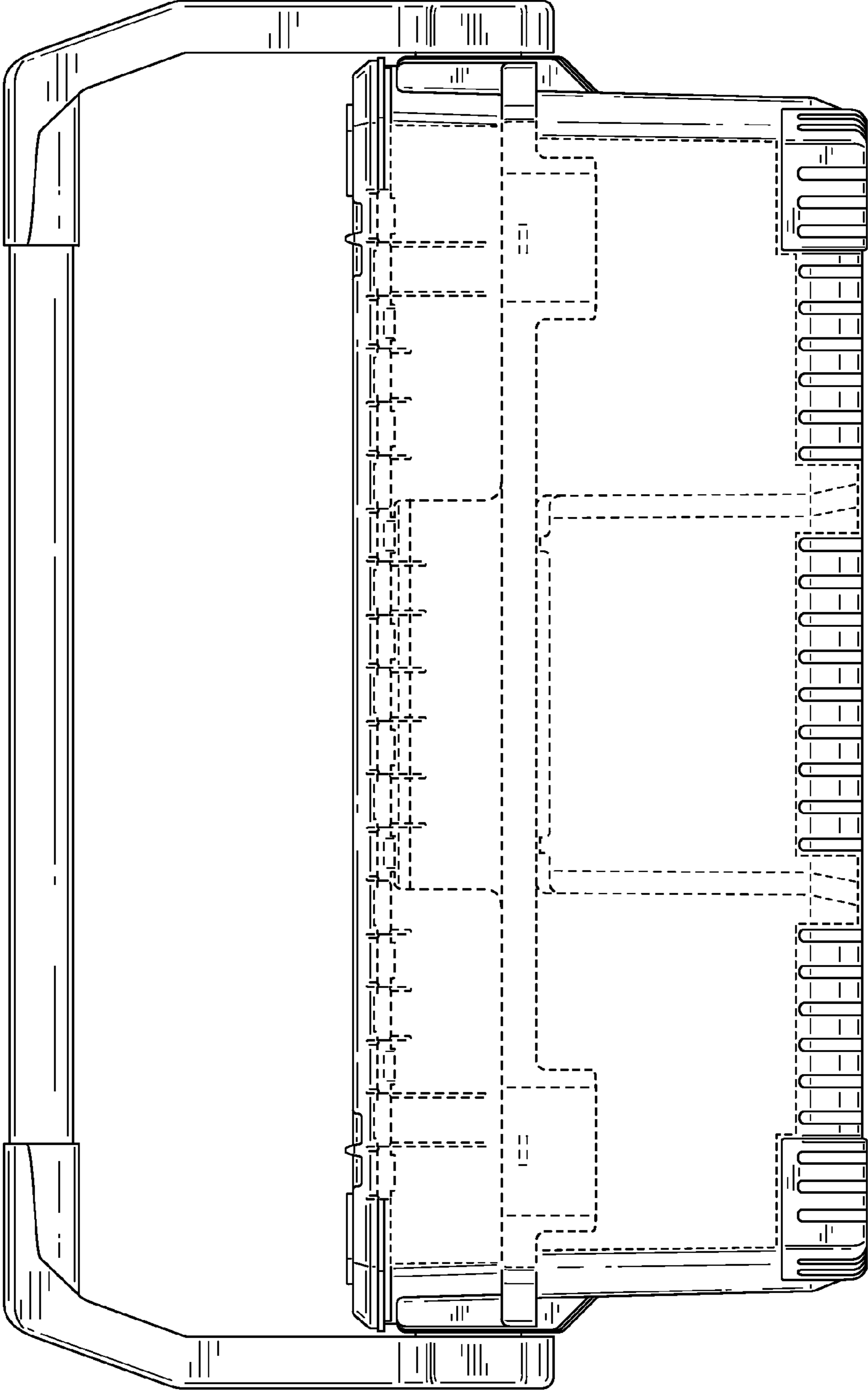


FIG. 3

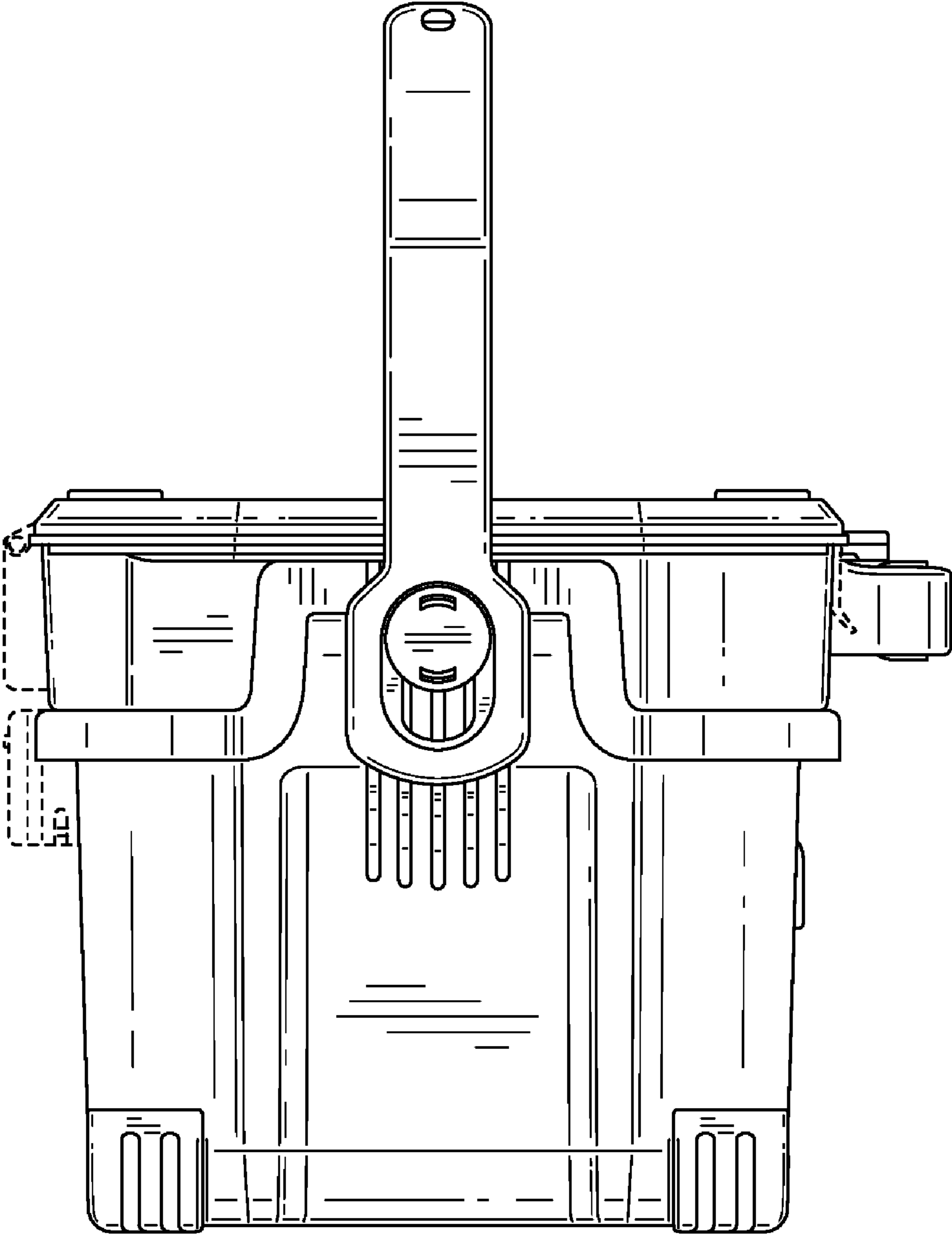


FIG. 4

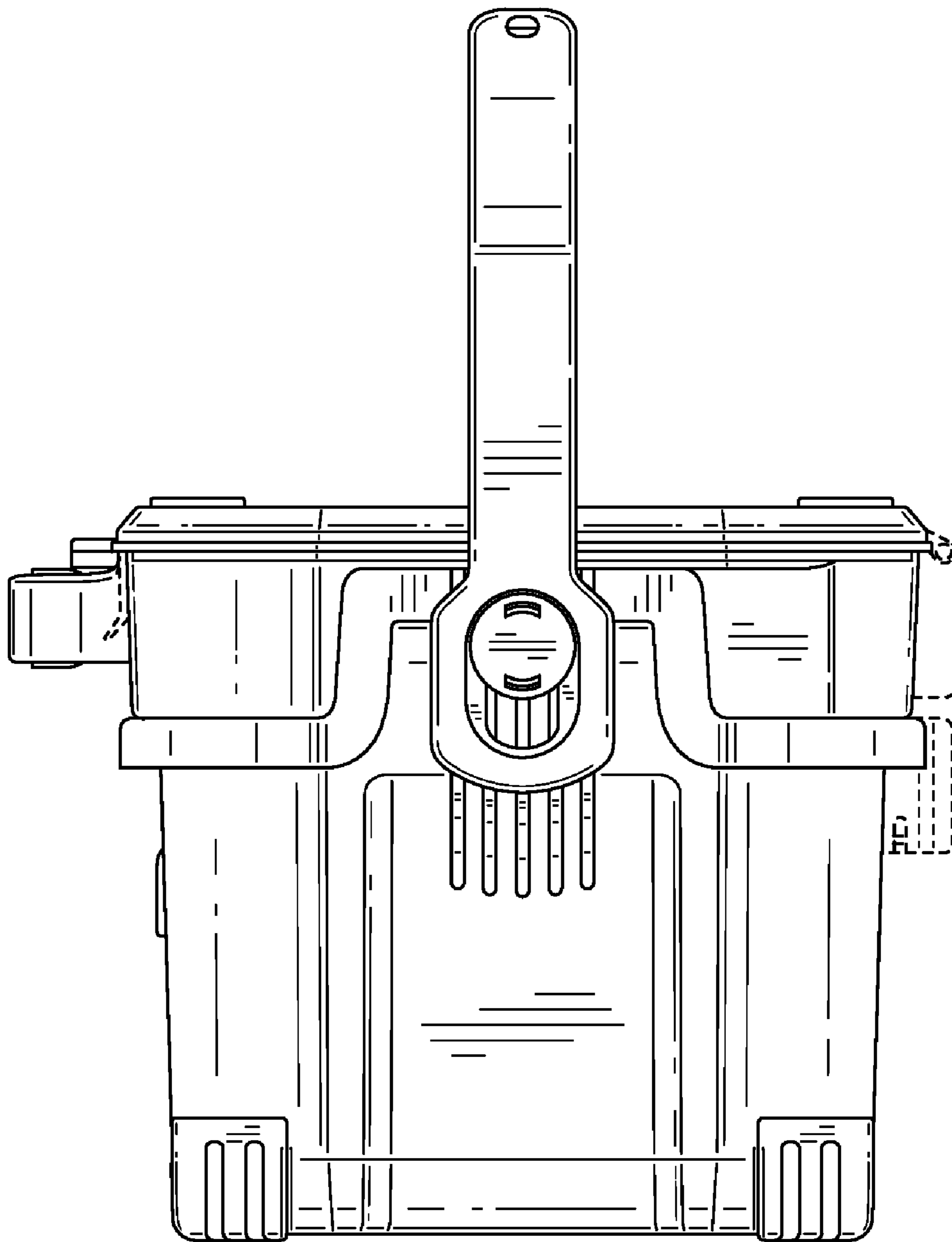


FIG. 5

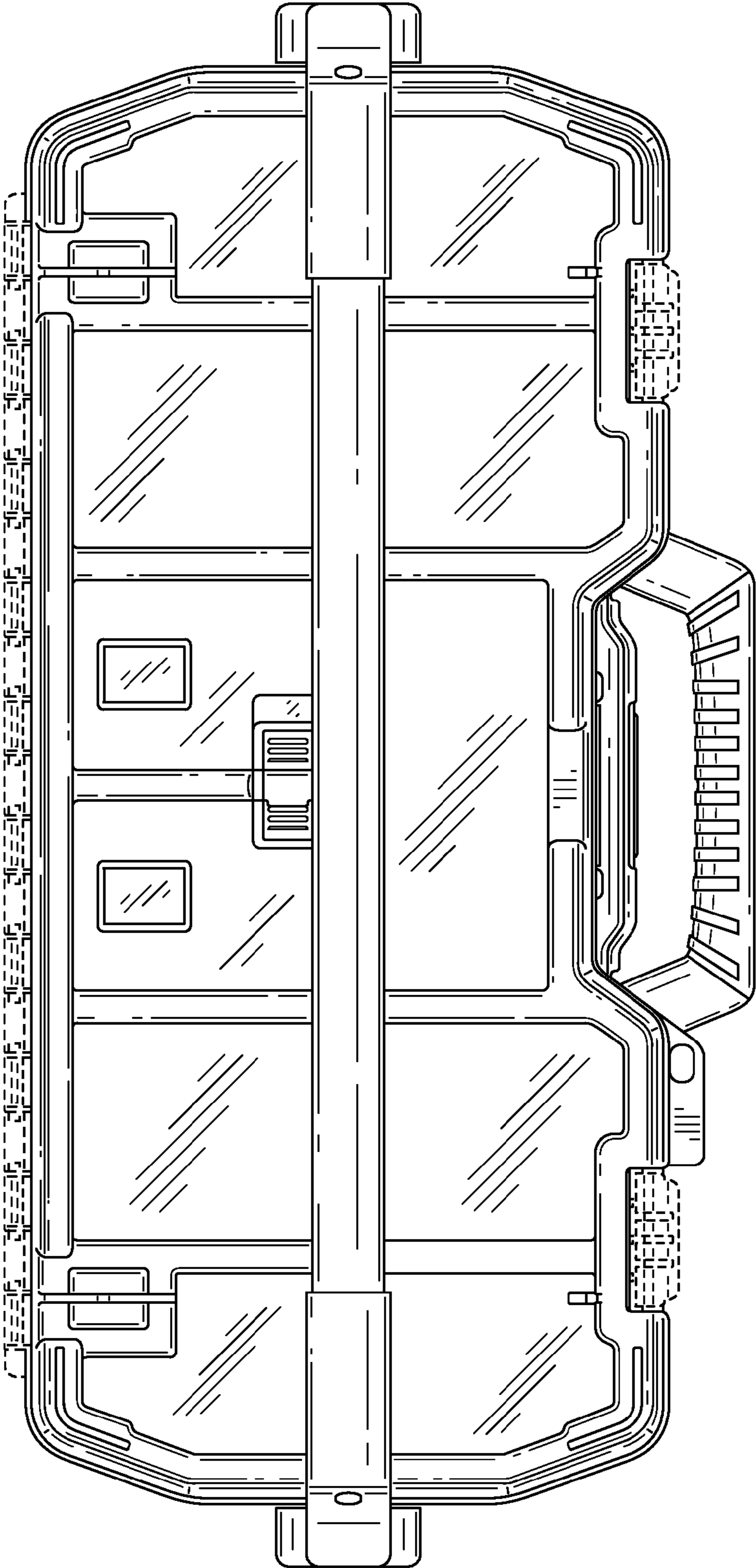


FIG. 6

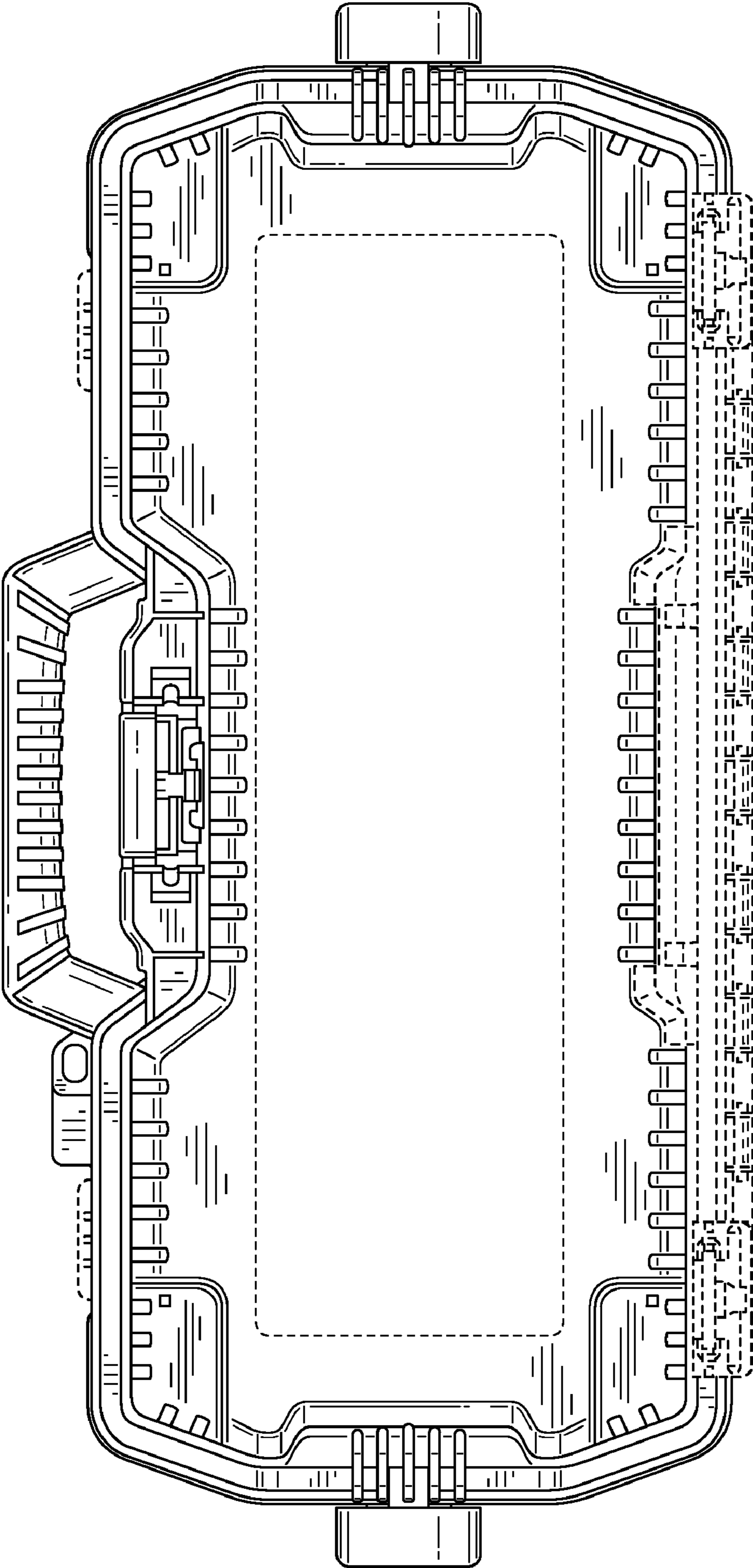


FIG. 7