



US00D639050S

(12) **United States Design Patent**  
**Bruhn**

(10) **Patent No.:** **US D639,050 S**

(45) **Date of Patent:** **\*\* Jun. 7, 2011**

(54) **POLO BAG**

(76) Inventor: **Anya Annette Bruhn**, Buenos Aires  
(AR)

(\*\*) Term: **14 Years**

(21) Appl. No.: **29/346,808**

(22) Filed: **Nov. 6, 2009**

(30) **Foreign Application Priority Data**

May 7, 2009 (AR) ..... 79245

(51) **LOC (9) Cl.** ..... **03-01**

(52) **U.S. Cl.** ..... **D3/254**

(58) **Field of Classification Search** ..... D3/254,  
D3/261, 259; 206/315.1, 315.3-315.8; 224/645,  
224/260, 627

See application file for complete search history.

(56) **References Cited**

**U.S. PATENT DOCUMENTS**

D267,443 S \* 1/1983 Salas ..... D3/261

D362,115 S \* 9/1995 Moneta ..... D3/261

D379,870 S \* 6/1997 Moneta ..... D3/261

\* cited by examiner

*Primary Examiner* — Holly H Baynham

(74) *Attorney, Agent, or Firm* — Notaro, Michalos & Zaccaria P.C.

(57) **CLAIM**

The ornamental design for a polo bag, as shown and described.

**DESCRIPTION**

FIG. 1 is a perspective view of a polo bag showing my new design therefor, meant for storing the equipment for playing the game of polo;

FIG. 2 is a top plan view thereof;

FIG. 3 is a side elevational end view thereof, the opposite side being identical;

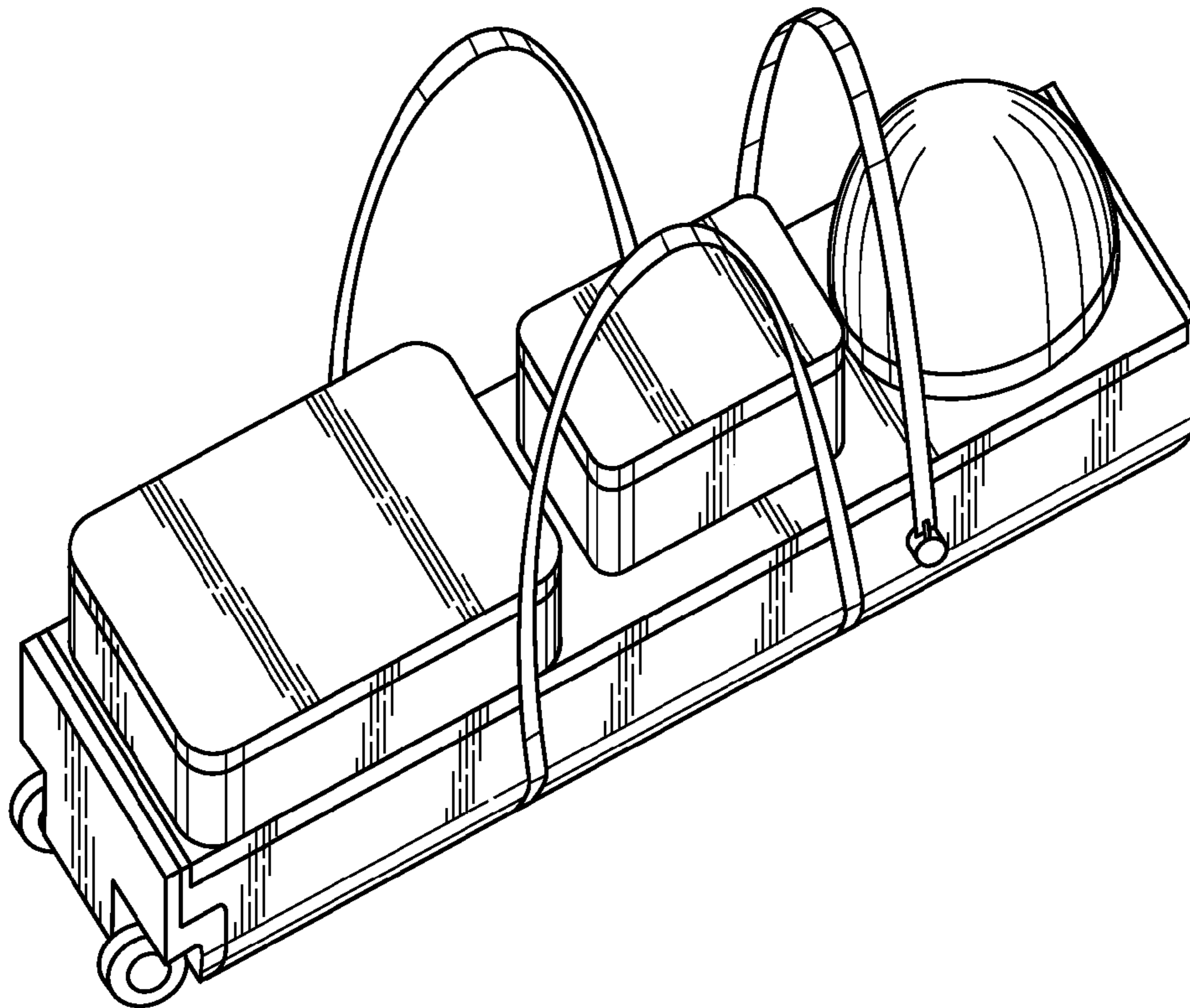
FIG. 4 is a bottom plan view thereof;

FIG. 5 is a rear elevational view thereof;

FIG. 6 is a front elevational view thereof; and,

FIG. 7 is a perspective view thereof similar to FIG. 1, but with the smaller compartments shown in an open position.

**1 Claim, 4 Drawing Sheets**



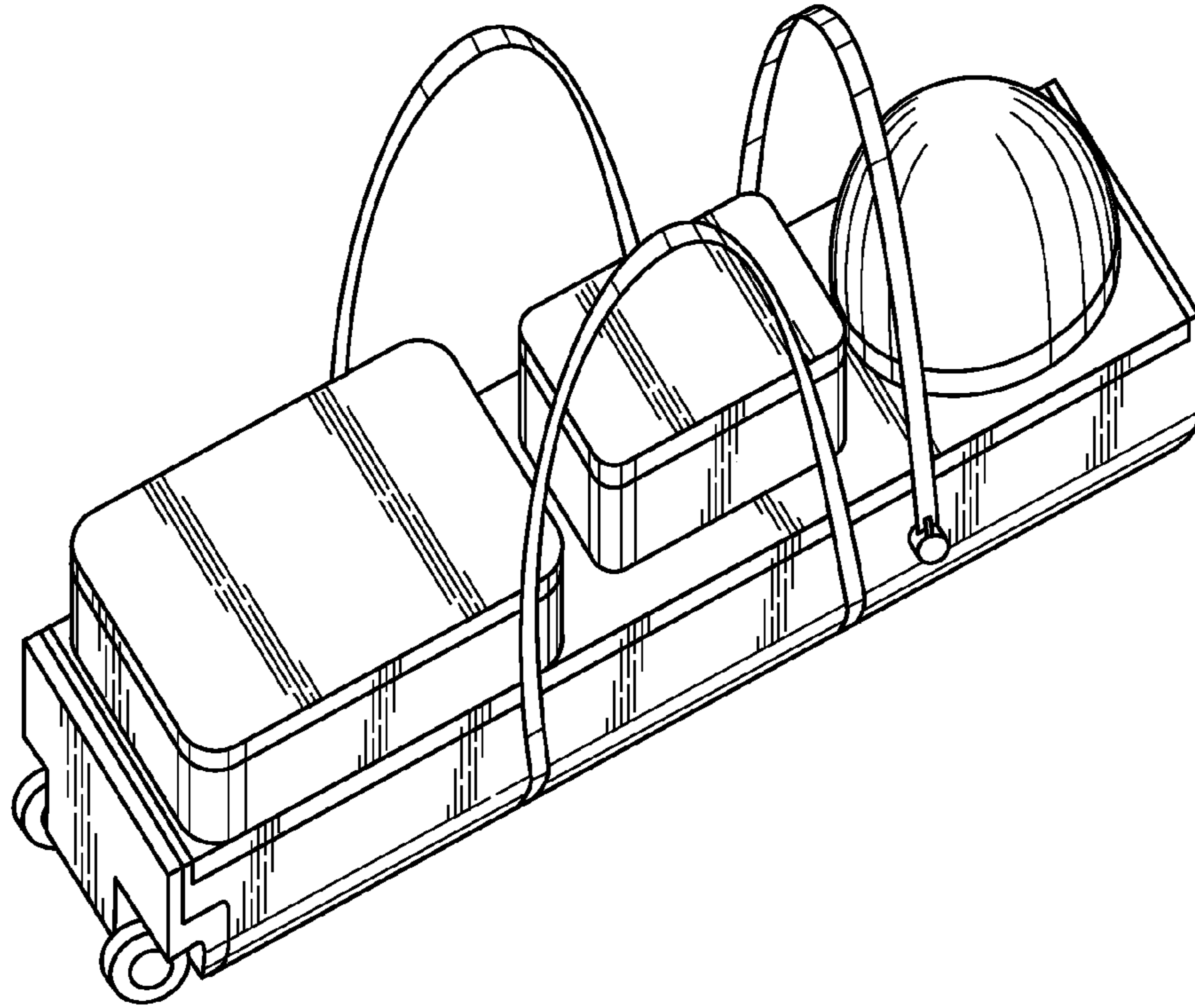


FIG. 1

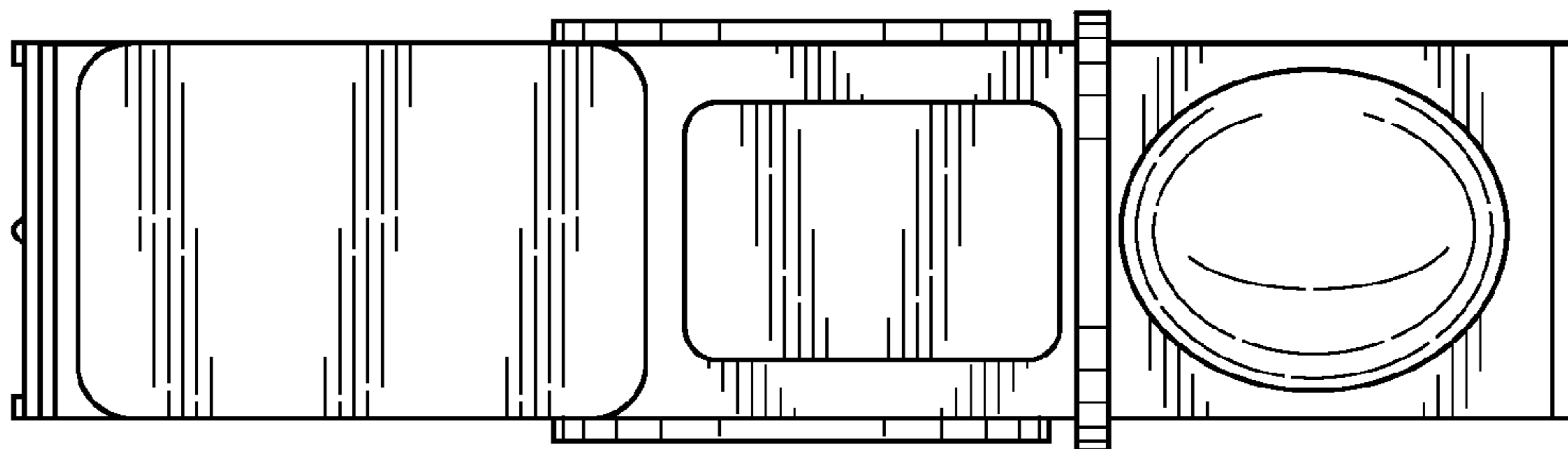


FIG. 2

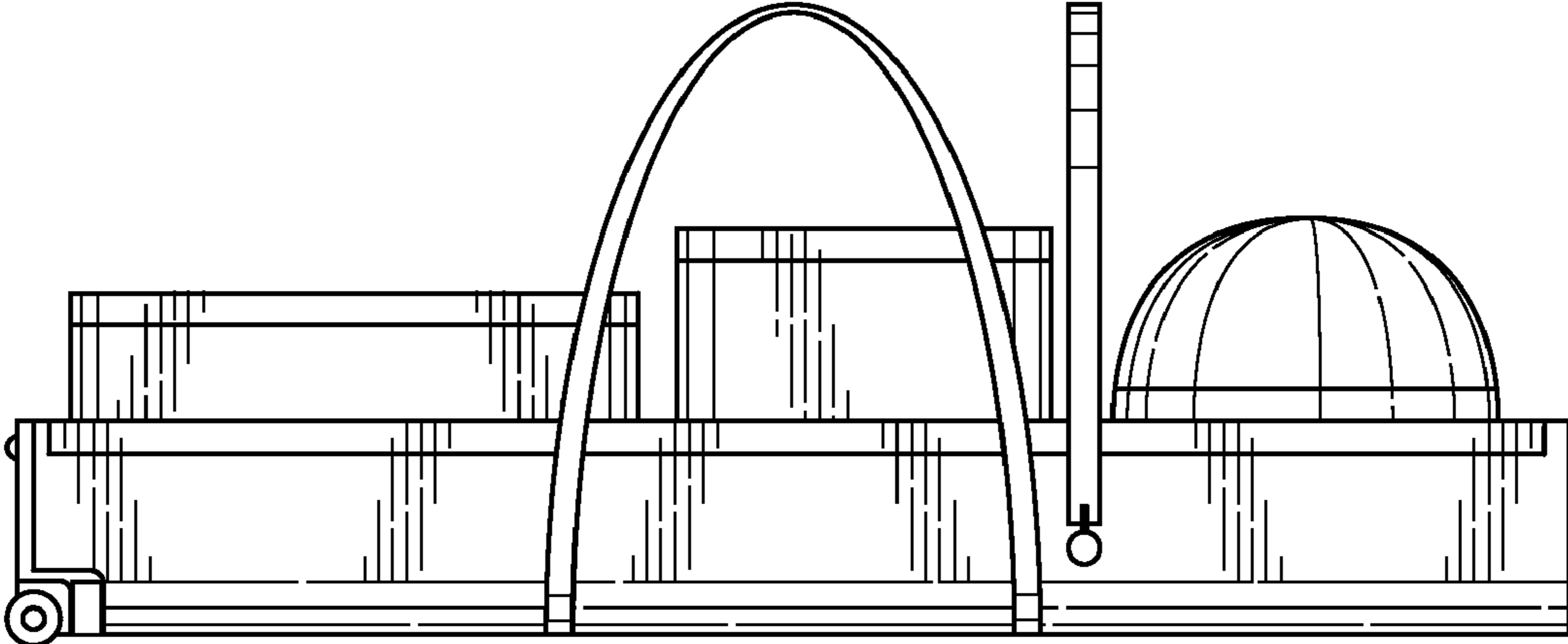


FIG. 3

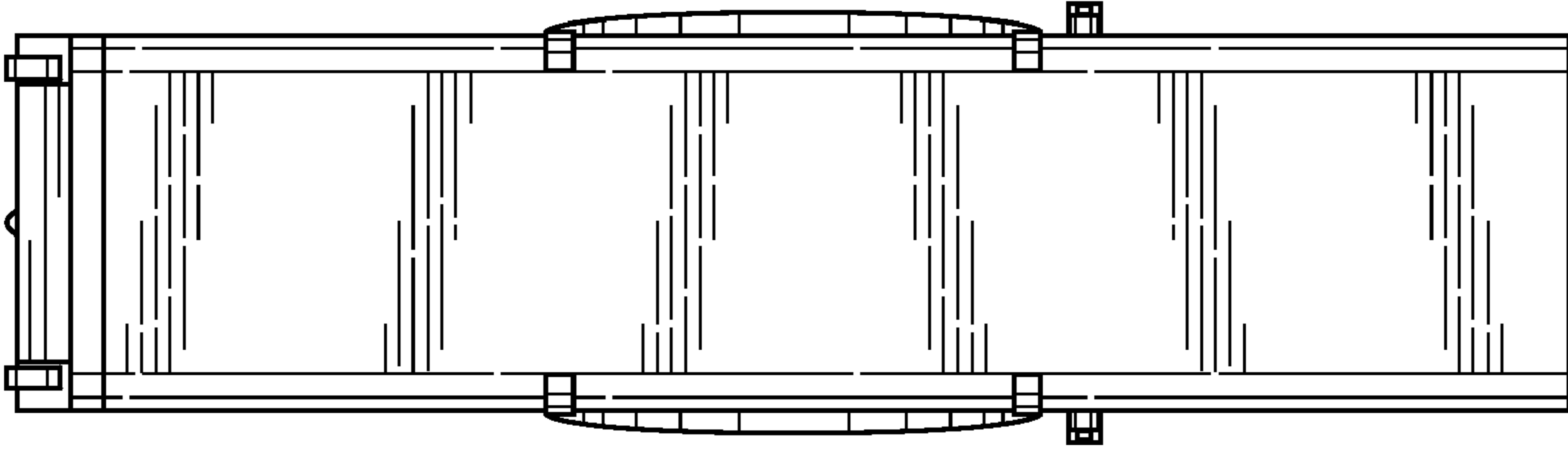


FIG. 4

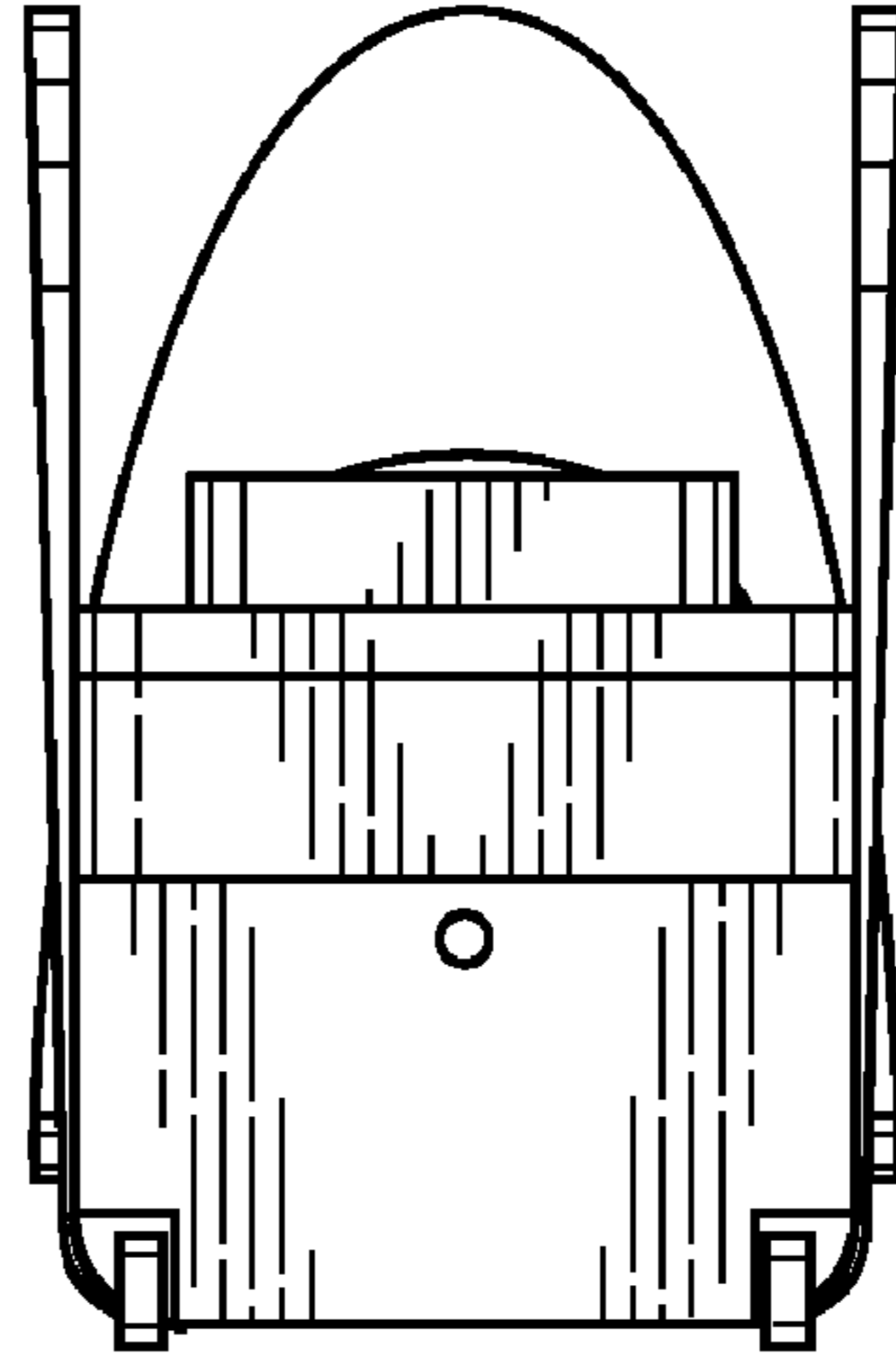


FIG. 5

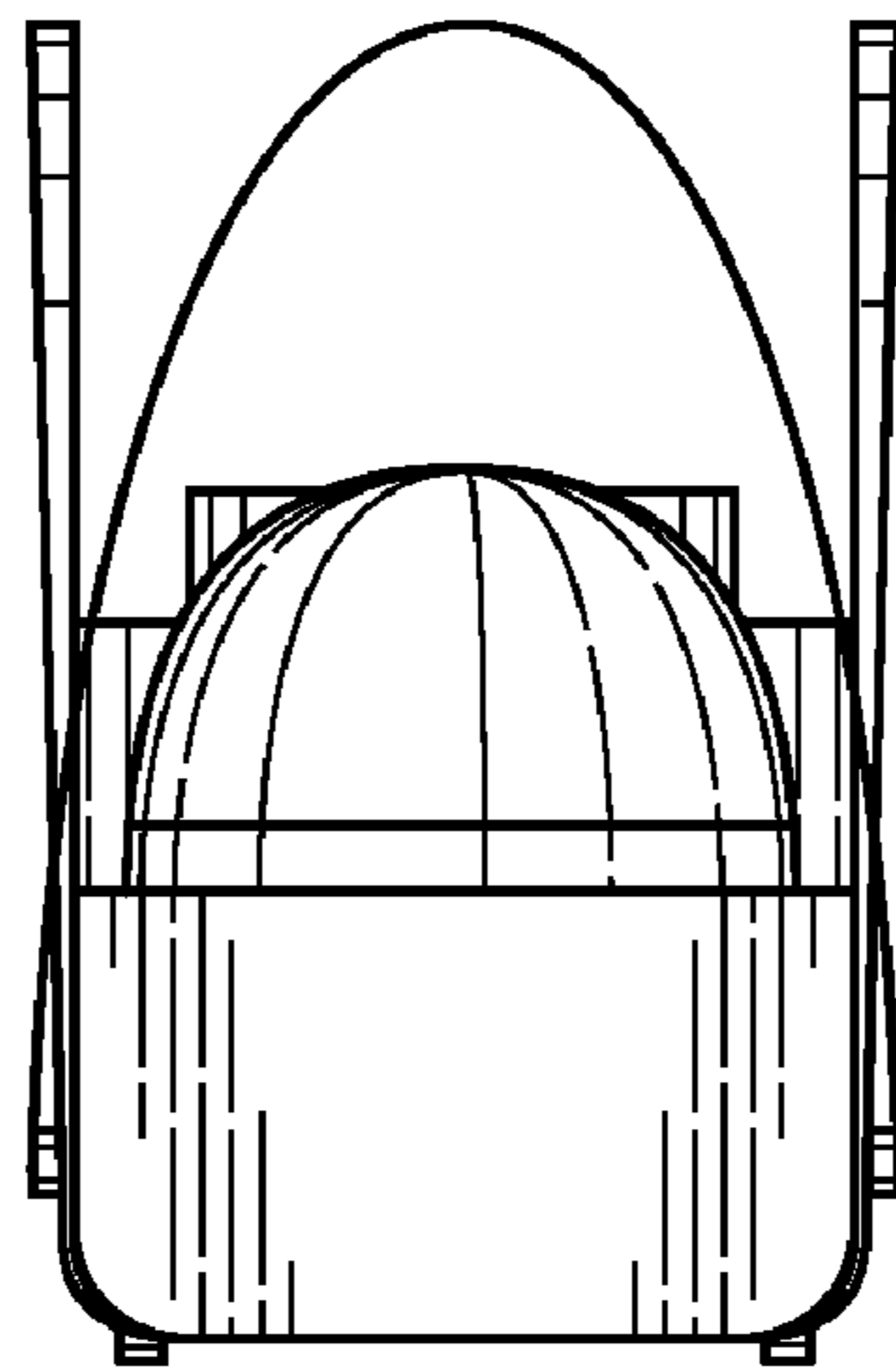


FIG. 6

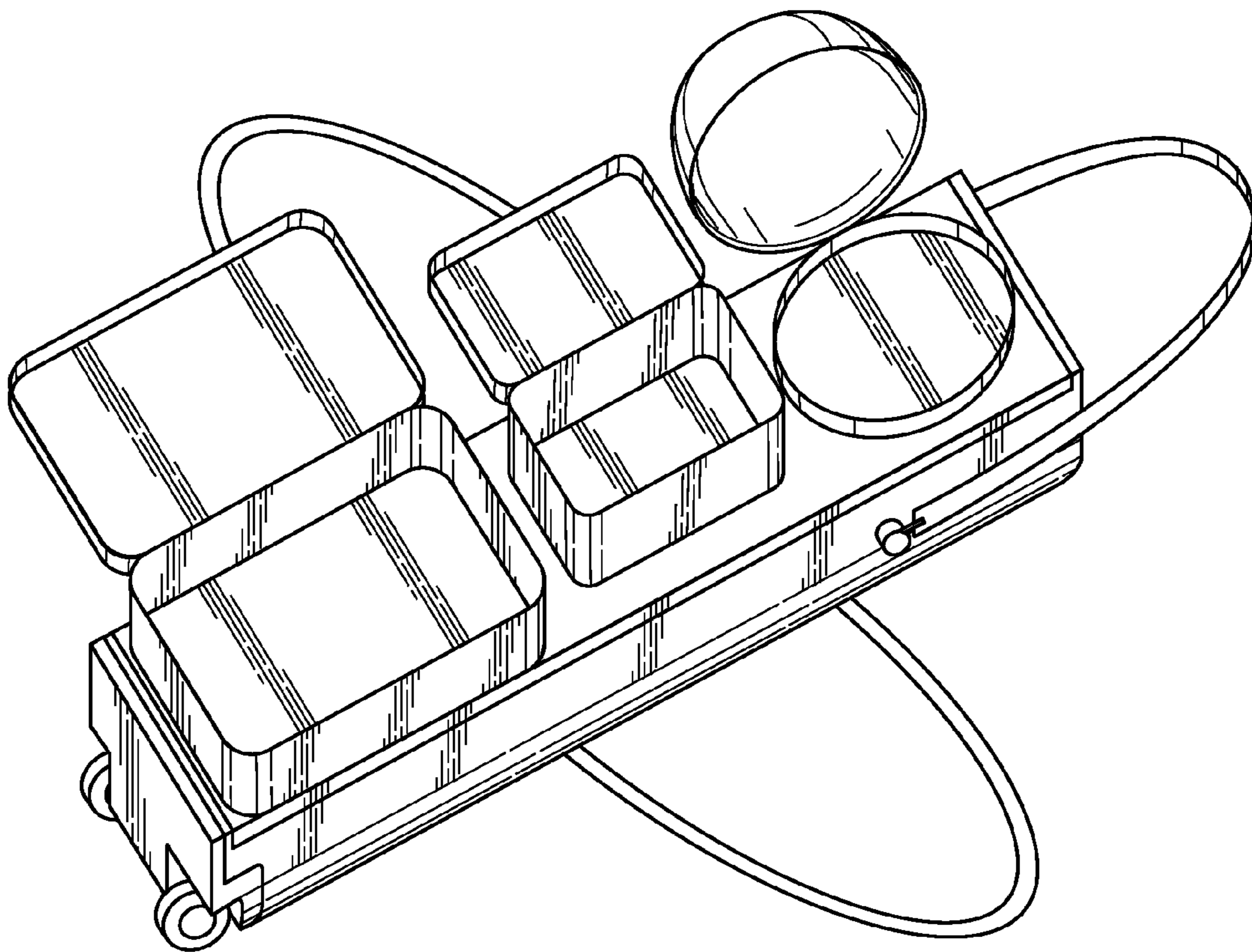


FIG. 7