



US00D639048S

(12) **United States Design Patent**
Bussard

(10) **Patent No.:** **US D639,048 S**

(45) **Date of Patent:** **** Jun. 7, 2011**

(54) **SHAD BOTTLE BOOTIE**

(76) Inventor: **Darrell Bussard**, Nipomo, CA (US)

(**) Term: **14 Years**

(21) Appl. No.: **29/364,061**

(22) Filed: **Jun. 17, 2010**

(51) **LOC (9) Cl.** **03-01**

(52) **U.S. Cl.** **D3/221**

(58) **Field of Classification Search** D3/221,
D3/215, 224, 226, 228-229; 224/920, 901.4,
224/250-251, 269; 206/315.11

See application file for complete search history.

(56) **References Cited**

U.S. PATENT DOCUMENTS

D389,303 S *	1/1998	Shafer	D3/228
D415,891 S *	11/1999	Renna	D3/221
D510,479 S *	10/2005	Ellis	D3/215
D569,097 S *	5/2008	Leslie et al.	D3/229
D584,043 S *	1/2009	Baskett	D3/221

* cited by examiner

Primary Examiner — Catherine R Oliver

(74) *Attorney, Agent, or Firm* — Trellis IP Law Group, PC

(57) **CLAIM**

The ornamental design for a shad bottle bootie, as shown and described.

DESCRIPTION

FIG. 1 is a perspective view of the shad bottle bootie showing my new design, the broken lines being for illustrative purposes only and forming no part of the claimed design; FIG. 2 is a front elevational view thereof; FIG. 3 is a rear elevational view thereof; FIG. 4 is a side elevational view thereof; FIG. 5 is a side elevational view thereof; FIG. 6 is a top plan view thereof; FIG. 7 is a bottom plan view thereof; FIG. 8 is a perspective view of the design shown in use, with the broken lines being for illustrative purposes only and forming no part of the claimed design; and, FIG. 9 is a perspective view of the invention with the flap in an open position.

1 Claim, 6 Drawing Sheets

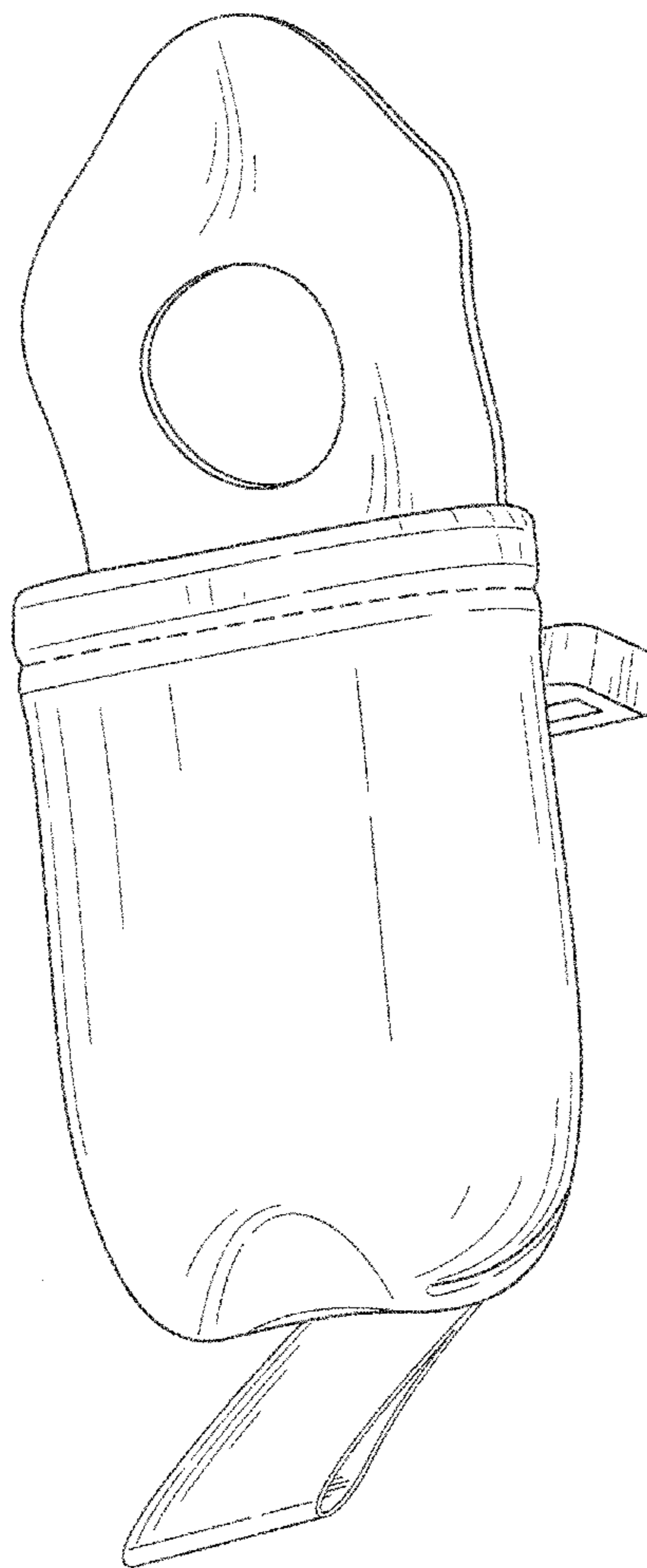




FIG. 1

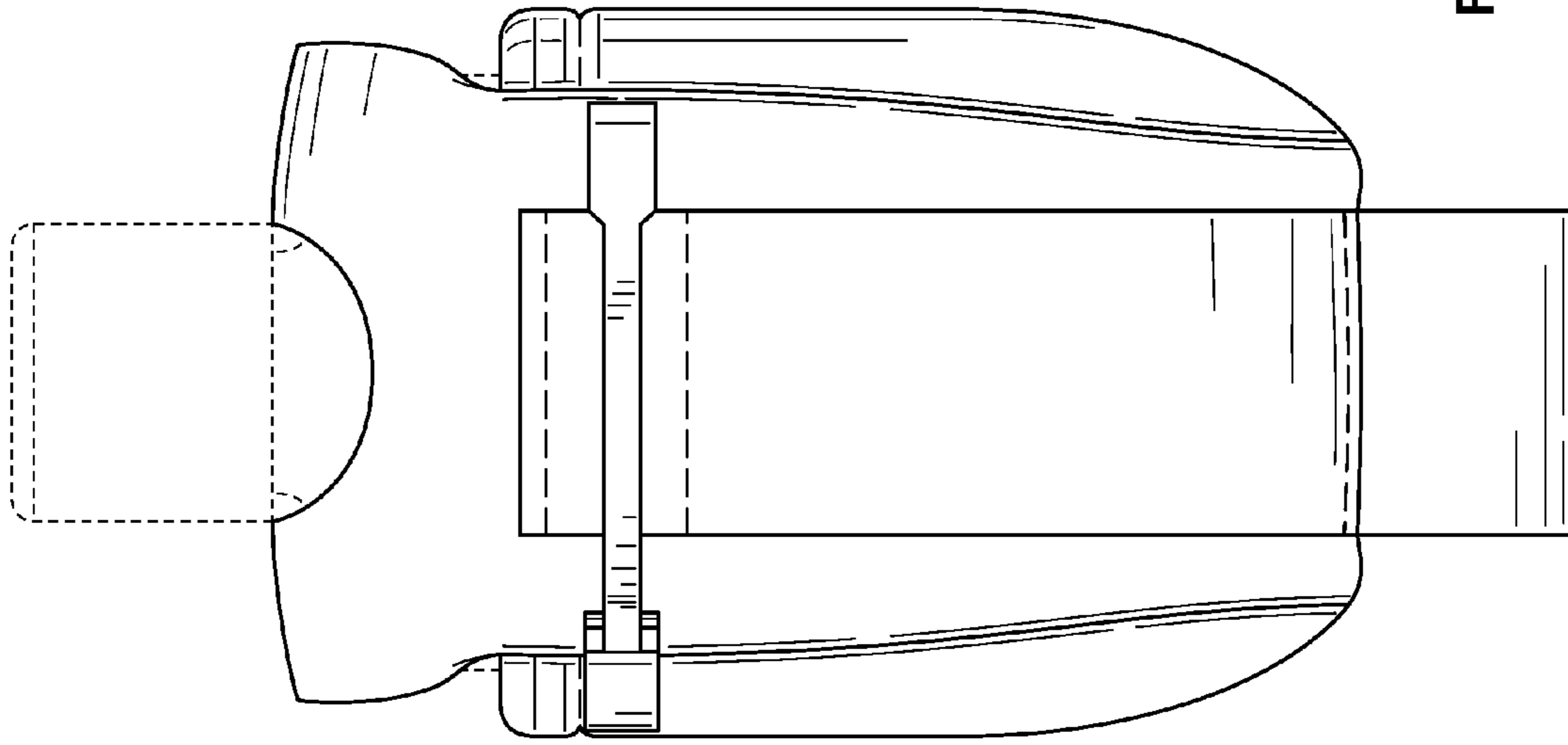


FIG. 3

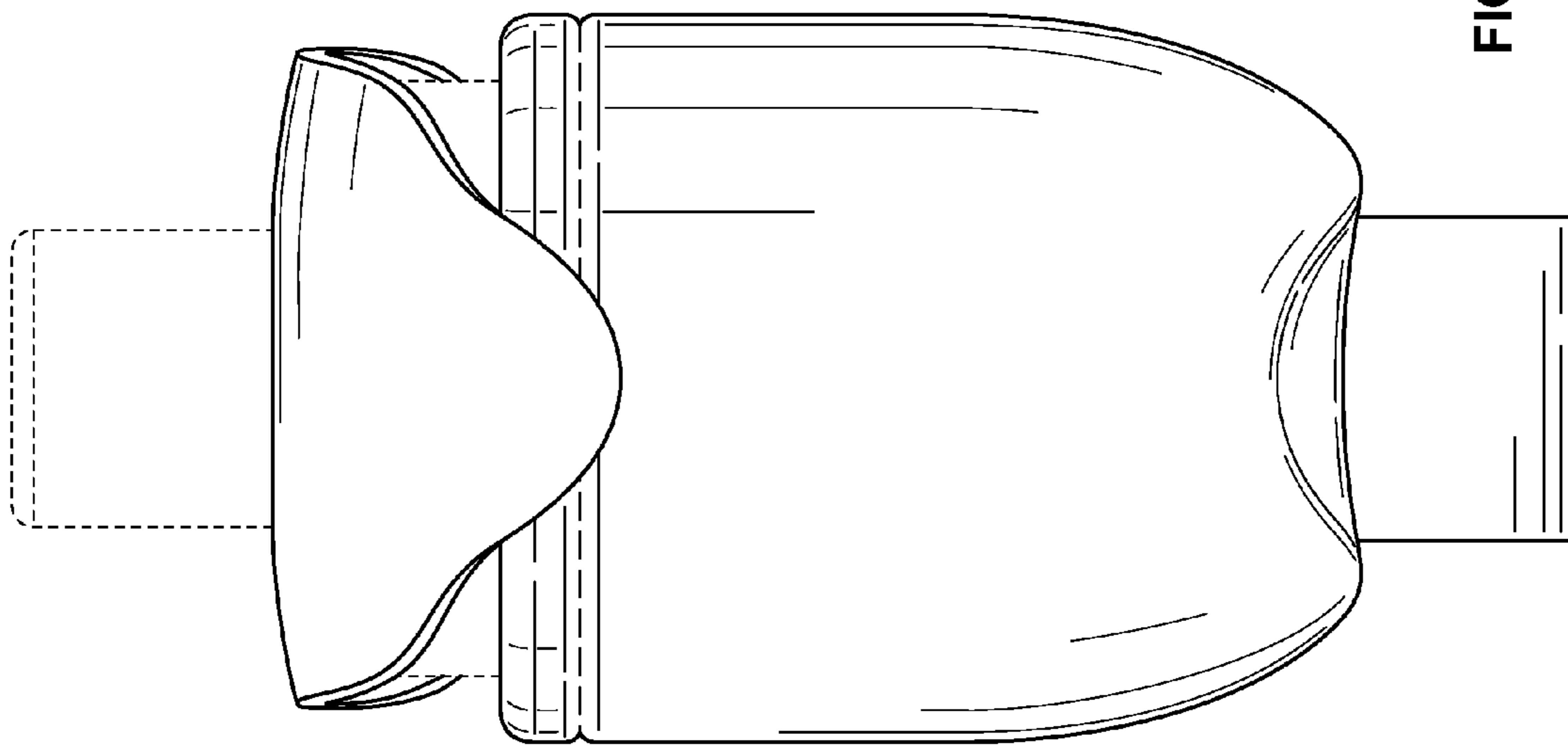


FIG. 2

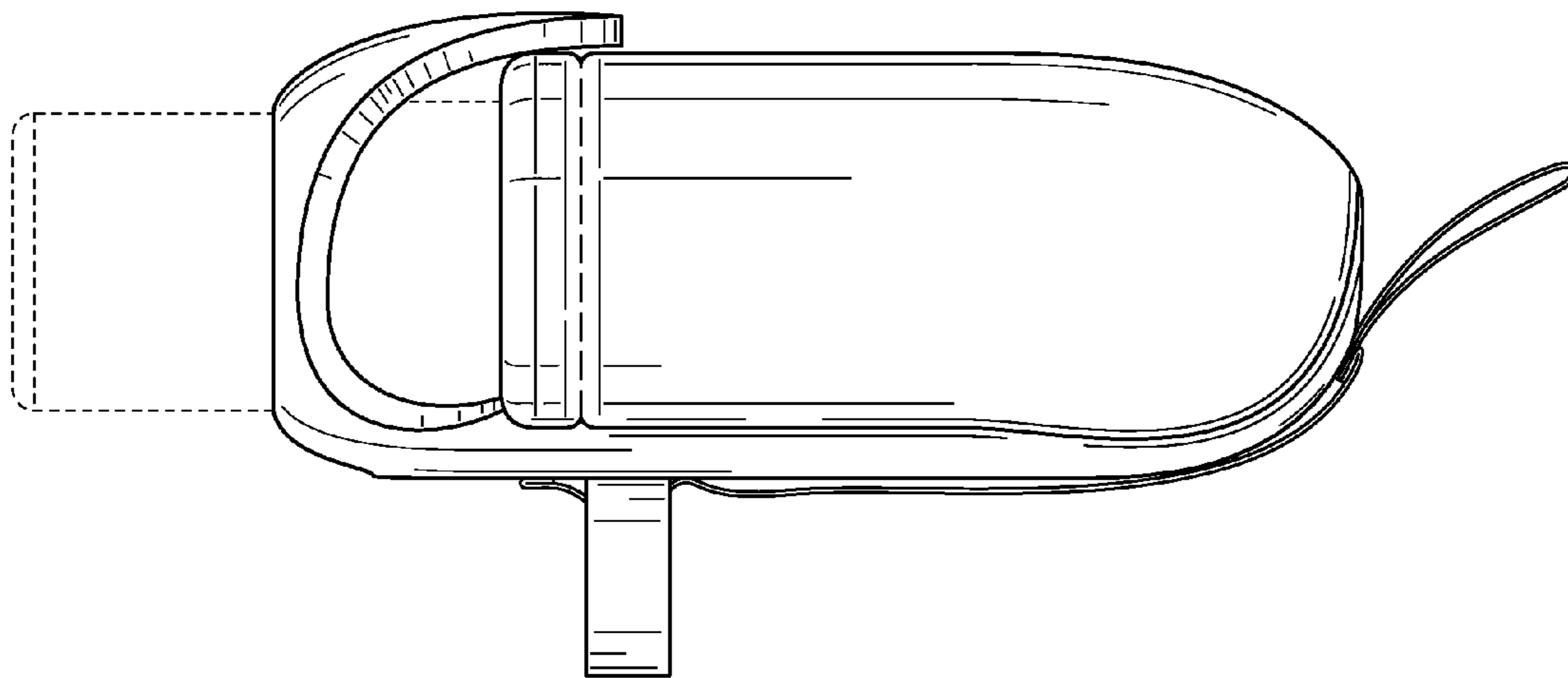


FIG. 5

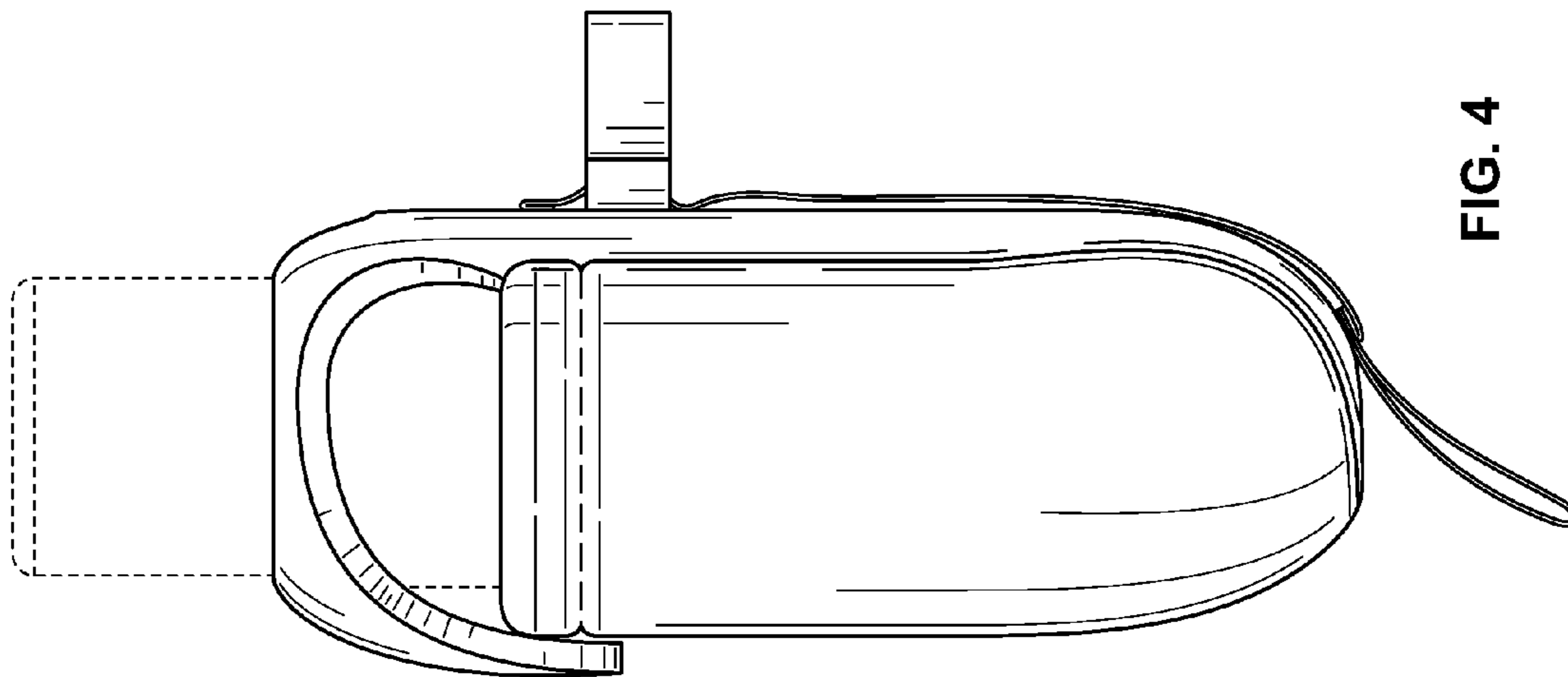


FIG. 4

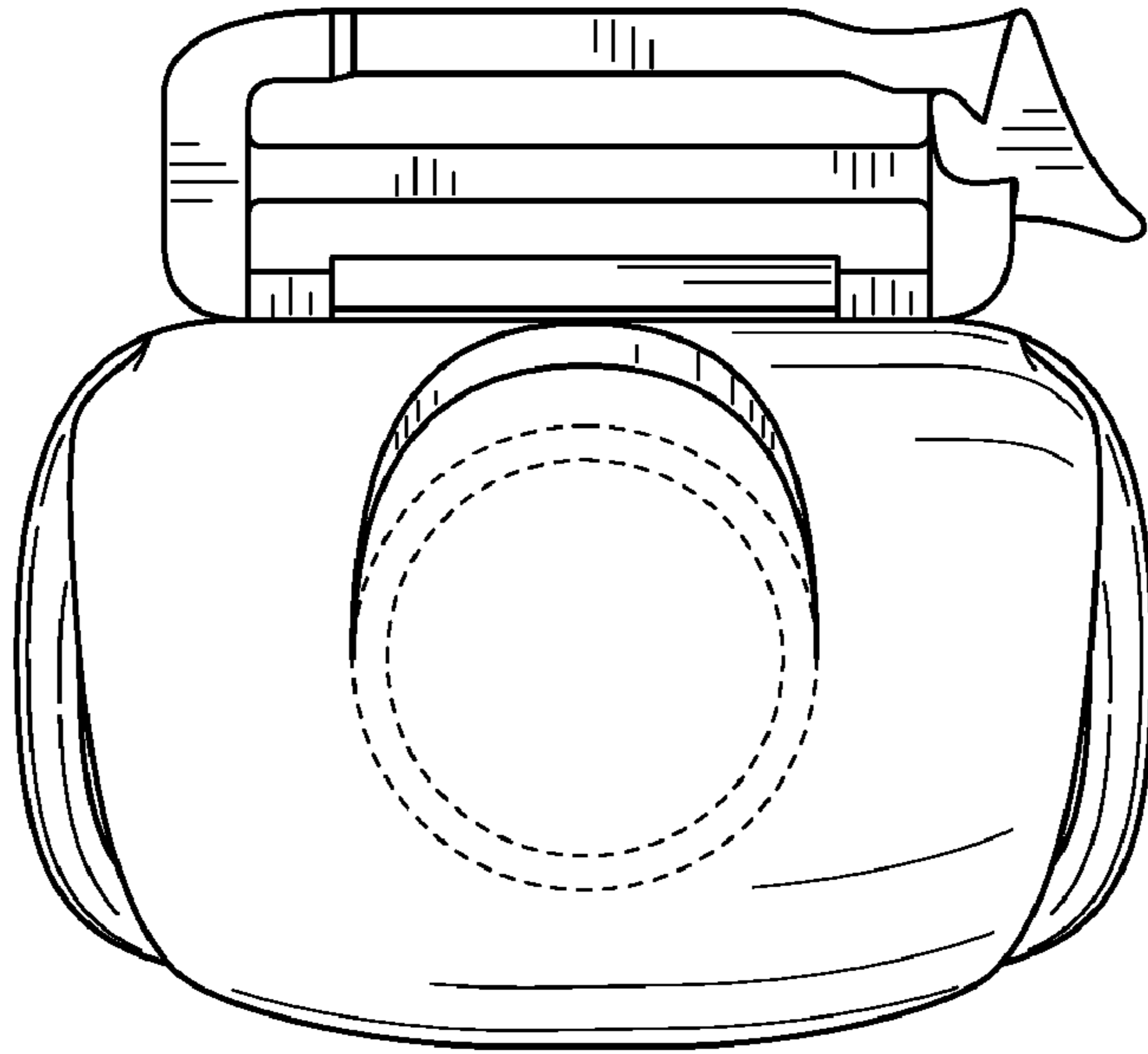


FIG. 6

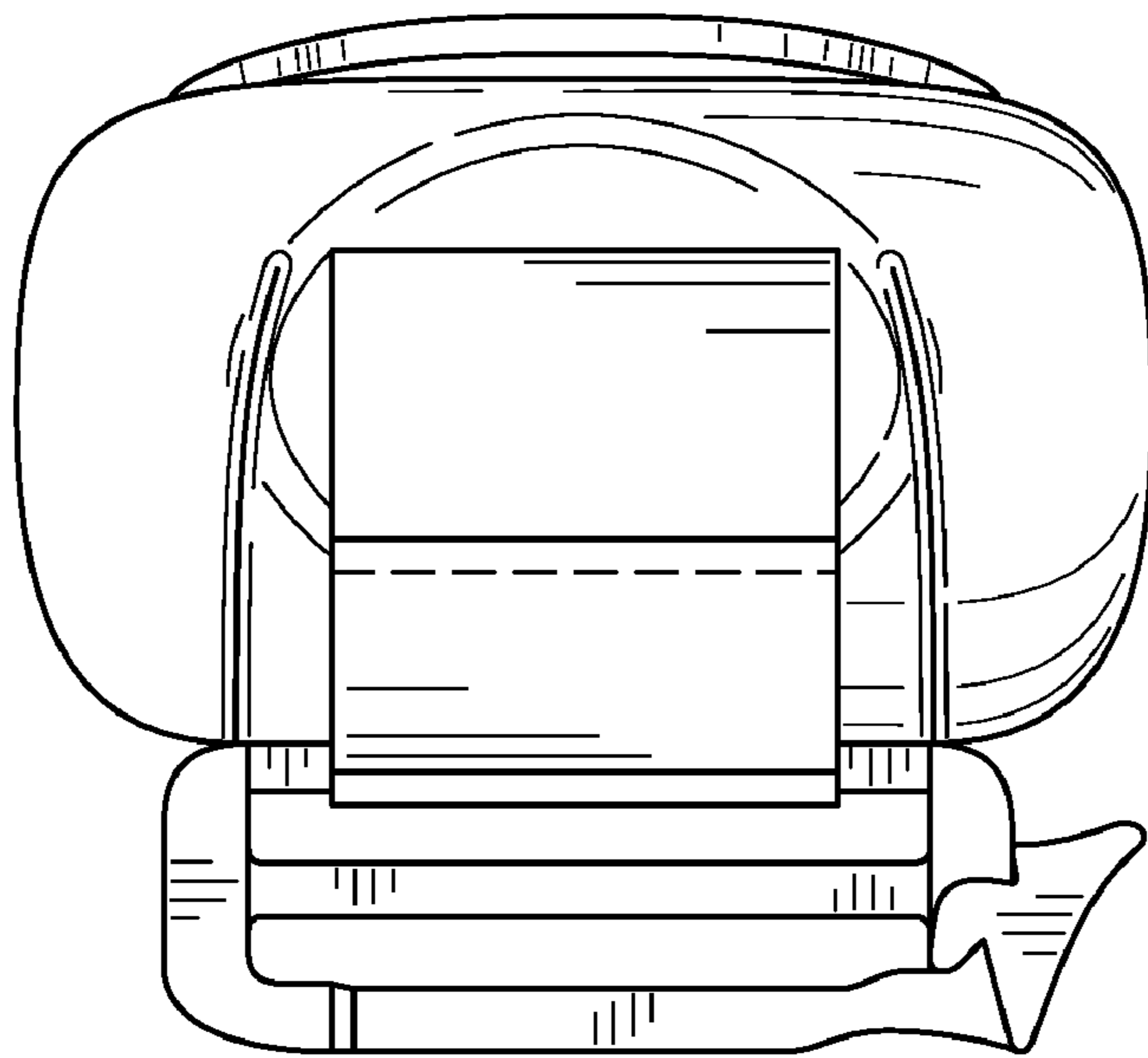


FIG. 7

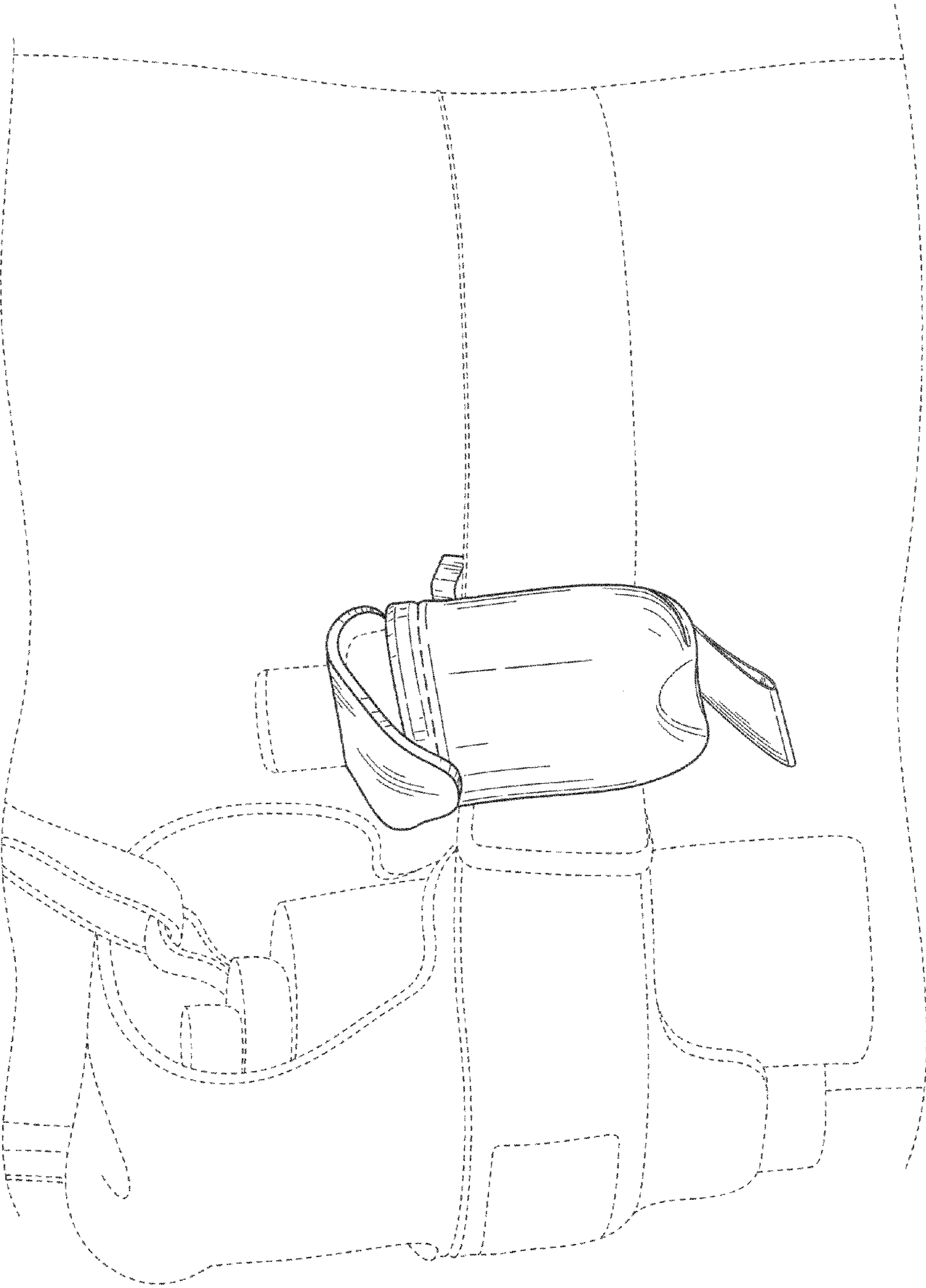


FIG. 8



FIG. 9