



US00D639035S

(12) **United States Design Patent**  
**Delavaldene et al.**

(10) **Patent No.:** **US D639,035 S**  
(45) **Date of Patent:** **\*\* Jun. 7, 2011**

(54) **SPORTS SANDAL**

(75) Inventors: **Jean Pierre Delavaldene**, Dallas, TX  
(US); **Kevin Puterbaugh**, Duncanville,  
TX (US)

(73) Assignees: **Jean Pierre Delavaldene**, Dallas, TX  
(US); **Kevin Puterbaugh**, Duncanville,  
TX (US)

(\*\*) Term: **14 Years**

(21) Appl. No.: **29/381,484**

(22) Filed: **Dec. 20, 2010**

(51) **LOC (9) Cl.** ..... **02-04**

(52) **U.S. Cl.** ..... **D2/916; D2/897**

(58) **Field of Classification Search** ..... D02/897,  
D02/898, 900, 916, 917, 946, 969, 972; 36/45,  
36/50.1, 51, 83, 88, 113, 114, 8.1, 9 R, 11.5,  
36/58.5

See application file for complete search history.

(56) **References Cited**

**U.S. PATENT DOCUMENTS**

D285,260 S *	8/1986	Keith .....	D2/898
D403,493 S *	1/1999	McKinley .....	D2/900
D412,775 S *	8/1999	Blanco .....	D2/898
D417,771 S *	12/1999	Blanco .....	D2/898
D434,551 S *	12/2000	Snyder .....	D2/969
D454,425 S *	3/2002	Boncutter .....	D2/919
D485,970 S *	2/2004	Magro .....	D2/916

D485,971 S *	2/2004	Magro .....	D2/916
D499,875 S *	12/2004	Lozano .....	D2/972
D506,053 S *	6/2005	Cook .....	D2/916
D514,778 S *	2/2006	Berg et al. ....	D2/916
D558,958 S *	1/2008	Motomura .....	D2/916
D560,331 S *	1/2008	Cohen .....	D2/897
D564,185 S *	3/2008	Cohen .....	D2/897
D564,186 S *	3/2008	Cohen .....	D2/897
D581,139 S *	11/2008	Cohen .....	D2/897
D587,435 S *	3/2009	Eagle .....	D2/897

\* cited by examiner

*Primary Examiner* — Robert M. Spear

*Assistant Examiner* — Rashida C McCoy

(74) *Attorney, Agent, or Firm* — Storm LLP; Michael Rahman

(57) **CLAIM**

The ornamental design for a sports sandal, as shown and described.

**DESCRIPTION**

FIG. 1 is a top view of a sports sandal, showing our design.

FIG. 2 is a left side view of a sports sandal of FIG. 1.

FIG. 3 is a right side view of a sports sandal of FIG. 1.

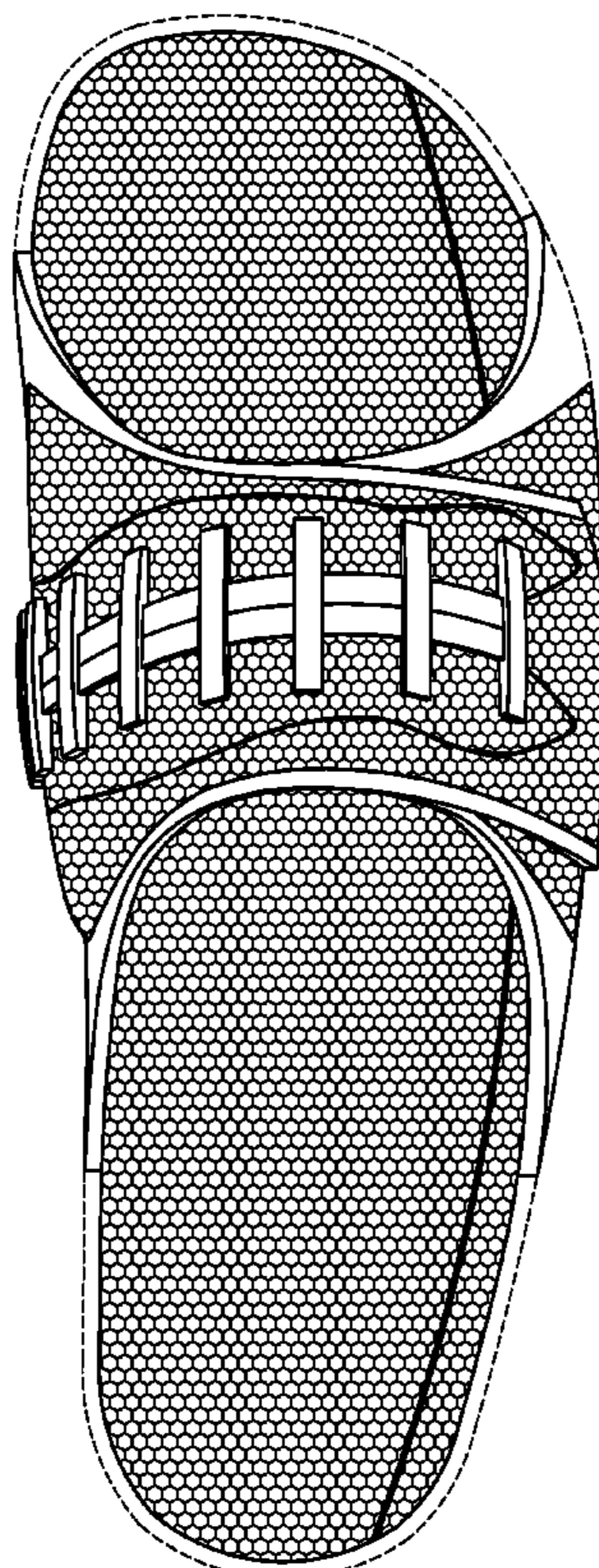
FIG. 4 is a bottom view of a sports sandal of FIG. 1.

FIG. 5 is a rear view of a sports sandal of FIG. 1; and,

FIG. 6 is a front view of a sports sandal of FIG. 1.

The broken lines showing portions of the all sports sandal are included for the purpose of illustrating environmental structure and form no part of the claimed design.

**1 Claim, 4 Drawing Sheets**



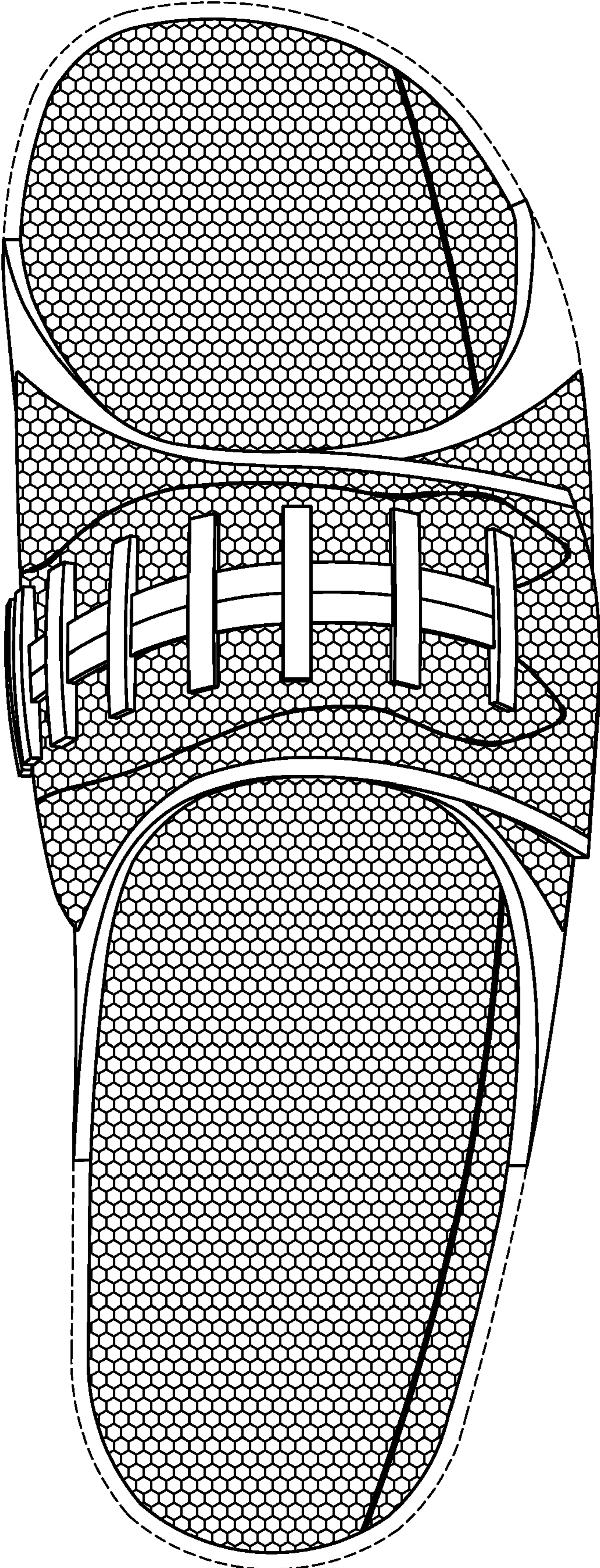


Fig. 1

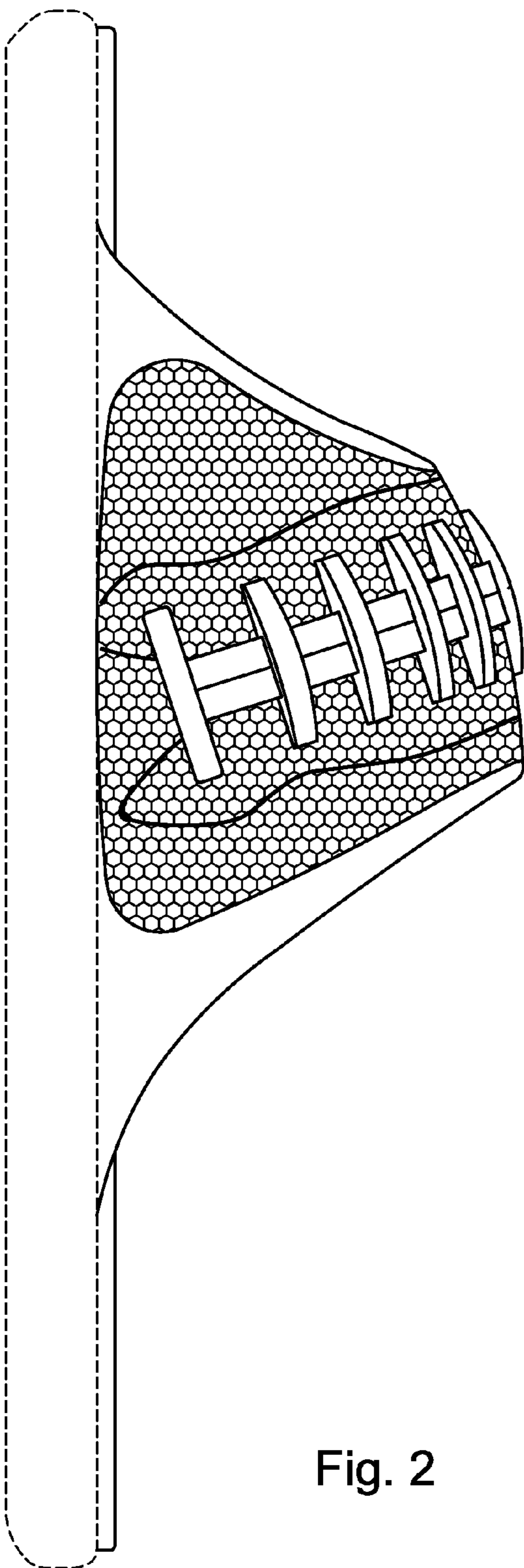


Fig. 2

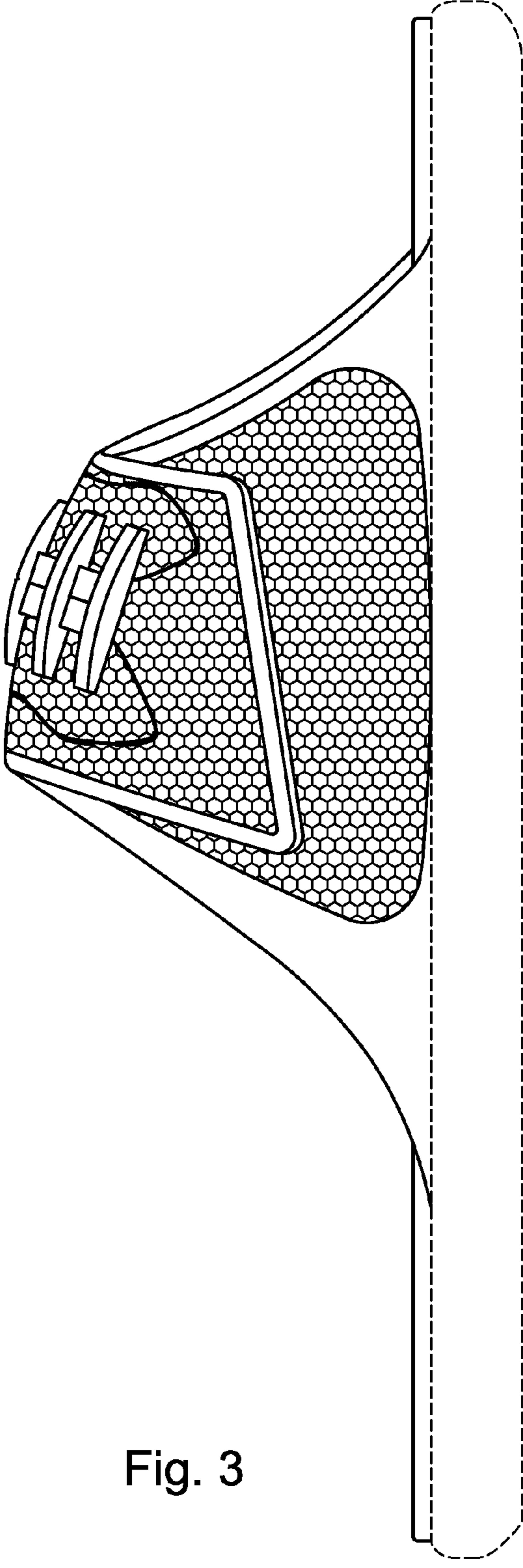


Fig. 3

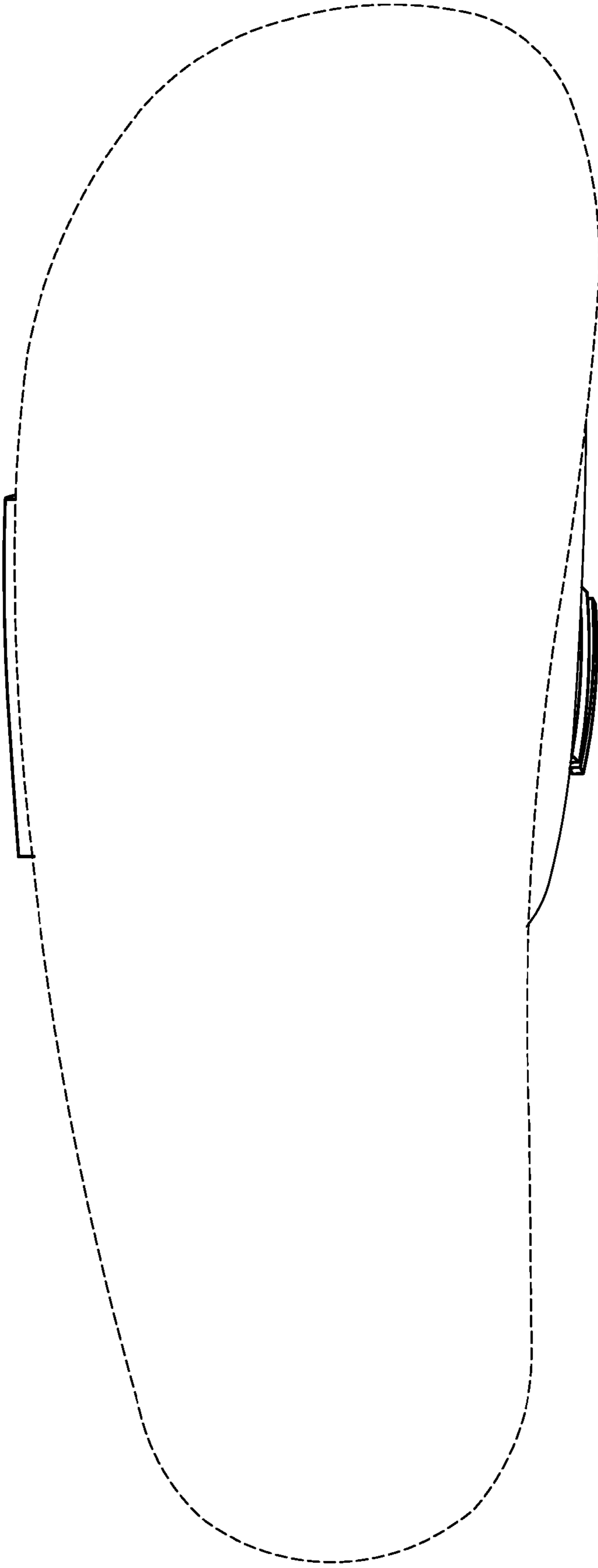


Fig. 4

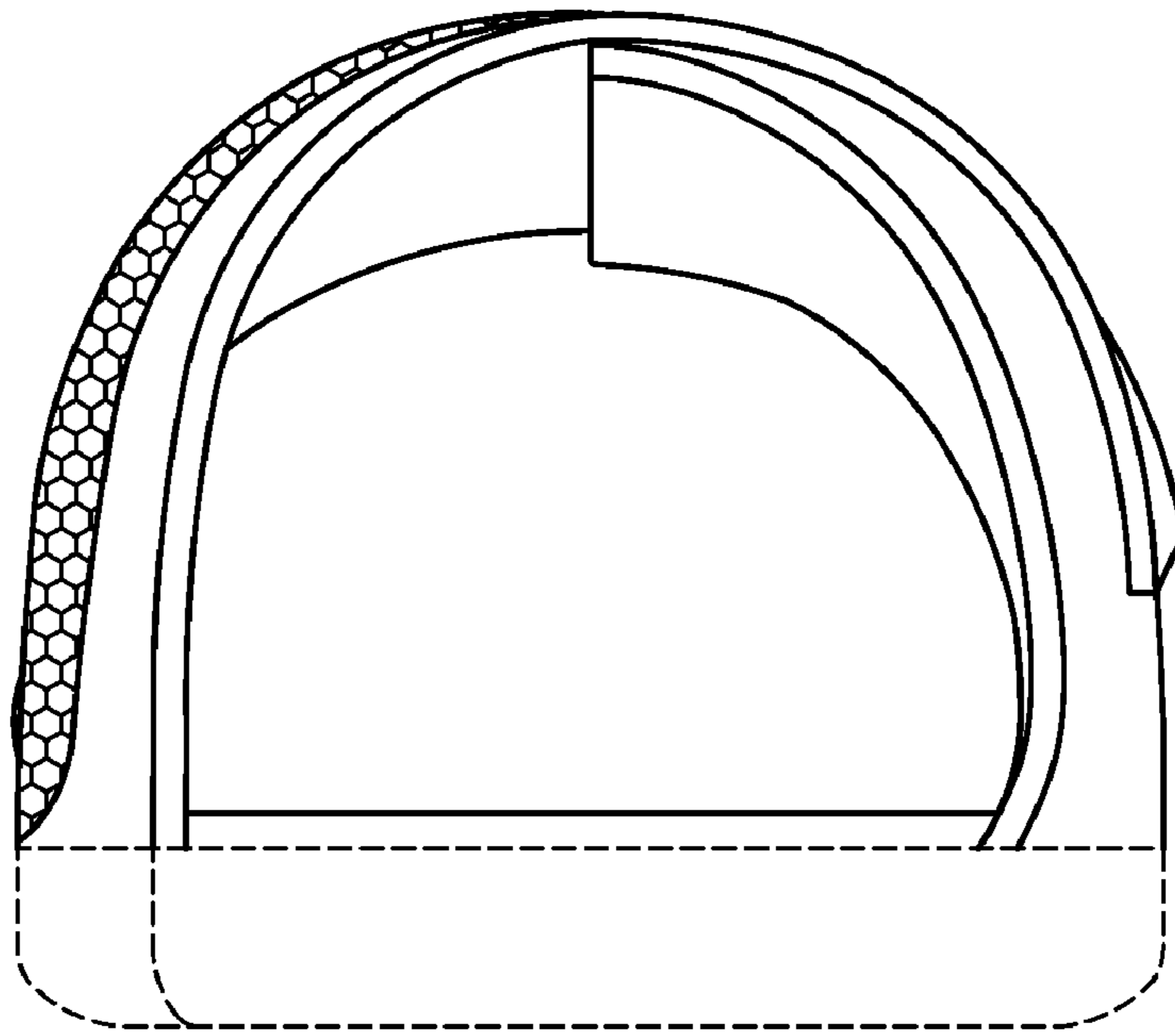


Fig. 5

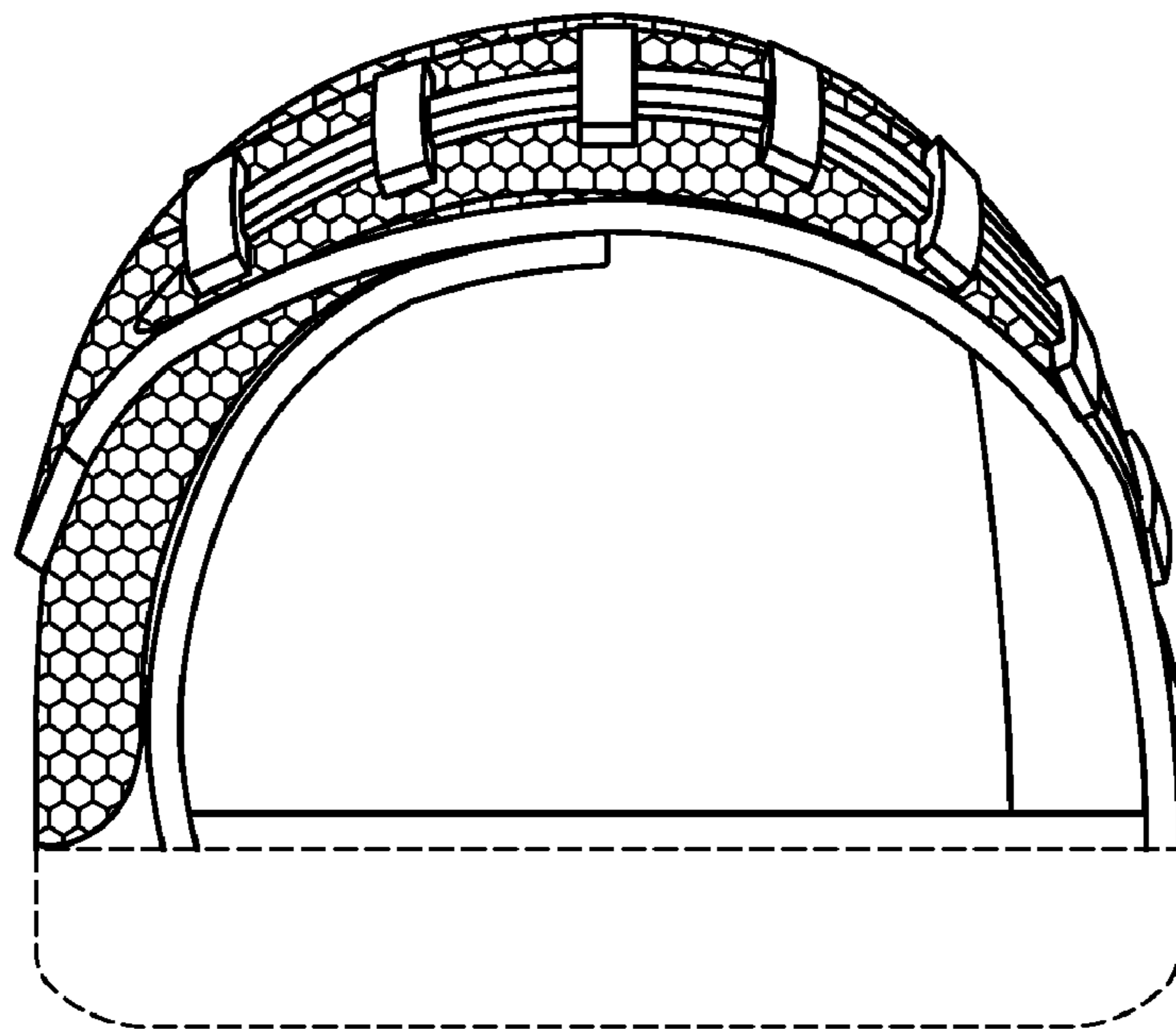


Fig. 6