



US00D639026S

(12) **United States Design Patent**
Robinson

(10) **Patent No.:** **US D639,026 S**

(45) **Date of Patent:** **** *Jun. 7, 2011**

(54) **POCKET**

(76) **Inventor:** **Steven J. Robinson**, Woodbury, NY
(US)

(**) **Term:** **14 Years**

(21) **Appl. No.:** **29/305,714**

(22) **Filed:** **Mar. 26, 2008**

(51) **LOC (9) Cl.** **02-02**

(52) **U.S. Cl.** **D2/857**

(58) **Field of Classification Search** D2/742,
D2/840, 844, 853, 857, 863, 864; 2/247-253
See application file for complete search history.

(56) **References Cited**

U.S. PATENT DOCUMENTS

2,501,338	A	3/1950	Kass	
2,967,307	A	1/1961	O'Donnell	
D221,327	S	8/1971	Watts	
4,561,348	A	12/1985	Halters	
4,613,991	A	9/1986	Grover	
4,993,844	A	2/1991	Robinson	
5,072,456	A	12/1991	Elin	
5,509,147	A	4/1996	Busquets	
5,678,250	A	10/1997	Nolan	
D396,135	S	7/1998	Wardle	
D405,237	S	2/1999	Maslowski	
5,884,338	A	3/1999	Golde	
6,421,839	B1	7/2002	Vo	
RE38,497	E *	4/2004	Falk et al.	2/94
6,760,922	B1 *	7/2004	Morales	2/94
6,978,484	B2 *	12/2005	Donlan et al.	2/227
6,986,164	B1 *	1/2006	Morales	2/94
D536,157	S *	2/2007	Kimmel	D2/742
D542,009	S	5/2007	Wardle	
D543,009	S	5/2007	Helbing	
D543,337	S	5/2007	Wardle	
D545,529	S	7/2007	Helbing	

D572,434	S *	7/2008	Yeates et al.	D2/742
2002/0138893	A1 *	10/2002	Culhane	2/79
2005/0017034	A1 *	1/2005	Ausanio	224/230

FOREIGN PATENT DOCUMENTS

WO WO 9739644 A1 * 10/1997

* cited by examiner

Primary Examiner — Ian Simmons

Assistant Examiner — Rashida Johnson

(74) *Attorney, Agent, or Firm* — Dickinson Wright PLLC

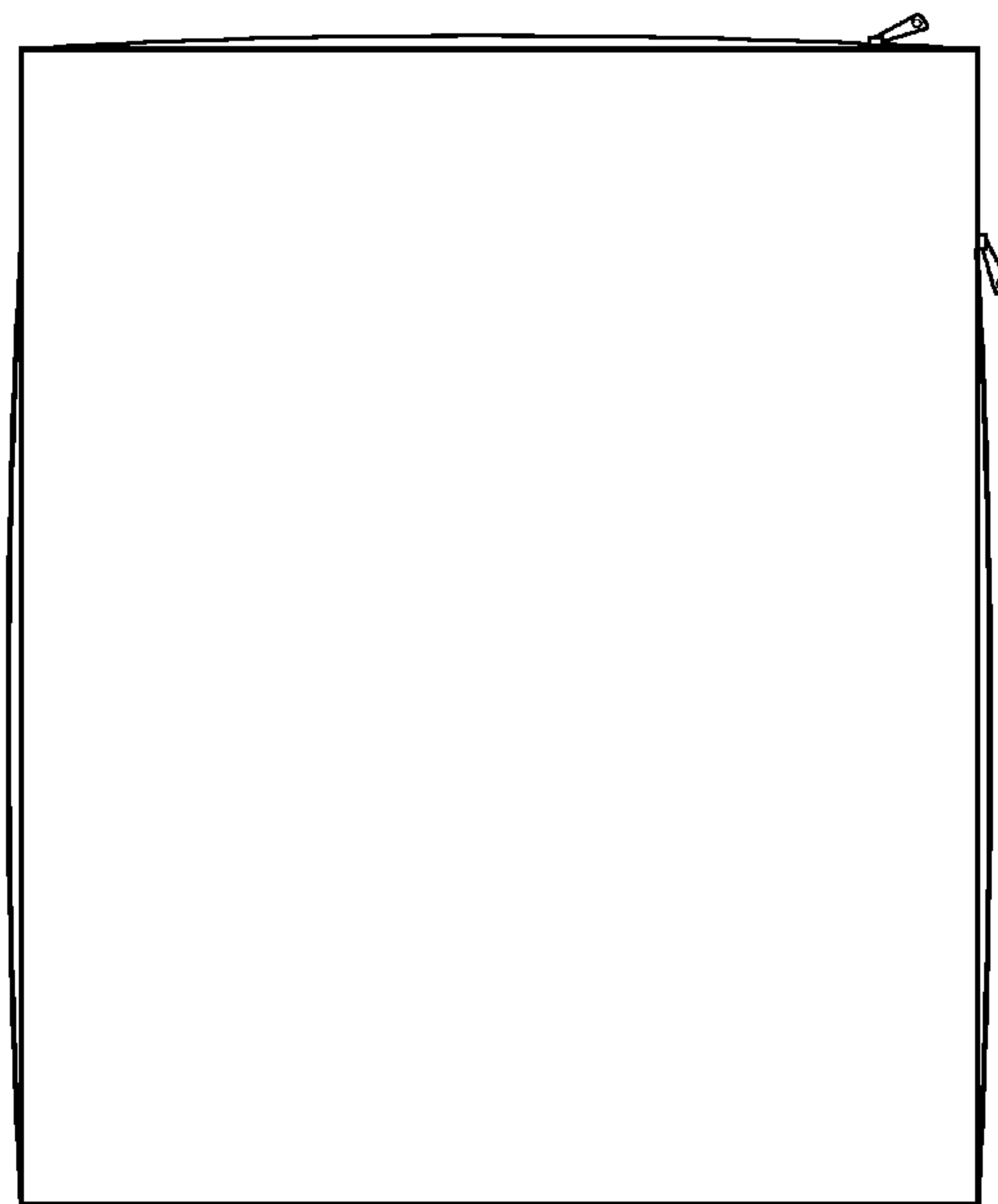
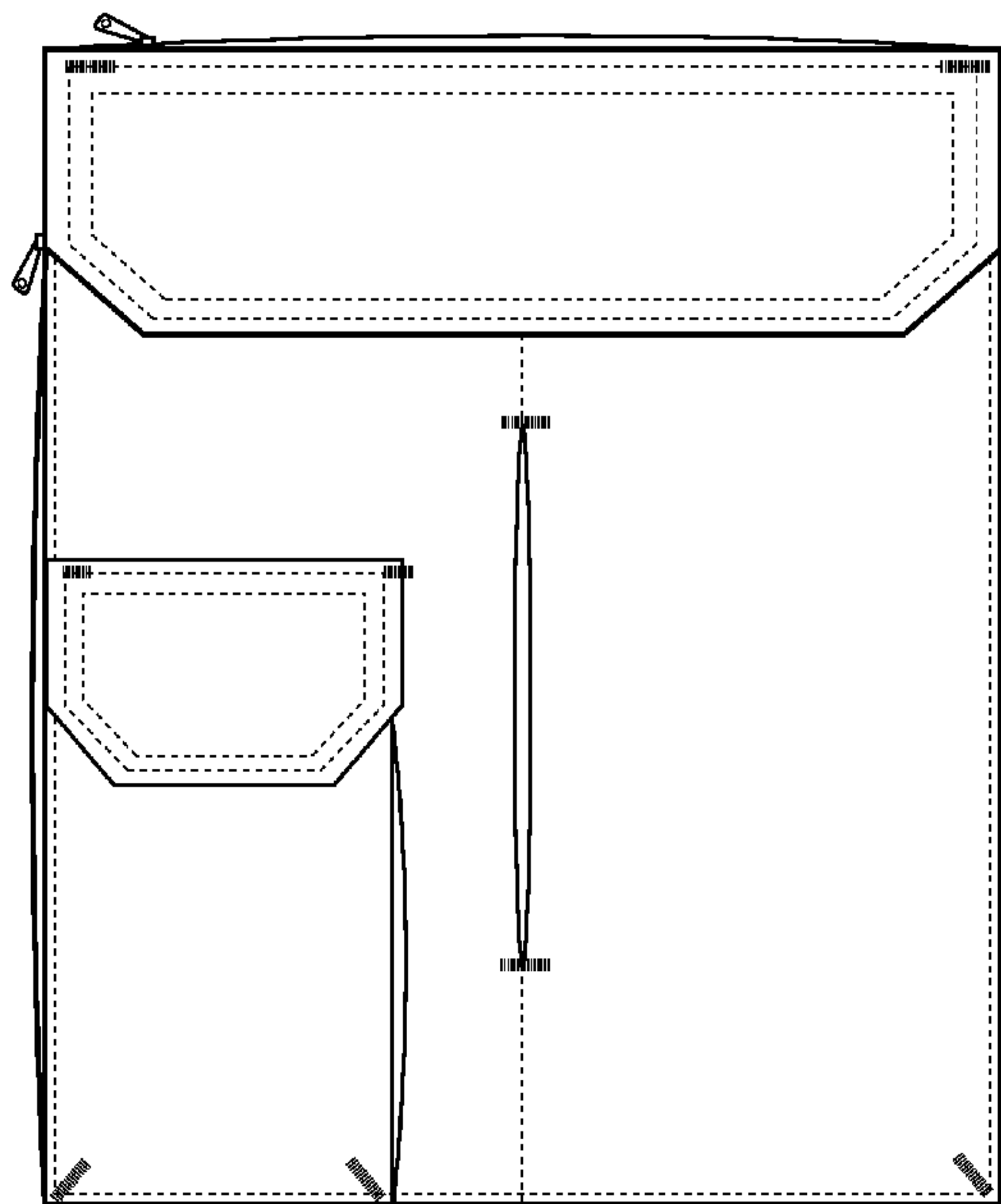
(57) **CLAIM**

I claim the ornamental design for a pocket, substantially as shown and described.

DESCRIPTION

FIG. 1 is a front view of a pocket showing my new design.
 FIG. 2 is a rear view thereof.
 FIG. 3 is a left side view thereof.
 FIG. 4 is a right side view thereof.
 FIG. 5 is a top view thereof.
 FIG. 6 is a bottom plan view thereof;
 FIG. 7 is a front view thereof showing an open upper flap with loop and hook fastening means.
 FIG. 8 is a front view thereof, showing an open zipper to a side chamber;
 FIG. 9 is a front view thereof showing an open zipper to a side chamber.
 FIG. 10 is a front view thereof showing an open zipper to the side chamber an attached to a pant leg; and,
 FIG. 11 is another front view thereof, showing the pocket attached to a pant leg.
 The broken lines, shown throughout the views in FIGS. 1-11, on the surface of the pockets represent stitching. The remaining broken lines, showing portions of the human form, pants and shirt, show the design in use and form no part of the claim.

1 Claim, 8 Drawing Sheets



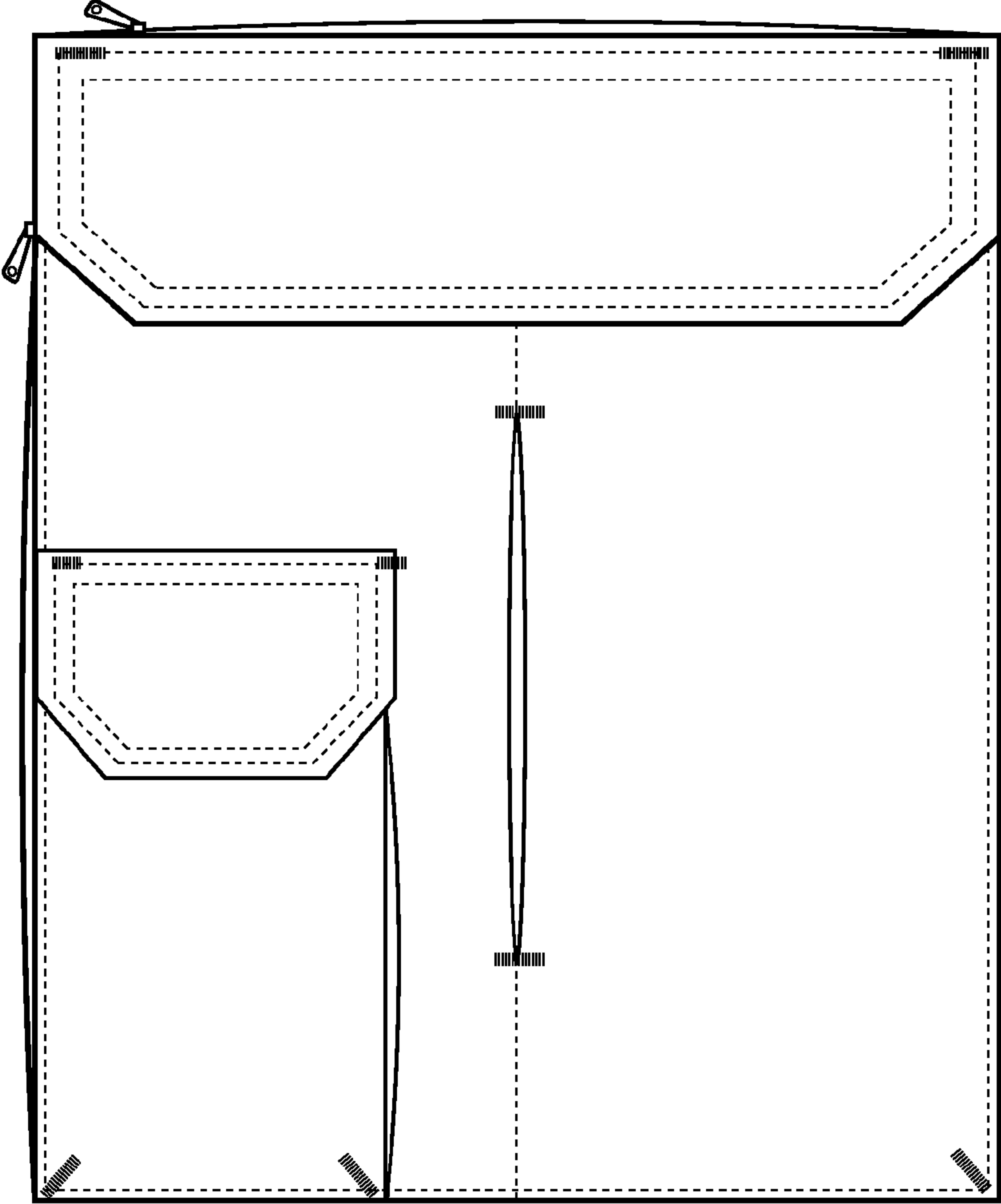


FIG. 1

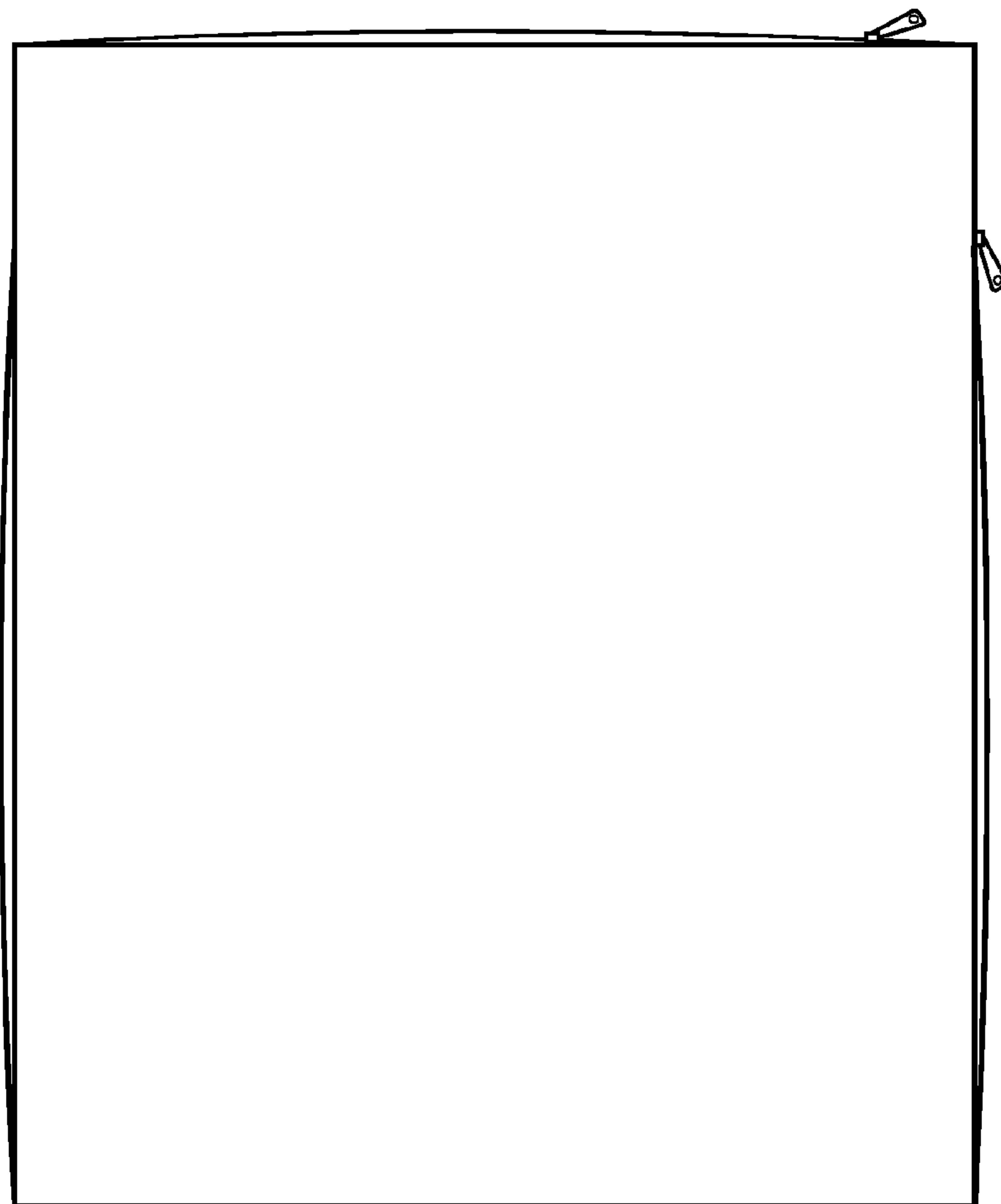


FIG. 2

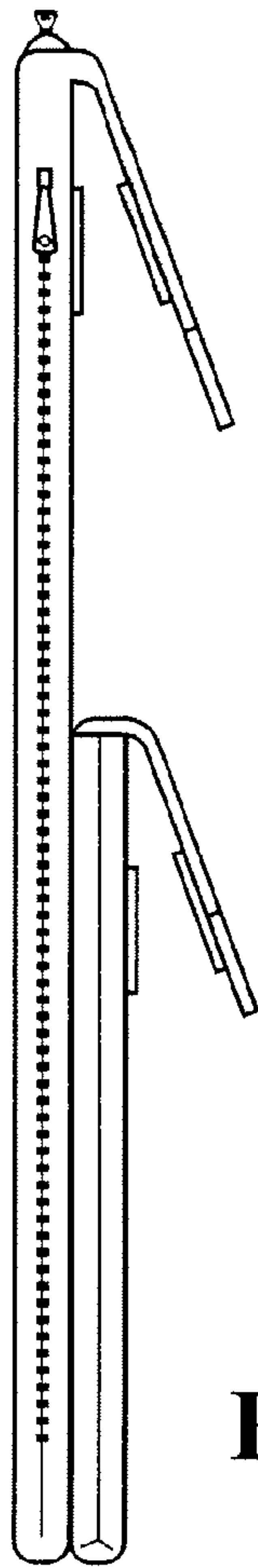


FIG. 3

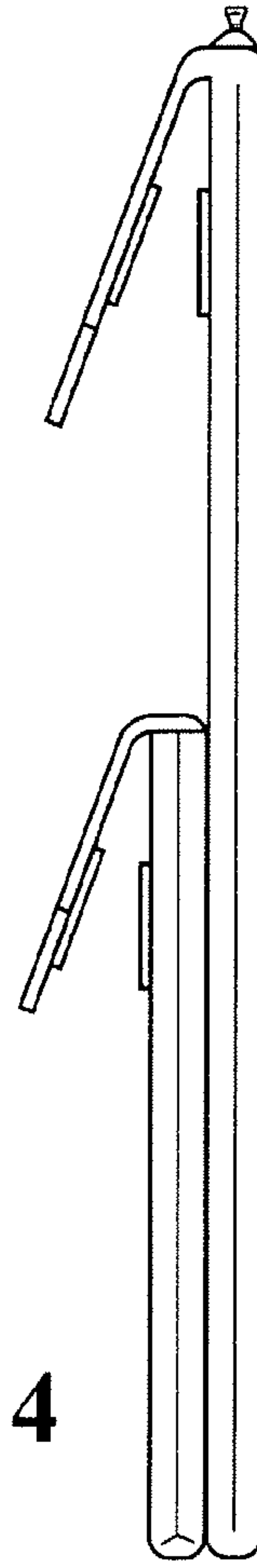


FIG. 4

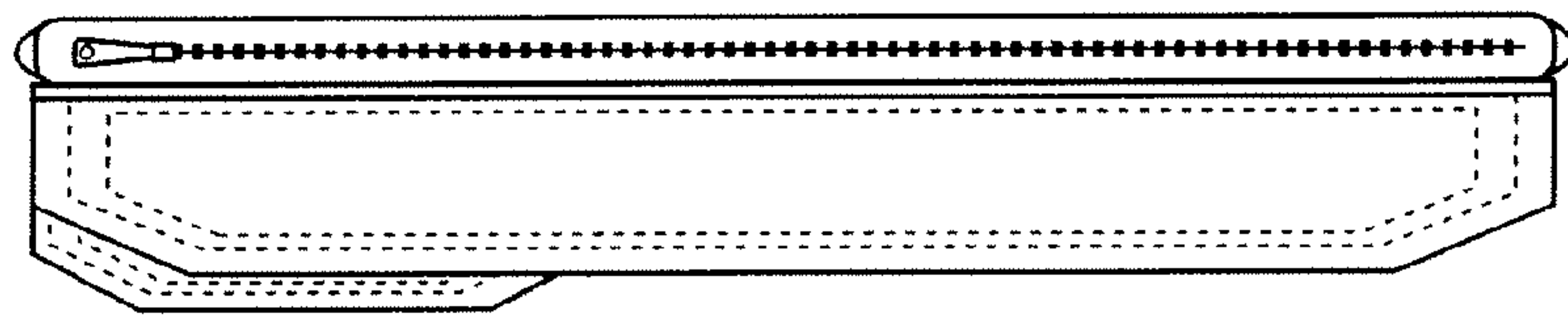


FIG. 5

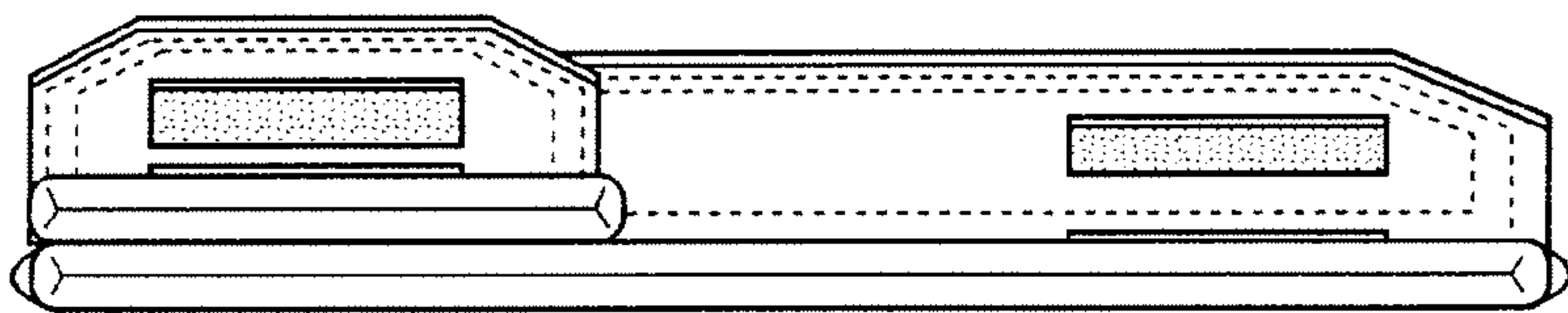


FIG. 6

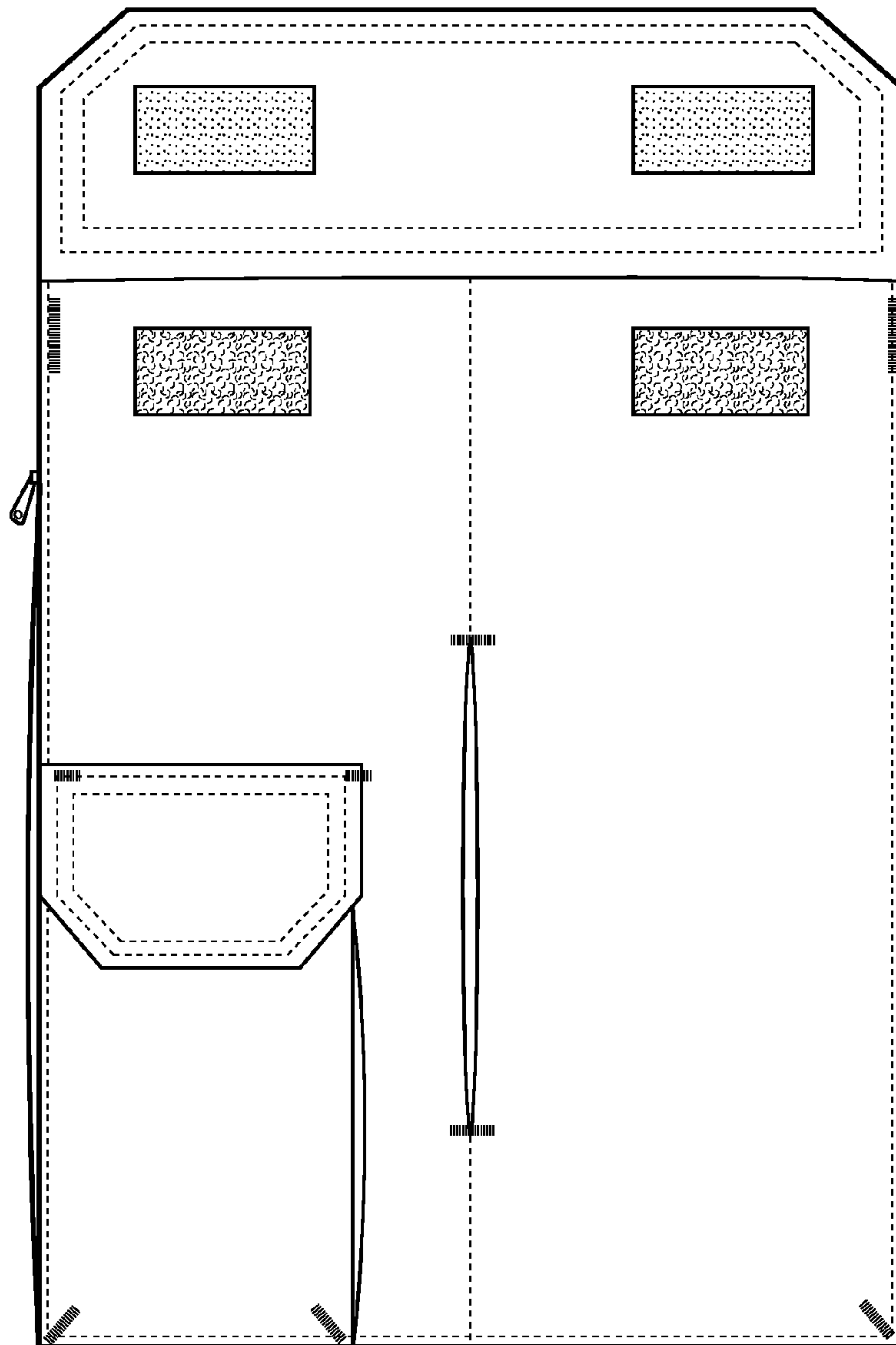


FIG. 7

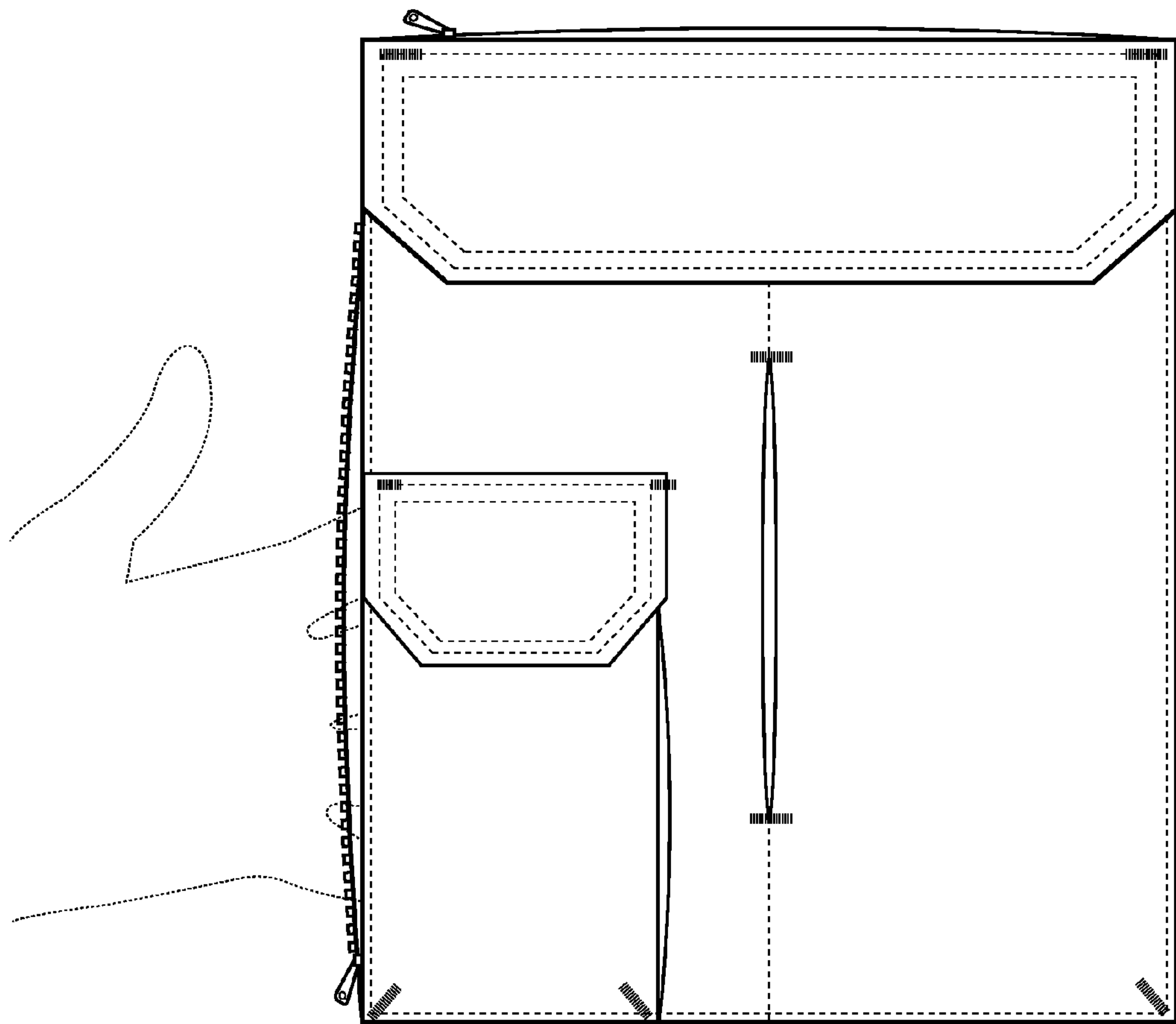


FIG. 8

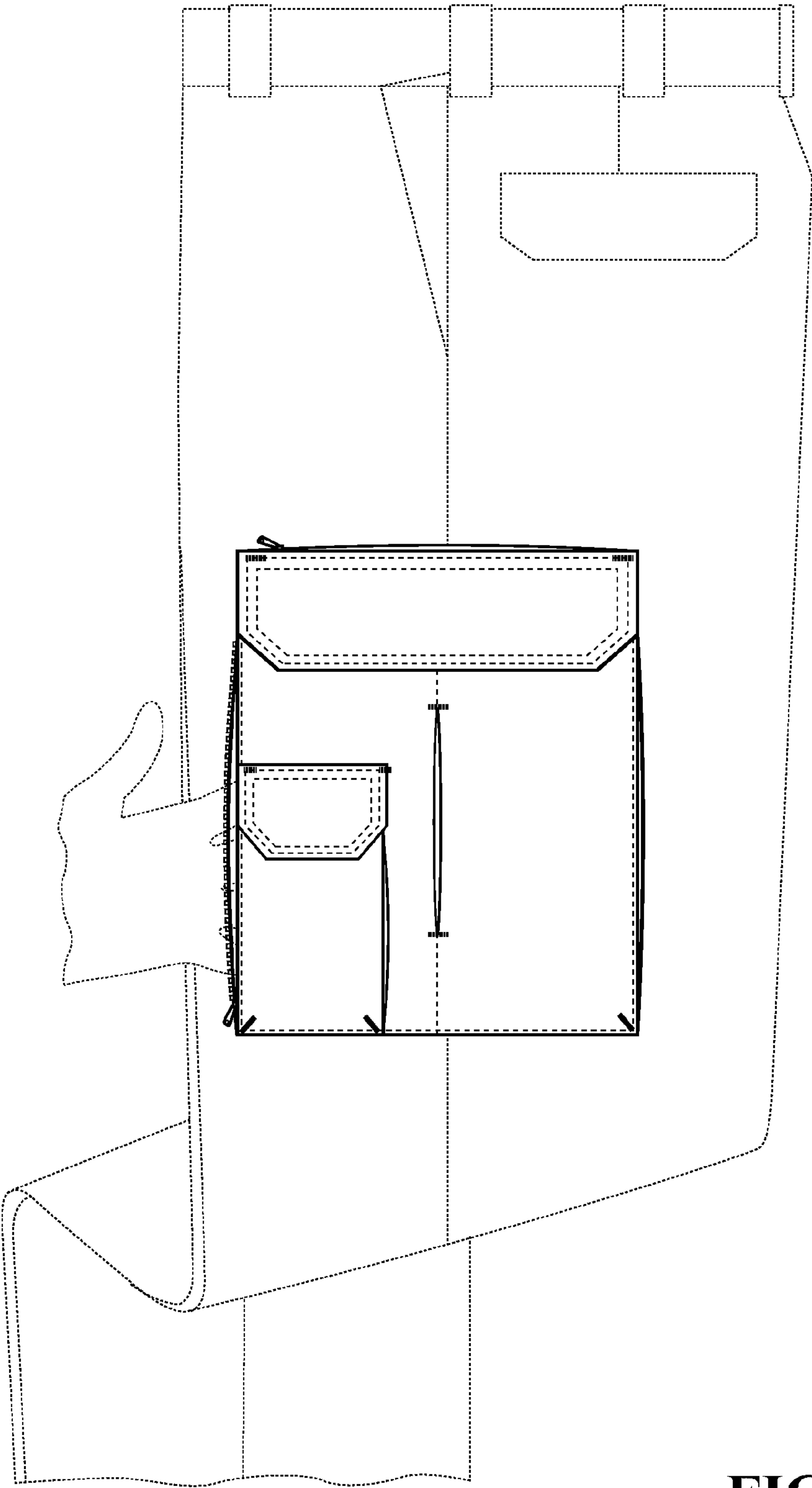


FIG. 9

FIG. 10

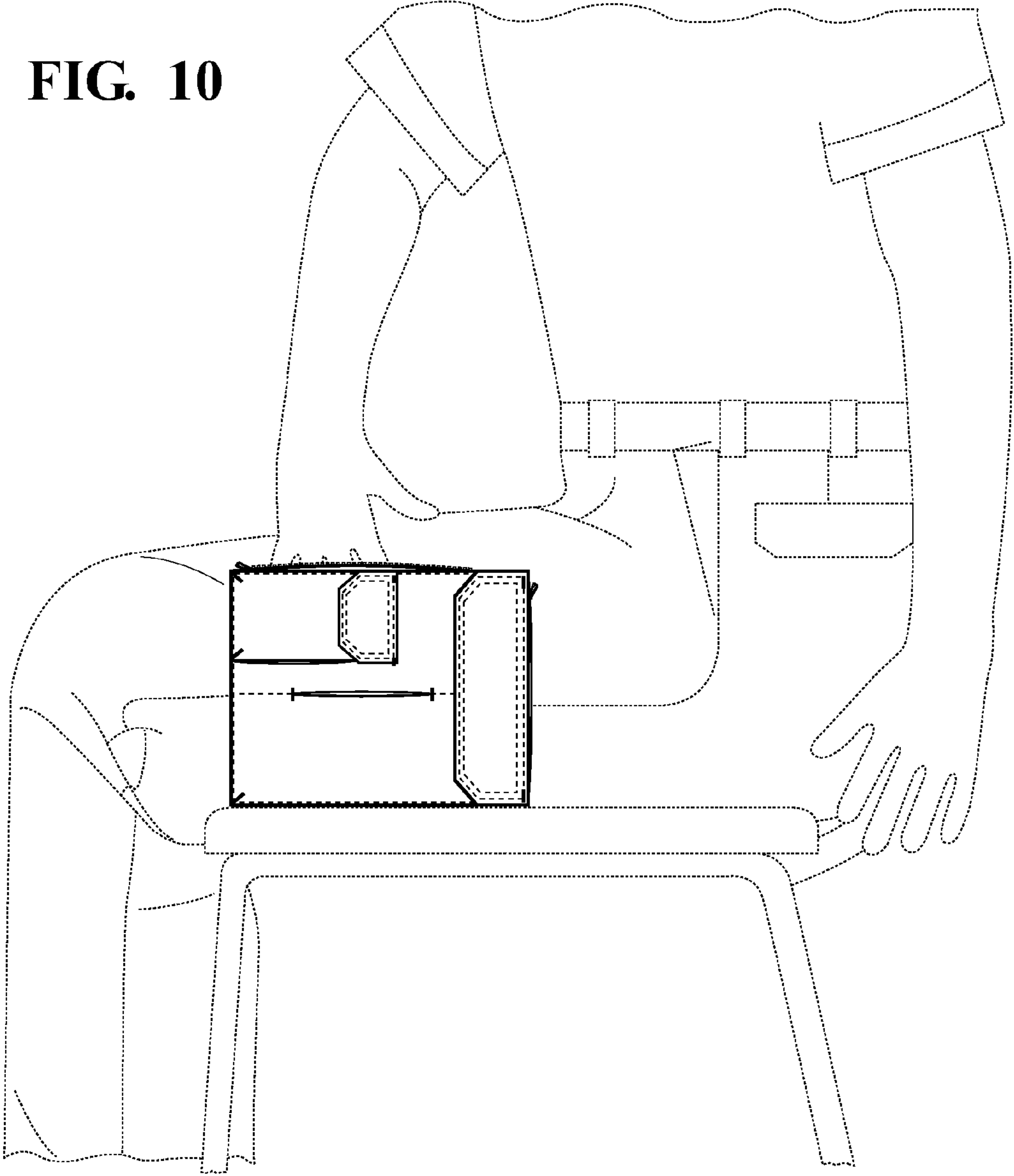


FIG. 11

