

US00D639012S

(12) **United States Design Patent**  
**Ahrenholtz**

(10) **Patent No.:** **US D639,012 S**

(45) **Date of Patent:** **\*\* May 31, 2011**

(54) **HYDRAULIC JACK PULL-PIN CASTING**

(75) **Inventor:** **Ted E. Ahrenholtz**, Minnetonka, MN  
(US)

(73) **Assignee:** **Bluerock Technologies, Inc.**

(\*\*) **Term:** **14 Years**

(21) **Appl. No.:** **29/366,083**

(22) **Filed:** **Jul. 19, 2010**

(51) **LOC (9) Cl.** ..... **12-05**

(52) **U.S. Cl.** ..... **D34/31; D34/35**

(58) **Field of Classification Search** ..... D34/31,  
D34/35, 28; 254/2 R, 8 R, 11, 84, 93 H,  
254/93 R; 248/354.5

See application file for complete search history.

5,282,605	A	2/1994	Sauber	
D348,966	S *	7/1994	Guyton	D34/31
5,458,315	A *	10/1995	Blatz et al.	254/88
D374,210	S	10/1996	Razin	
D388,925	S	1/1998	Hulegaard et al.	
5,816,554	A *	10/1998	McCracken	248/346.01
6,042,074	A *	3/2000	Cusimano	248/354.1
6,086,099	A *	7/2000	Kingsbury	280/766.1
6,099,016	A *	8/2000	Peveler	280/475
D440,022	S *	4/2001	Simpson et al.	D34/31
D447,309	S *	8/2001	Wilson	D34/31
6,302,381	B1	10/2001	Roll	
6,305,667	B1	10/2001	Heller	
D467,699	S	12/2002	King	
D537,604	S *	2/2007	Redman	D34/31
D602,672	S	10/2009	Stillwell	

\* cited by examiner

*Primary Examiner* — Cynthia E Ramirez

(74) *Attorney, Agent, or Firm* — Schroeder & Siegfried, P.A.

(56) **References Cited**

**U.S. PATENT DOCUMENTS**

D95,744	S *	5/1935	Hein	D34/31
D96,568	S *	8/1935	Werner	D34/31
D128,108	S *	7/1941	Dalton	D34/31
3,064,994	A *	11/1962	Limmer	280/6.15
3,093,362	A *	6/1963	Schaefer	254/424
3,273,858	A	9/1966	Coburn	
3,330,602	A	7/1967	Riley et al.	
3,341,179	A	9/1967	Smith	
3,817,493	A	6/1974	Hanser	
3,860,216	A *	1/1975	Brown	254/423
3,863,894	A *	2/1975	Mansi et al.	254/420
D237,482	S *	11/1975	Mels	D15/199
4,150,813	A *	4/1979	Mena	254/423
4,165,861	A *	8/1979	Hanser	254/423
D278,753	S *	5/1985	Honour, VII	D34/31
D281,199	S	10/1985	Prawl	
D291,017	S	7/1987	Magness	
D304,575	S *	11/1989	Batzel	D34/31
5,011,119	A	4/1991	Harrington	
D343,491	S *	1/1994	Cusimano	D34/31

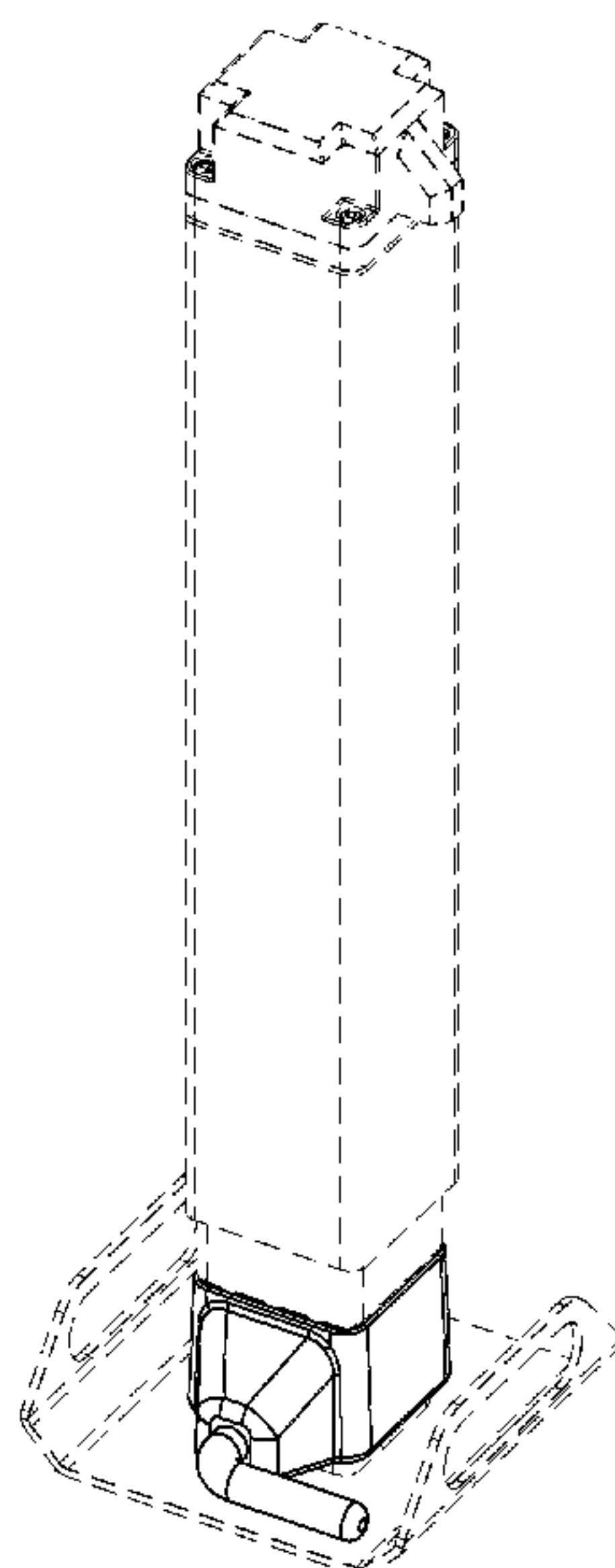
(57) **CLAIM**

I claim the ornamental design for a hydraulic jack pull-pin casting, as shown and described.

**DESCRIPTION**

FIG. 1 is a perspective view of a hydraulic jack pull-pin casting showing my new design;  
 FIG. 2 is a close-up perspective view of the hydraulic jack pull-pin casting shown in FIG. 1;  
 FIG. 3 is a front elevational view thereof;  
 FIG. 4 is a left side elevational view thereof;  
 FIG. 5 is a right side elevational view thereof;  
 FIG. 6 is a rear elevational view thereof;  
 FIG. 7 is a top plan view thereof; and,  
 FIG. 8 is a bottom plan view thereof.  
 The broken lines represent environmental structure and form no part of the claimed design.

**1 Claim, 8 Drawing Sheets**



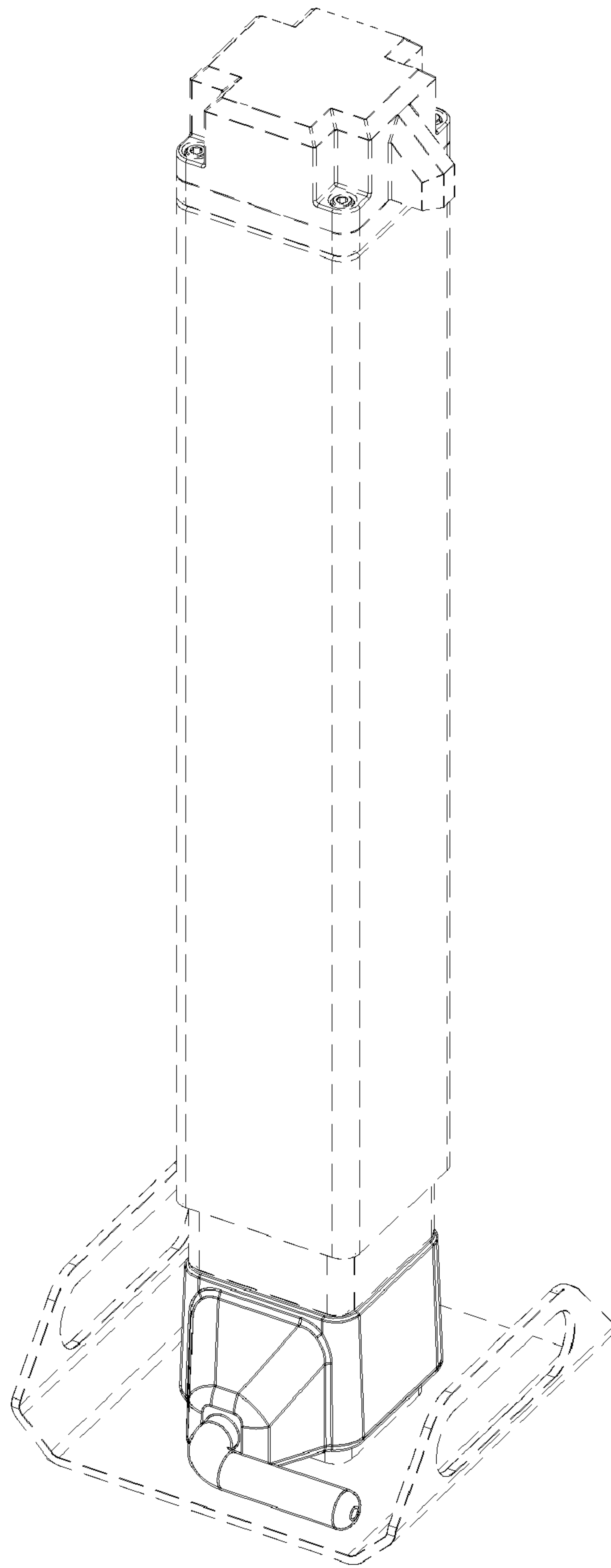


FIG. 1

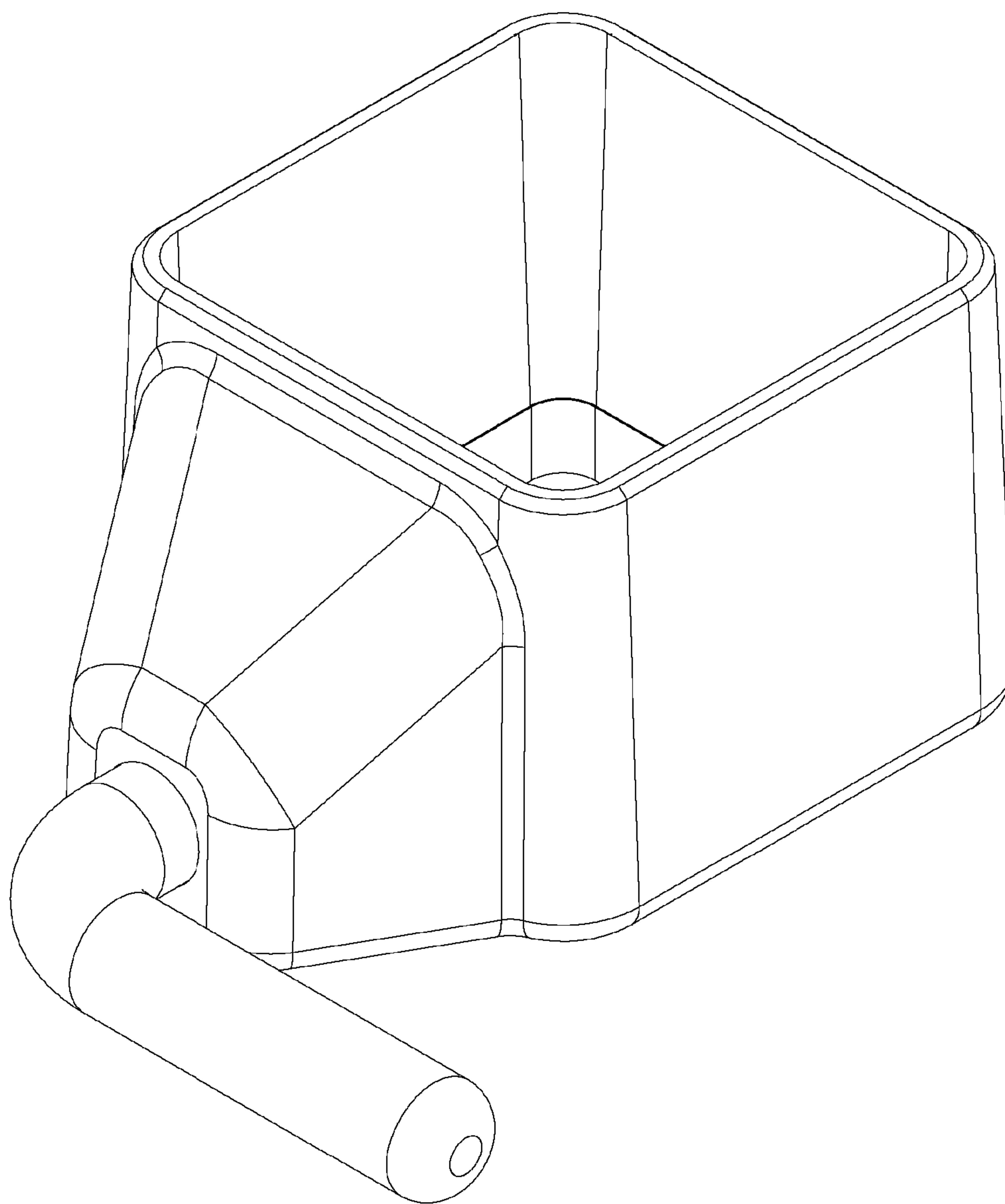


FIG. 2

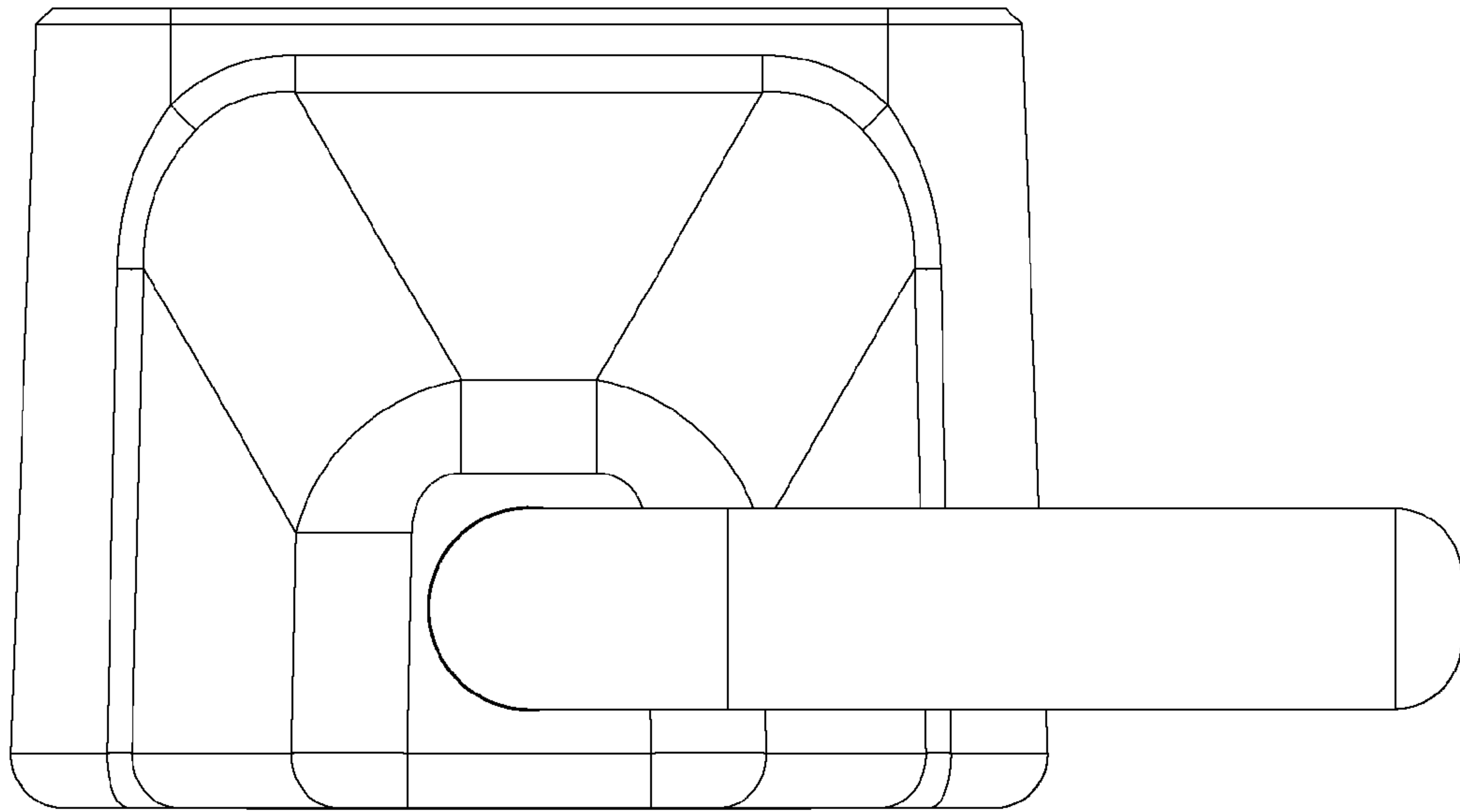


FIG. 3

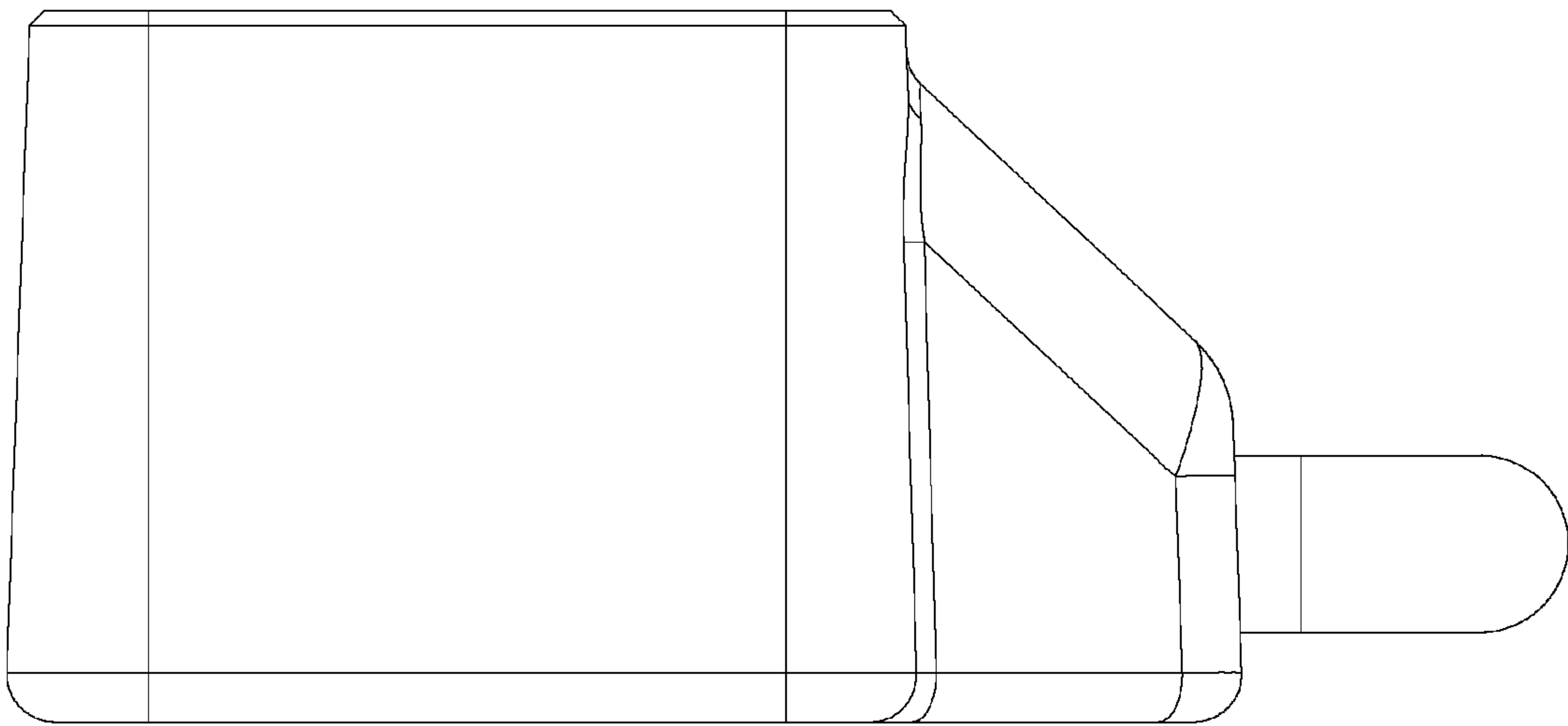


FIG. 4

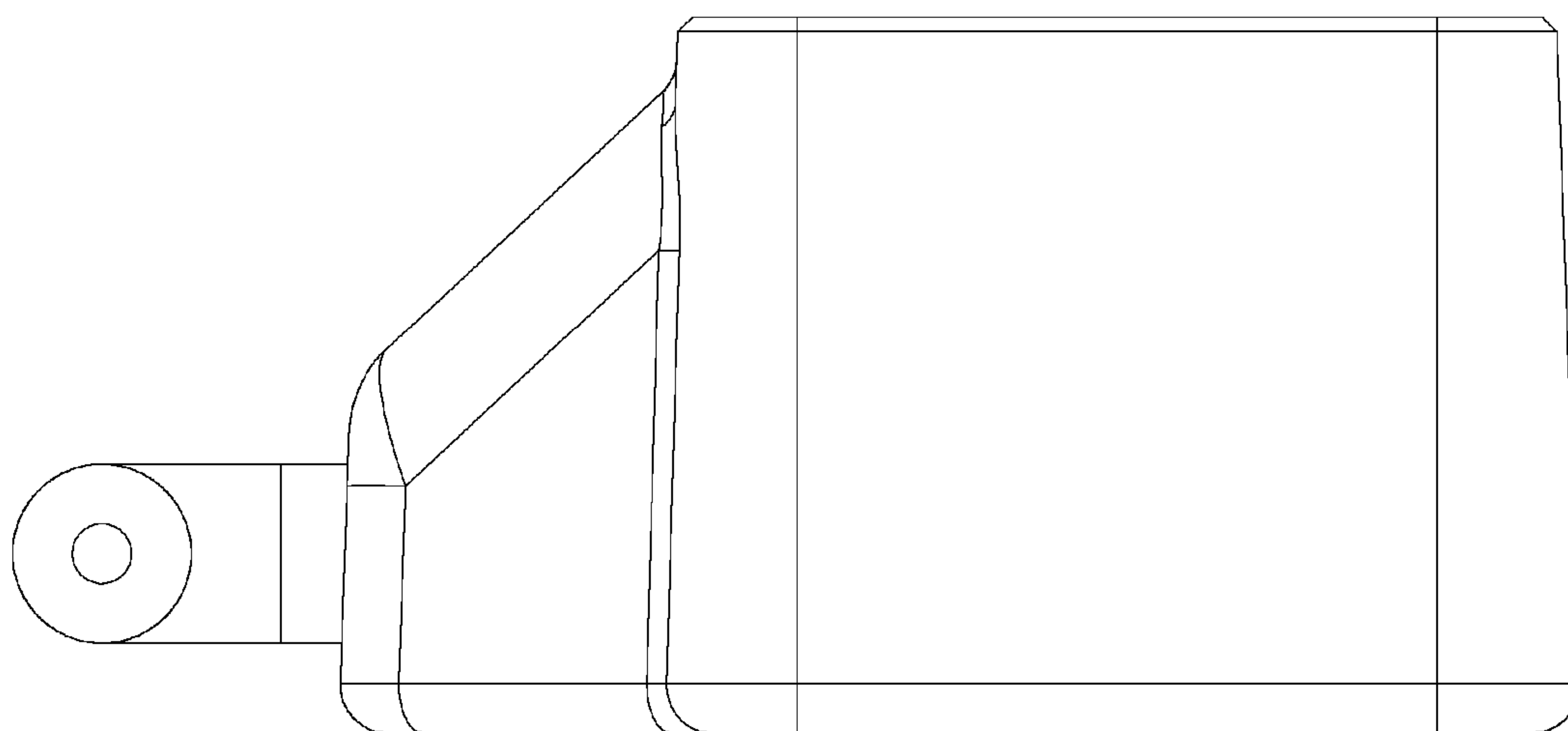


FIG. 5

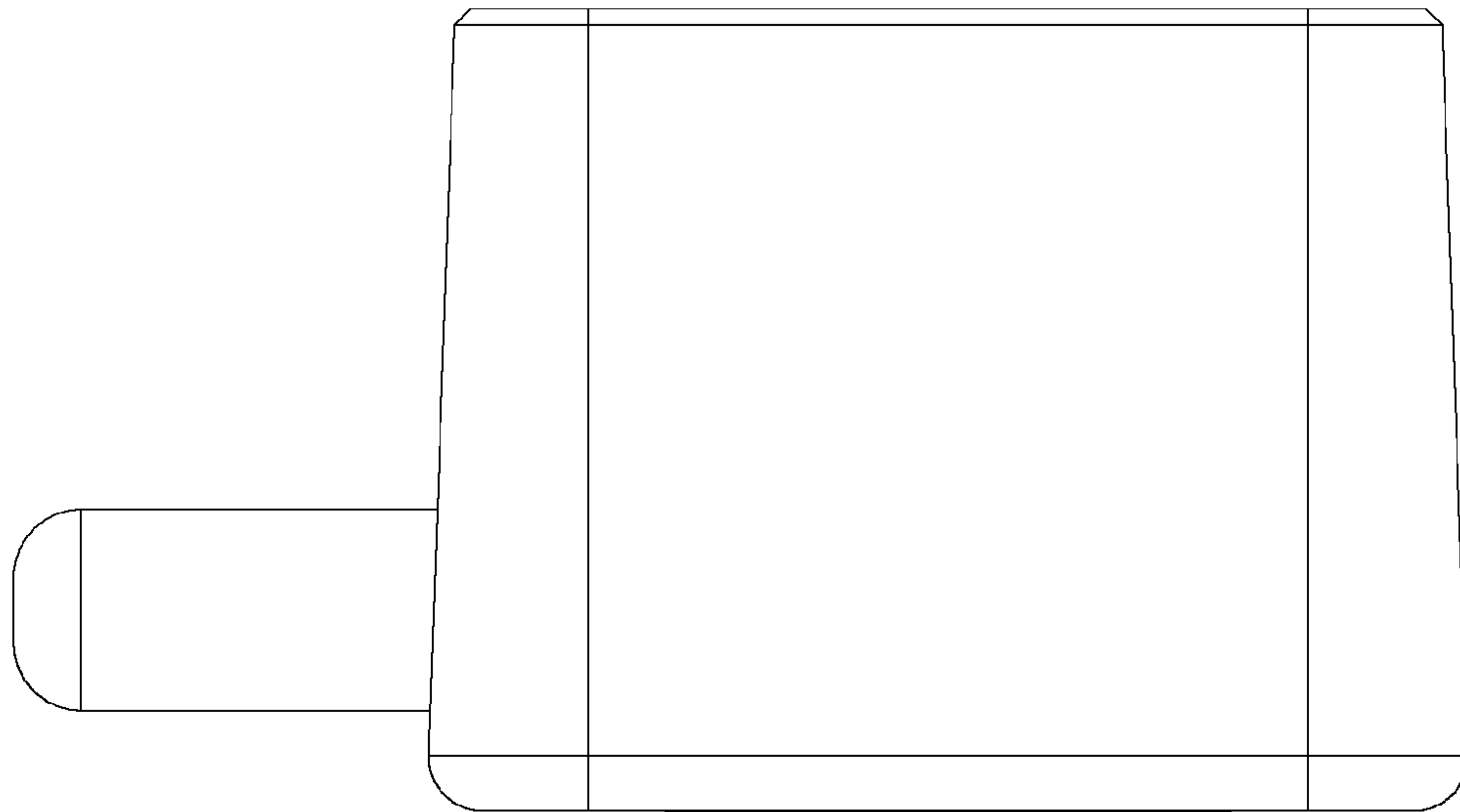


FIG. 6

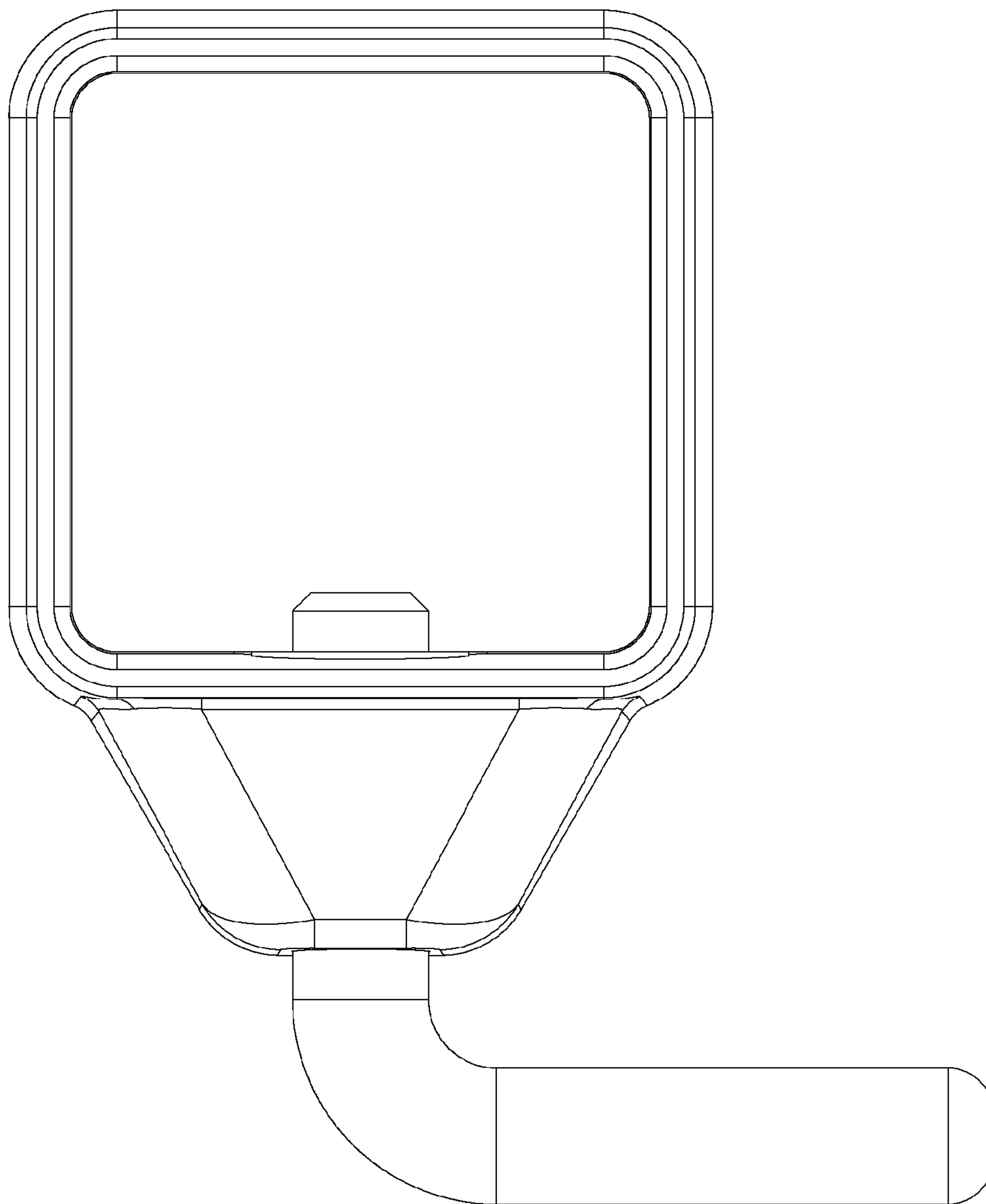


FIG. 7



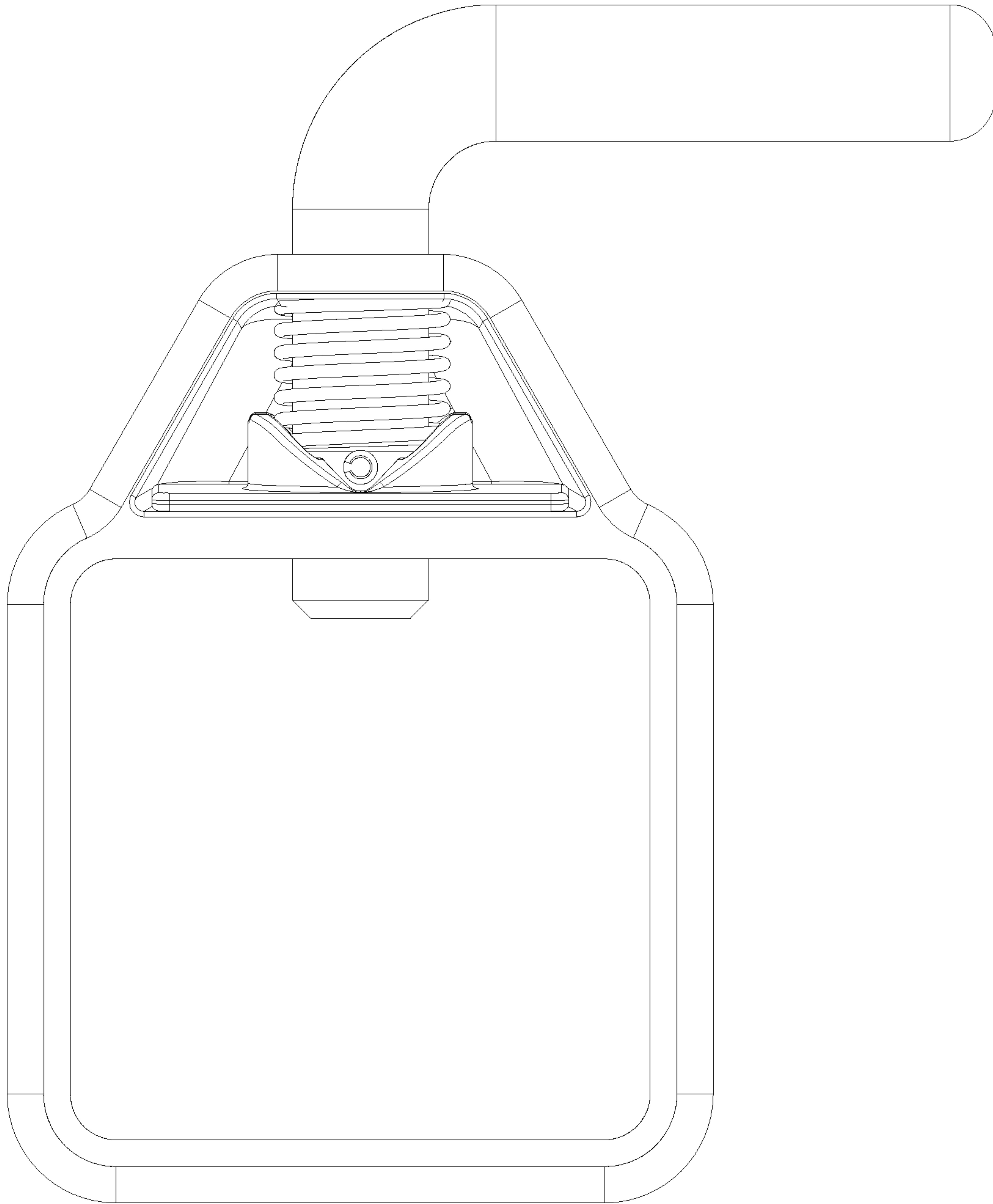


FIG. 8