



US00D639011S

(12) **United States Design Patent**  
**Ahrenholtz et al.**

(10) **Patent No.:** **US D639,011 S**

(45) **Date of Patent:** **\*\* May 31, 2011**

- (54) **HYDRAULIC JACK CAP**
  - (75) Inventors: **Ted E. Ahrenholtz**, Minnetonka, MN (US); **Justin P. Boortz**, Waconia, MN (US); **Kevin J. Hansen**, Eden Prairie, MN (US)
  - (73) Assignee: **Bluerock Technologies, Inc.**
  - (\*\*) Term: **14 Years**
  - (21) Appl. No.: **29/366,082**
  - (22) Filed: **Jul. 19, 2010**
  - (51) **LOC (9) Cl.** ..... **12-05**
  - (52) **U.S. Cl.** ..... **D34/31; D34/35**
  - (58) **Field of Classification Search** ..... D34/31, D34/35, 28; 254/2 R, 8 R, 11, 84, 93 H, 254/93 R; 248/354.5
- See application file for complete search history.

5,011,119 A	4/1991	Harrington	
D343,491 S *	1/1994	Cusimano	D34/31
5,282,605 A	2/1994	Sauber	
D348,966 S *	7/1994	Guyton	D34/31
5,458,315 A *	10/1995	Blatz et al.	254/88
D374,210 S	10/1996	Razin	
D388,925 S	1/1998	Hulegaard et al.	
5,816,554 A *	10/1998	McCracken	248/346.01
6,042,074 A *	3/2000	Cusimano	248/354.1
6,086,099 A *	7/2000	Kingsbury	280/766.1
6,099,016 A *	8/2000	Peveler	280/475
D440,022 S *	4/2001	Simpson et al.	D34/31
D447,309 S *	8/2001	Wilson	D34/31
6,302,381 B1	10/2001	Roll	
6,305,667 B1	10/2001	Heller	
D467,699 S	12/2002	King	
D537,604 S *	2/2007	Redman	D34/31
D602,672 S	10/2009	Stillwell	

\* cited by examiner

*Primary Examiner* — Cynthia E Ramirez  
(74) *Attorney, Agent, or Firm* — Schroeder & Siegfried, P.A.

(56) **References Cited**

U.S. PATENT DOCUMENTS

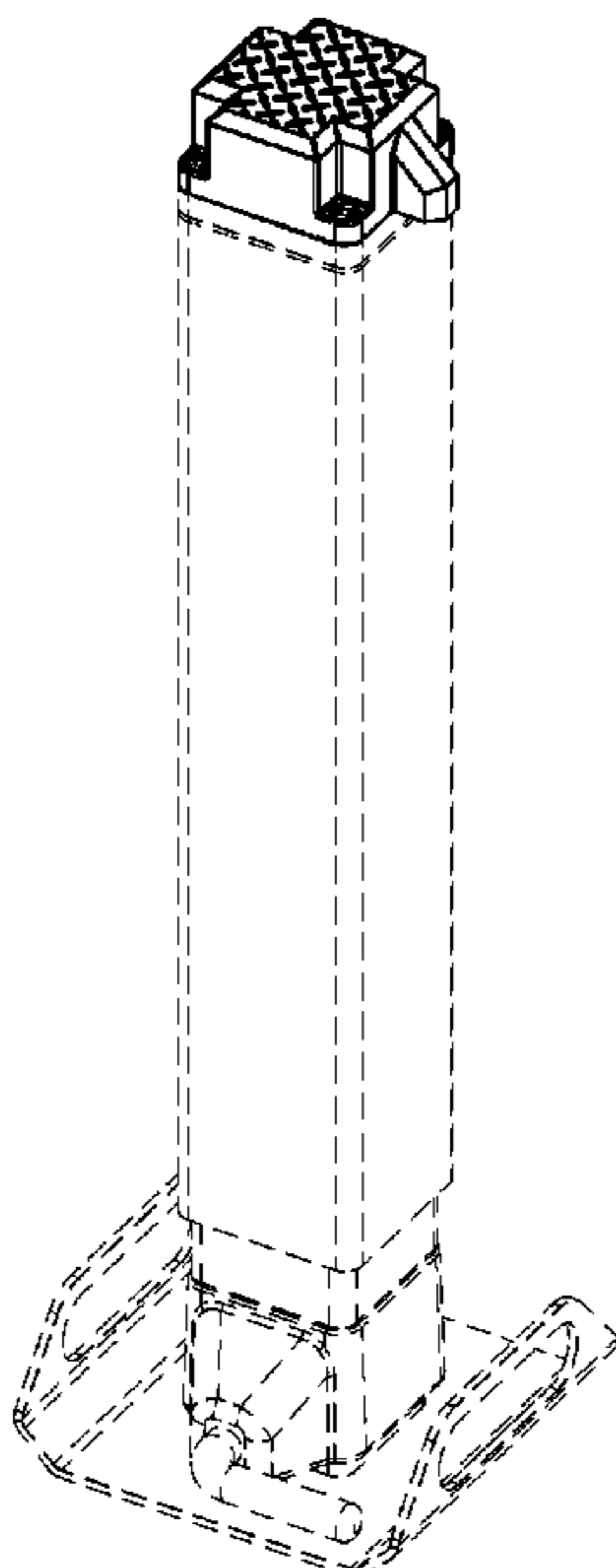
D95,744 S *	5/1935	Hein	D34/31
D96,568 S *	8/1935	Werner	D34/31
D128,108 S *	7/1941	Dalton	D34/31
3,064,994 A *	11/1962	Limmer	280/6.15
3,093,362 A *	6/1963	Schaefer	254/424
3,273,858 A	9/1966	Coburn	
3,330,602 A	7/1967	Riley et al.	
3,341,179 A	9/1967	Smith	
3,817,493 A	6/1974	Hanser	
3,860,216 A *	1/1975	Brown	254/423
3,863,894 A *	2/1975	Mansi et al.	254/420
D237,482 S *	11/1975	Mels	D15/199
4,150,813 A *	4/1979	Mena	254/423
4,165,861 A *	8/1979	Hanser	254/423
D278,753 S *	5/1985	Honour, VII	D34/31
D281,199 S	10/1985	Prawl	
D291,017 S	7/1987	Magness	
D304,575 S *	11/1989	Batzel	D34/31

**DESCRIPTION**

(57) **CLAIM**  
The ornamental design for hydraulic jack cap, as shown and described.

FIG. 1 is a perspective view of a hydraulic jack cap casting showing my new design;  
FIG. 2 is a close-up perspective view of the hydraulic jack cap shown in FIG. 1;  
FIG. 3 is a front elevational view thereof;  
FIG. 4 is a right side elevational view thereof;  
FIG. 5 is a left side elevational view thereof;  
FIG. 6 is a rear elevational view thereof;  
FIG. 7 is a top plan view thereof; and,  
FIG. 8 is a bottom plan view thereof.  
The broken lines represent environmental structure and form no part of the claimed design.

**1 Claim, 8 Drawing Sheets**



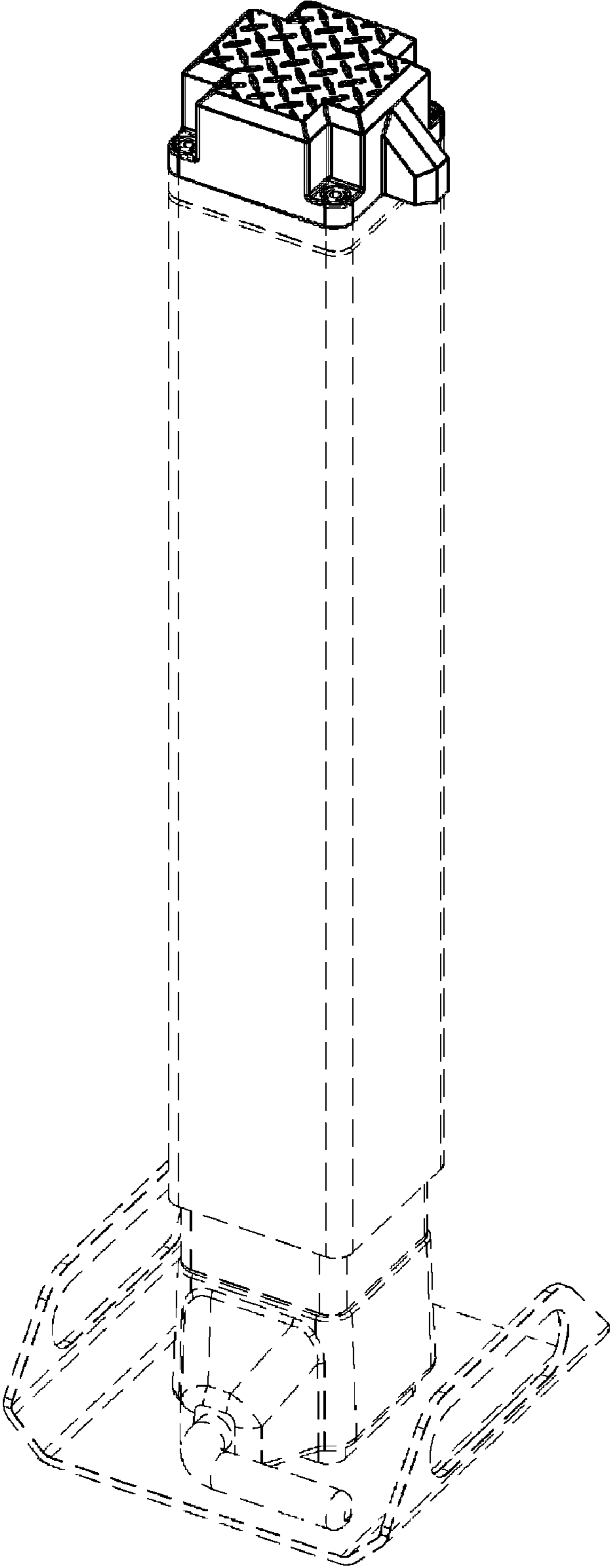


FIG. 1

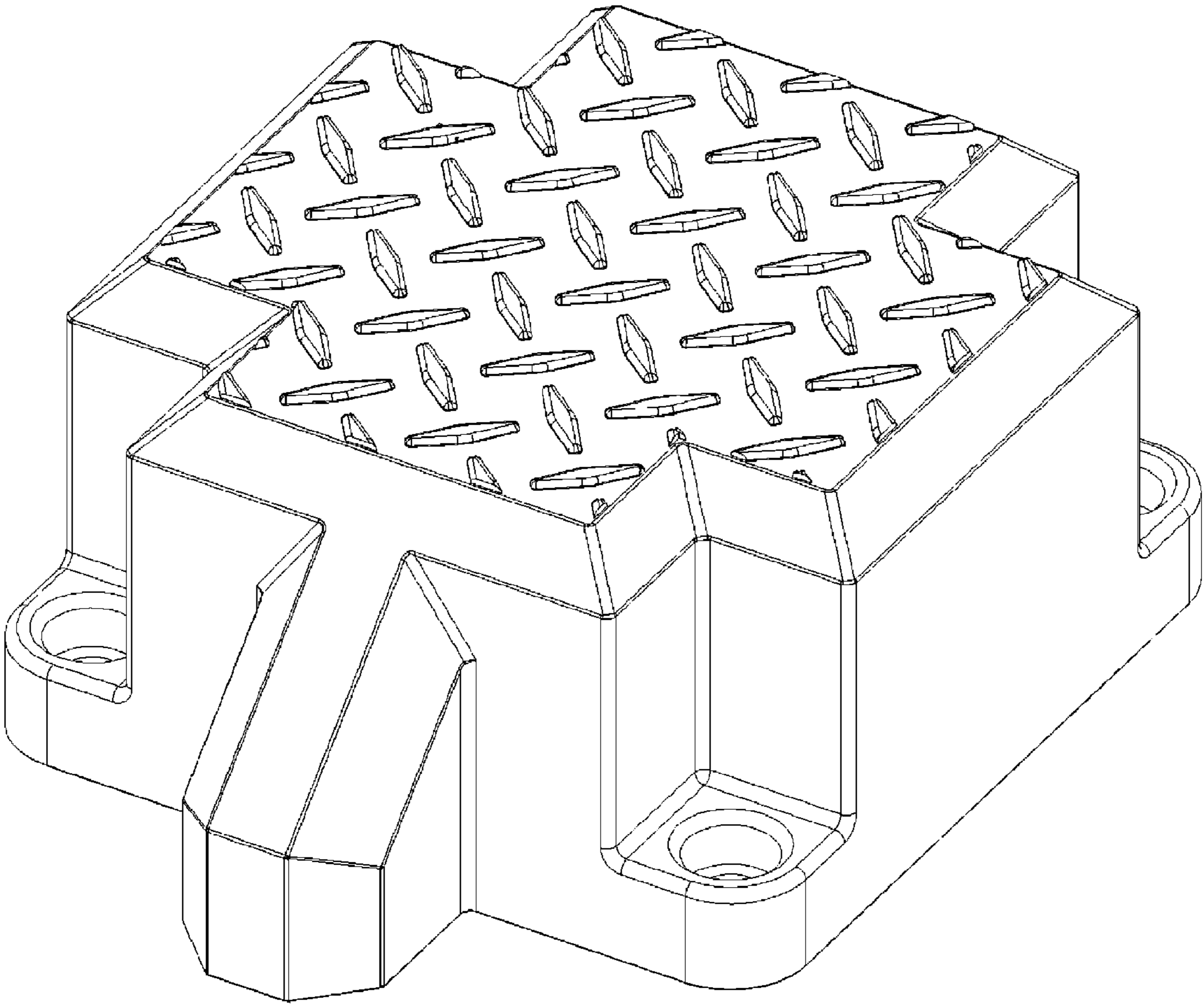


FIG. 2

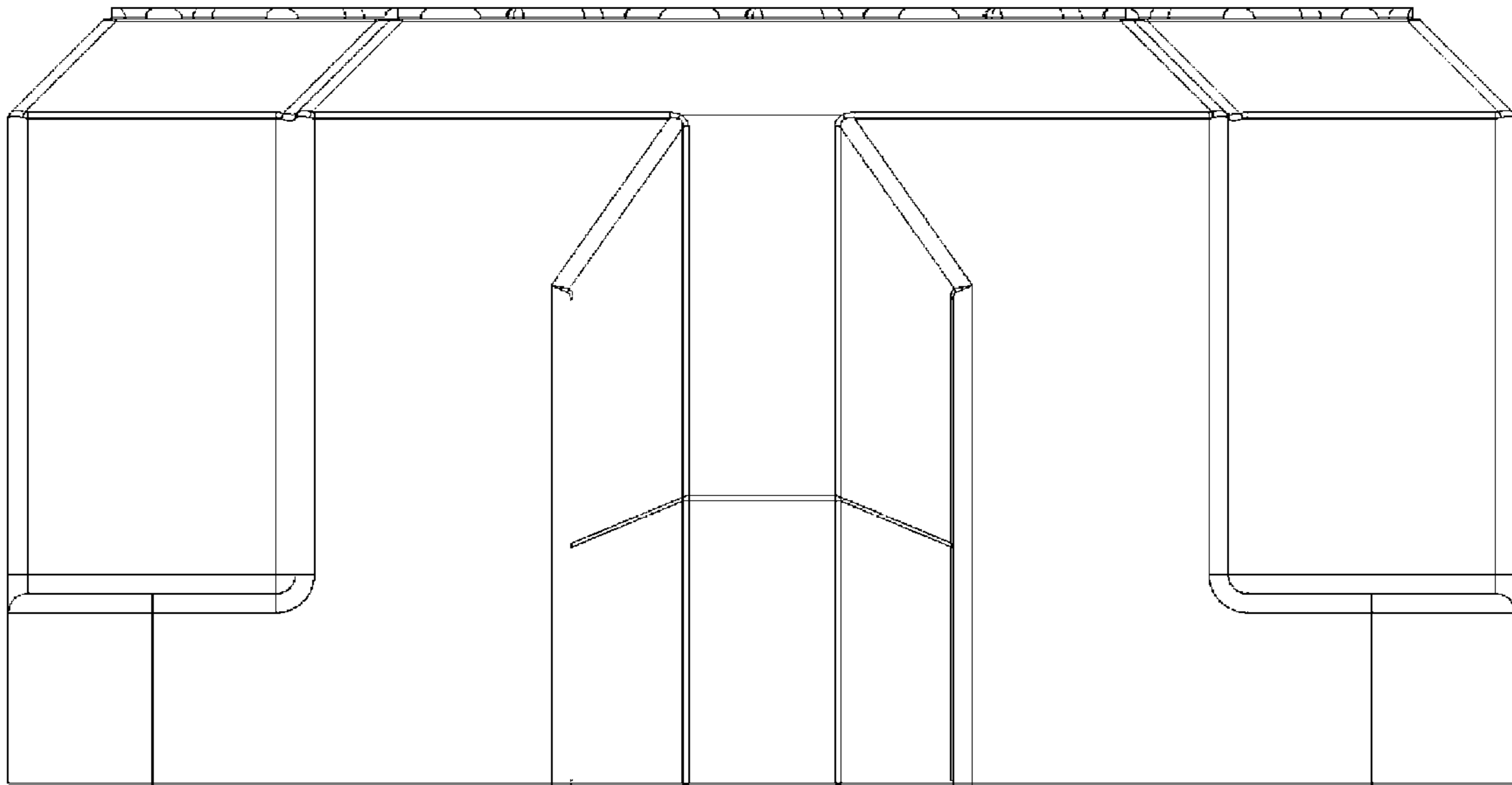


FIG. 3

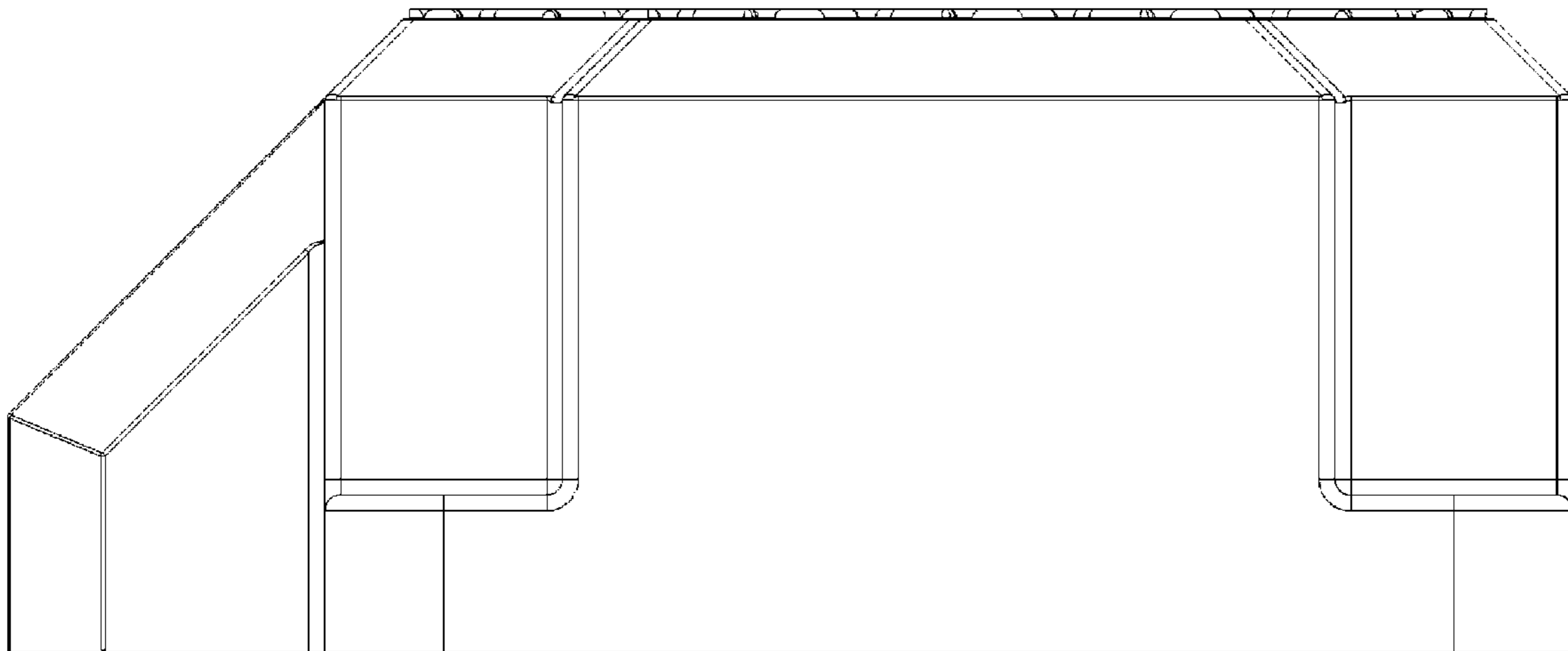


FIG. 4

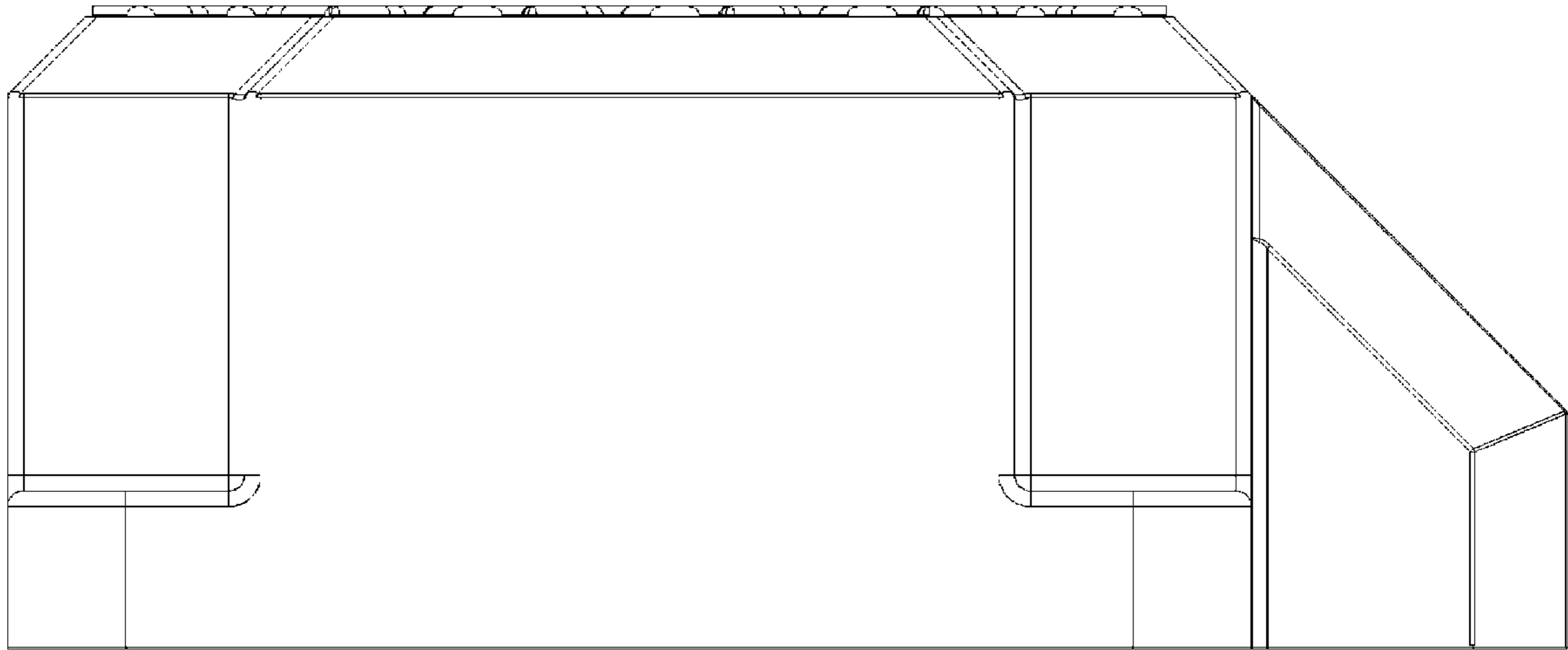


FIG. 5

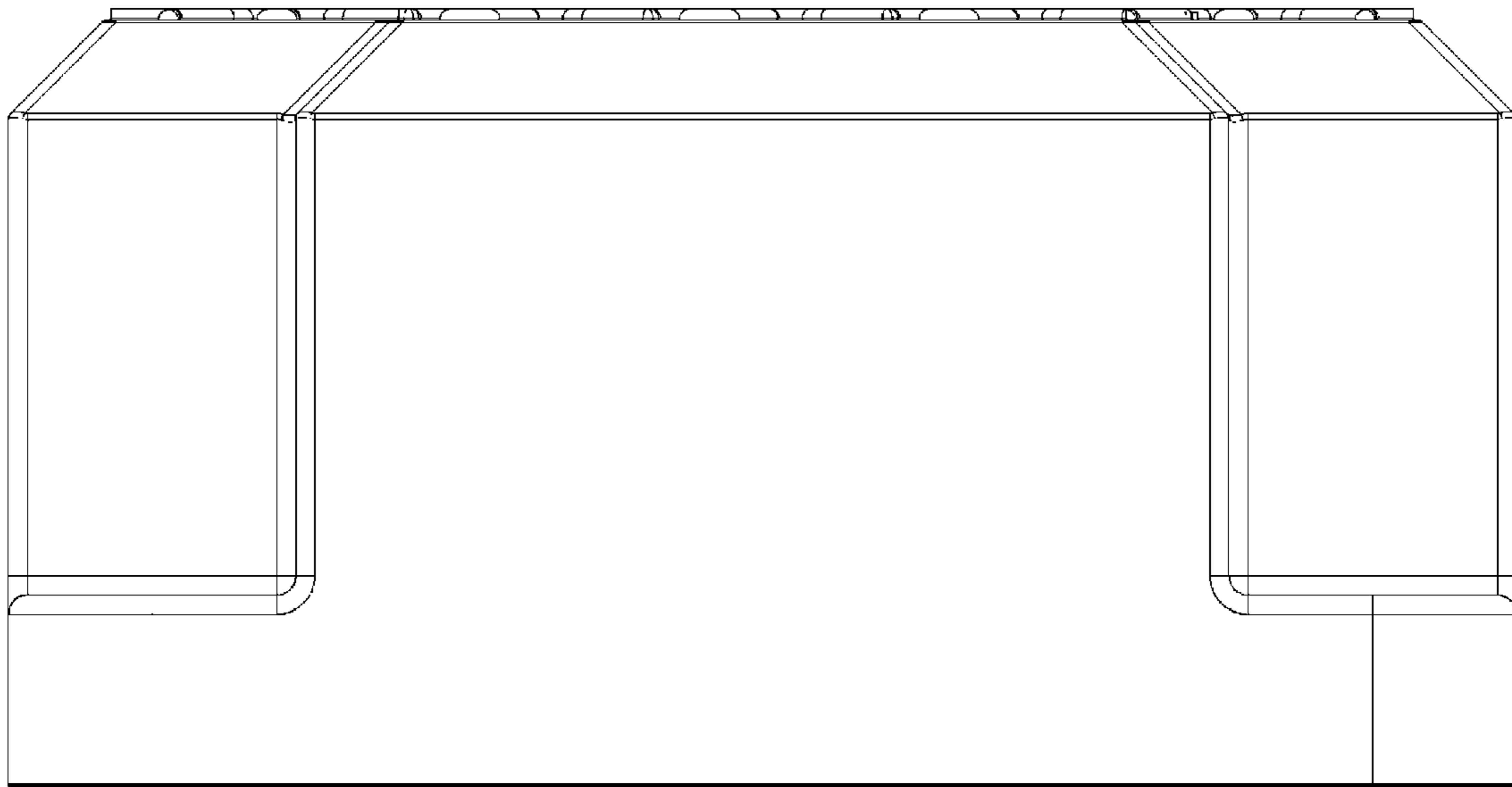


FIG. 6



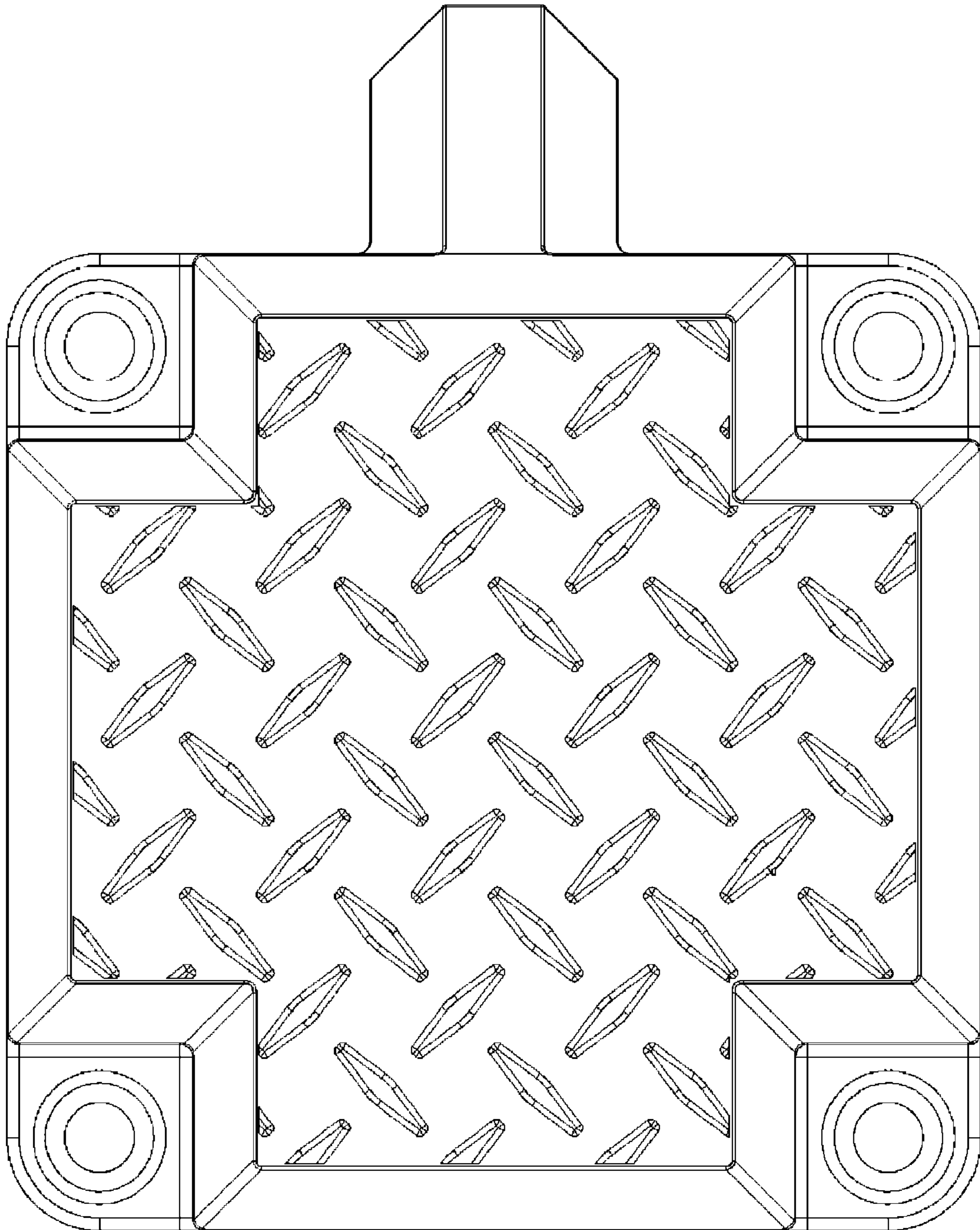


FIG. 7



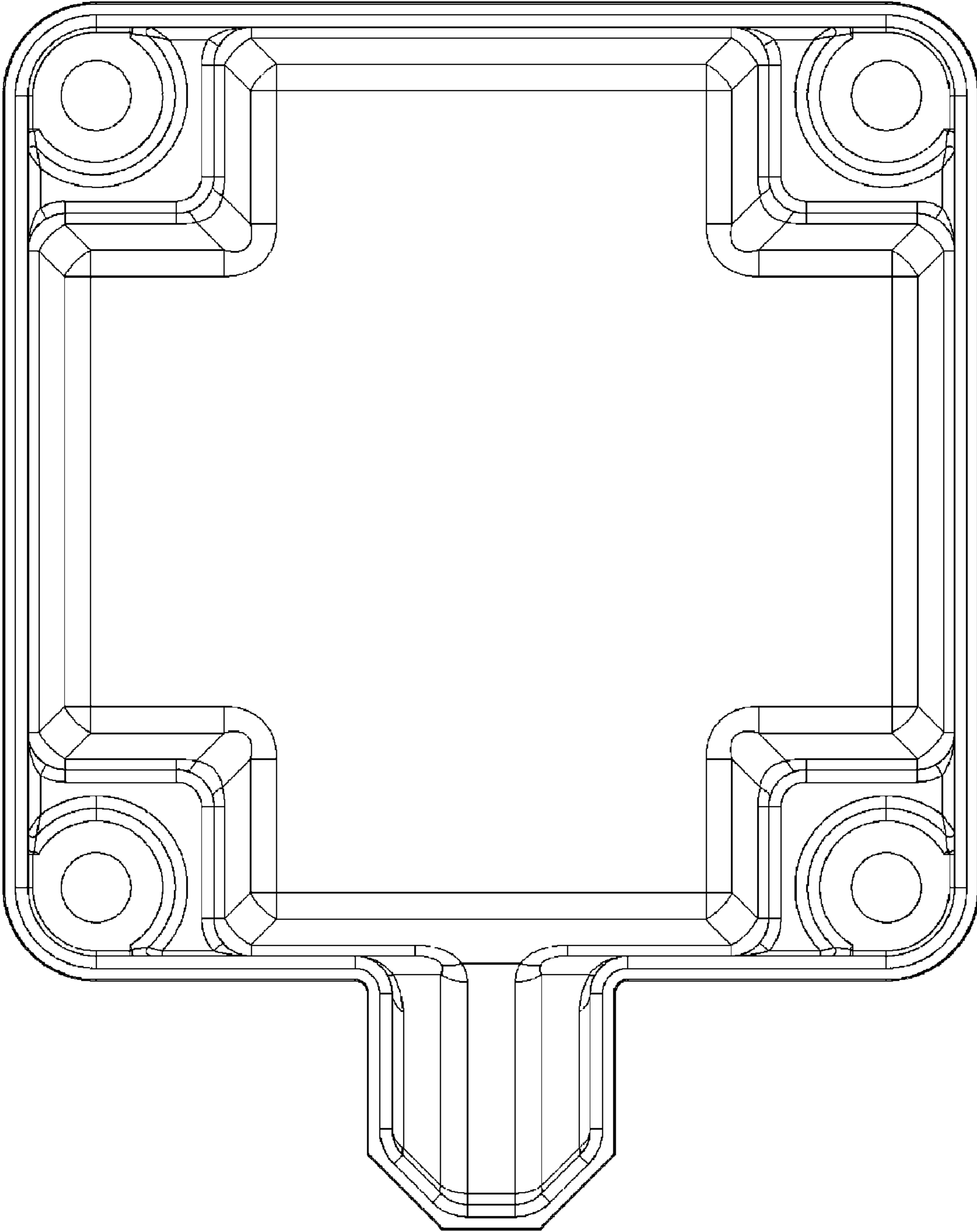


FIG. 8

UNITED STATES PATENT AND TRADEMARK OFFICE  
**CERTIFICATE OF CORRECTION**

PATENT NO. : D639,011 S  
APPLICATION NO. : 29/366082  
DATED : May 31, 2011  
INVENTOR(S) : Ted E. Ahrenholtz, Justin P. Boortz and Kevin J. Hansen

Page 1 of 1

It is certified that error appears in the above-identified patent and that said Letters Patent is hereby corrected as shown below:

Title Page; item (57);  
In the Claim:

Please insert --We claim-- immediately ahead of “The ornamental”.

In the Description:

Line 2, “my new design” should read --our new design--.

Signed and Sealed this  
Twenty-third Day of August, 2011

A handwritten signature in black ink that reads "David J. Kappos". The signature is written in a cursive, slightly slanted style.

David J. Kappos  
*Director of the United States Patent and Trademark Office*