



US00D639007S

(12) **United States Design Patent**
Maeze

(10) **Patent No.:** **US D639,007 S**
(45) **Date of Patent:** **** May 31, 2011**

(54) **TRASH CONTAINER CABINET**

(76) Inventor: **Ignacio L. Maeze**, Fresno, CA (US)

(**) Term: **14 Years**

(21) Appl. No.: **29/361,128**

(22) Filed: **May 5, 2010**

(51) **LOC (9) Cl.** **09-09**

(52) **U.S. Cl.** **D34/7**

(58) **Field of Classification Search** D34/1-11;
220/908, 908.1, 909; 232/43.1; 312/204;
D6/433, 432, 440, 441

See application file for complete search history.

(56) **References Cited**

U.S. PATENT DOCUMENTS

D23,222 S * 4/1894 Emerson D6/429
(Continued)

Primary Examiner — Cynthia E Ramirez

(74) *Attorney, Agent, or Firm* — Richard A. Ryan

(57) **CLAIM**

The ornamental design for a trash container cabinet, as shown and described.

DESCRIPTION

FIG. 1 is a front perspective view of a trash container cabinet of the present invention;

FIG. 2 is a front view of the trash container cabinet of FIG. 1;

FIG. 3 is a back view of the trash container cabinet of FIG. 1;

FIG. 4 is a right side view of the trash container cabinet of FIG. 1;

FIG. 5 is a left side view of the trash container cabinet of FIG. 1;

FIG. 6 is a top view of the trash container cabinet of FIG. 1;

FIG. 7 is a bottom view of the trash container cabinet of FIG. 1;

1;

FIG. 8 is a front perspective view of a second embodiment of a trash container cabinet of the present invention;

FIG. 9 is a front view of the trash container cabinet of FIG. 8;

FIG. 10 is a back view of the trash container cabinet of FIG. 8;

FIG. 11 is a right side view of the trash container cabinet of FIG. 8;

FIG. 12 is a left side view of the trash container cabinet of FIG. 8;

FIG. 13 is a top view of the trash container cabinet of FIG. 8;

FIG. 14 is a bottom view of the trash container cabinet of FIG. 8;

FIG. 15 is a front perspective view of a third embodiment of a trash container cabinet of the present invention;

FIG. 16 is a front view of the trash container cabinet of FIG. 15;

FIG. 17 is a back view of the trash container cabinet of FIG. 15;

FIG. 18 is a right side view of the trash container cabinet of FIG. 15;

FIG. 19 is a left side view of the trash container cabinet of FIG. 15;

FIG. 20 is a top view of the trash container cabinet of FIG. 15;

FIG. 21 is a bottom view of the trash container cabinet of FIG. 15;

FIG. 22 is a front perspective view of a fourth embodiment of a trash container cabinet of the present invention;

FIG. 23 is a front view of the trash container cabinet of FIG. 22;

FIG. 24 is a back view of the trash container cabinet of FIG. 22;

FIG. 25 is a right side view of the trash container cabinet of FIG. 22;

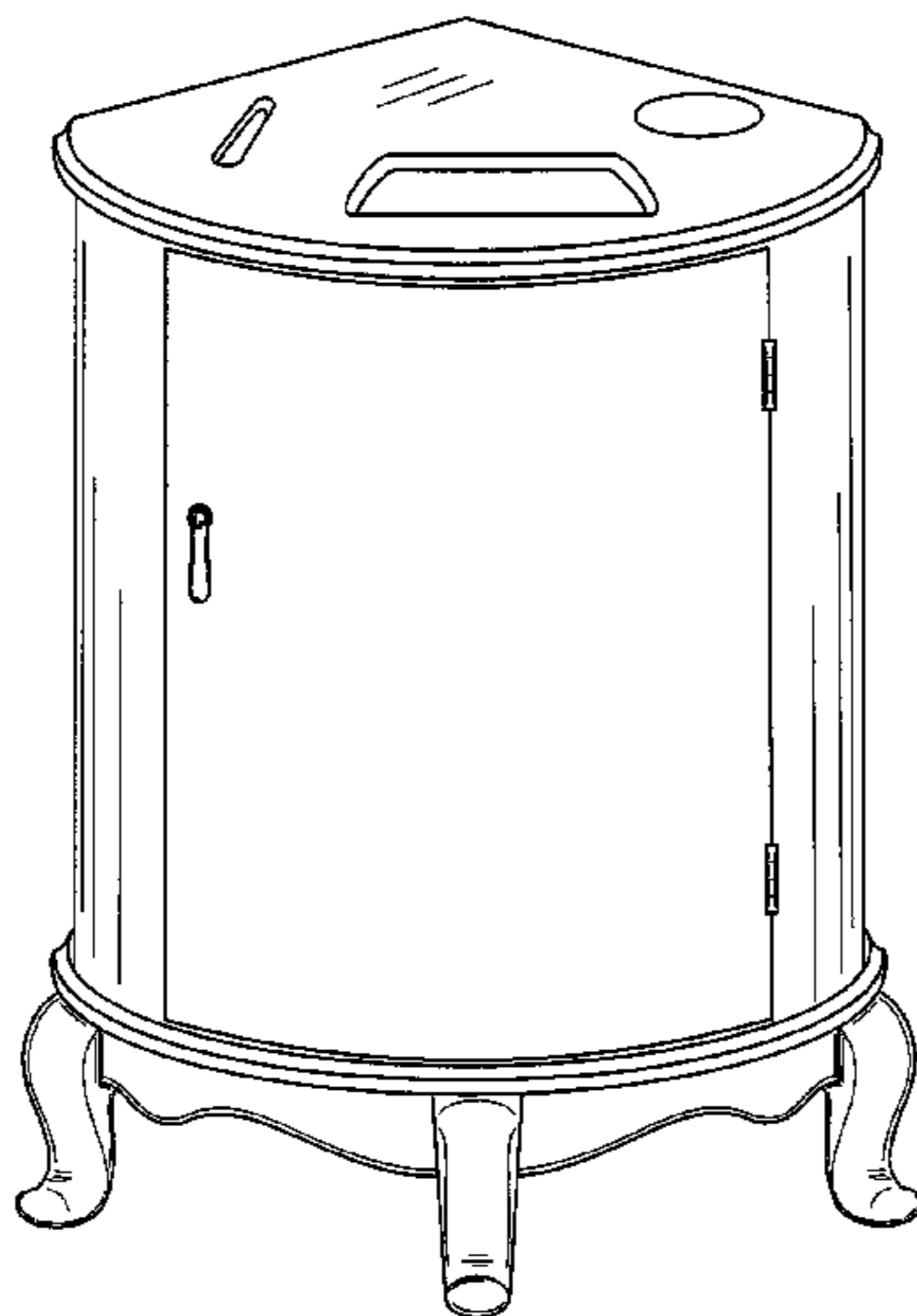
FIG. 26 is a left side view of the trash container cabinet of FIG. 22;

FIG. 27 is a top view of the trash container cabinet of FIG. 22;

and, FIG. 28 is a bottom view of the trash container cabinet of FIG. 22.

The broken line showing of a small square element in FIGS. 6 and 27 is included for the purpose of illustrating environment and forms no part of the claimed design.

1 Claim, 16 Drawing Sheets



US D639,007 S

Page 2

U.S. PATENT DOCUMENTS

1,423,078	A *	7/1922	Carlson	312/348.3	6,626,317	B2 *	9/2003	Pfiefer et al.	220/263
D156,793	S *	1/1950	Wilks	D6/441	D488,325	S *	4/2004	Stanton	D6/441
D330,956	S *	11/1992	Severino	D34/7	D560,389	S *	1/2008	Svendsen et al.	D6/441
D333,742	S *	3/1993	Reutenauer et al.	D6/442	D560,390	S *	1/2008	Svendsen et al.	D6/441
D380,625	S *	7/1997	Yeh	D6/441	D588,833	S *	3/2009	LeTourneau	D6/432
D437,712	S *	2/2001	Keller	D6/441	D597,272	S *	7/2009	Auguste	D32/66
6,311,859	B1 *	11/2001	Haas	220/4.22	D609,028	S *	2/2010	LeTourneau	D6/432
D469,988	S *	2/2003	Stanton	D6/480	D610,368	S *	2/2010	LeTourneau	D6/432

* cited by examiner

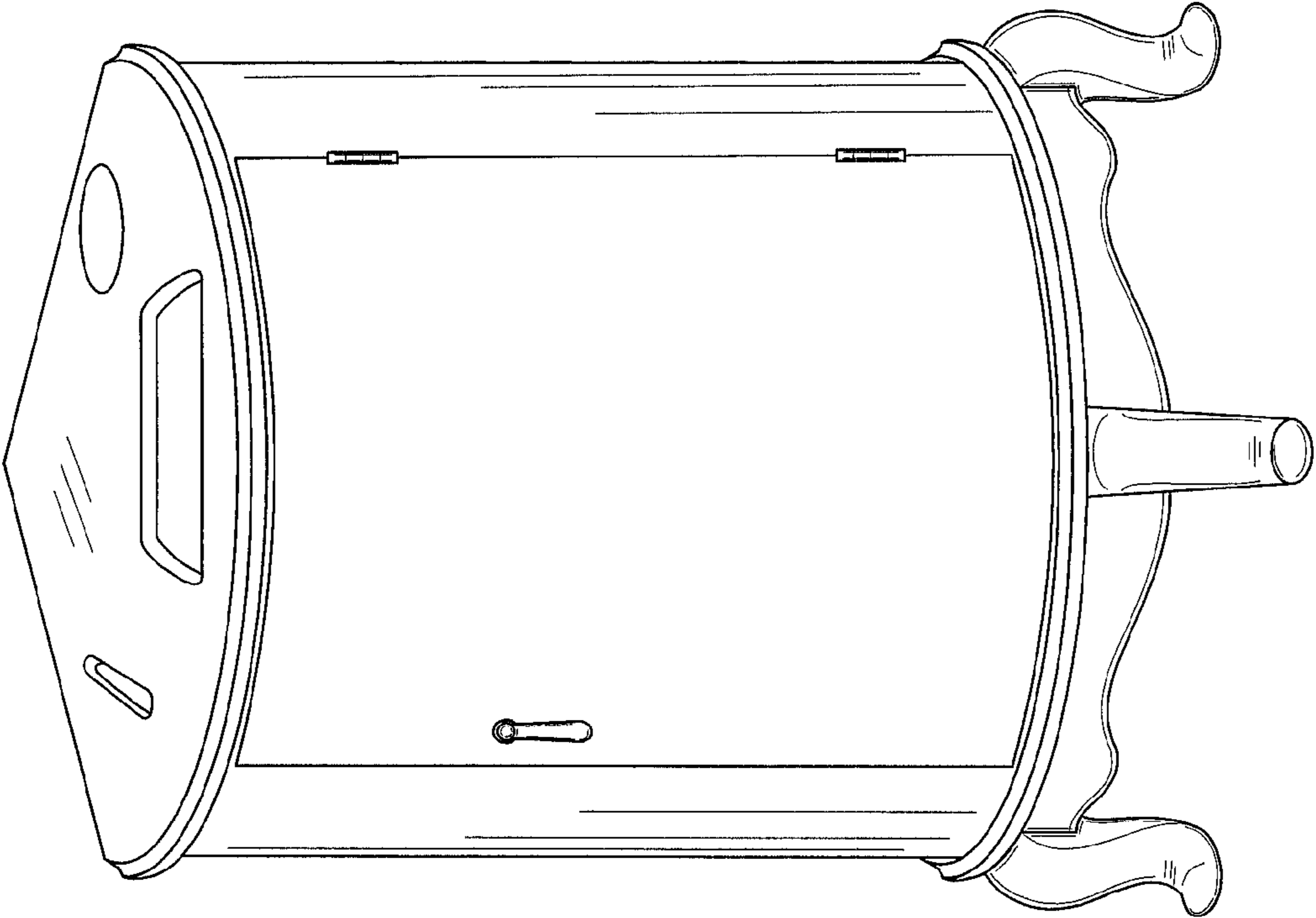


FIG. 1

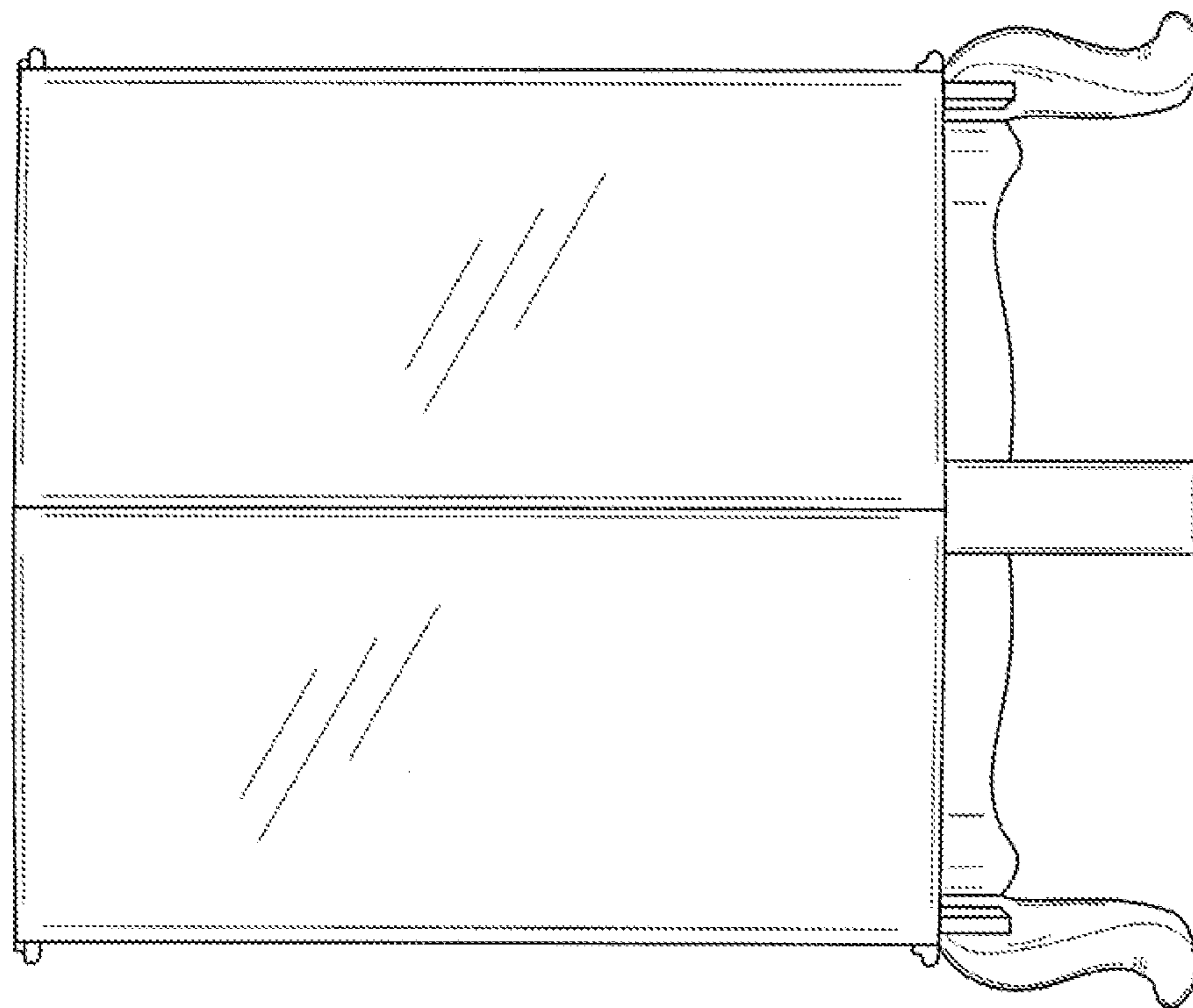


FIG. 3

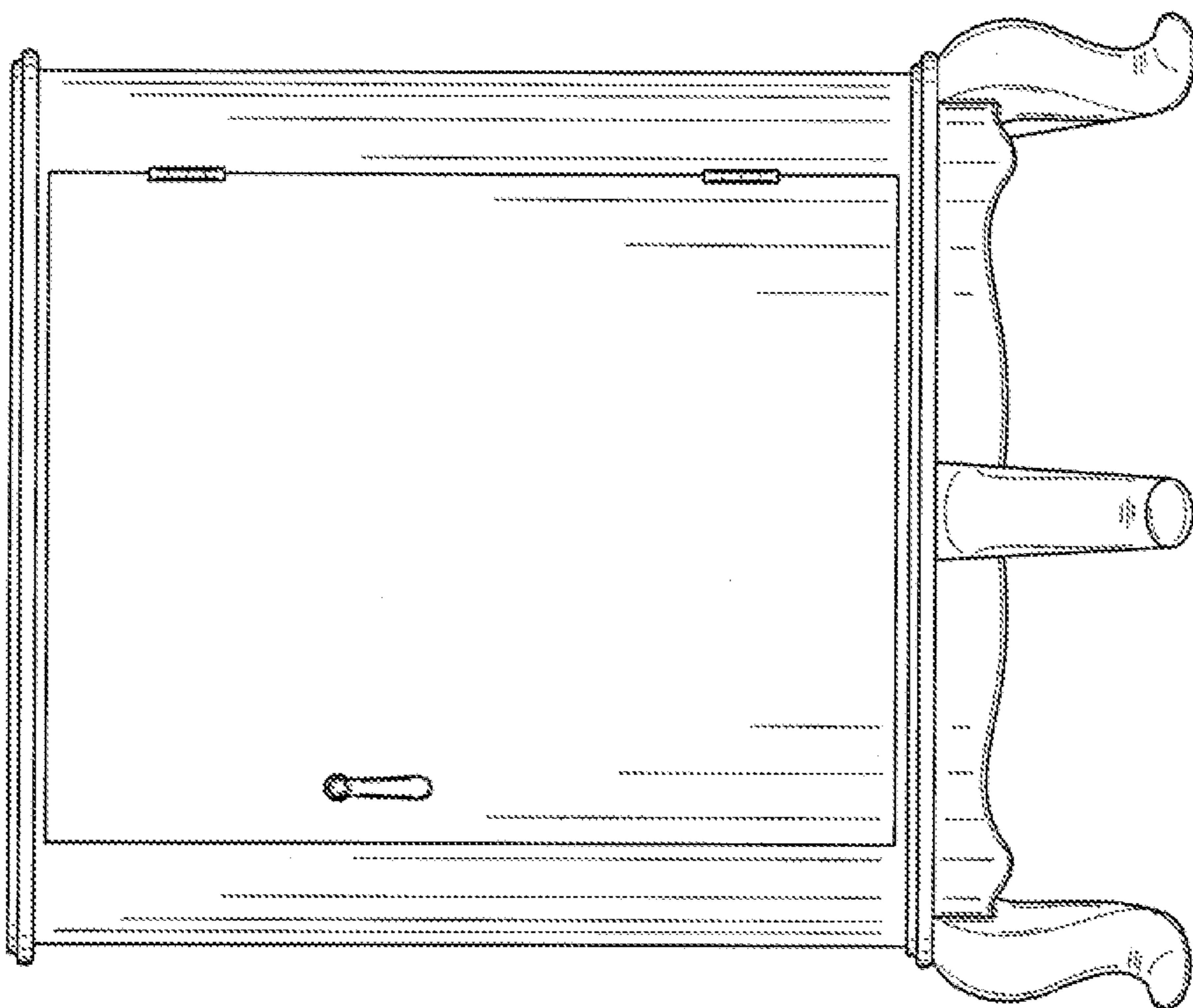


FIG. 2

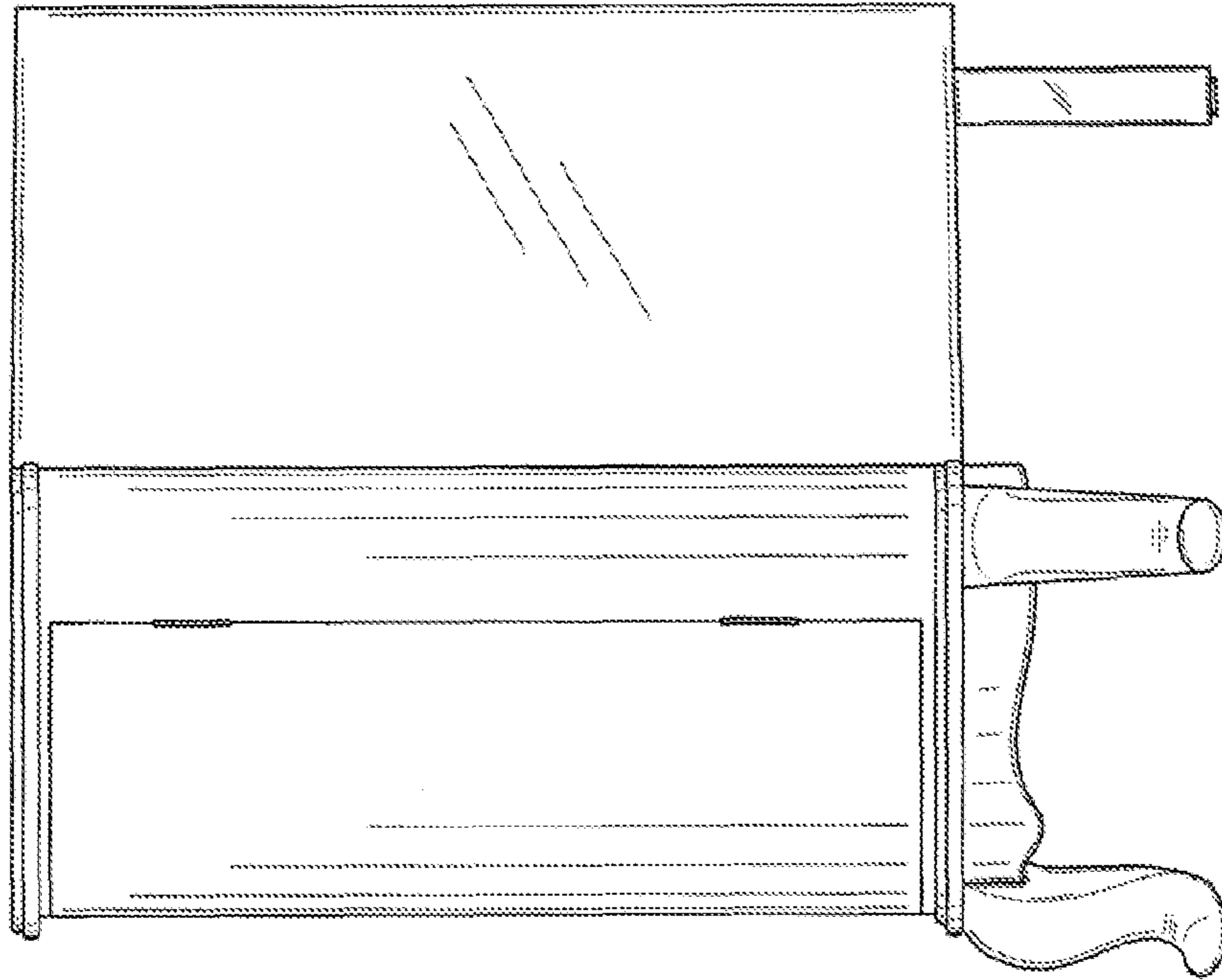


FIG. 5

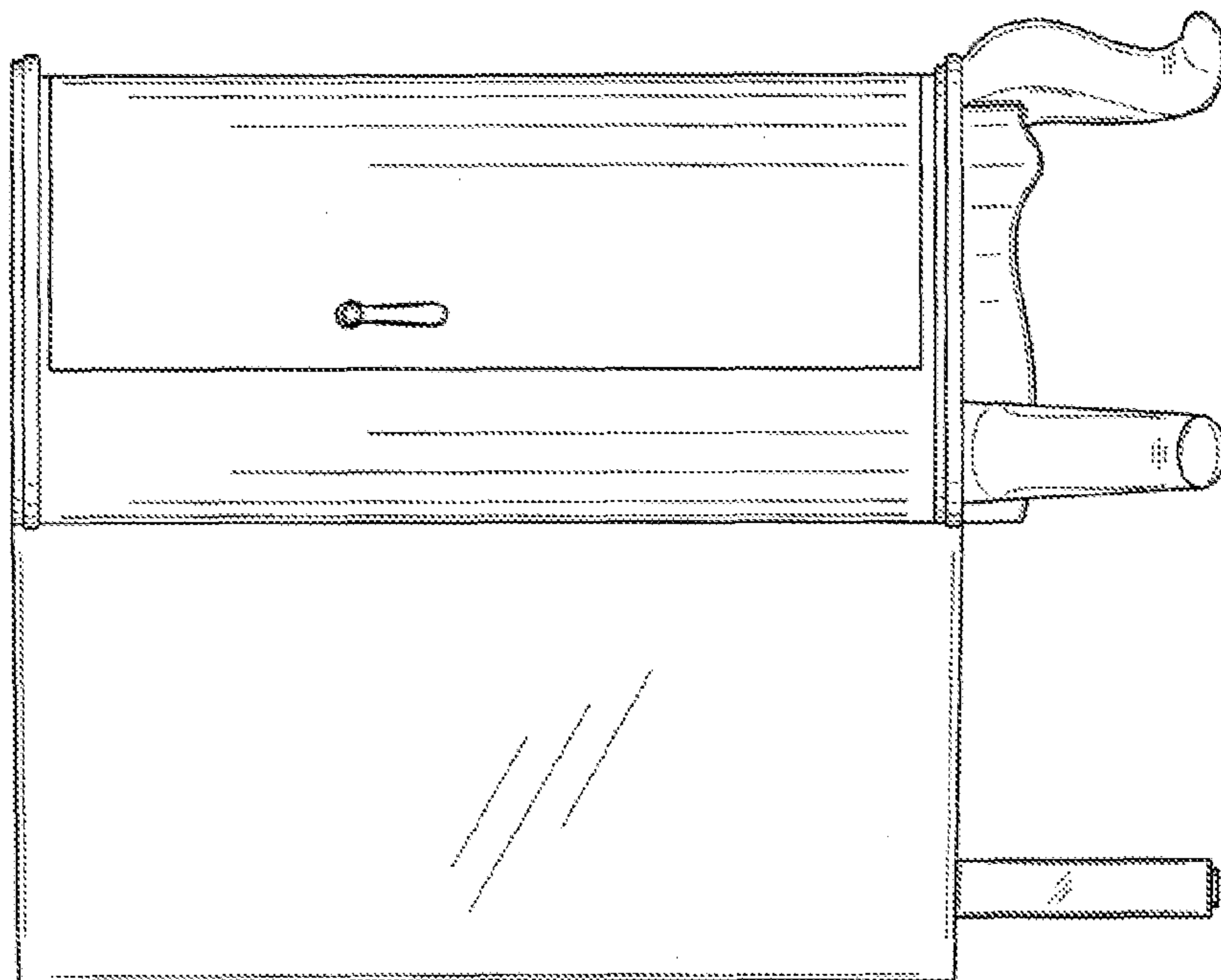


FIG. 4

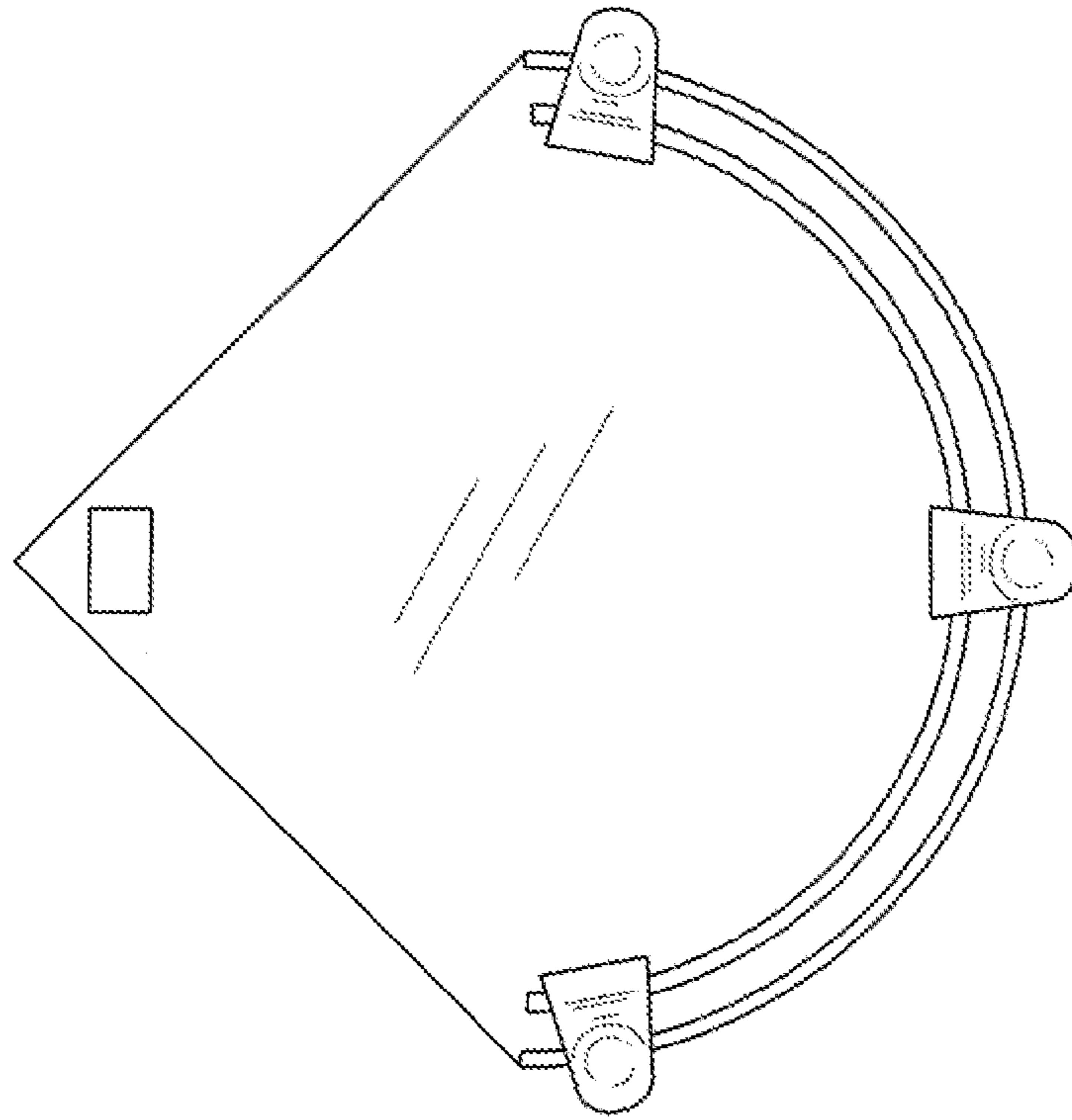


FIG. 7

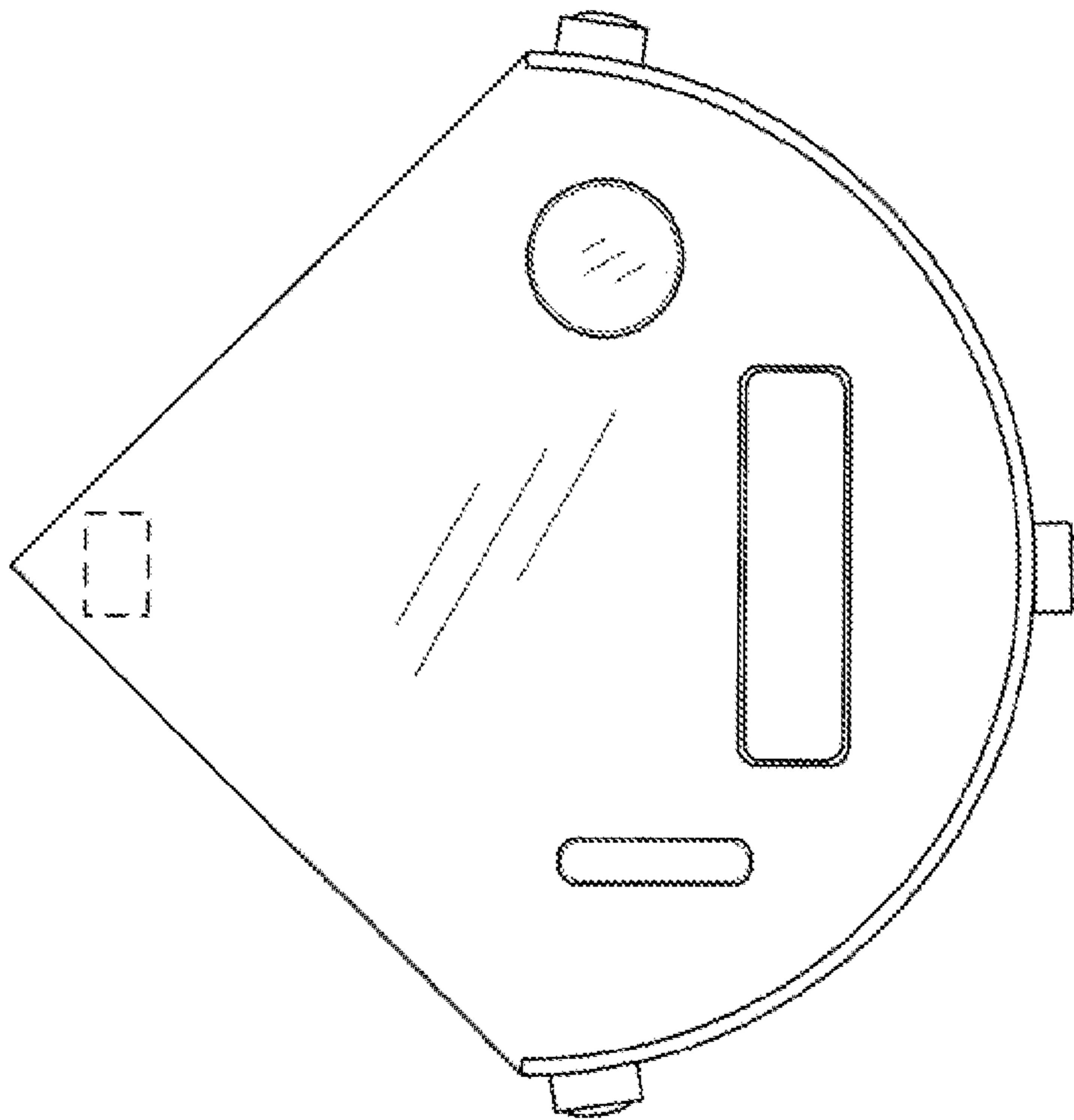


FIG. 6

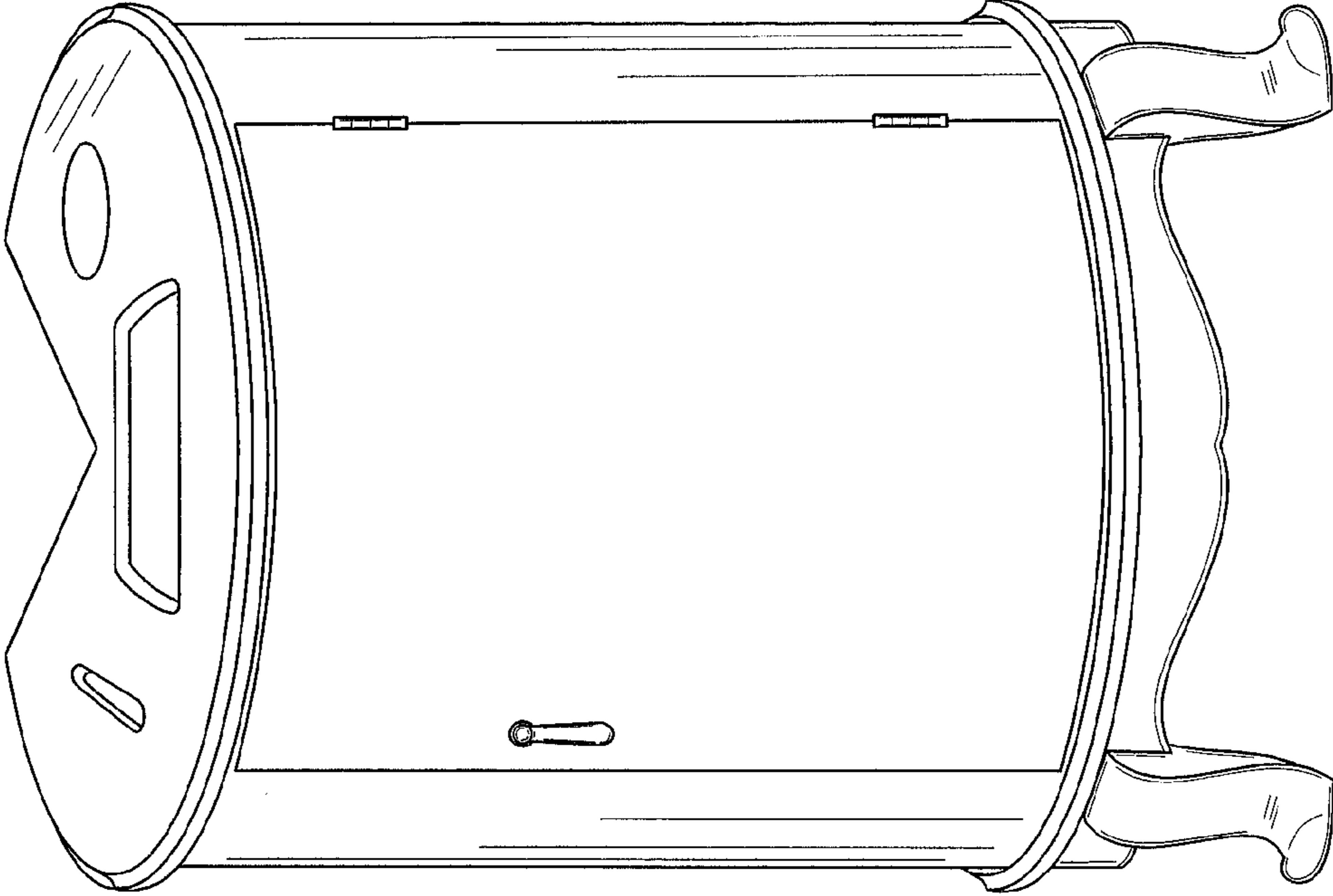


FIG. 8

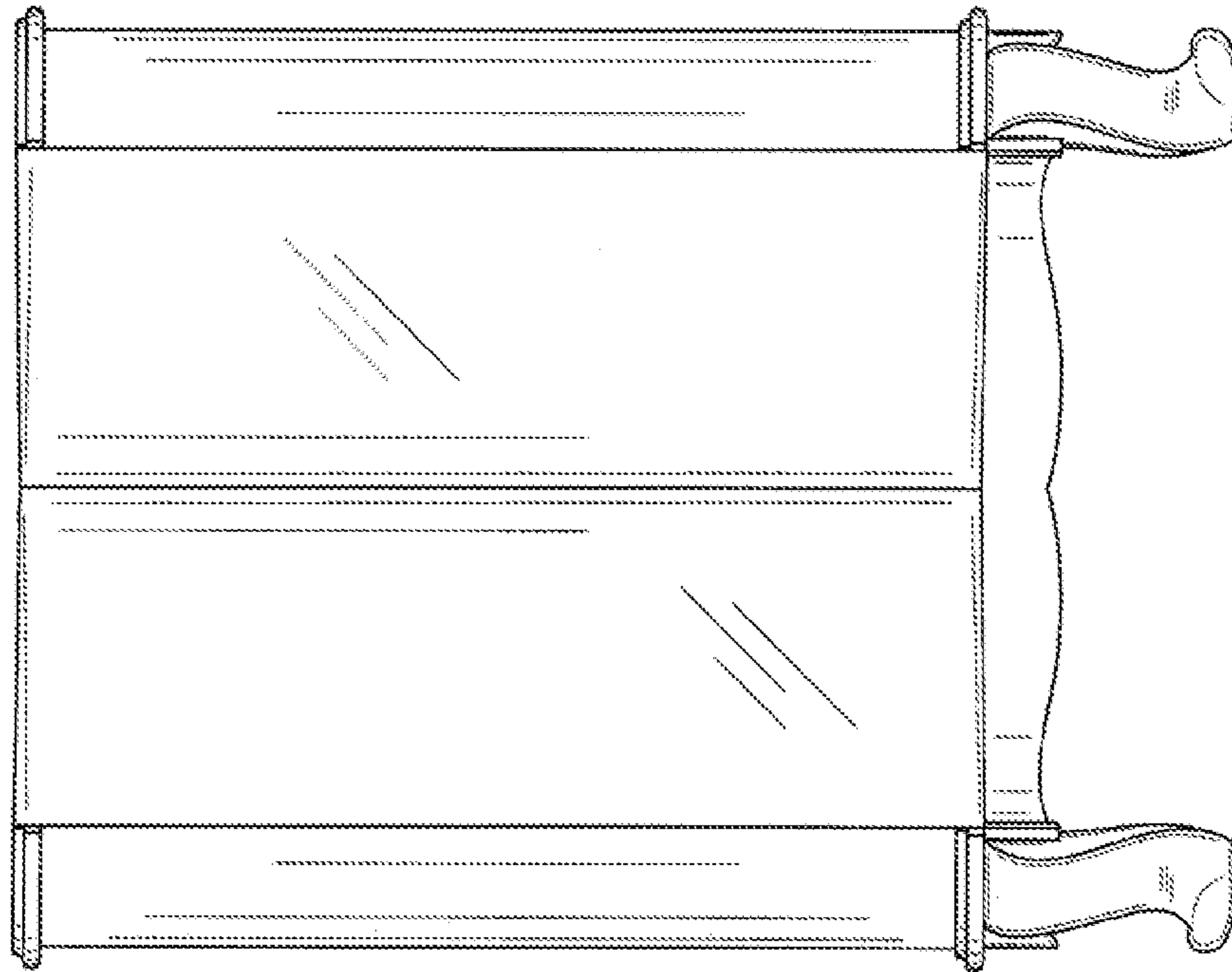


FIG. 10

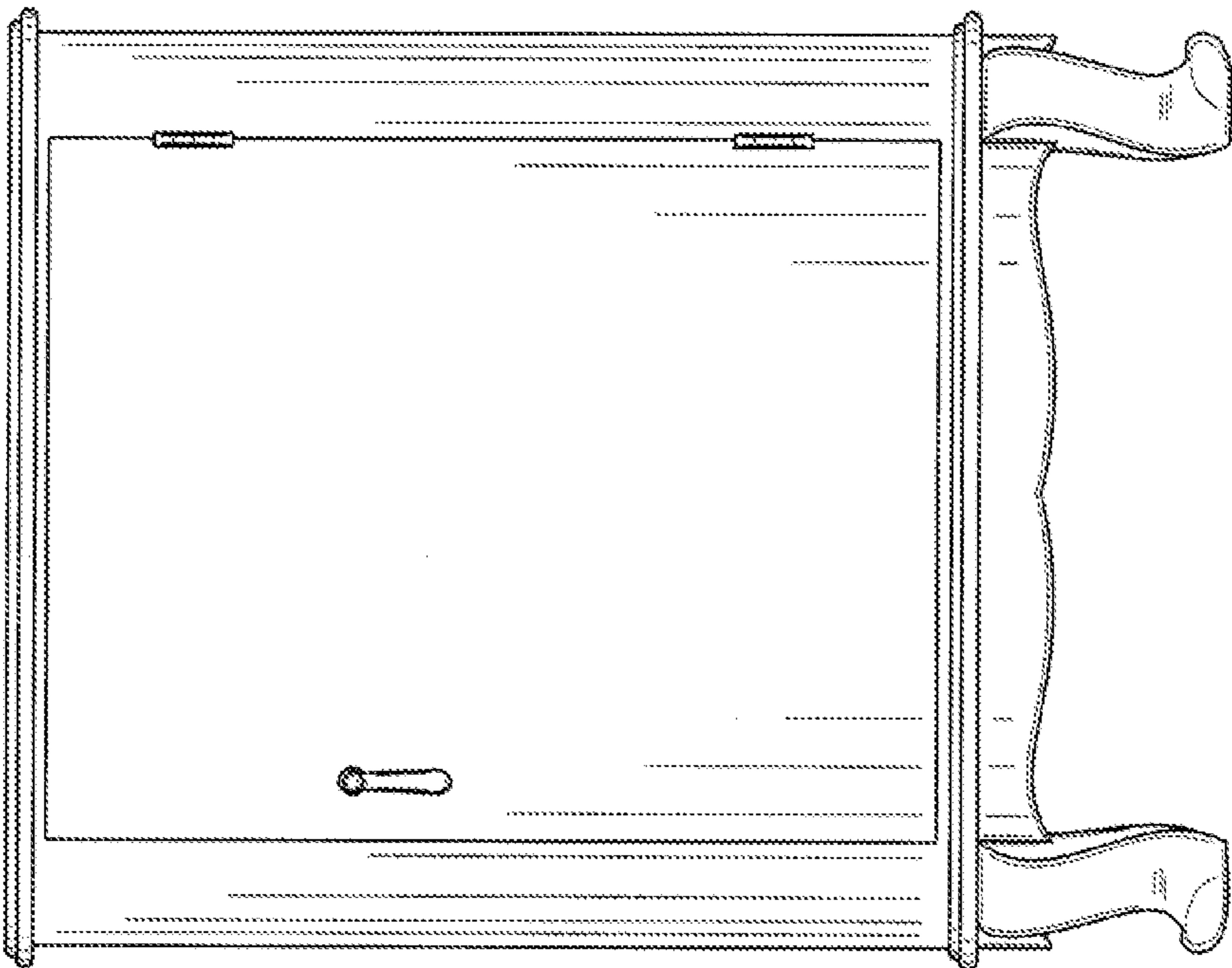


FIG. 9

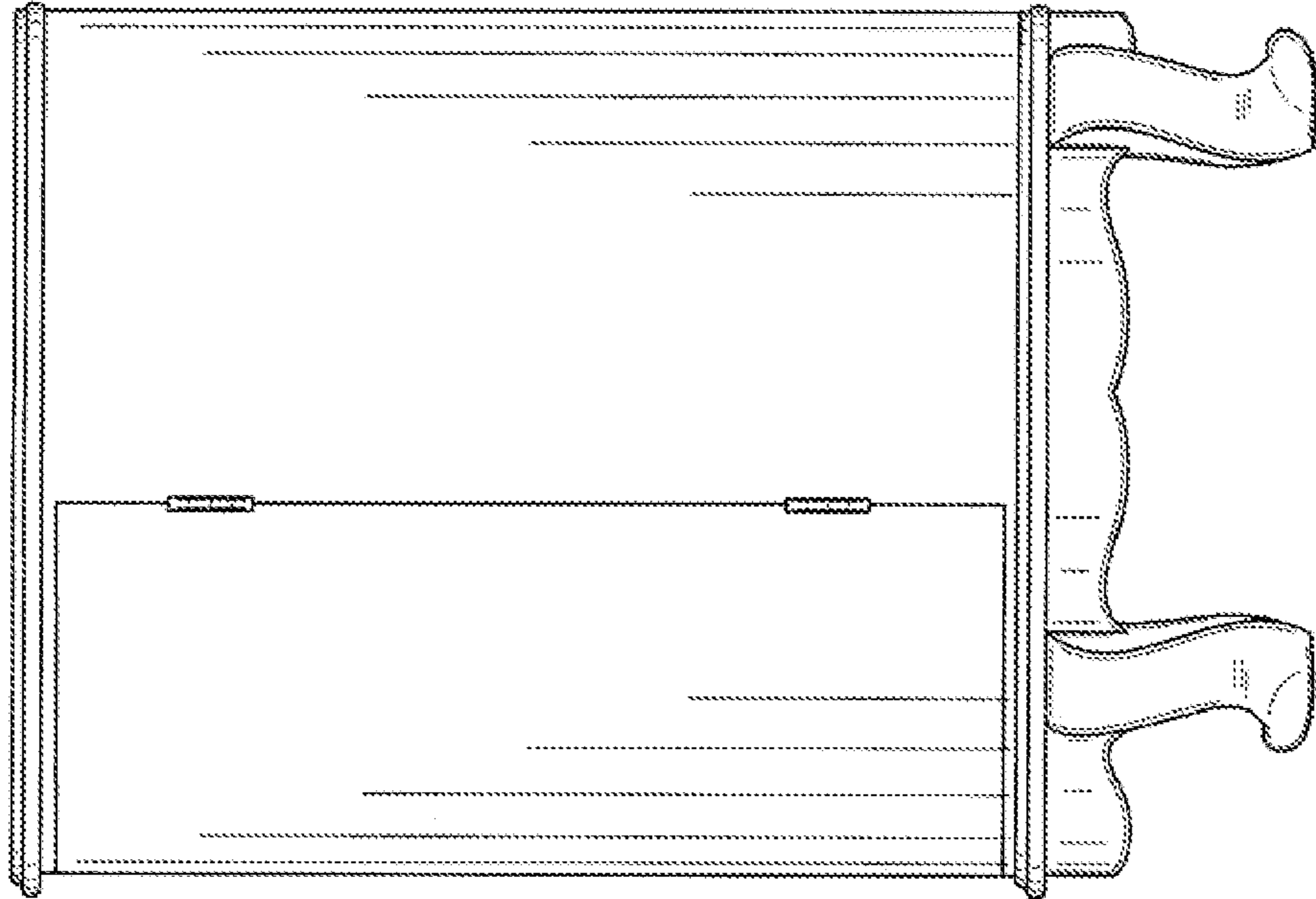


FIG. 11

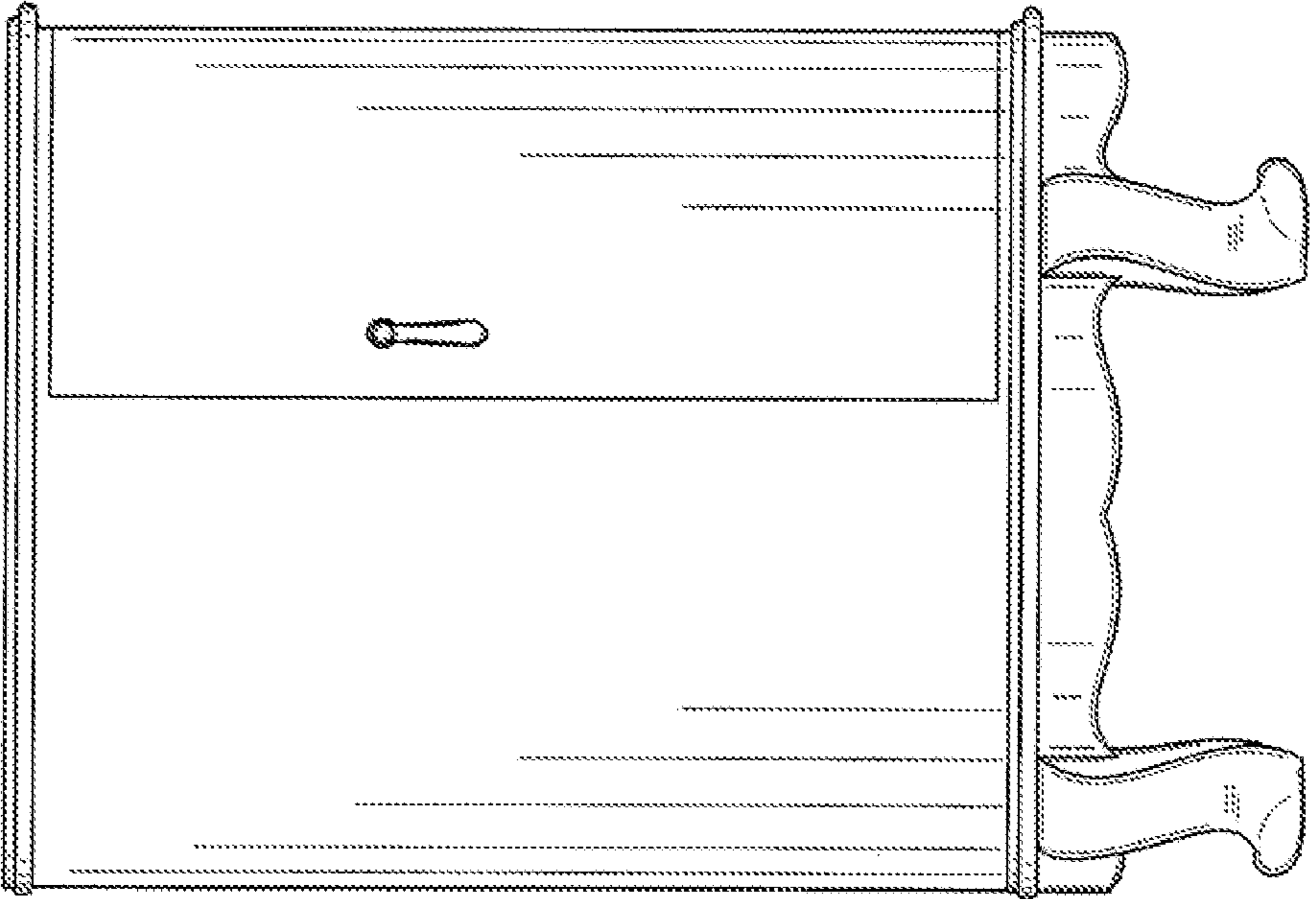


FIG. 12

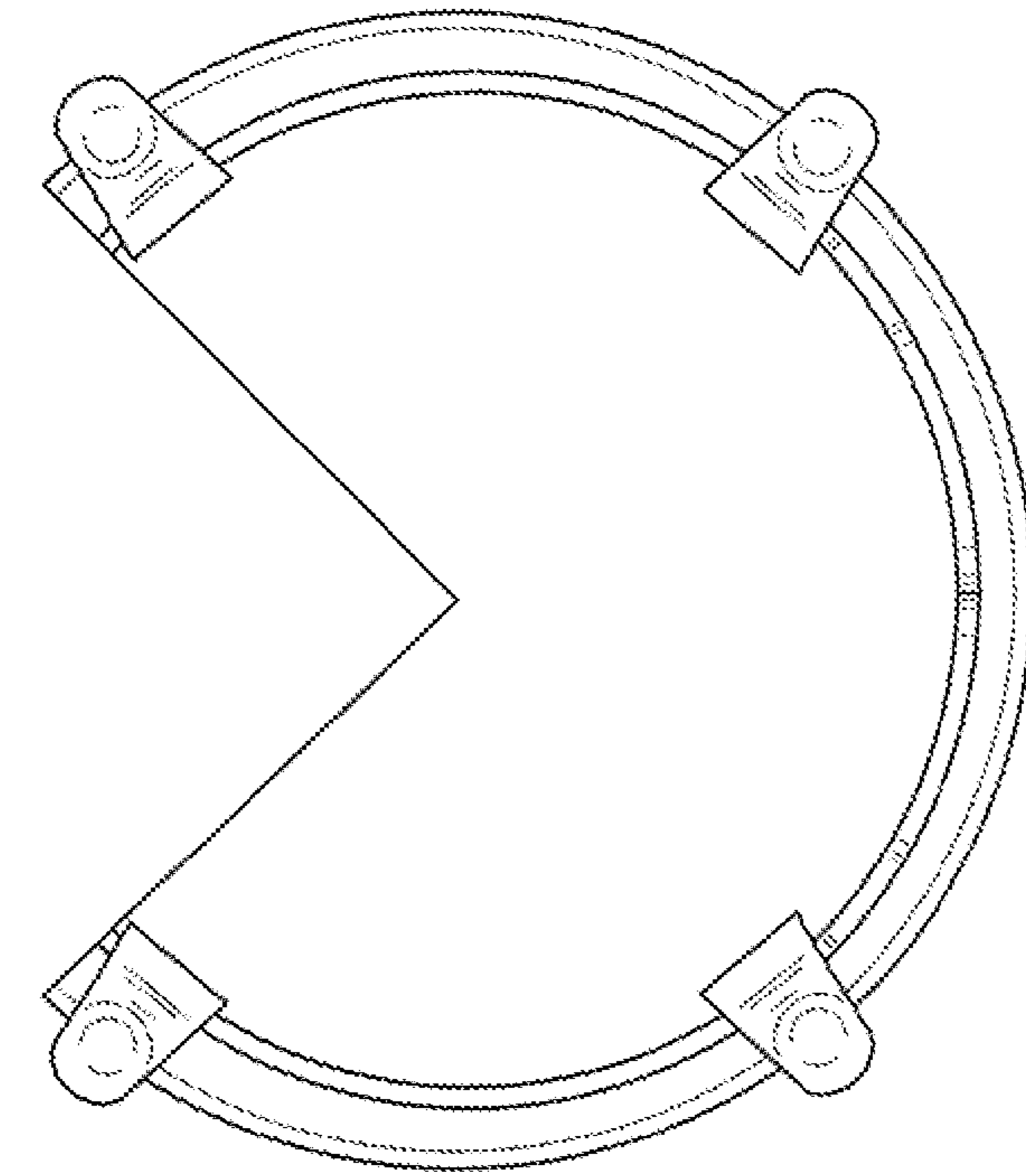


FIG. 13

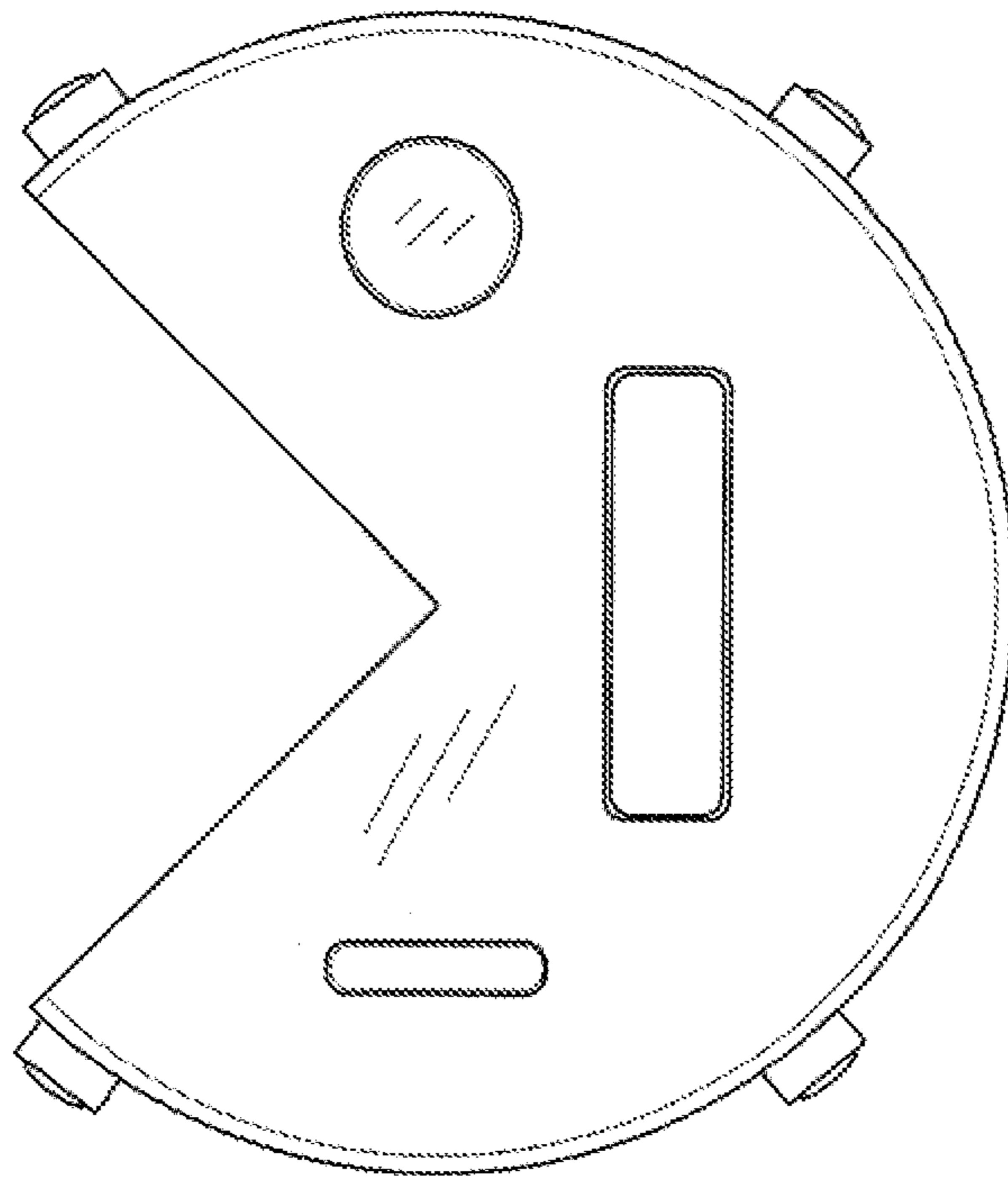


FIG. 14

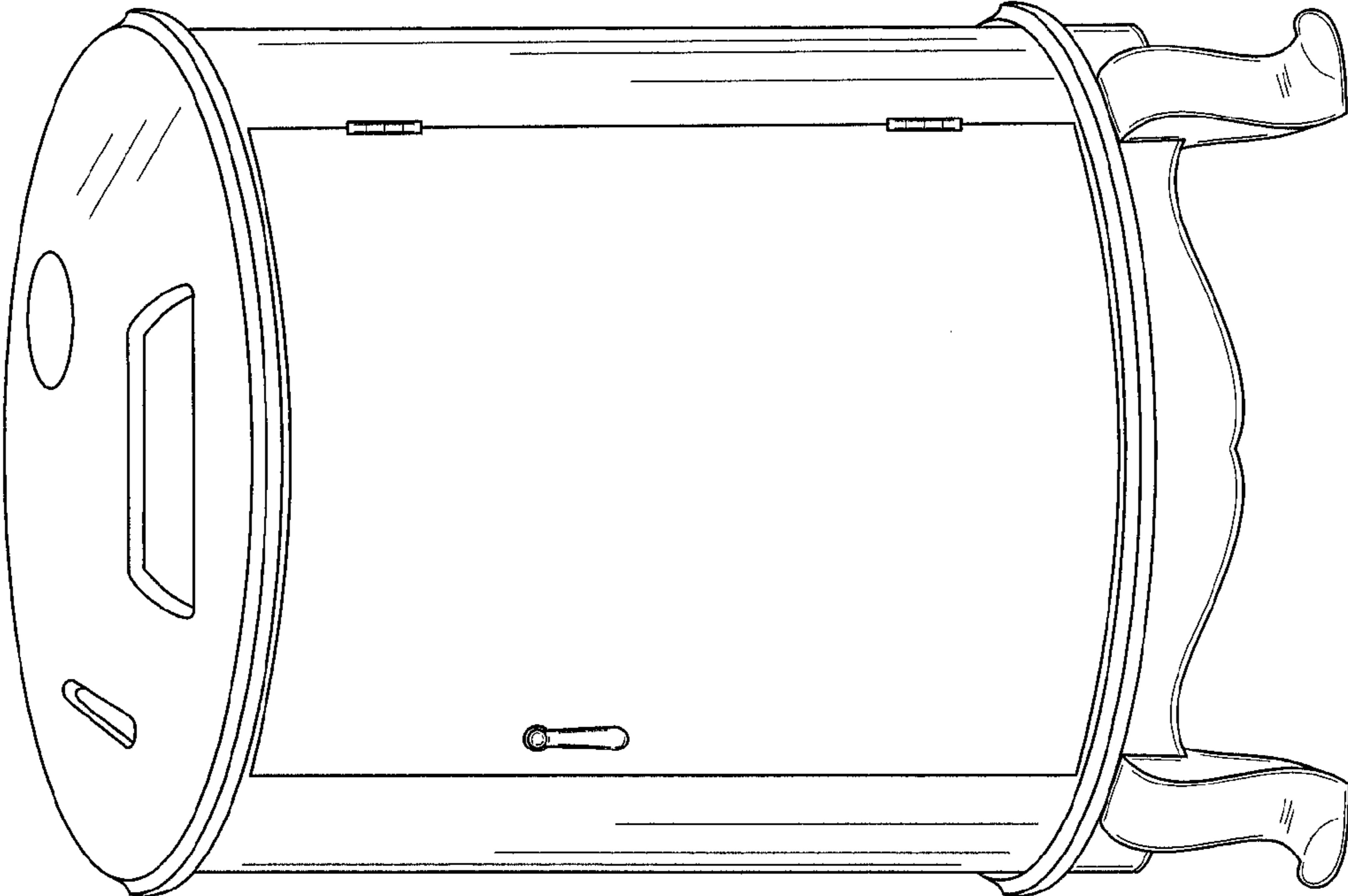


FIG. 15

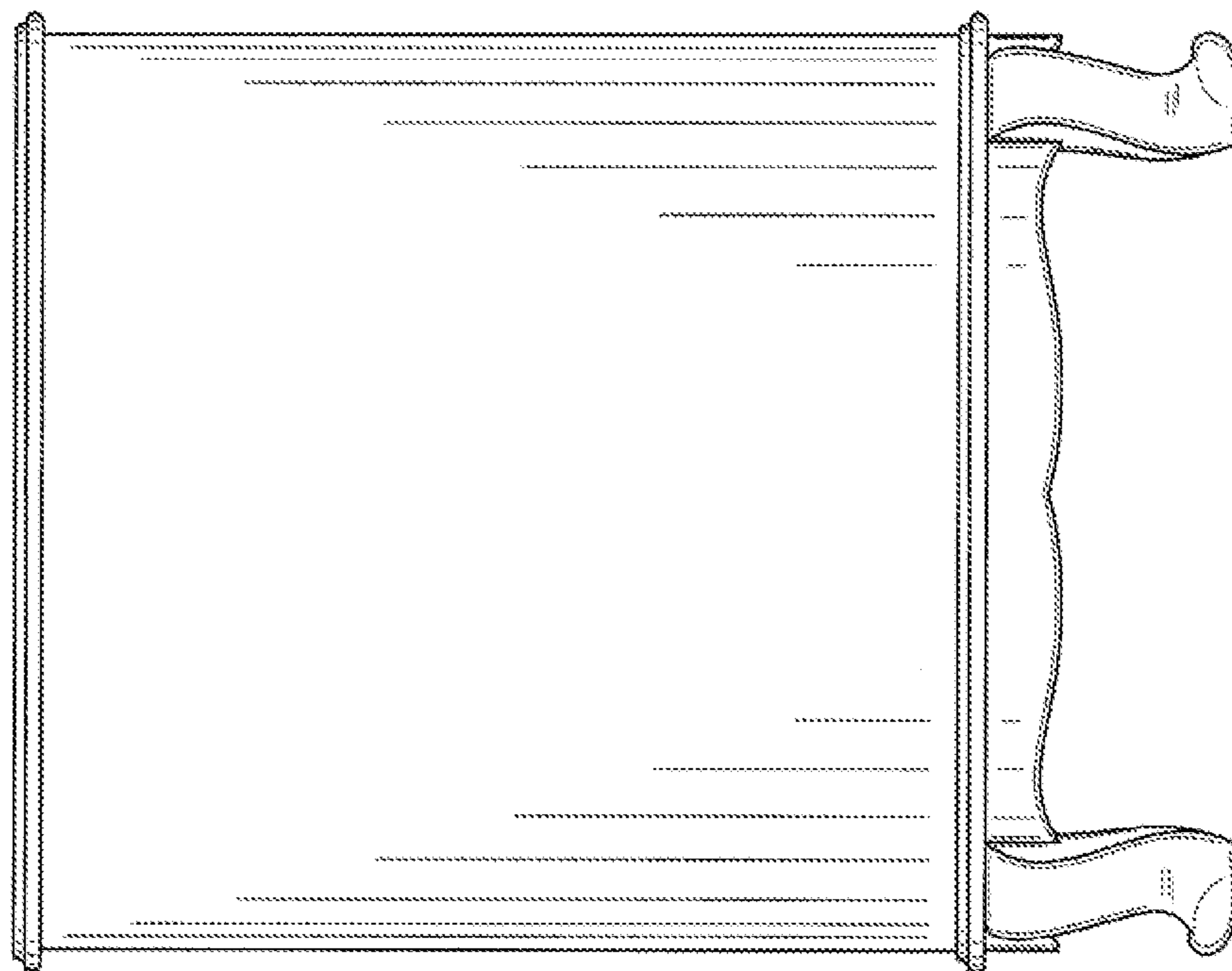


FIG. 17

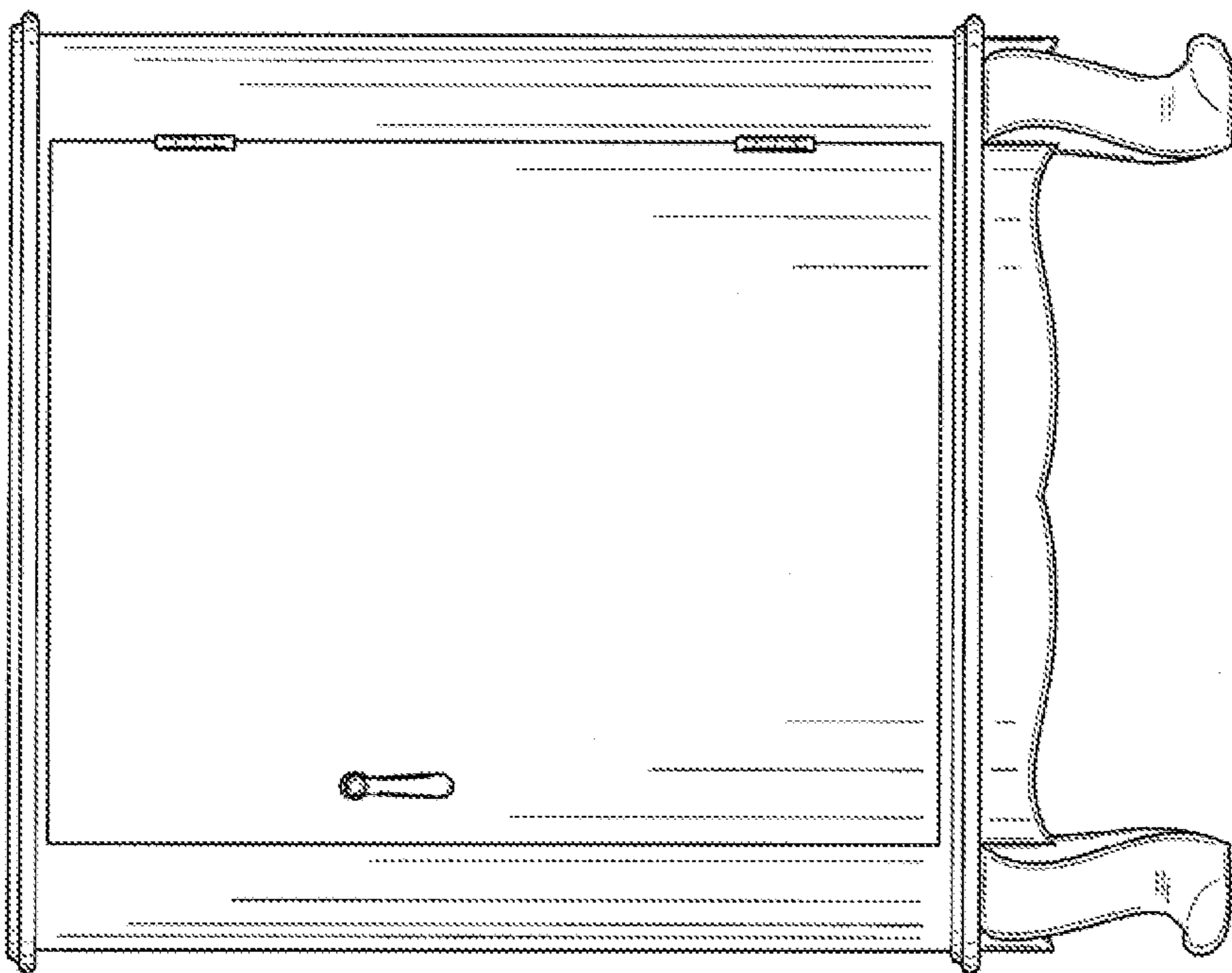


FIG. 16

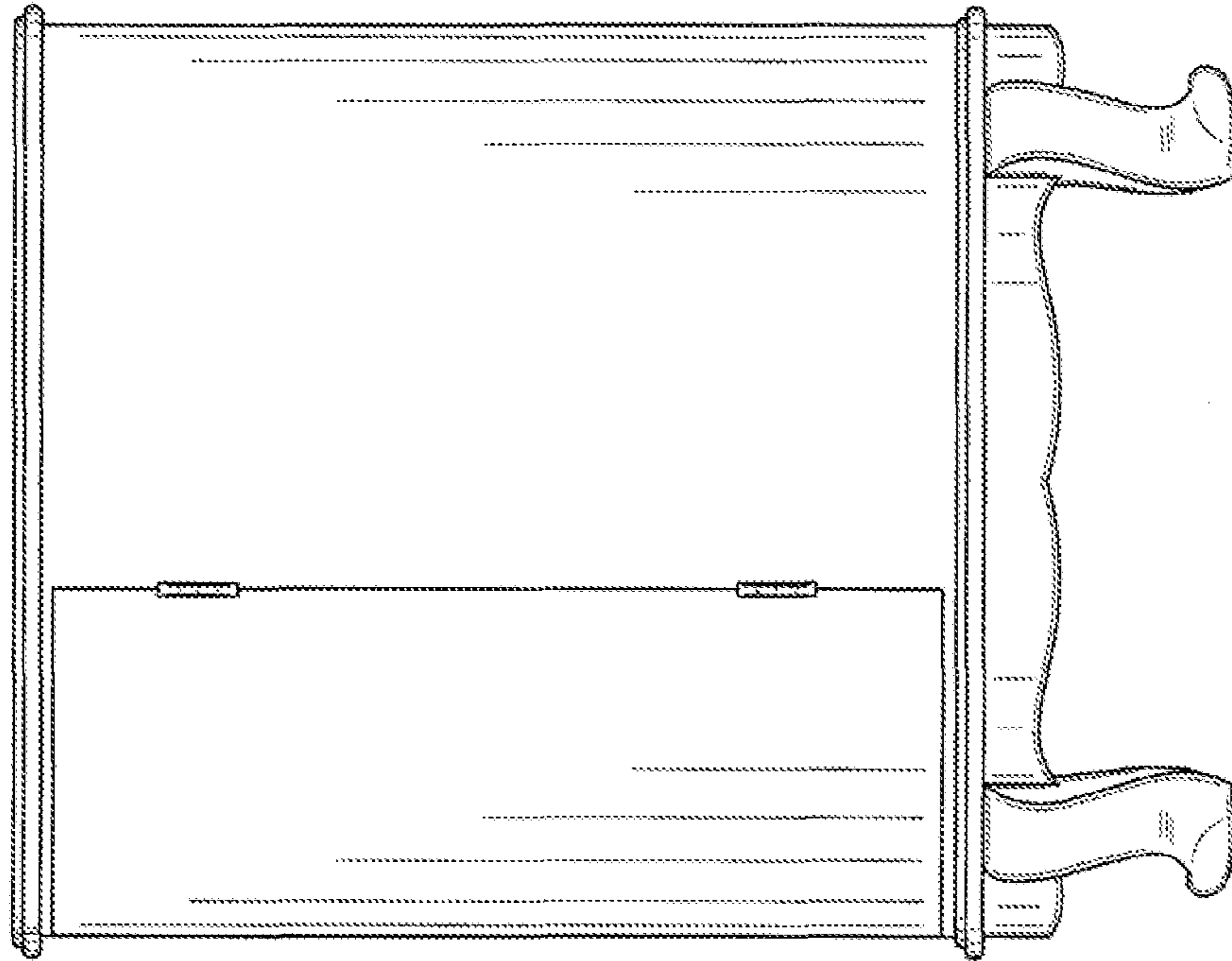


FIG. 19

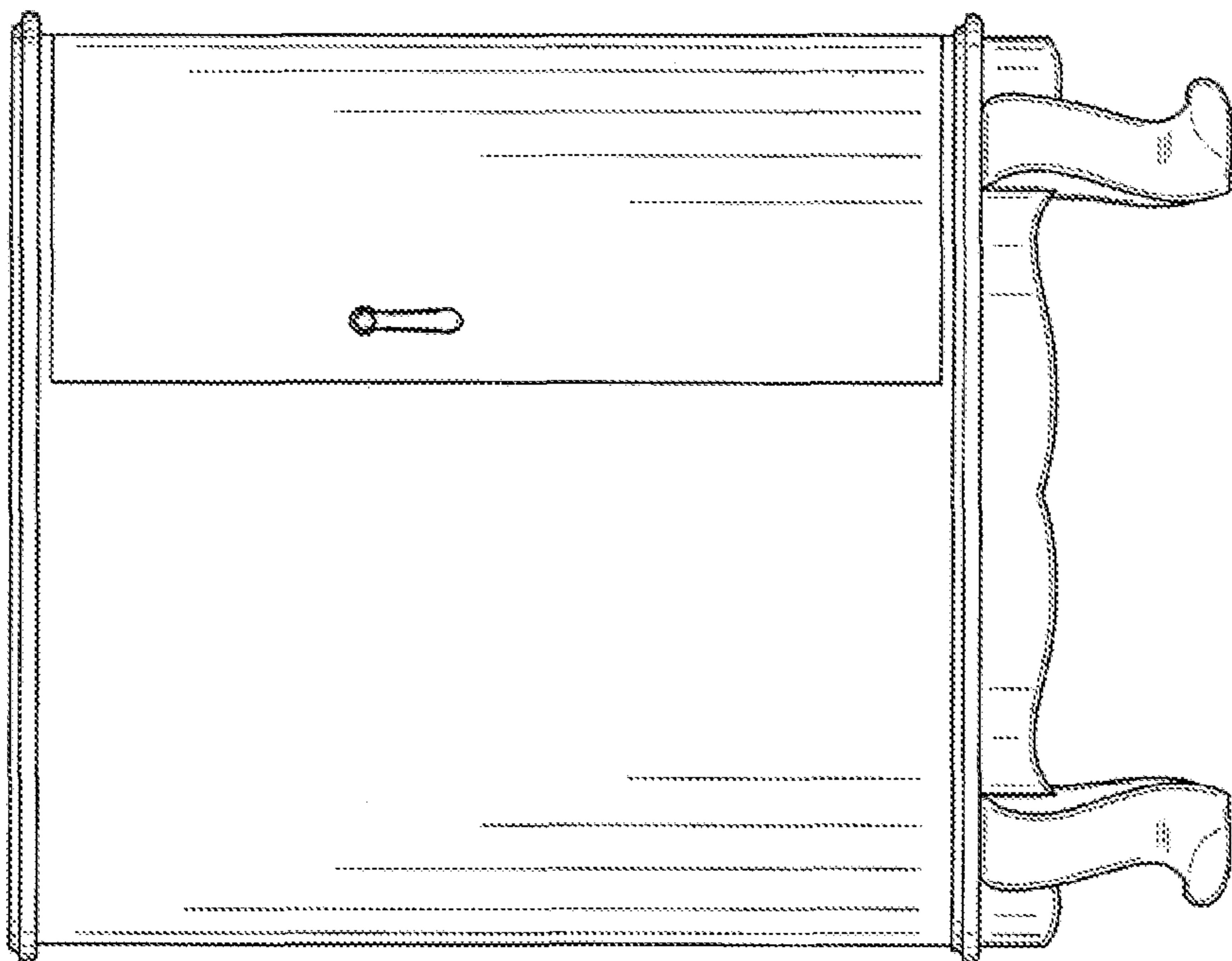


FIG. 18

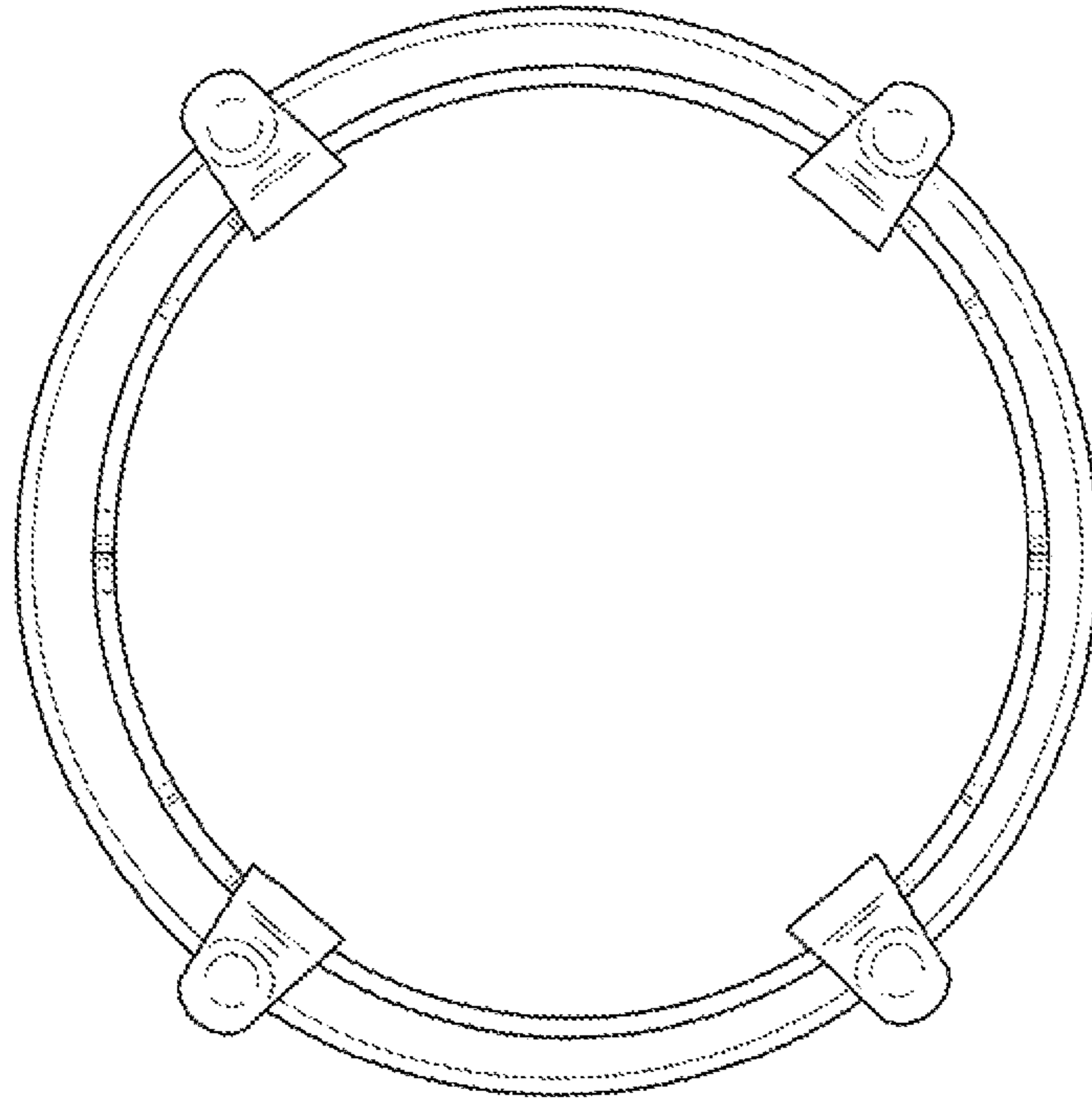


FIG. 21

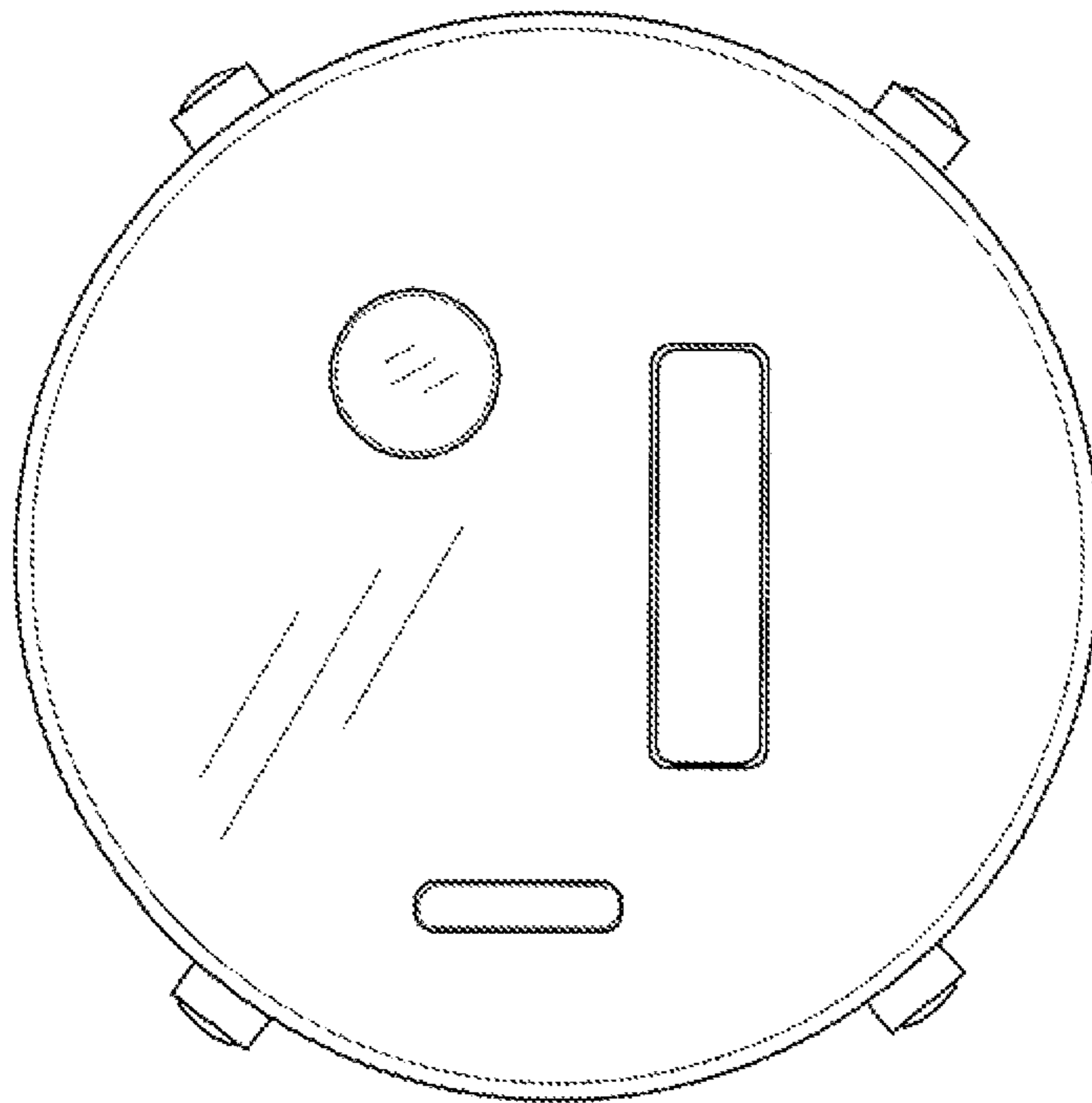


FIG. 20

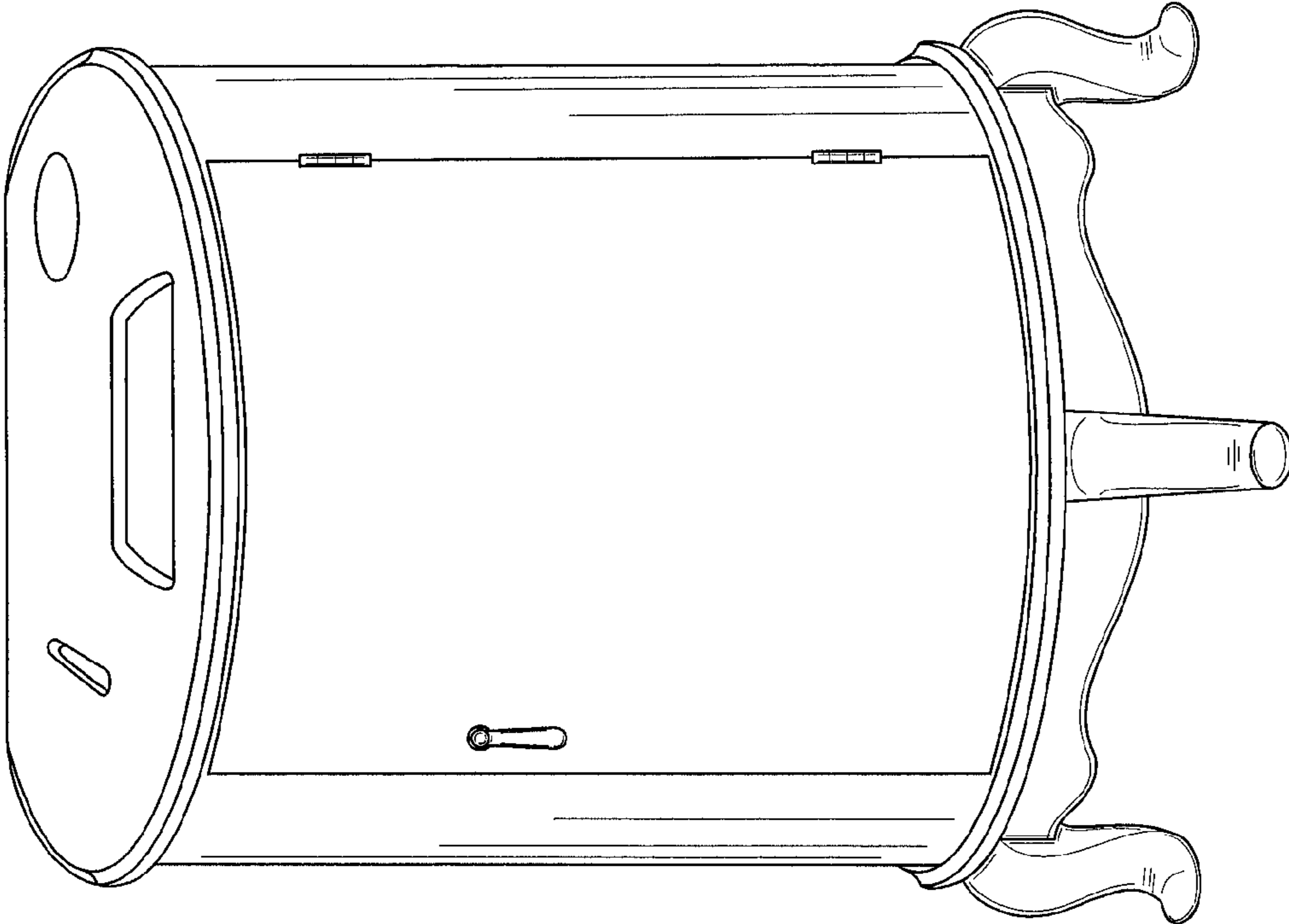


FIG. 22

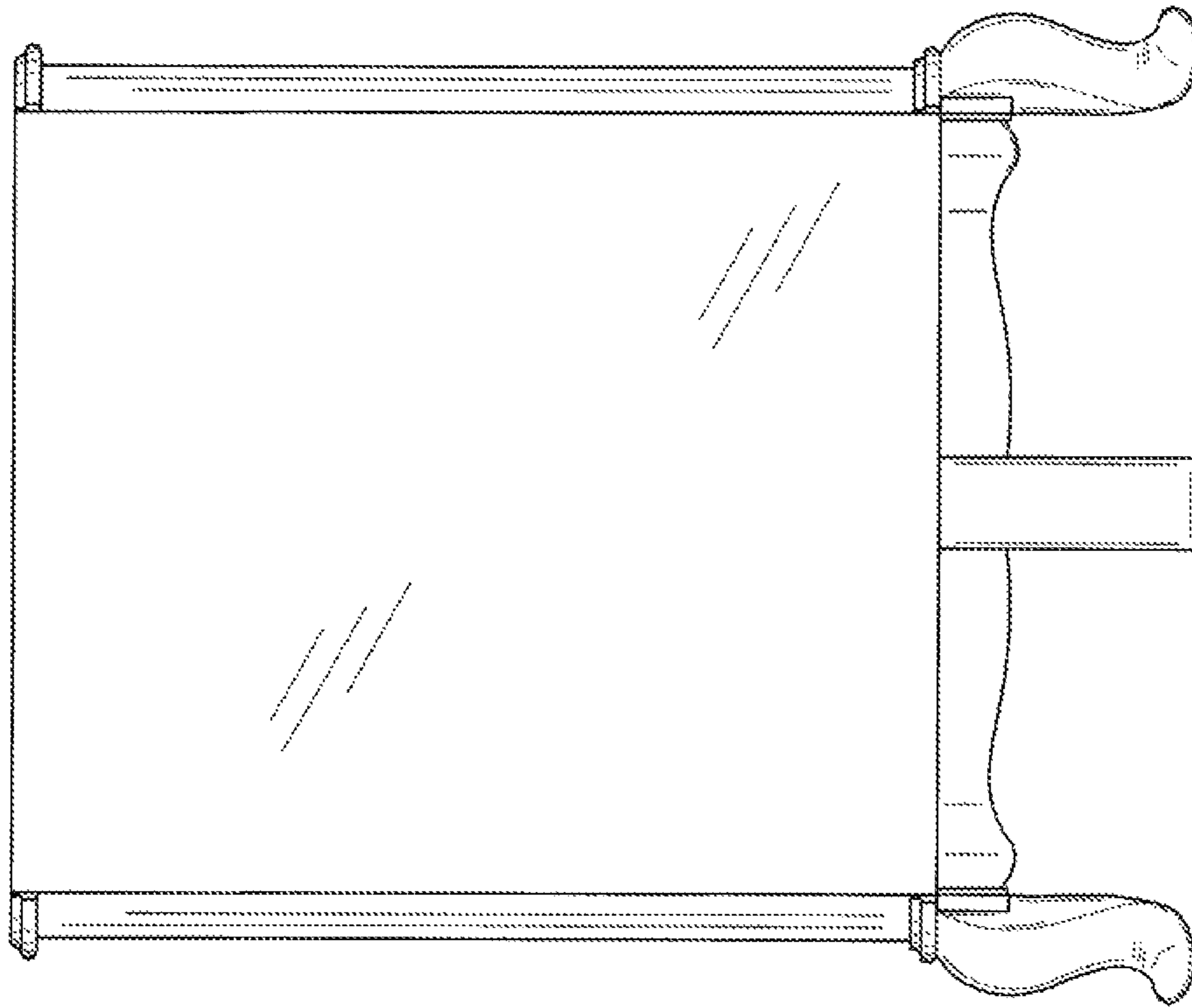


FIG. 24

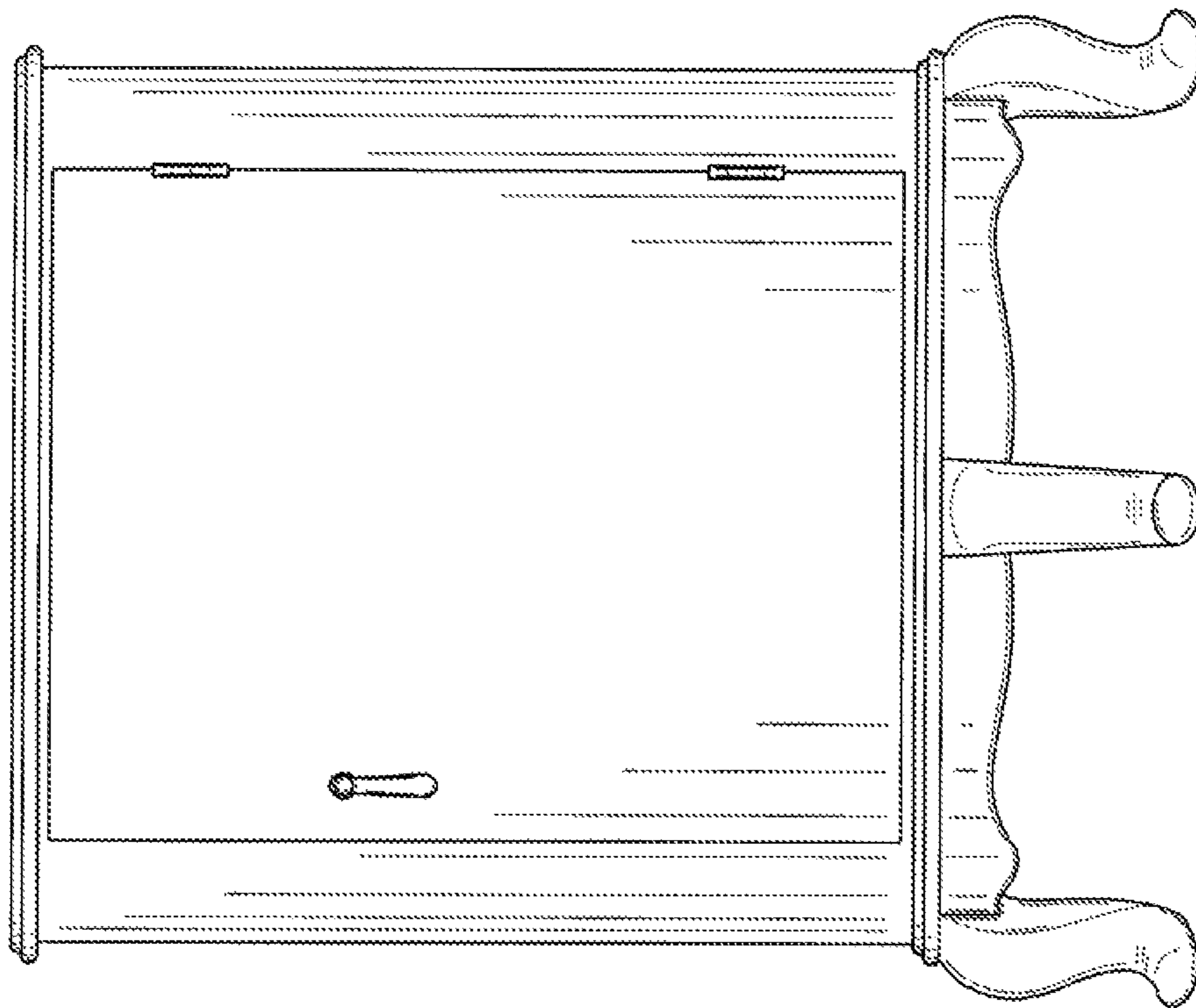


FIG. 23

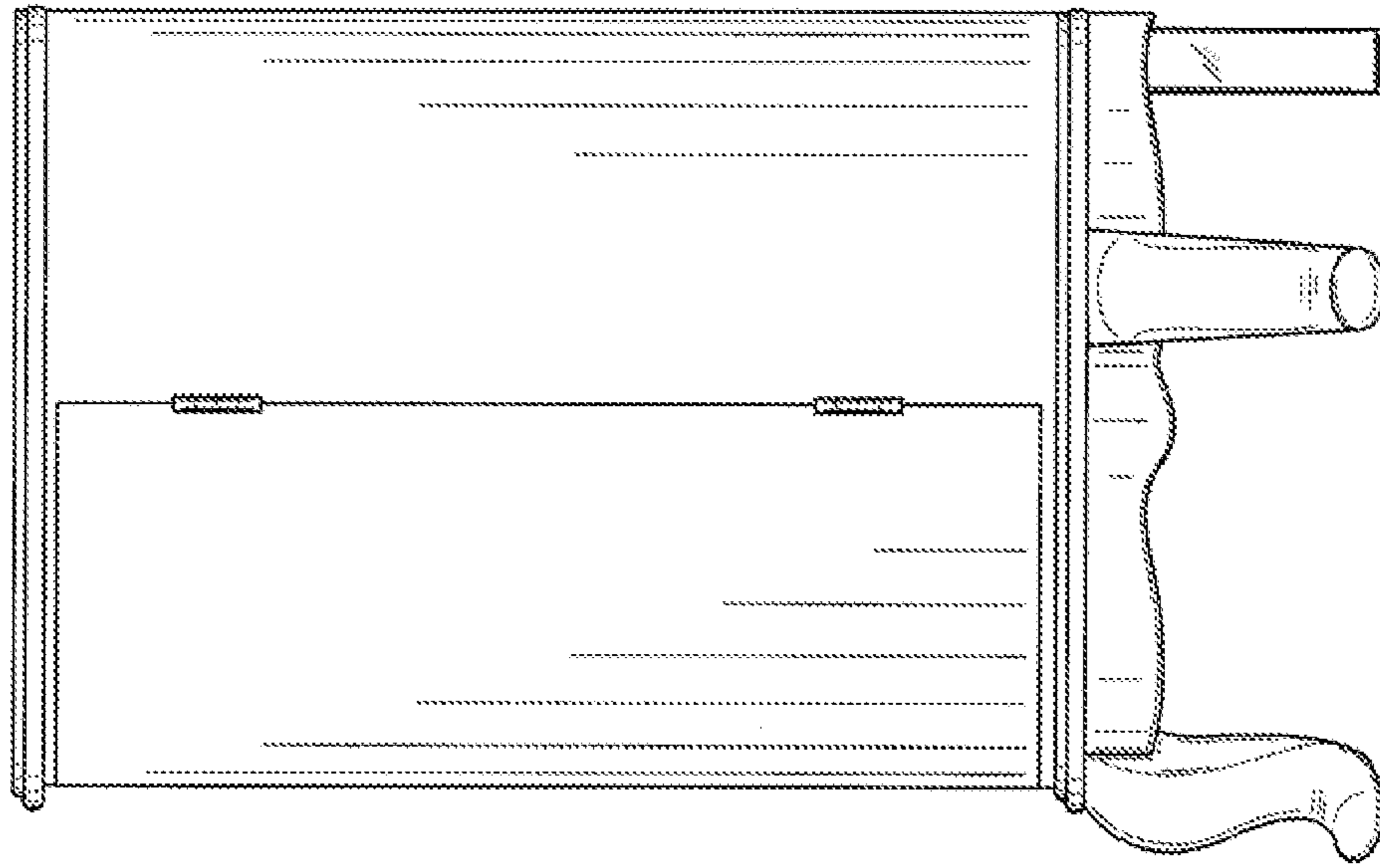


FIG. 26

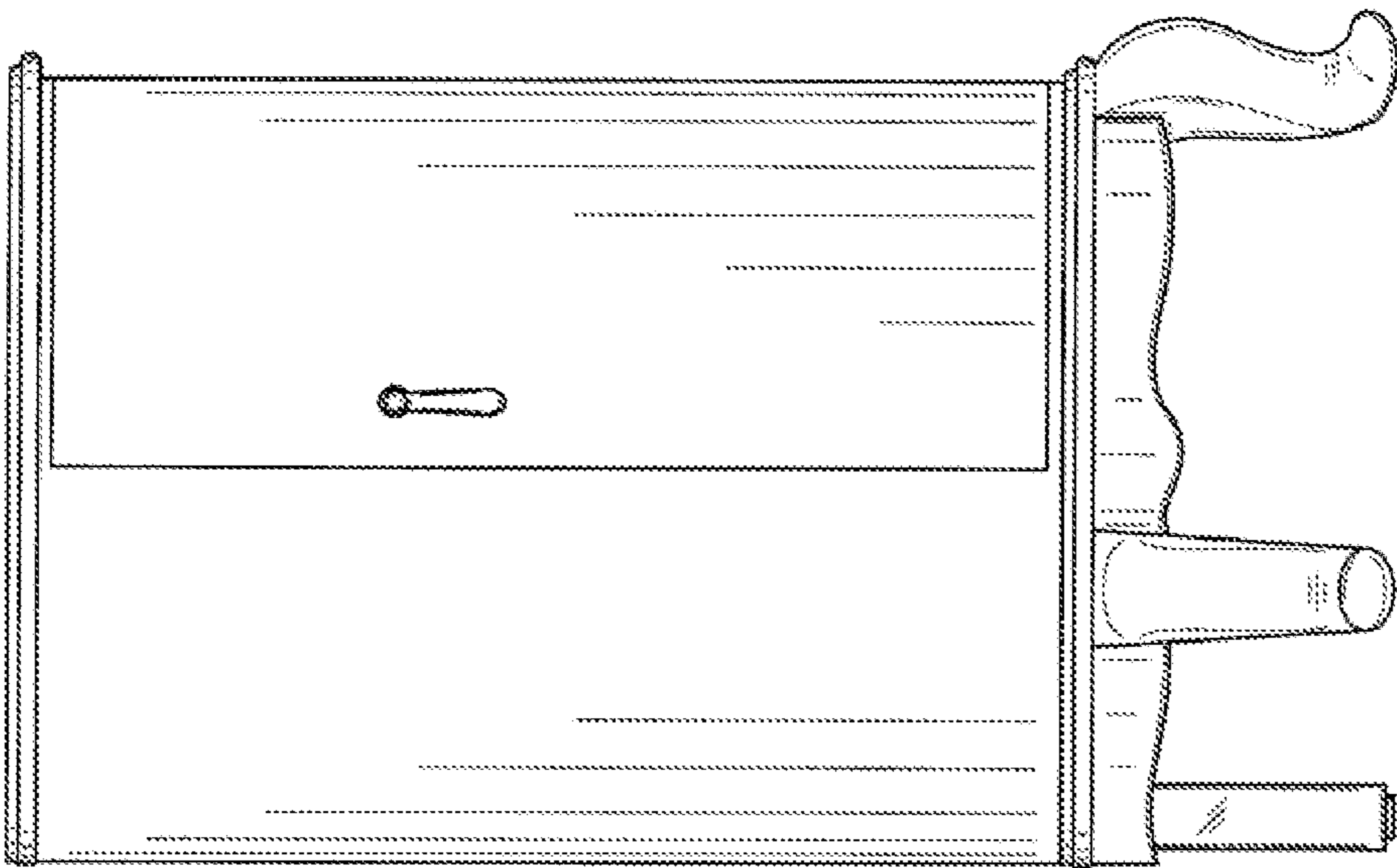


FIG. 25

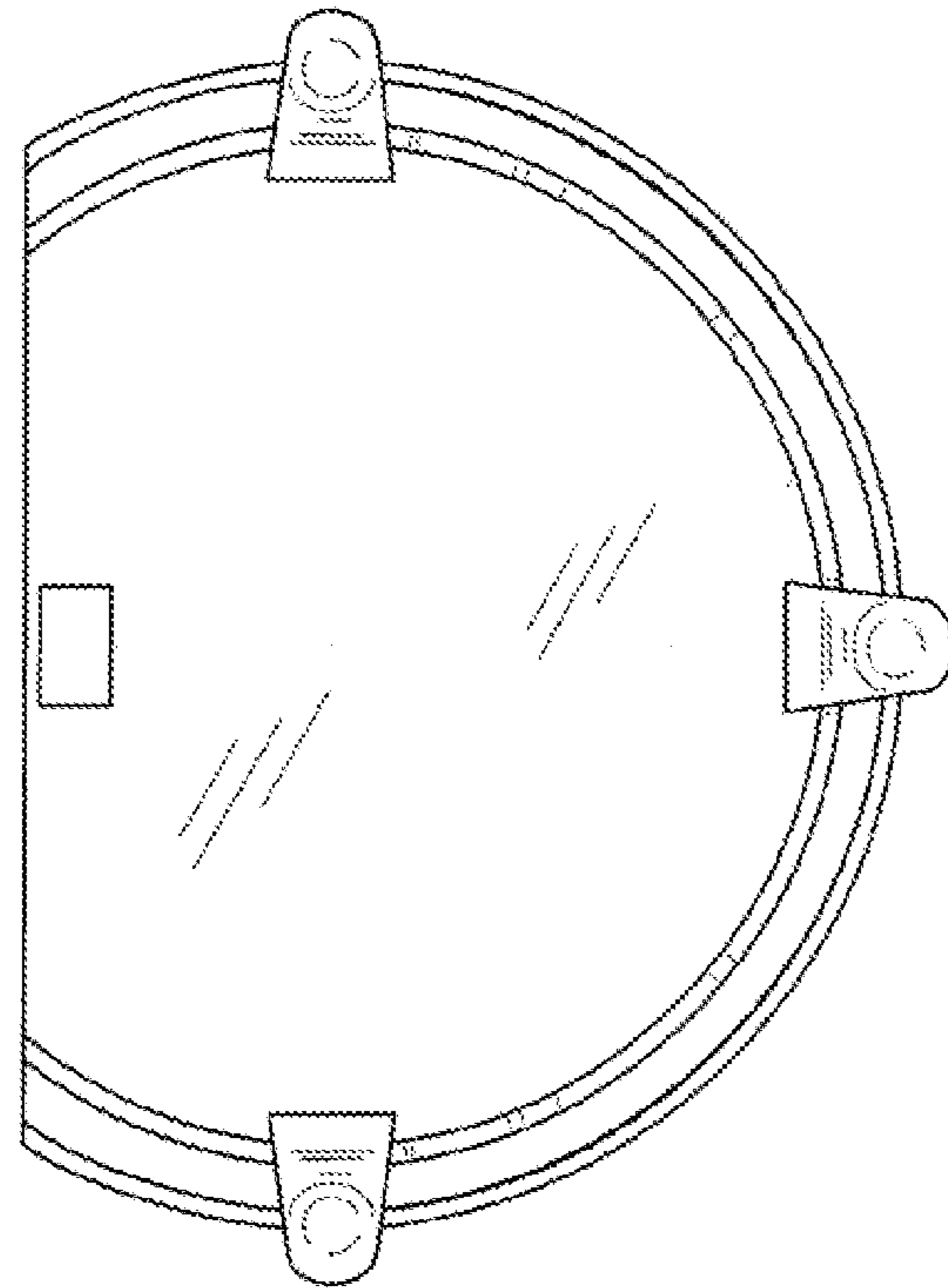


FIG. 28

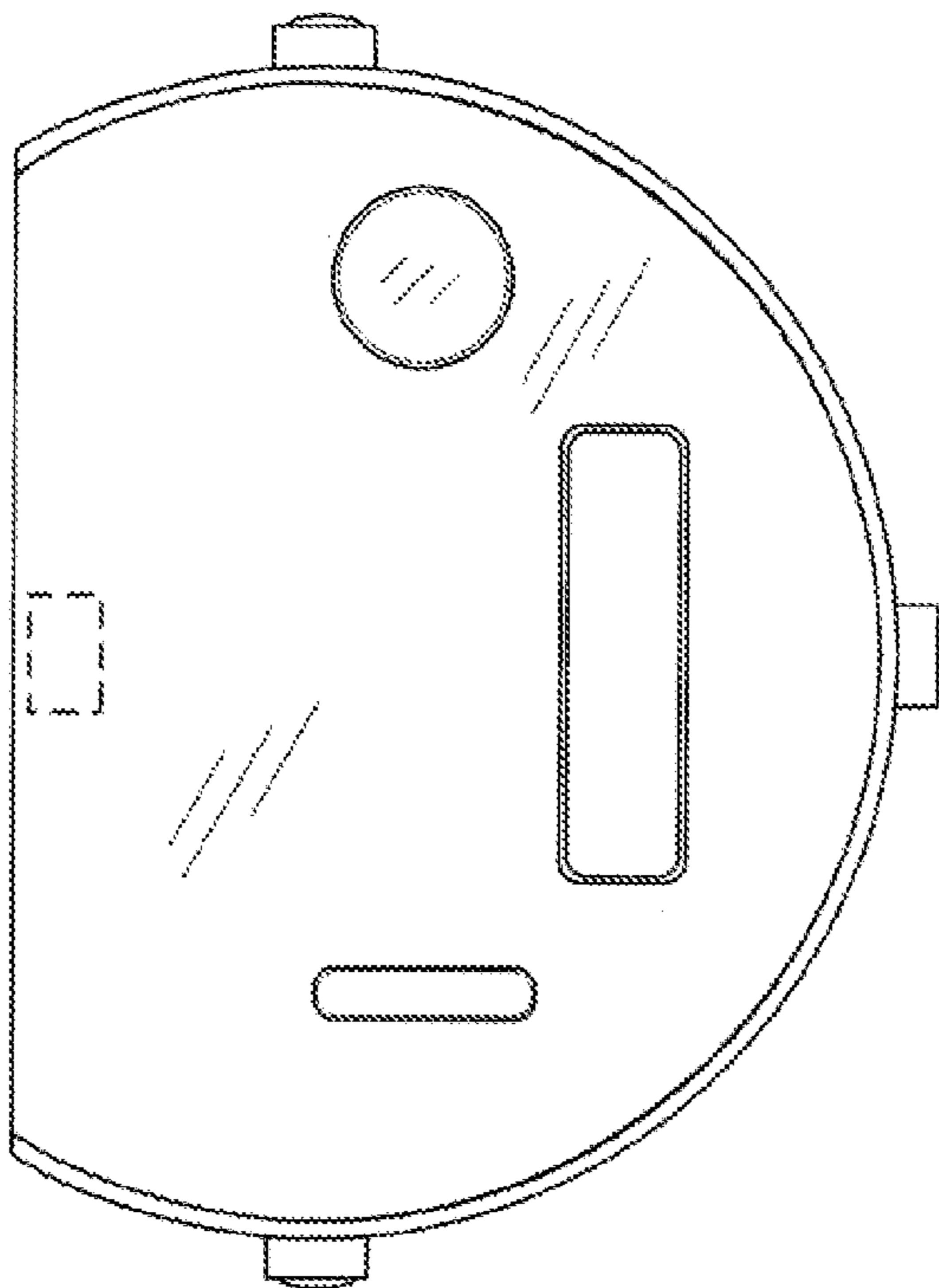


FIG. 27