



US00D639005S

(12) **United States Design Patent**
Luyckx

(10) **Patent No.:** **US D639,005 S**

(45) **Date of Patent:** **** May 31, 2011**

(54) **COMPACT RECHARGEABLE SWEEPER**

(75) Inventor: **Michael Luyckx**, Ada, MI (US)

(73) Assignee: **BISSELL Homecare, Inc.**, Grand Rapids, MI (US)

(**) Term: **14 Years**

(21) Appl. No.: **29/354,386**

(22) Filed: **Jan. 22, 2010**

(51) **LOC (9) Cl.** **15-05**

(52) **U.S. Cl.** **D32/38**

(58) **Field of Classification Search** D32/50,
D32/51, 38-45, 21, 22, 32, 33; 15/41.1,
15/42-46, 48, 48.1, 79.1, 49.1, 50.3, 415.1,
15/325; 16/DIG. 41

See application file for complete search history.

(56) **References Cited**

U.S. PATENT DOCUMENTS

D248,476 S *	7/1978	Haynes	D32/32
D263,236 S *	3/1982	Ueda	D32/32
4,397,058 A *	8/1983	Koland	15/325
D318,542 S *	7/1991	Funatsu et al.	D32/32
5,224,232 A *	7/1993	Zahuranec et al.	15/41.1
D381,780 S *	7/1997	Summers et al.	D32/33
D405,571 S *	2/1999	Gildersleeve	D32/32

5,920,939 A *	7/1999	Worwag	15/41.1
D418,267 S	12/1999	Lin	
D440,019 S *	4/2001	Mehaffey et al.	D32/32
D494,721 S *	8/2004	Kotani	D32/50
D501,283 S	1/2005	Carr et al.	
D549,410 S *	8/2007	Orak et al.	D32/38
D563,618 S *	3/2008	Jiang et al.	D32/50
7,665,172 B1 *	2/2010	Tran et al.	15/41.1

* cited by examiner

Primary Examiner — David G Muller

(74) *Attorney, Agent, or Firm* — McGarry Bair PC

(57) **CLAIM**

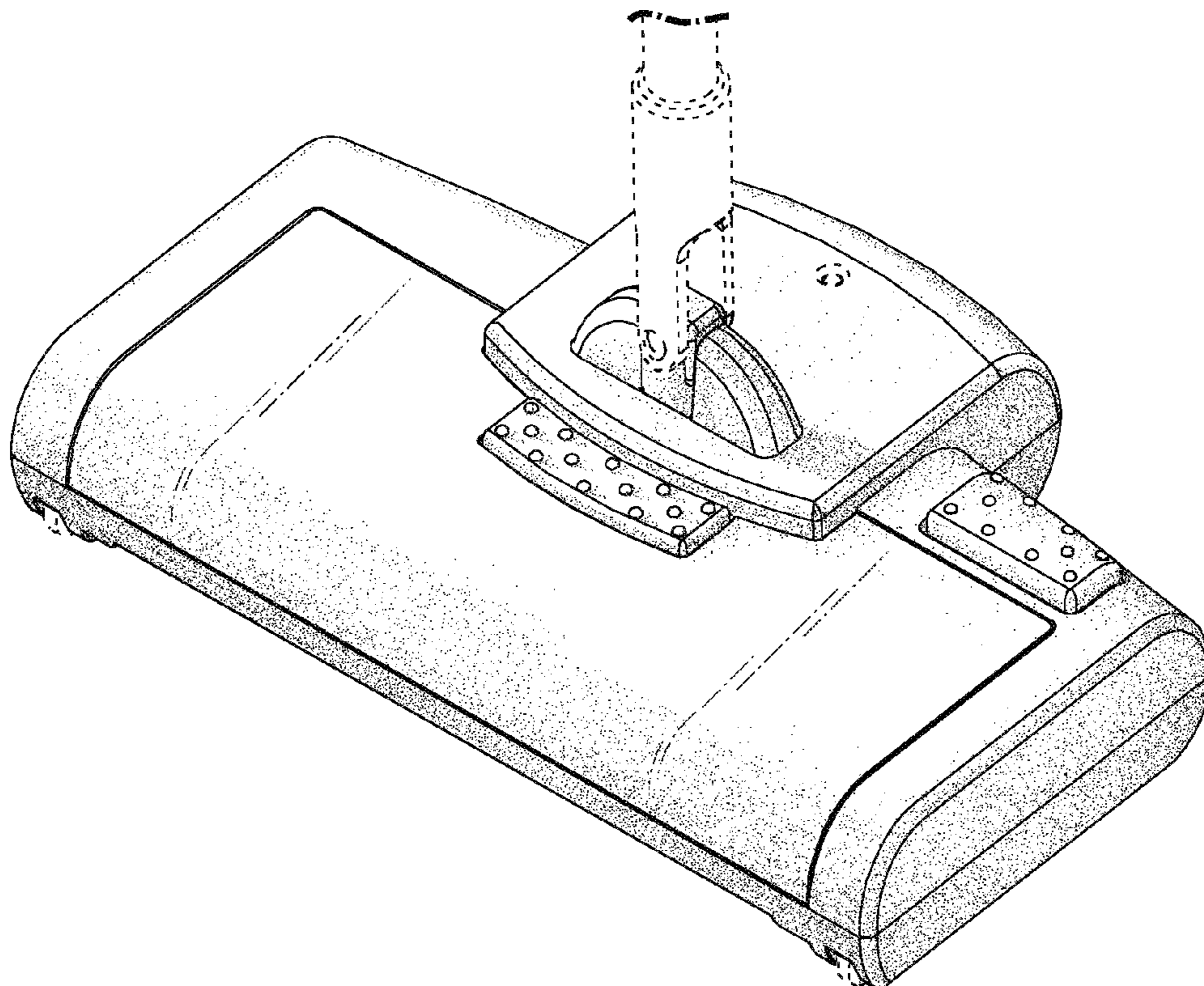
The ornamental design for a compact rechargeable sweeper, as shown and described.

DESCRIPTION

FIG. 1 is a front perspective view of a compact rechargeable sweeper which embodies our design; FIG. 2 is a front elevational view thereof; FIG. 3 is a rear elevational view thereof; FIG. 4 is a right side view thereof; FIG. 5 is a left side view thereof; FIG. 6 is a top plan view thereof; and, FIG. 7 is a bottom plan view thereof.

The material in dotted lines forms no part of my design.

1 Claim, 4 Drawing Sheets



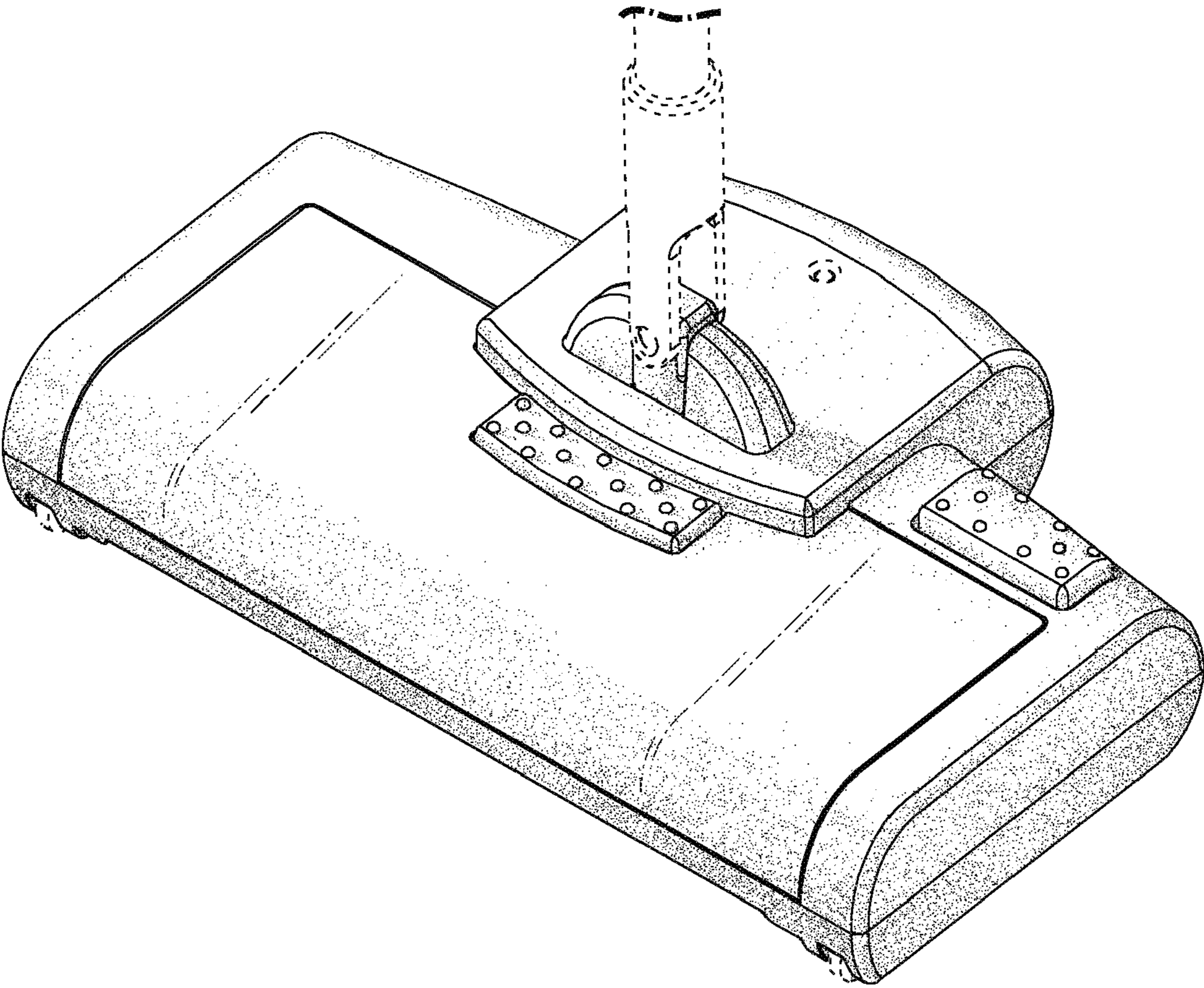


Fig. 1

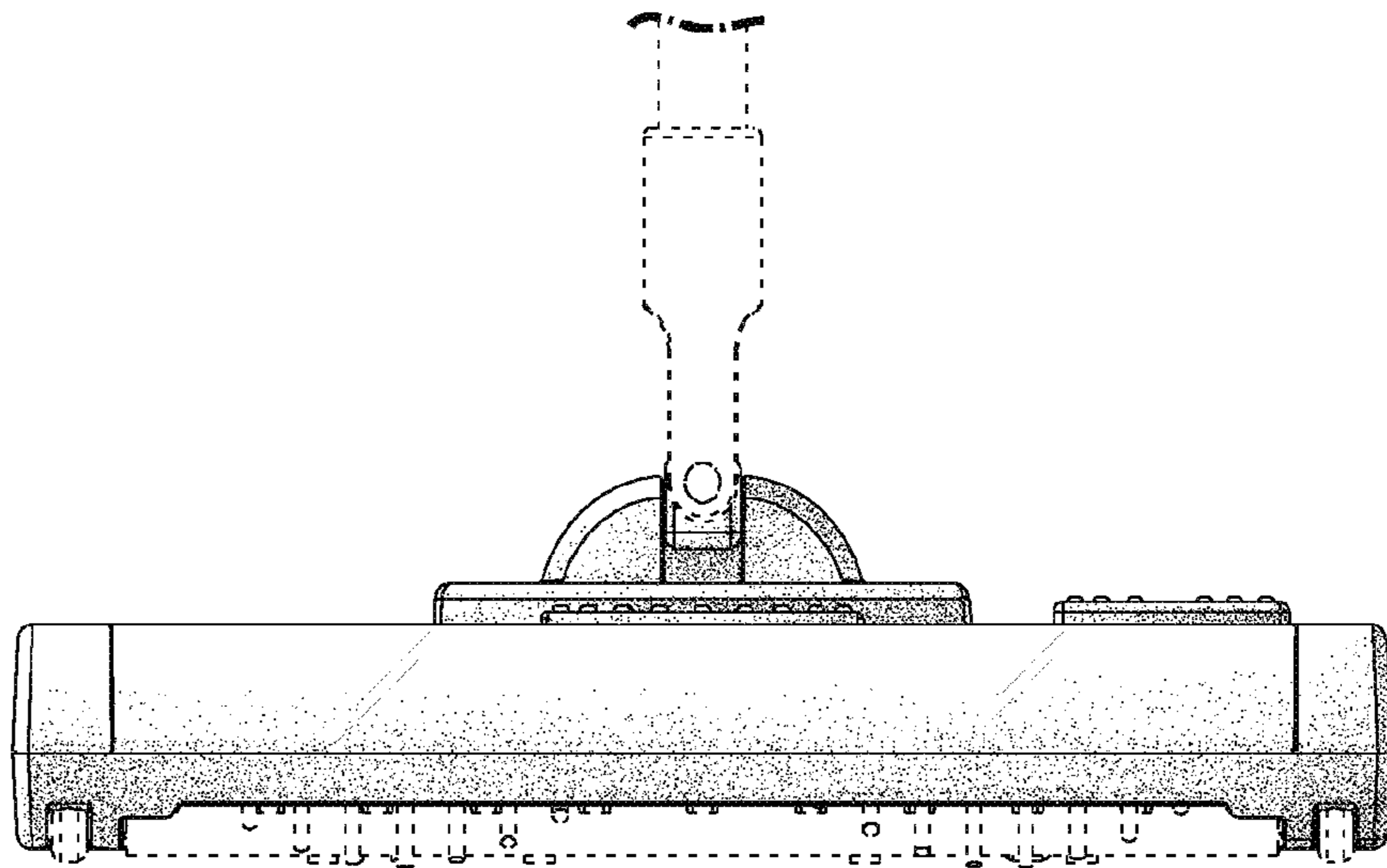


Fig. 2

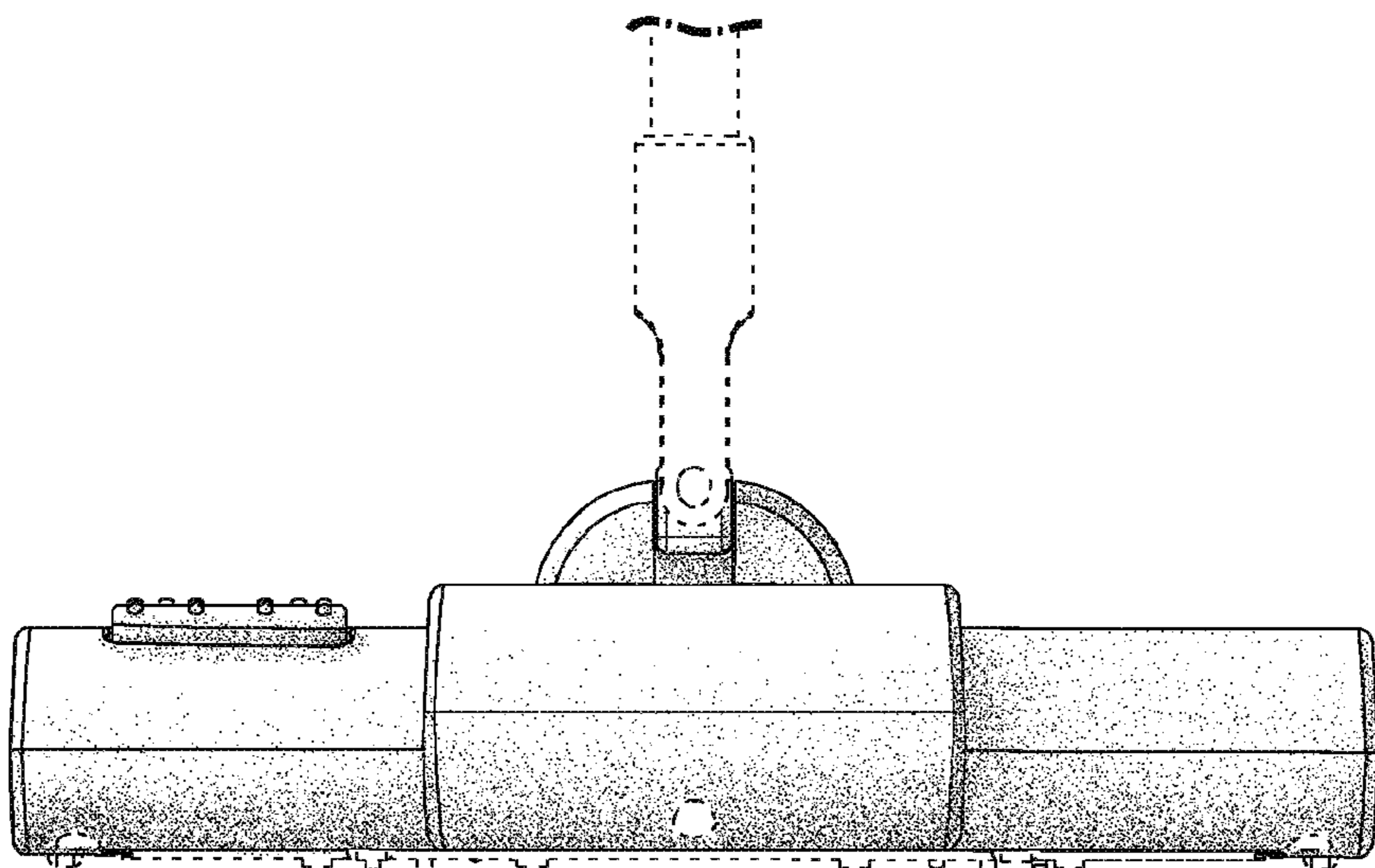


Fig. 3

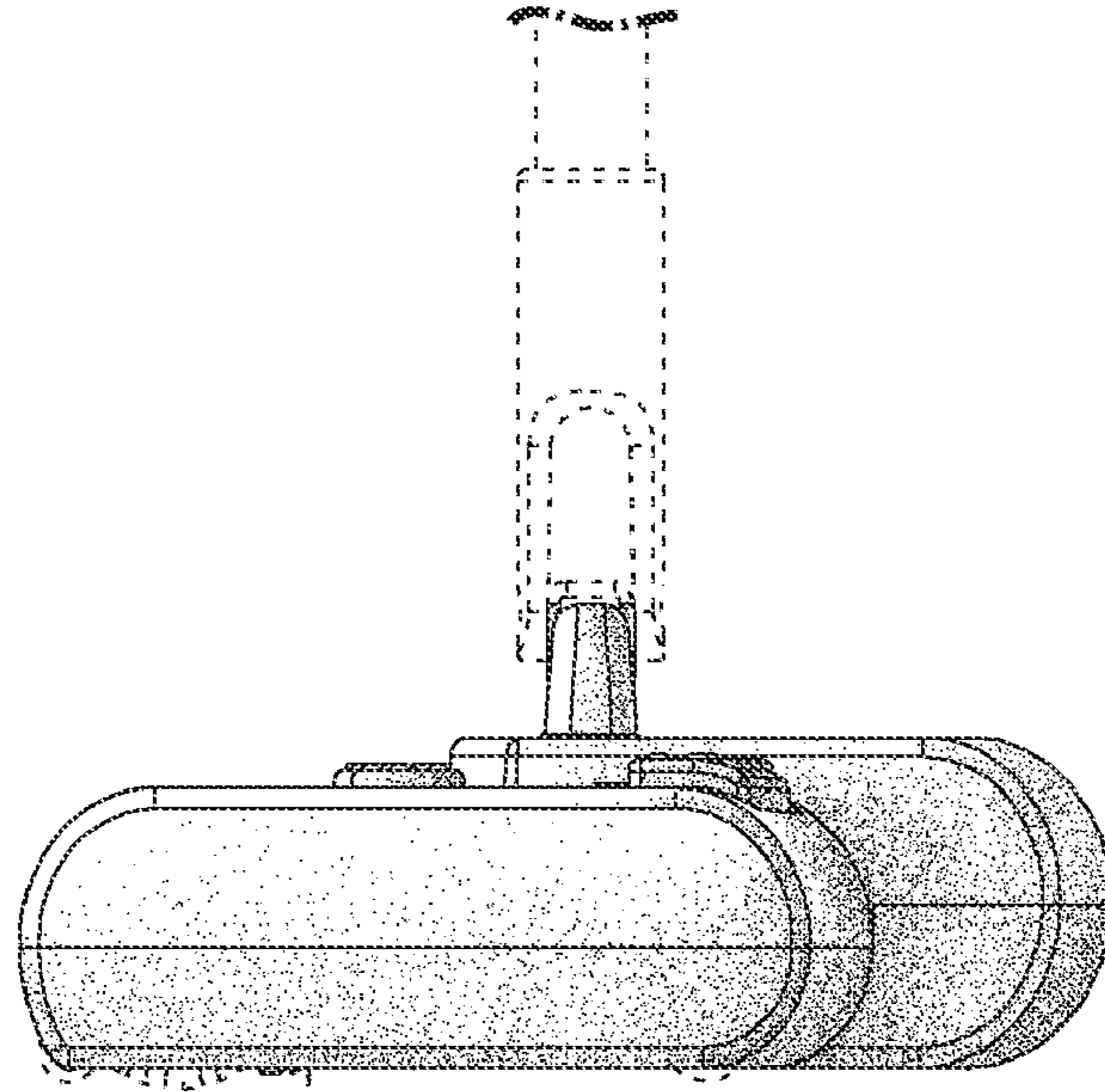


Fig. 4

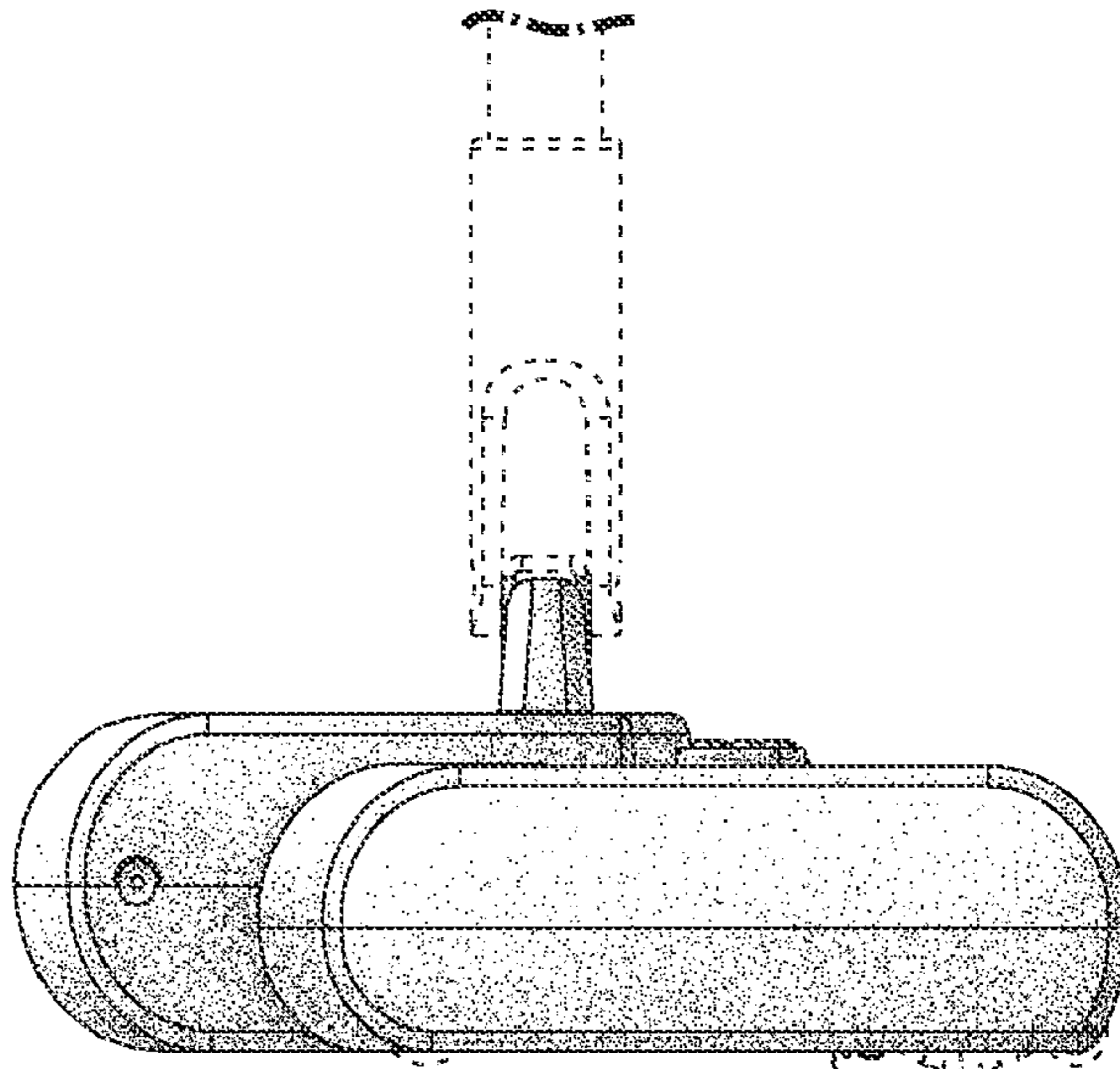


Fig. 5

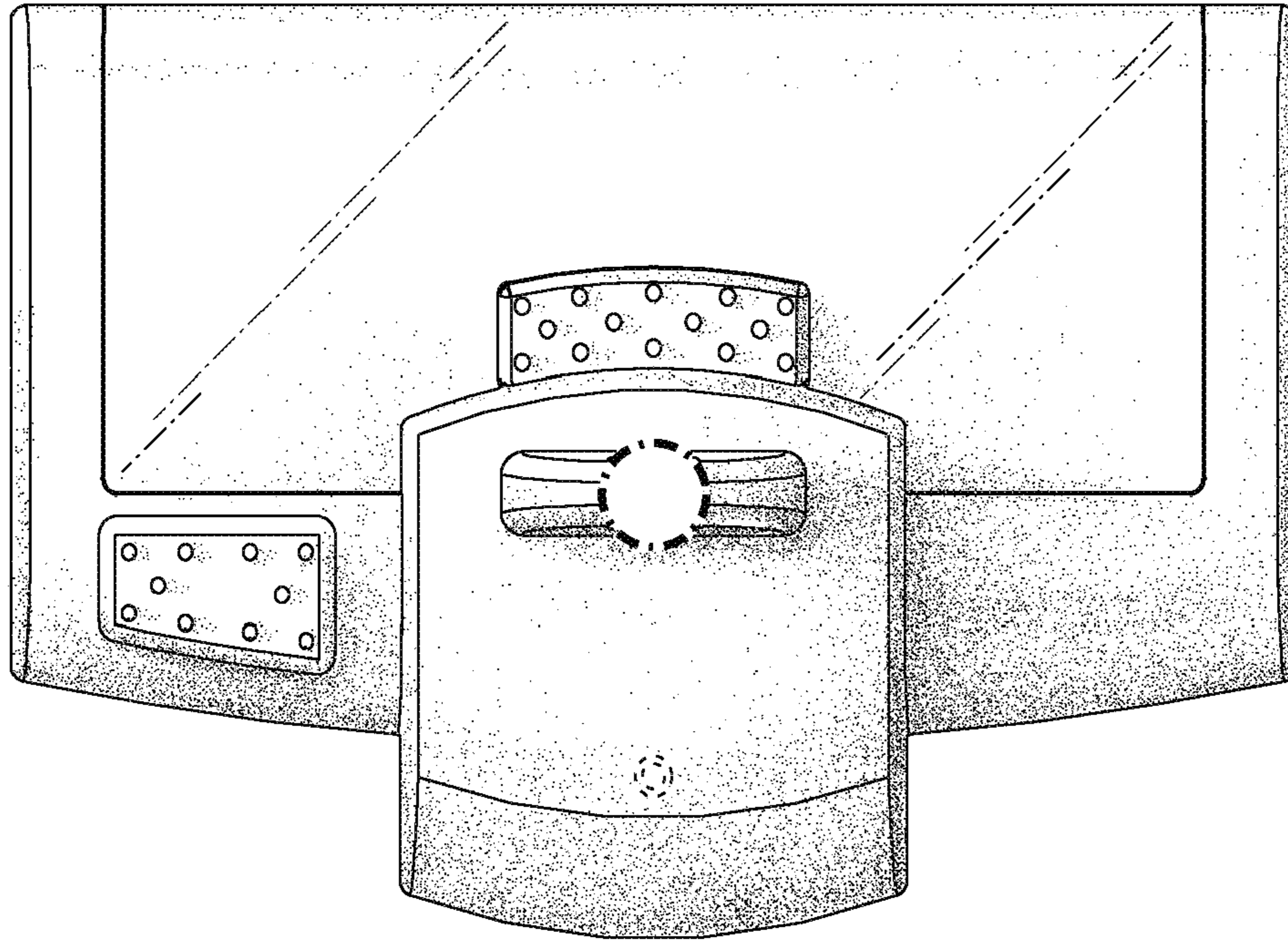


Fig. 6

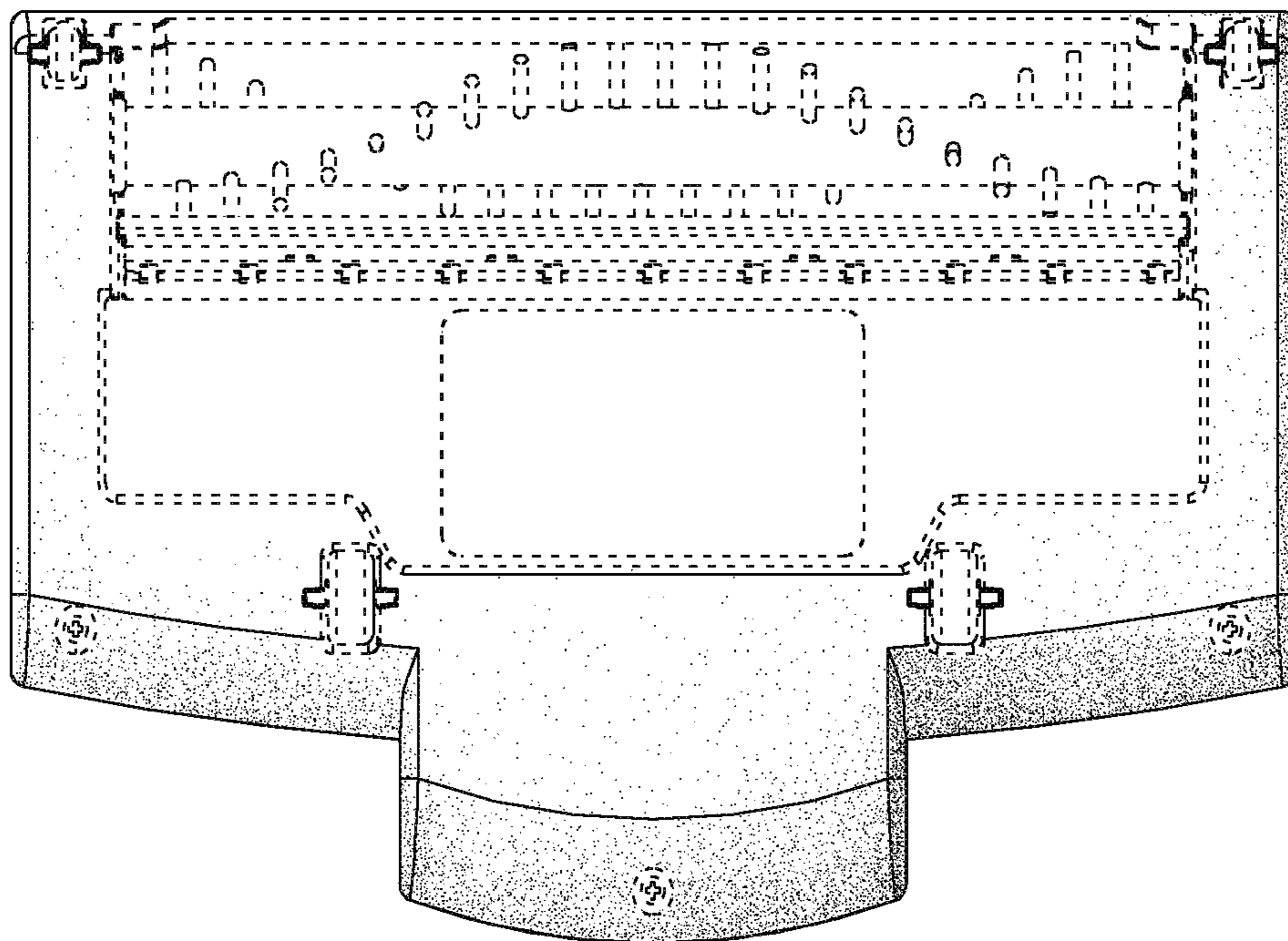


Fig. 7