



US00D639003S

(12) **United States Design Patent**
Dunn et al.

(10) **Patent No.:** **US D639,003 S**
(45) **Date of Patent:** **** May 31, 2011**

(54) **DIAPER PAIL BAG**

(75) Inventors: **Steven B. Dunn**, Beverly Hills, CA (US); **Mark A. Hatherill**, Beverly Hills, CA (US); **Kevin D. Johnson**, Tarzana, CA (US)

(73) Assignee: **Munchkin, Inc.**, North Hills, CA (US)

(**) Term: **14 Years**

(21) Appl. No.: **29/346,336**

(22) Filed: **Oct. 30, 2009**

(51) **LOC (9) Cl.** **07-07**

(52) **U.S. Cl.** **D32/37**

(58) **Field of Classification Search** D3/303,
D3/304, 201, 287; D9/702-706, 720, 724,
D9/734, 414, 424, 430-432, 907; D32/37;
150/107; 222/478; 4/484; 383/34, 35, 906
See application file for complete search history.

(56) **References Cited**

U.S. PATENT DOCUMENTS

1,633 A	6/1840	Sellers et al.
18,046 A	8/1857	Hinckley
111,521 A	2/1871	Dodge
293,459 A	2/1884	Hawn
428,228 A	5/1890	Price
459,875 A	9/1891	Locke
471,433 A	3/1892	Rice
503,113 A	8/1893	Osterloh
627,434 A	6/1899	Miller
685,179 A	10/1901	Seebers
859,497 A	7/1907	Hood
860,183 A	7/1907	Barr
1,719,185 A	7/1929	Lowy
2,271,918 A	2/1942	Glowka
2,352,503 A	6/1944	Walton
2,610,432 A	9/1952	Ambrose
3,086,674 A	4/1963	Scheuerman
3,214,065 A	10/1965	Thornton
3,310,224 A	3/1967	Laguerre

3,536,192 A	10/1970	Couper
3,619,822 A	11/1971	Carmichael
3,772,712 A	11/1973	Renn et al.
3,779,157 A	12/1973	Ross, Jr. et al.
3,908,336 A	9/1975	Forslund
D238,324 S *	1/1976	Jackson D32/37

(Continued)

FOREIGN PATENT DOCUMENTS

DE 202005015117 2/2007
(Continued)

OTHER PUBLICATIONS

Copending U.S. Appl. No. 12/172,715, filed Jul. 14, 2008 entitled "Waste Disposal Devices".

(Continued)

Primary Examiner — Nanda Bondade
(74) *Attorney, Agent, or Firm* — Knoble Yoshida Dunleavy, LLC

(57) **CLAIM**

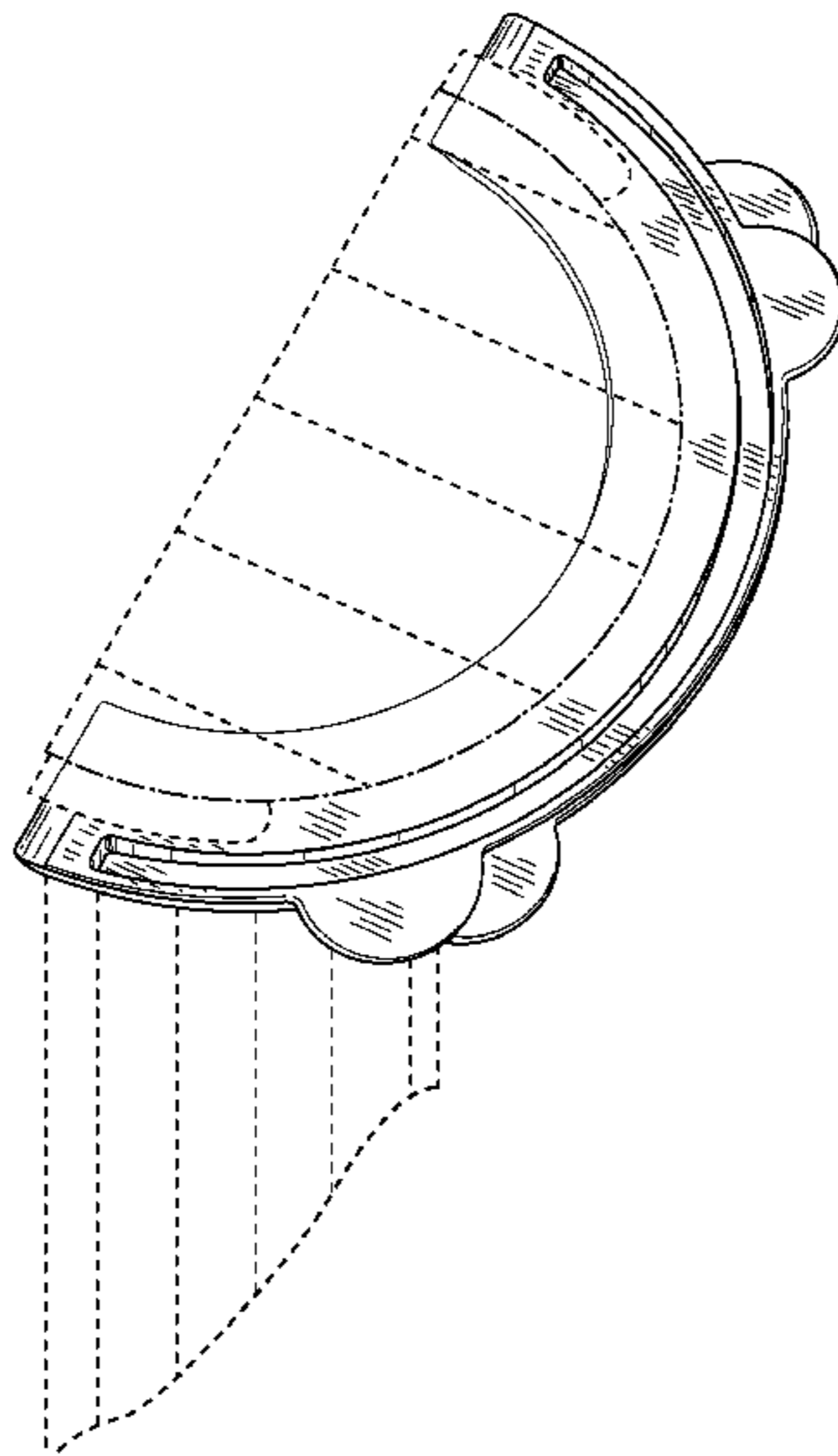
The ornamental design for a diaper pail bag, as shown and described.

DESCRIPTION

FIG. 1 is a perspective view showing our new design;
FIG. 2 is a bottom plan view;
FIG. 3 is a top plan view;
FIG. 4 is a first side elevational view;
FIG. 5 is a second side elevational view;
FIG. 6 is a front elevational view; and,
FIG. 7 is a rear elevational view.

The even broken lines showing on the drawing disclosure is for illustrative purposes only and forms no part of the claimed design and the dash dot lines which define the bounds of the claimed design form no part thereof.

1 Claim, 6 Drawing Sheets



US D639,003 S

Page 2

U.S. PATENT DOCUMENTS

3,959,947 A	6/1976	Sonnino	6,129,716 A	10/2000	Steer
4,162,602 A	7/1979	Achelpohl et al.	6,141,945 A	11/2000	Becher
4,175,603 A	11/1979	Iaboni et al.	6,147,167 A	11/2000	Mack et al.
4,303,710 A	12/1981	Bullard et al.	6,164,442 A	12/2000	Stravitz
4,349,123 A	9/1982	Yang	6,164,821 A	12/2000	Randall
4,427,110 A	1/1984	Shaw, Jr.	6,170,240 B1	1/2001	Jacoby et al.
4,437,575 A	3/1984	Hahn	6,174,990 B1	1/2001	Noda
D274,462 S	6/1984	Rakocy et al.	6,199,220 B1	3/2001	Smith
4,561,563 A	12/1985	Woods	6,202,877 B1	3/2001	La Torre et al.
4,617,230 A	10/1986	Shah et al.	6,258,423 B1	7/2001	Giori
4,637,061 A	1/1987	Riese	6,296,388 B1	10/2001	Galomb et al.
4,687,711 A	8/1987	Vietto et al.	6,303,220 B1	10/2001	Minamoto et al.
4,724,185 A	2/1988	Shah	6,316,067 B1	11/2001	Edwards et al.
4,760,784 A	8/1988	Whiteside	6,345,911 B1	2/2002	Young et al.
4,868,024 A	9/1989	Cross et al.	6,354,062 B1	3/2002	Haughton et al.
4,869,049 A	9/1989	Richards et al.	D455,485 S	4/2002	Hensel
4,880,852 A	11/1989	Hoshino et al.	6,370,847 B1	4/2002	Jensen et al.
4,890,934 A	1/1990	Feaver et al.	D458,359 S	6/2002	Blanchette
4,906,495 A	3/1990	Martini et al.	6,453,640 B1	9/2002	Hayashi
4,934,529 A	6/1990	Richards et al.	6,494,619 B1	12/2002	Sulpizio
4,946,720 A	8/1990	Oishi et al.	6,516,588 B2	2/2003	Jensen et al.
4,948,266 A	8/1990	Bencic	6,532,605 B1	3/2003	Howell
4,948,639 A	8/1990	Brooker et al.	6,540,103 B2	4/2003	Silvers
4,983,171 A	1/1991	Schirmer	D475,444 S	6/2003	Laferriere et al.
4,996,727 A	3/1991	Wyatt	6,585,153 B2	7/2003	Ryan
5,022,553 A	6/1991	Pontius	6,596,814 B2	7/2003	Kim et al.
5,056,293 A	10/1991	Richards et al.	6,612,099 B2	9/2003	Stravitz
5,116,139 A	5/1992	Young et al.	D482,109 S	11/2003	Woods
5,120,454 A	6/1992	Wieties	D482,110 S	11/2003	Laferriere et al.
5,125,526 A	6/1992	Sumanis	D482,111 S	11/2003	Laferriere et al.
5,129,735 A	7/1992	Neal et al.	6,719,194 B2	4/2004	Richards
5,147,055 A	9/1992	Samson et al.	6,722,107 B2	4/2004	Morand
5,158,199 A	10/1992	Pontius	D491,257 S	6/2004	Picken, Jr.
5,174,462 A	12/1992	Hames	D492,018 S	6/2004	Schroder
5,183,157 A	2/1993	Darden	6,804,930 B2	10/2004	Stravitz
5,184,575 A	2/1993	Reinartz	6,817,164 B2	11/2004	Mauffette et al.
D334,975 S	4/1993	Bunce et al.	D500,590 S	1/2005	Sachen
5,222,620 A	6/1993	Lima et al.	D501,602 S	2/2005	Karlsson et al.
5,278,282 A	1/1994	Nauman et al.	6,851,251 B2	2/2005	Stravitz
5,294,017 A	3/1994	Li	6,894,085 B2	5/2005	Beaverson et al.
5,382,631 A	1/1995	Stehling et al.	6,901,974 B2	6/2005	Chomik et al.
5,385,259 A	1/1995	Bernstein et al.	6,914,091 B2	7/2005	Donald et al.
5,391,423 A	2/1995	Wnuk et al.	6,921,581 B2	7/2005	Van Gelder et al.
5,405,041 A	4/1995	Van Brackle	6,925,781 B1	8/2005	Knuth et al.
5,520,303 A	5/1996	Bernstein et al.	6,931,684 B1	8/2005	Henegar
5,535,913 A	7/1996	Asbach et al.	6,941,733 B2	9/2005	Chomik et al.
5,582,820 A	12/1996	Yamamoto et al.	6,956,088 B2	10/2005	Farley et al.
5,590,512 A	1/1997	Richards et al.	6,974,029 B2	12/2005	Morand et al.
5,637,366 A	6/1997	Davis et al.	D515,683 S	2/2006	LaBlaine
D380,538 S	7/1997	Muller et al.	6,993,891 B2	2/2006	Richardson et al.
5,642,810 A	7/1997	Warner et al.	6,994,247 B2	2/2006	Richards
5,651,231 A	7/1997	Garland	D517,673 S	3/2006	Yamamoto et al.
5,655,680 A	8/1997	Asbach et al.	D523,632 S	6/2006	Handley
D383,864 S	9/1997	Billings	7,073,311 B2	7/2006	Chomik et al.
5,671,847 A	9/1997	Pedersen et al.	7,086,569 B2	8/2006	Stravitz
5,692,837 A	12/1997	Beer	7,100,767 B2	9/2006	Chomik et al.
5,752,658 A	5/1998	Gibbs et al.	7,114,314 B2	10/2006	Stravitz
5,759,648 A	6/1998	Idlas	7,114,534 B2	10/2006	Chomik et al.
5,762,421 A	6/1998	Ross	7,146,785 B2	12/2006	Stravitz
5,765,339 A	6/1998	Garland	7,168,591 B1	1/2007	Miller
5,799,909 A	9/1998	Ziegler	7,175,918 B2	2/2007	Saraf et al.
5,813,200 A	9/1998	Jacoby et al.	7,178,314 B2	2/2007	Chomik et al.
5,852,114 A	12/1998	Loomis et al.	7,241,493 B2	7/2007	Zhou
5,884,556 A	3/1999	Klepacki et al.	D550,345 S	9/2007	Weggelaar
5,886,078 A	3/1999	Sullivan et al.	D551,333 S	9/2007	Wu
5,897,084 A	4/1999	Judge	7,279,198 B1	10/2007	Knauf
5,962,598 A	10/1999	Mack et al.	7,288,593 B2	10/2007	Yang et al.
5,988,520 A	11/1999	Bitner	7,300,207 B2	11/2007	Linneweil
6,000,323 A	12/1999	Schlegel	7,316,100 B2	1/2008	Stravitz et al.
6,007,030 A	12/1999	Judge	7,328,547 B2	2/2008	Mehta et al.
D424,677 S	5/2000	Chen	7,347,624 B2	3/2008	Savicki, Sr. et al.
6,065,272 A	5/2000	Lecomte	D565,715 S	4/2008	Wu
6,071,451 A	6/2000	Wang et al.	7,350,663 B2	4/2008	Chomik et al.
6,096,420 A	8/2000	Wilhoit et al.	7,377,203 B2	5/2008	Chomik
6,116,780 A	9/2000	Young et al.	7,434,377 B2	10/2008	Stravitz et al.
6,120,743 A	9/2000	Papari	7,459,191 B2	12/2008	Sleight et al.
D432,224 S	10/2000	Hautmann et al.	D585,129 S	1/2009	Huang
6,128,890 A	10/2000	Firth	7,490,734 B2	2/2009	Carr
			7,500,339 B2	3/2009	Knuth et al.

US D639,003 S

Page 3

7,503,152 B2 3/2009 Stravitz et al.
D591,415 S 4/2009 Wu
D591,509 S 5/2009 Lown et al.
7,629,036 B2 12/2009 Chomik et al.
D609,008 S 2/2010 Diamant
7,712,285 B2 5/2010 Stravitz et al.
2001/0037627 A1 11/2001 Hausslein
2002/0162304 A1 11/2002 Stravitz
2003/0078552 A1 4/2003 Tepper et al.
2003/0190097 A1 10/2003 Hajianpour
2004/0083681 A1 5/2004 Stravitz
2004/0191438 A1 9/2004 Cosentino et al.
2005/0033259 A1 2/2005 Stravitz
2005/0079372 A1 4/2005 Schmal et al.
2005/0183400 A1 8/2005 Stravitz et al.
2005/0188661 A1 9/2005 Stravitz et al.
2005/0193691 A1 9/2005 Stravitz et al.
2005/0193692 A1 9/2005 Stravitz et al.
2005/0217214 A1 10/2005 Richardson et al.
2005/0228354 A1 10/2005 Scholer
2005/0274093 A1 12/2005 Stravitz et al.
2006/0013512 A1 1/2006 Shaw
2006/0021301 A1 2/2006 Stravitz et al.
2006/0130438 A1 6/2006 Stravitz et al.
2006/0130439 A1 6/2006 Stravitz et al.
2006/0237461 A1 10/2006 Chomik et al.
2006/0249418 A1 11/2006 Chomik et al.
2006/0251842 A1 11/2006 Chomik et al.
2007/0045324 A1 3/2007 Mitchell et al.
2007/0053616 A1 3/2007 Plouff
2007/0157581 A1 7/2007 Webb et al.

2007/0175182 A1 8/2007 Stravitz et al.
2007/0180798 A1 8/2007 Stravitz et al.
2007/0189643 A1 8/2007 Tresenfeld
2007/0246465 A1 10/2007 Stravitz et al.
2008/0019618 A1 1/2008 Dayton et al.
2008/0134644 A1 6/2008 Knuth et al.
2008/0199643 A1 8/2008 Withers
2008/0247679 A1 10/2008 Dayton et al.
2008/0310772 A1 12/2008 Dayton et al.

FOREIGN PATENT DOCUMENTS

EP	0913344	5/1999
GB	399031	9/1933
GB	772538	4/1957
GB	2206094	12/1988
WO	99/39675 A1	8/1999
WO	02/42364 A2	5/2002
WO	02/051788 A1	7/2002
WO	2005/042381	5/2005
WO	2007/130889 A2	11/2007
WO	2008/059282	5/2008

OTHER PUBLICATIONS

Copending U.S. Appl. No. 12/172,758, filed Jul. 14, 2008 entitled "Tubing Assembly for Waste Disposal Devices".

Copending U.S. Appl. No. 12/172,793, filed Jul. 14, 2008 entitled "Waste Disposal Devices".

* cited by examiner

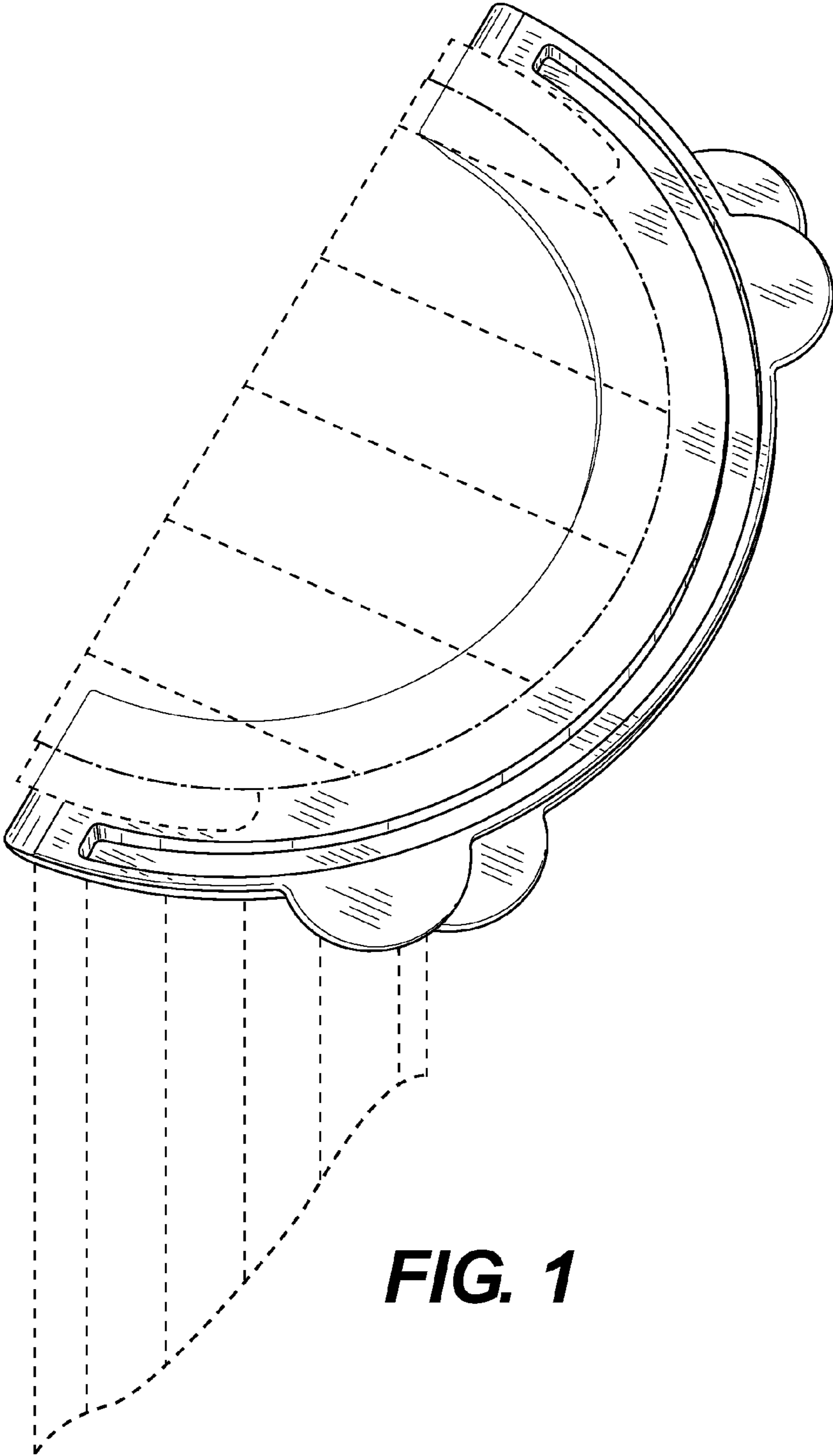


FIG. 1

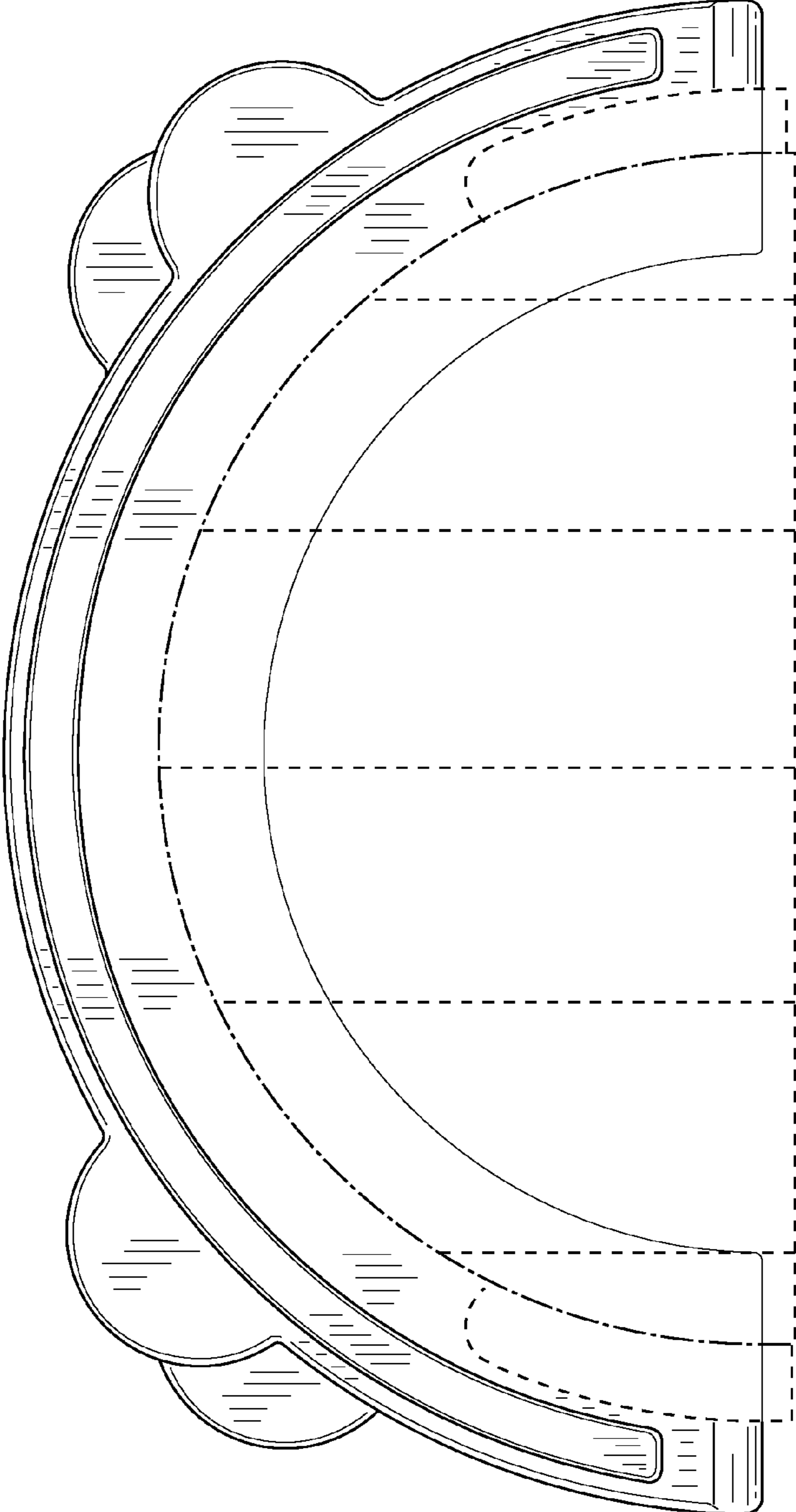


FIG. 2

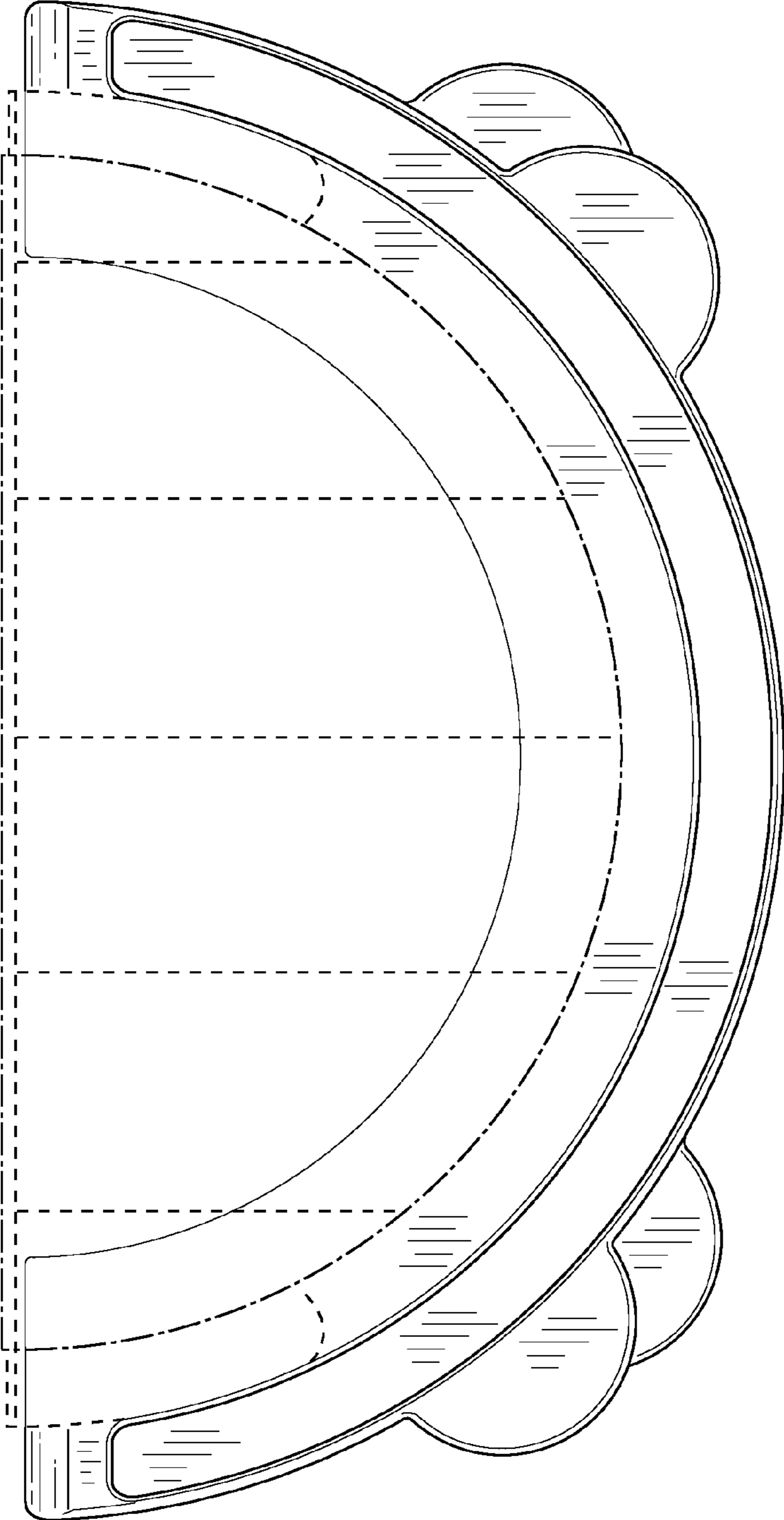


FIG. 3

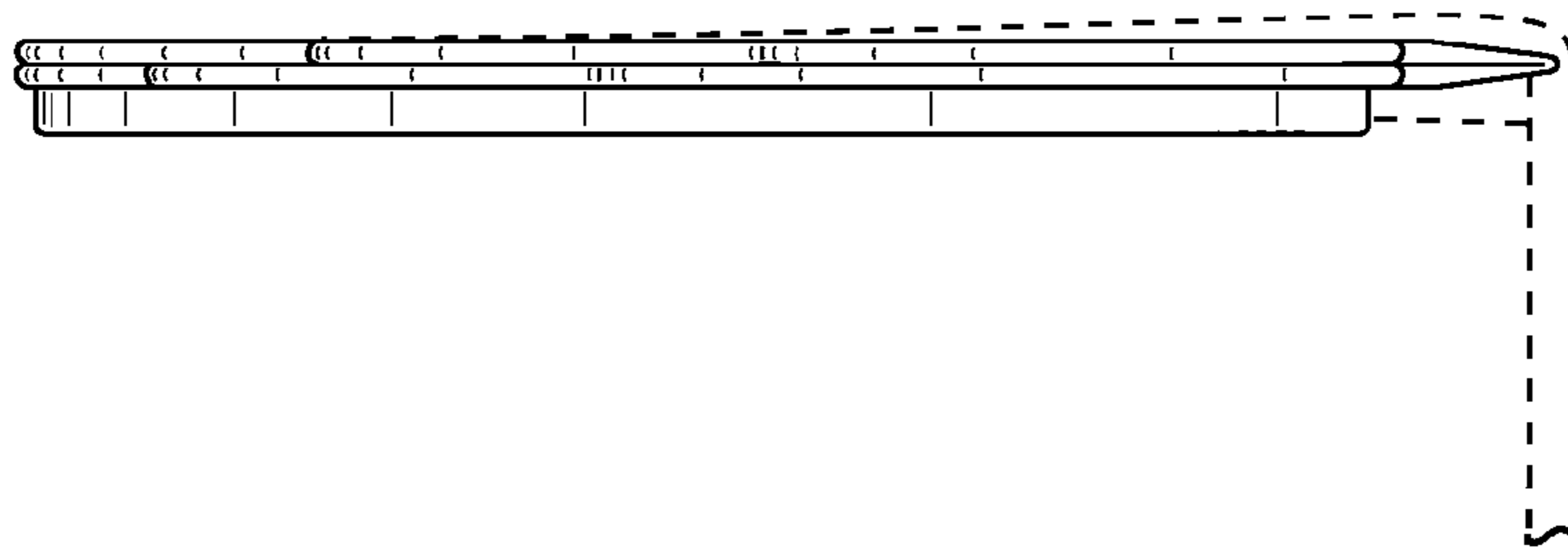


FIG. 4

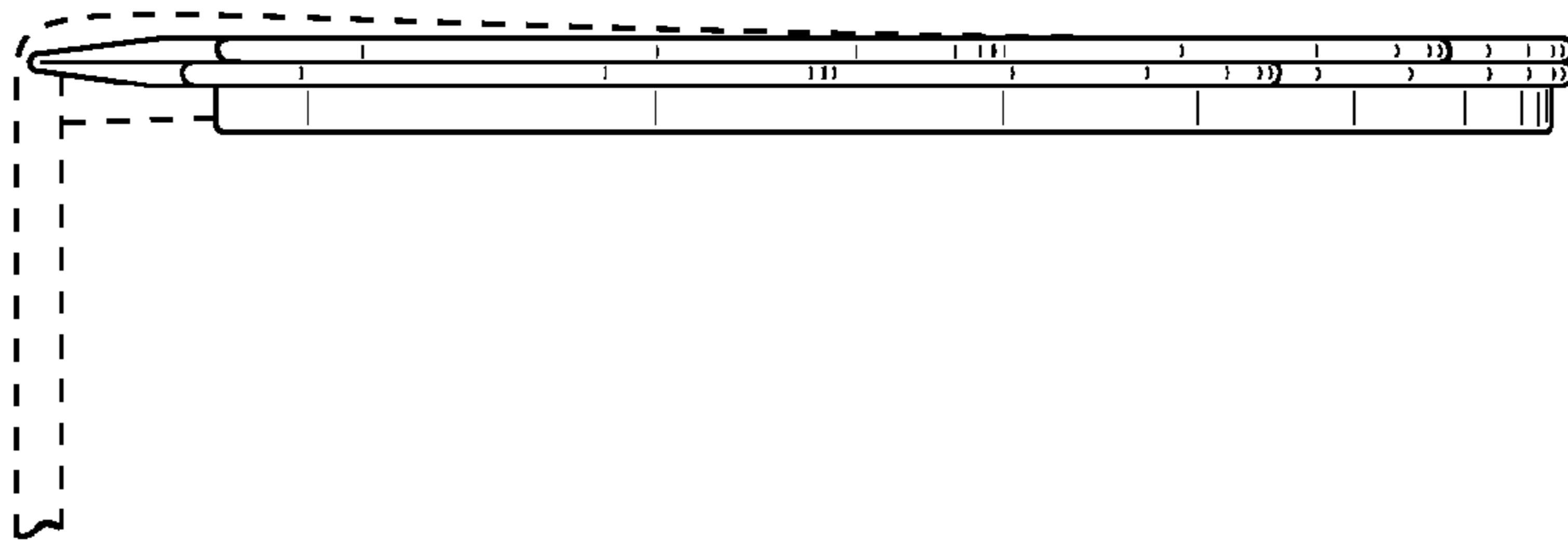


FIG. 5

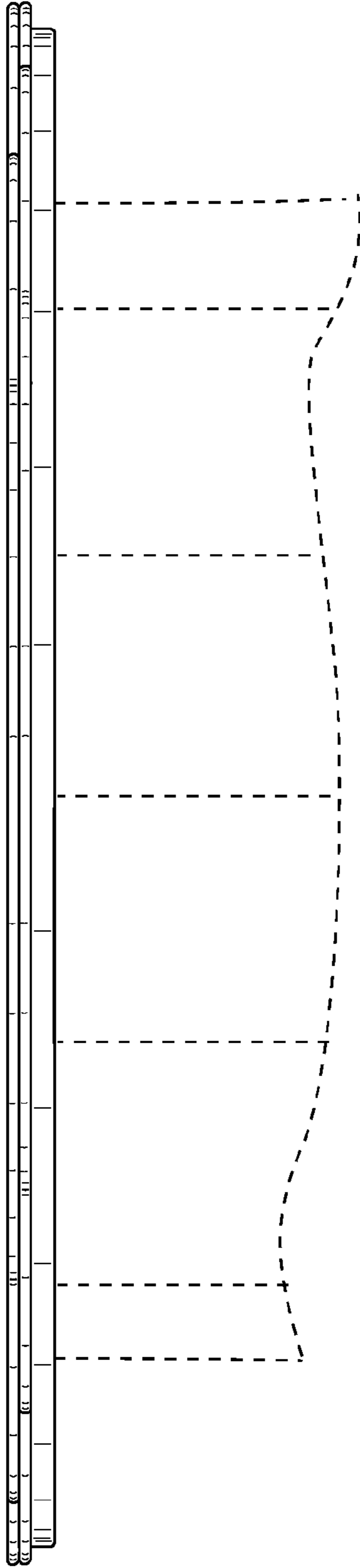


FIG. 6

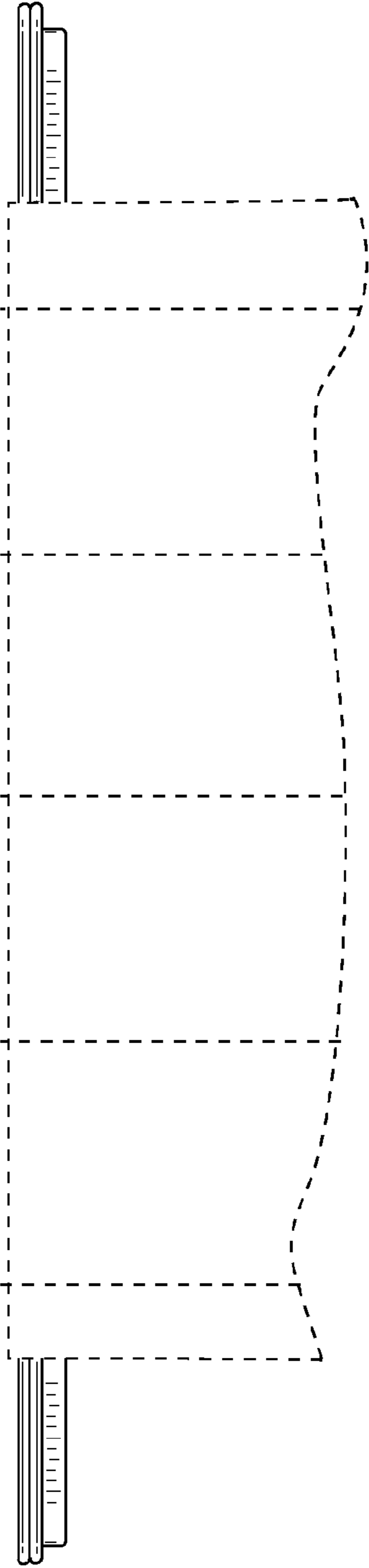


FIG. 7