



US00D639002S

(12) **United States Design Patent**  
**Dunn et al.**

(10) **Patent No.:** **US D639,002 S**  
(45) **Date of Patent:** **\*\* May 31, 2011**

(54) **DIAPER PAIL BAG**  
(75) Inventors: **Steven B. Dunn**, Beverly Hills, CA (US); **Mark A. Hatherill**, Beverly Hills, CA (US); **Kevin D. Johnson**, Tarzana, CA (US)

3,310,224 A 3/1967 Laguerre  
3,536,192 A 10/1970 Couper  
3,619,822 A 11/1971 Carmichael  
3,772,712 A 11/1973 Renn et al.  
3,779,157 A 12/1973 Ross, Jr. et al.  
3,908,336 A 9/1975 Forslund  
D238,324 S \* 1/1976 Jackson ..... D32/37  
3,959,947 A 6/1976 Sonnino

(73) Assignee: **Munchkin, Inc.**, North Hills, CA (US)

(Continued)

(\*\*) Term: **14 Years**

FOREIGN PATENT DOCUMENTS

DE 202005015117 3/2007

(21) Appl. No.: **29/346,334**

(Continued)

(22) Filed: **Oct. 30, 2009**

OTHER PUBLICATIONS

(51) **LOC (9) Cl.** ..... **07-07**

(52) **U.S. Cl.** ..... **D32/37**

(58) **Field of Classification Search** ..... D3/303,  
D3/304, 201, 287; D9/702-706, 720, 724,  
D9/734, 414, 424, 430-432, 907; D32/37;  
150/107; 222/478; 4/484; 383/34, 35, 906  
See application file for complete search history.

Copending U.S. Appl. No. 12/172,715, filed Jul. 14, 2008 entitled  
“Waste Disposal Devices”.

(Continued)

*Primary Examiner* — Nanda Bondade

(74) *Attorney, Agent, or Firm* — Knoble Yoshida &  
Dunleavy, LLC

(56) **References Cited**

(57) **CLAIM**

U.S. PATENT DOCUMENTS

The ornamental design for a diaper pail bag, as shown and  
described.

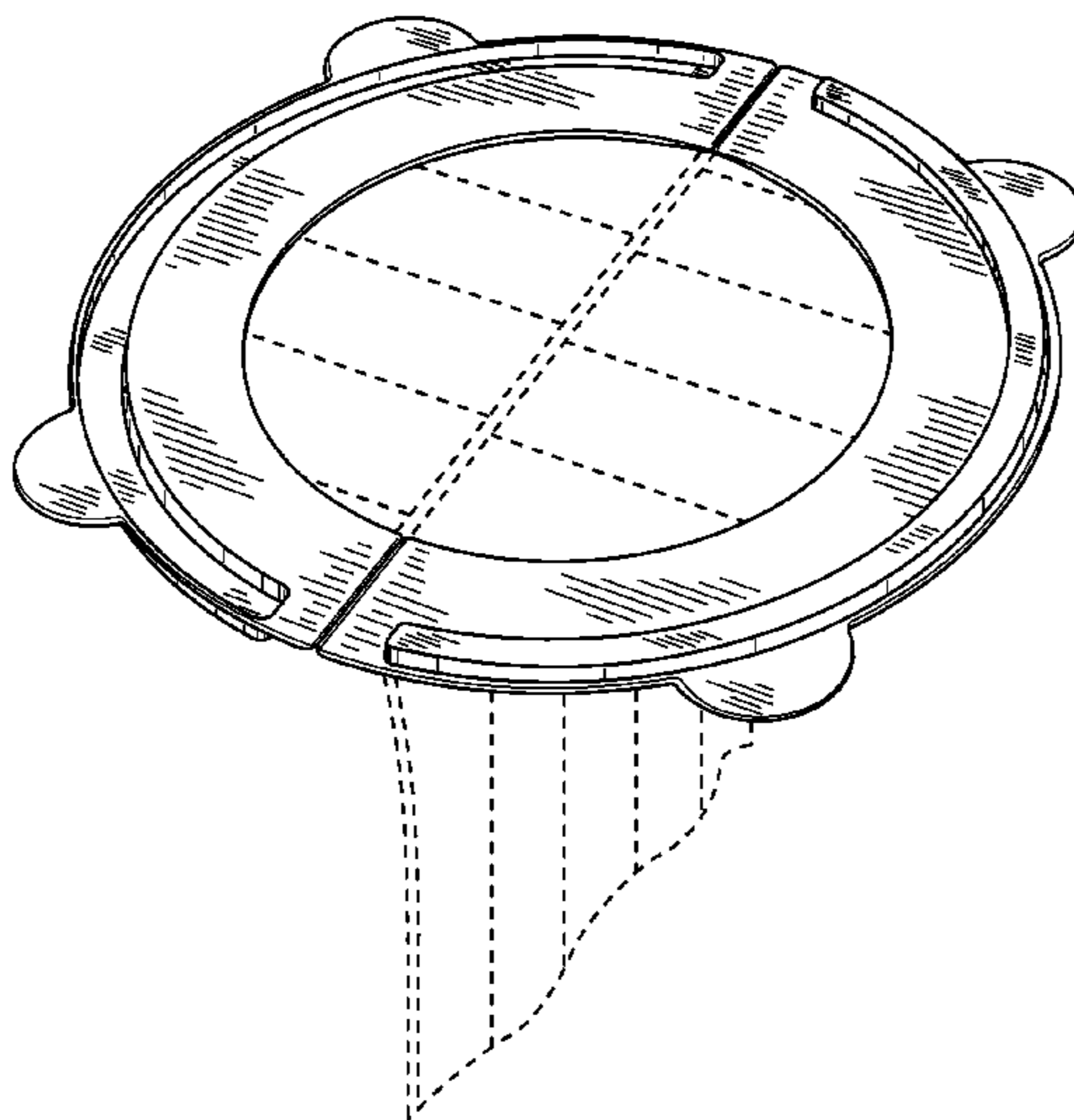
1,633 A	6/1840	Sellers et al.
18,046 A	8/1857	Hinckley
111,521 A	2/1871	Dodge
293,459 A	2/1884	Hawn
428,228 A	5/1890	Price
459,875 A	9/1891	Locke
471,433 A	3/1892	Rice
503,113 A	8/1893	Osterloh
627,434 A	6/1899	Miller
685,179 A	10/1901	Seebers
859,497 A	7/1907	Hood
860,183 A	7/1907	Barr
1,719,185 A	7/1929	Lowy
2,271,918 A	2/1942	Glowka
2,352,503 A	6/1944	Walton
2,610,432 A	9/1952	Ambrose
3,086,674 A	4/1963	Scheuerman
3,214,065 A	10/1965	Thornton

**DESCRIPTION**

FIG. 1 is a perspective view showing our new design;  
FIG. 2 is a bottom plan view;  
FIG. 3 is a top plan view;  
FIG. 4 is a first side elevational view;  
FIG. 5 is a second side elevational view;  
FIG. 6 is a front elevational view; and,  
FIG. 7 is a rear elevational view.

The broken line showing on the drawing disclosure is for  
illustrative purposes only and forms no part of the claimed  
design.

**1 Claim, 5 Drawing Sheets**



# US D639,002 S

Page 2

U.S. PATENT DOCUMENTS							
4,162,602	A	7/1979	Achelpohl et al.	6,141,945	A	11/2000	Becher
4,175,603	A	11/1979	Iaboni et al.	6,147,167	A	11/2000	Mack et al.
4,303,710	A	12/1981	Bullard et al.	6,164,442	A	12/2000	Stravitz
4,349,123	A	9/1982	Yang	6,164,821	A	12/2000	Randall
4,427,110	A	1/1984	Shaw, Jr.	6,170,240	B1	1/2001	Jacoby et al.
4,437,575	A	3/1984	Hahn	6,174,990	B1	1/2001	Noda
D274,462	S	6/1984	Rakocy et al.	6,199,220	B1	3/2001	Smith
4,561,563	A	12/1985	Woods	6,202,877	B1	3/2001	La Torre et al.
4,617,230	A	10/1986	Shah et al.	6,258,423	B1	7/2001	Giori
4,637,061	A	1/1987	Riese	6,296,388	B1	10/2001	Galomb et al.
4,687,711	A	8/1987	Vietto et al.	6,303,220	B1	10/2001	Minamoto et al.
4,724,185	A	2/1988	Shah	6,316,067	B1	11/2001	Edwards et al.
4,760,784	A	8/1988	Whiteside	6,345,911	B1	2/2002	Young et al.
4,868,024	A	9/1989	Cross et al.	6,354,062	B1	3/2002	Haughton et al.
4,869,049	A	9/1989	Richards et al.	D455,485	S	4/2002	Hensel
4,880,852	A	11/1989	Hoshino et al.	6,370,847	B1	4/2002	Jensen et al.
4,890,934	A	1/1990	Feaver et al.	D458,359	S	6/2002	Blanchette
4,906,495	A	3/1990	Martini et al.	6,453,640	B1	9/2002	Hayashi
4,934,529	A	6/1990	Richards et al.	6,494,619	B1	12/2002	Sulpizio
4,946,720	A	8/1990	Oishi et al.	6,516,588	B2	2/2003	Jensen et al.
4,948,266	A	8/1990	Bencic	6,532,605	B1	3/2003	Howell
4,948,639	A	8/1990	Brooker et al.	6,540,103	B2	4/2003	Silvers
4,983,171	A	1/1991	Schirmer	D475,444	S	6/2003	Laferriere et al.
4,996,727	A	3/1991	Wyatt	6,585,153	B2	7/2003	Ryan
5,022,553	A	6/1991	Pontius	6,596,814	B2	7/2003	Kim et al.
5,056,293	A	10/1991	Richards et al.	6,612,099	B2	9/2003	Stravitz
5,116,139	A	5/1992	Young et al.	D482,109	S	11/2003	Woods
5,120,454	A	6/1992	Wieties	D482,110	S	11/2003	Laferriere et al.
5,125,526	A	6/1992	Sumanis	D482,111	S	11/2003	Laferriere et al.
5,129,735	A	7/1992	Neal et al.	6,719,194	B2	4/2004	Richards
5,147,055	A	9/1992	Samson et al.	6,722,107	B2	4/2004	Morand
5,158,199	A	10/1992	Pontius	D491,257	S	6/2004	Picken, Jr.
5,174,462	A	12/1992	Hames	D492,018	S	6/2004	Schroder
5,183,157	A	2/1993	Darden	6,804,930	B2	10/2004	Stravitz
5,184,575	A	2/1993	Reinartz	6,817,164	B2	11/2004	Mauffette et al.
D334,975	S	4/1993	Bunce et al.	D500,590	S	1/2005	Sachen
5,222,620	A	6/1993	Lima et al.	D501,602	S	2/2005	Karlsson et al.
5,278,282	A	1/1994	Nauman et al.	6,851,251	B2	2/2005	Stravitz
5,294,017	A	3/1994	Li	6,894,085	B2	5/2005	Beaverson et al.
5,382,631	A	1/1995	Stehling et al.	6,901,974	B2	6/2005	Chomik et al.
5,385,259	A	1/1995	Bernstein et al.	6,914,091	B2	7/2005	Donald et al.
5,391,423	A	2/1995	Wnuk et al.	6,921,581	B2	7/2005	Van Gelder et al.
5,405,041	A	4/1995	Van Brackle	6,925,781	B1	8/2005	Knuth et al.
5,520,303	A	5/1996	Bernstein et al.	6,931,684	B1	8/2005	Henegar
5,535,913	A	7/1996	Asbach et al.	6,941,733	B2	9/2005	Chomik et al.
5,582,820	A	12/1996	Yamamoto et al.	6,956,088	B2	10/2005	Farley et al.
5,590,512	A	1/1997	Richards et al.	6,974,029	B2	12/2005	Morand et al.
5,637,366	A	6/1997	Davis et al.	D515,683	S	2/2006	LaBlaine
D380,538	S	7/1997	Muller et al.	6,993,891	B2	2/2006	Richardson et al.
5,642,810	A	7/1997	Warner et al.	6,994,247	B2	2/2006	Richards
5,651,231	A	7/1997	Garland	D517,673	S	3/2006	Yamamoto et al.
5,655,680	A	8/1997	Asbach et al.	D523,632	S	6/2006	Handley
D383,864	S	9/1997	Billings	7,073,311	B2	7/2006	Chomik et al.
5,671,847	A	9/1997	Pederson et al.	7,086,569	B2	8/2006	Stravitz
5,692,837	A	12/1997	Beer	7,100,767	B2	9/2006	Chomik et al.
5,752,658	A	5/1998	Gibbs et al.	7,114,314	B2	10/2006	Stravitz
5,759,648	A	6/1998	Idlas	7,114,534	B2	10/2006	Chomik et al.
5,762,421	A	6/1998	Ross	7,146,785	B2	12/2006	Stravitz
5,765,339	A	6/1998	Garland	7,168,591	B1	1/2007	Miller
5,799,909	A	9/1998	Ziegler	7,175,918	B2	2/2007	Saraf et al.
5,813,200	A	9/1998	Jacoby et al.	7,178,314	B2	2/2007	Chomik et al.
5,852,114	A	12/1998	Loomis et al.	7,241,493	B2	7/2007	Zhou
5,884,556	A	3/1999	Klepacki et al.	D550,345	S	9/2007	Weggelaar
5,886,078	A	3/1999	Sullivan et al.	D551,333	S	9/2007	Wu
5,897,084	A	4/1999	Judge	7,279,198	B1	10/2007	Knauf
5,962,598	A	10/1999	Mack et al.	7,288,593	B2	10/2007	Yang et al.
5,988,520	A	11/1999	Bitner	7,300,207	B2	11/2007	Linneweil
6,000,323	A	12/1999	Schlegel	7,316,100	B2	1/2008	Stravitz et al.
6,007,030	A	12/1999	Judge	7,328,547	B2	2/2008	Mehta et al.
D424,677	S	5/2000	Chen	7,347,624	B2	3/2008	Savicki, Sr. et al.
6,065,272	A	5/2000	Lecomte	D565,715	S	4/2008	Wu
6,071,451	A	6/2000	Wang et al.	7,350,663	B2	4/2008	Chomik et al.
6,096,420	A	8/2000	Wilhoit et al.	7,377,203	B2	5/2008	Chomik
6,116,780	A	9/2000	Young et al.	7,434,377	B2	10/2008	Stravitz et al.
6,120,743	A	9/2000	Papari	7,459,191	B2	12/2008	Sleight et al.
D432,224	S	10/2000	Hautmann et al.	D585,129	S	1/2009	Huang
6,128,890	A	10/2000	Firth	7,490,734	B2	2/2009	Carr
6,129,716	A	10/2000	Steer	7,500,339	B2	3/2009	Knuth et al.
				7,503,152	B2	3/2009	Stravitz et al.

# US D639,002 S

Page 3

7,503,159 B2 3/2009 Stravitz et al.  
D591,415 S 4/2009 Wu  
D591,509 S 5/2009 Lown et al.  
7,629,036 B2 12/2009 Chomik et al.  
D609,008 S 2/2010 Diamant  
7,712,285 B2 5/2010 Stravitz et al.  
2001/0037627 A1 11/2001 Hausslein  
2002/0162304 A1 11/2002 Stravitz  
2003/0078552 A1 4/2003 Tepper et al.  
2003/0190097 A1 10/2003 Hajianpour  
2004/0083681 A1 5/2004 Stravitz  
2004/0191438 A1 9/2004 Cosentino et al.  
2005/0033259 A1 2/2005 Stravitz  
2005/0079372 A1 4/2005 Schmal et al.  
2005/0183400 A1 8/2005 Stravitz et al.  
2005/0188661 A1 9/2005 Stravitz et al.  
2005/0193691 A1 9/2005 Stravitz et al.  
2005/0193692 A1 9/2005 Stravitz et al.  
2005/0217214 A1 10/2005 Richardson et al.  
2005/0228354 A1 10/2005 Scholer  
2005/0274093 A1 12/2005 Stravitz et al.  
2006/0013512 A1 1/2006 Shaw  
2006/0021301 A1 2/2006 Stravitz et al.  
2006/0130438 A1 6/2006 Stravitz et al.  
2006/0130439 A1 6/2006 Stravitz et al.  
2006/0237461 A1 10/2006 Chomik et al.  
2006/0249418 A1 11/2006 Chomik et al.  
2006/0251842 A1 11/2006 Chomik et al.  
2007/0045324 A1 3/2007 Mitchell et al.  
2007/0053616 A1 3/2007 Plouff  
2007/0157581 A1 7/2007 Webb et al.

2007/0175182 A1 8/2007 Stravitz et al.  
2007/0180798 A1 8/2007 Stravitz et al.  
2007/0189643 A1 8/2007 Tresenfeld  
2007/0246465 A1 10/2007 Stravitz et al.  
2008/0019618 A1 1/2008 Dayton et al.  
2008/0134644 A1 6/2008 Knuth et al.  
2008/0199643 A1 8/2008 Withers  
2008/0247679 A1 10/2008 Dayton et al.  
2008/0310772 A1 12/2008 Dayton et al.

## FOREIGN PATENT DOCUMENTS

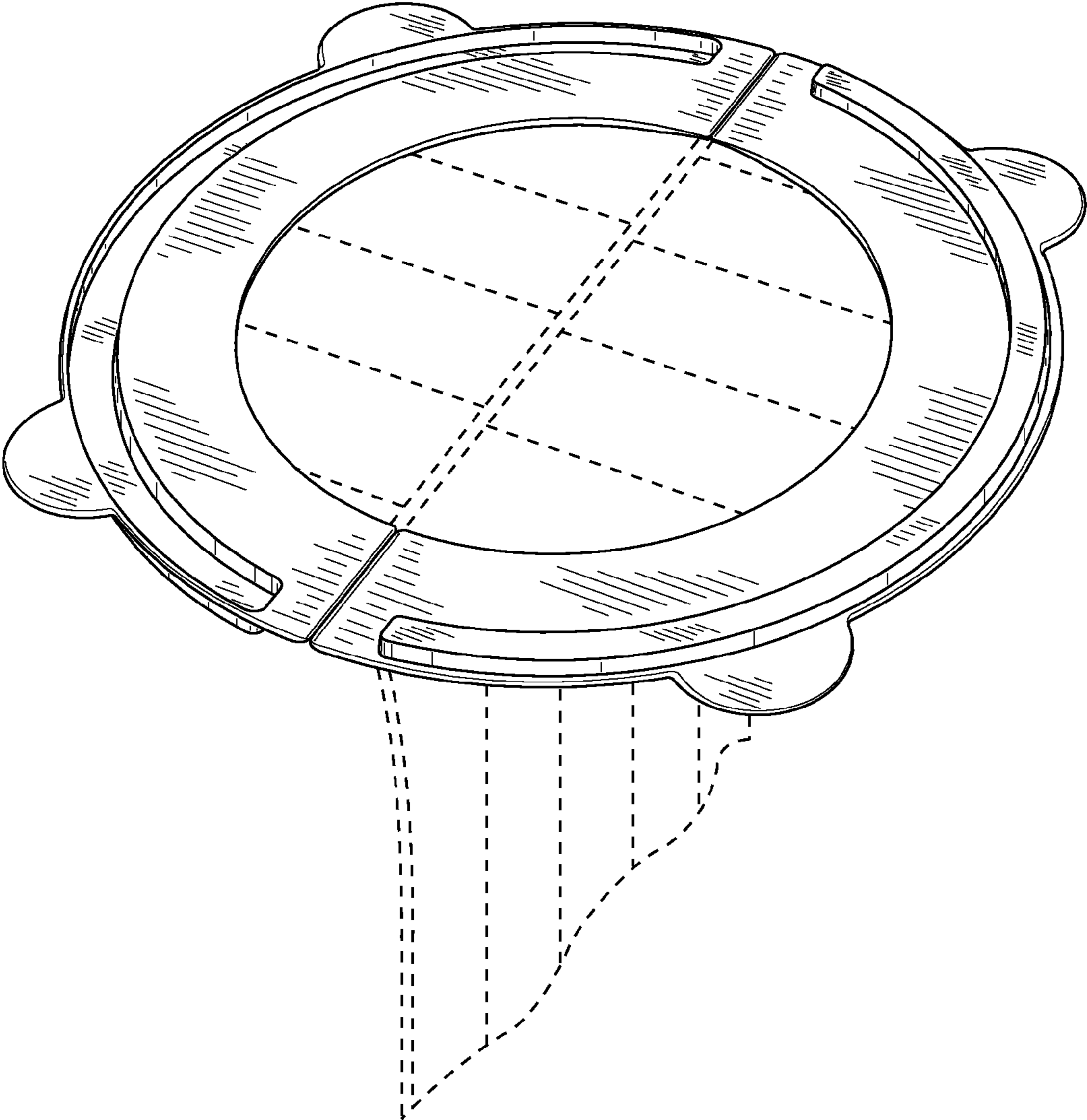
EP	0913344	5/1999
GB	399031	9/1933
GB	772538	4/1957
GB	2206094	12/1988
WO	99/39675 A1	8/1999
WO	02/42364 A2	5/2002
WO	02/051788 A1	7/2002
WO	2005/042381	5/2005
WO	2007/130889 A2	11/2007
WO	2008/059282	5/2008

## OTHER PUBLICATIONS

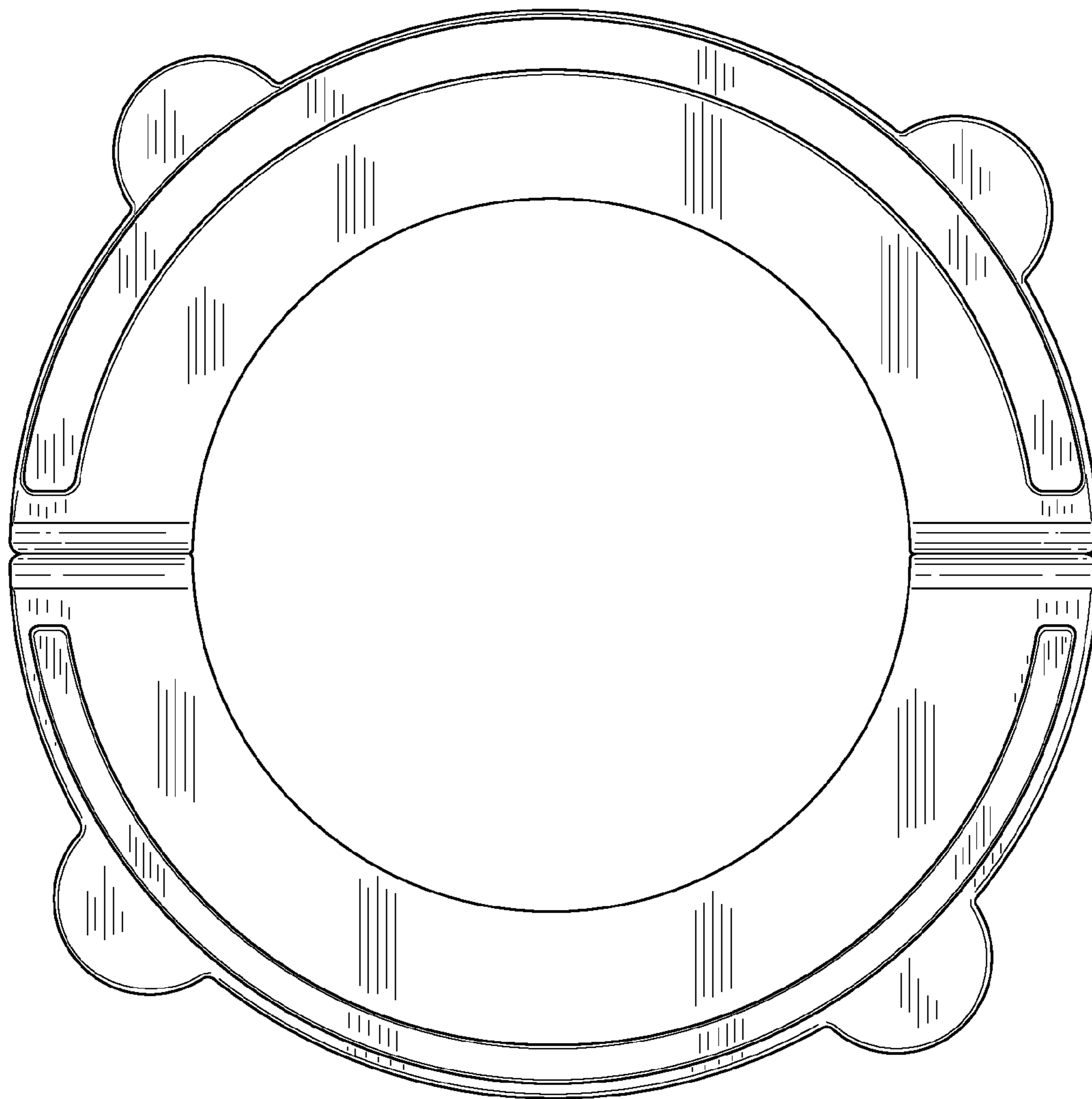
Copending U.S. Appl. No. 12/172,758, filed Jul. 14, 2008 entitled "Tubing Assembly for Waste Disposal Devices".

Copending U.S. Appl. No. 12/172,793, filed Jul. 14, 2008 entitled "Waste Disposal Devices".

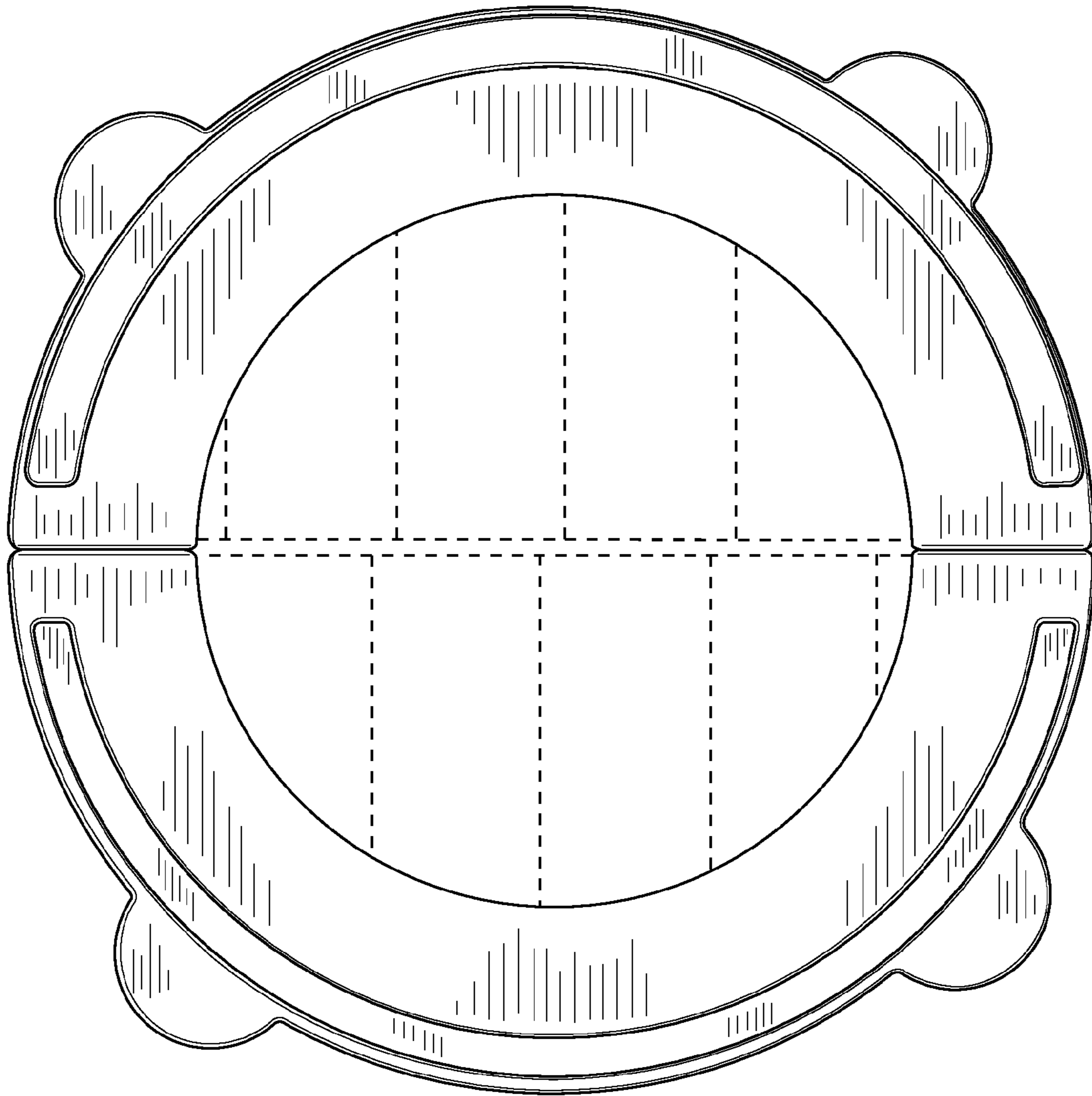
\* cited by examiner



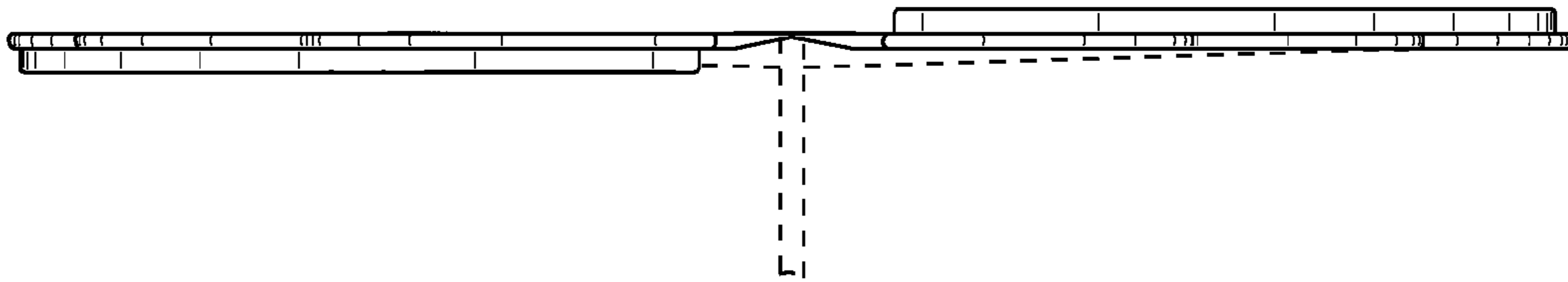
**FIG. 1**



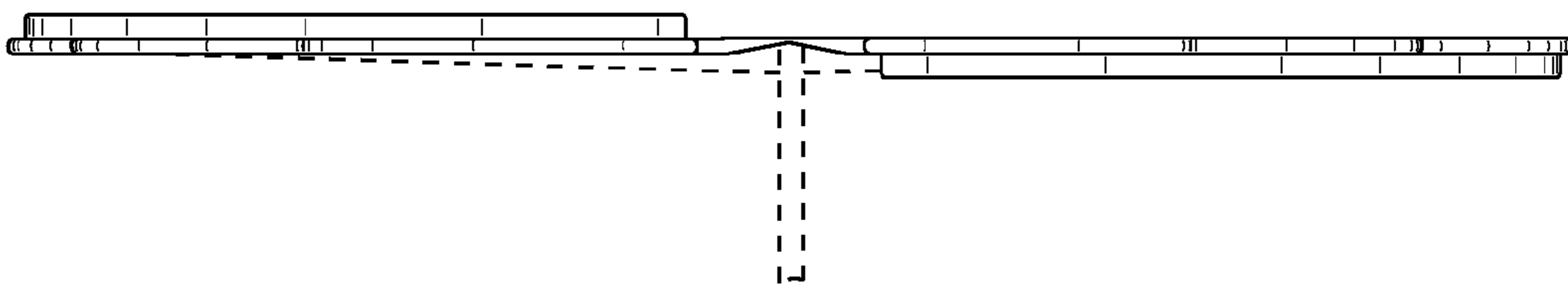
**FIG. 2**



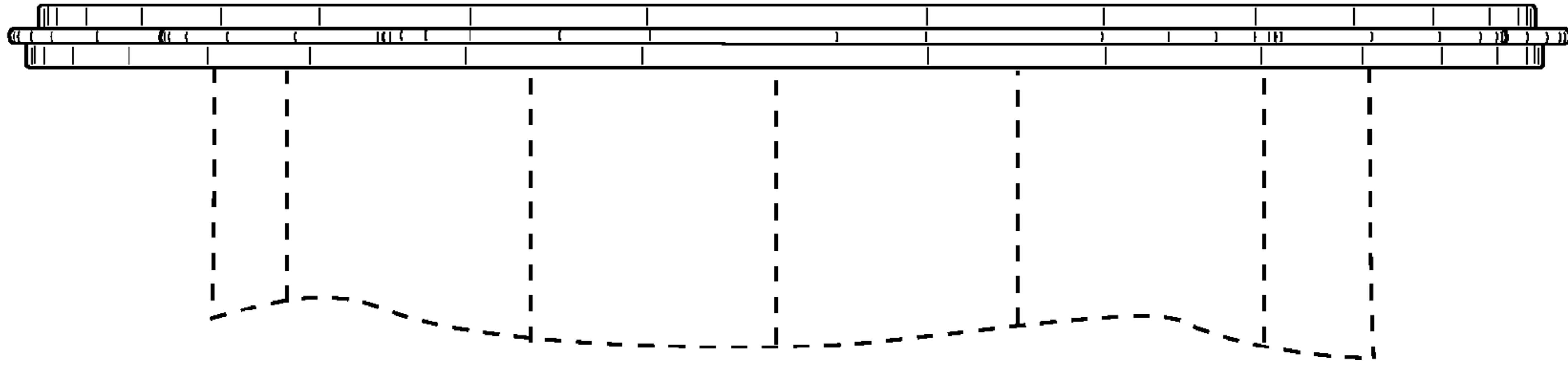
**FIG. 3**



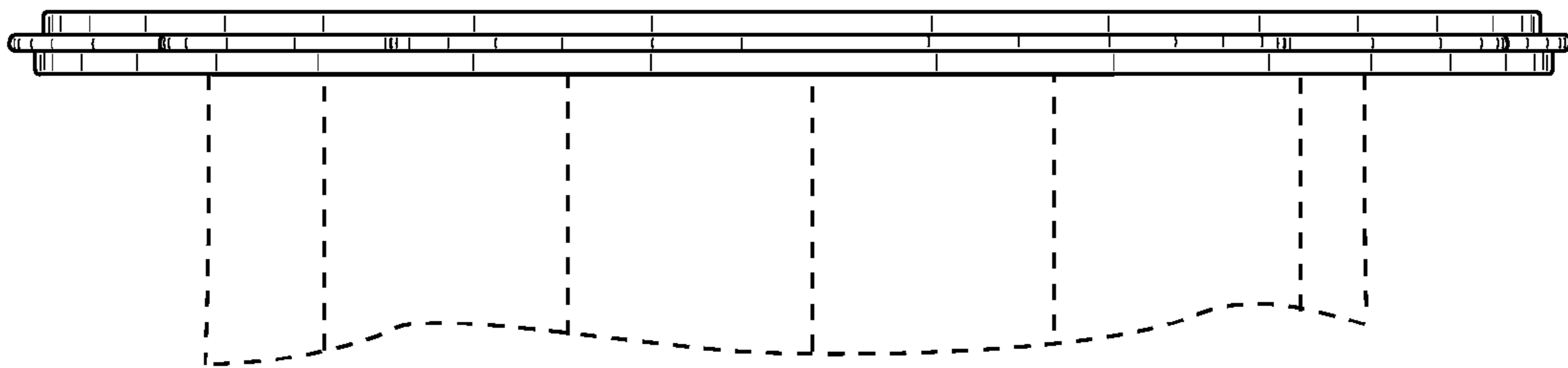
**FIG. 4**



**FIG. 5**



**FIG. 6**



**FIG. 7**