



US00D638990S

(12) **United States Design Patent**
Limongi et al.

(10) **Patent No.:** **US D638,990 S**

(45) **Date of Patent:** **** May 31, 2011**

(54) **SPATULA FOR MAKEUP**

(75) Inventors: **Michel Limongi**, Clichy (FR); **Nicolas Rondeau**, Villeneuve la Garenne (FR)

(73) Assignee: **Alcan Packaging Beauty Services**, Gennevilliers (FR)

(**) Term: **14 Years**

(21) Appl. No.: **29/349,787**

(22) Filed: **Apr. 29, 2010**

(51) **LOC (9) Cl.** **28-02**

(52) **U.S. Cl.** **D28/7**

(58) **Field of Classification Search** D28/7,
D28/8, 20-22, 30-31, 76, 85, 99; 132/108,
132/202, 208, 317, 320; 401/202-207, 261-267;
D4/132-135; D24/119; D7/361, 395, 688
See application file for complete search history.

(56) **References Cited**

U.S. PATENT DOCUMENTS

D272,661	S	*	2/1984	Cutler	D28/7
D278,201	S	*	4/1985	Koepke	D8/17
D307,331	S	*	4/1990	Pflieger	D28/7
5,491,869	A	*	2/1996	Sullivan et al.	15/245

D375,353	S	*	11/1996	Wolff	D24/116
D421,302	S	*	2/2000	Korteweg	D24/119
D527,143	S	*	8/2006	Fischer	D28/7
D537,200	S	*	2/2007	Montoli	D28/7
D541,979	S	*	5/2007	Montoli	D28/7
D544,644	S	*	6/2007	Hartstock et al.	D28/7
D586,048	S	*	2/2009	Hartstock et al.	D28/76
D591,903	S	*	5/2009	Mongeon et al.	D28/7
D591,904	S	*	5/2009	Mongeon et al.	D28/7

* cited by examiner

Primary Examiner — Zenia I Bennett

(74) *Attorney, Agent, or Firm* — Cooper & Dunham LLP

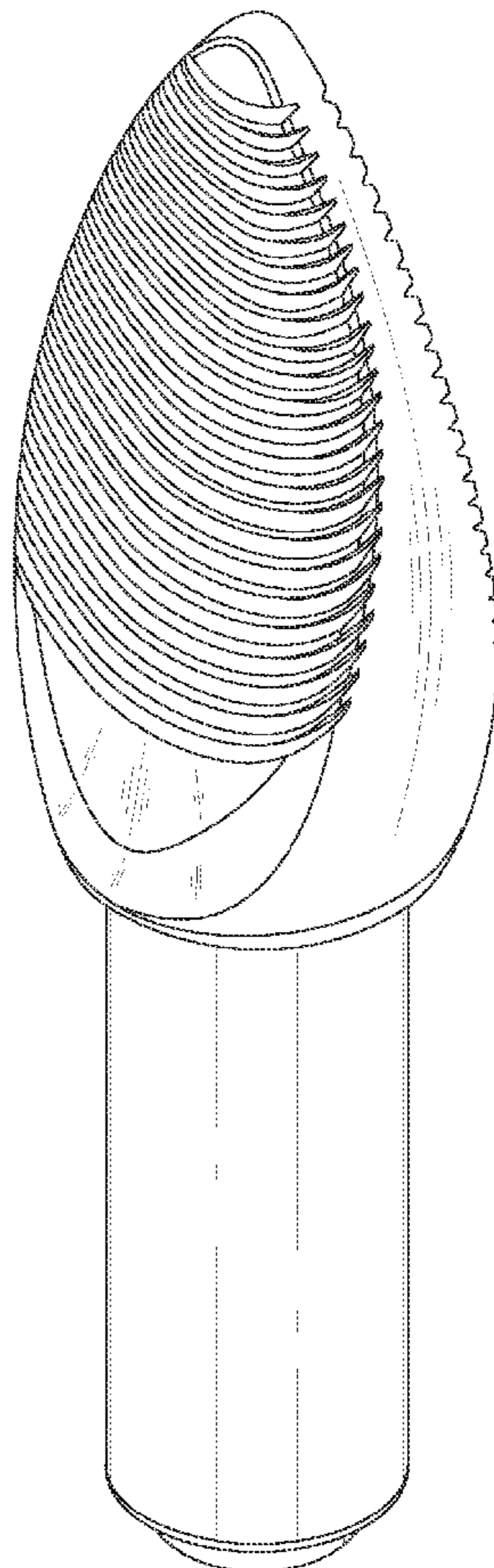
(57) **CLAIM**

The ornamental design for spatula for makeup, as shown and described.

DESCRIPTION

FIG. 1 is a perspective view thereof;
FIG. 2 is a left side view thereof;
FIG. 3 is a rear view thereof;
FIG. 4 is an enlarged top view thereof;
FIG. 5 is a front view thereof;
FIG. 6 is a right side view thereof; and,
FIG. 7 is an enlarged bottom view thereof.

1 Claim, 4 Drawing Sheets



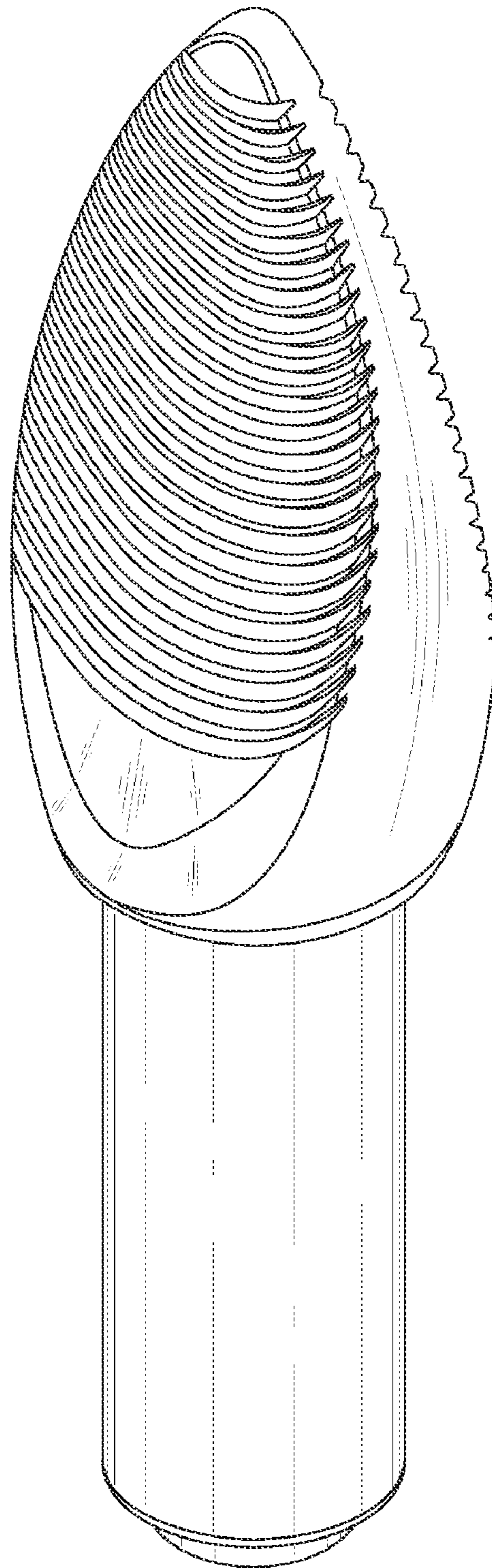


FIG. 1

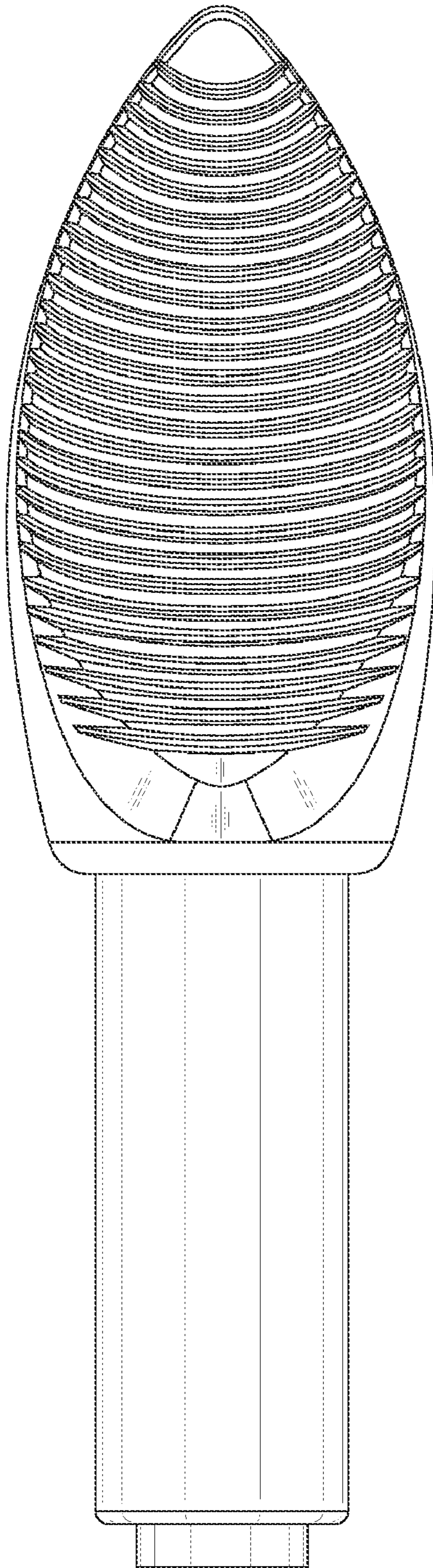


FIG. 2

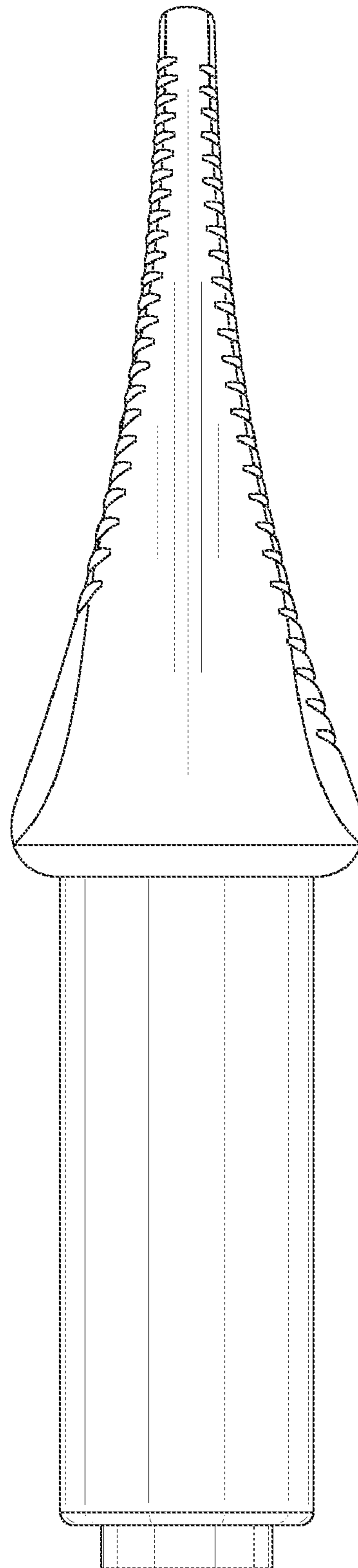


FIG. 3

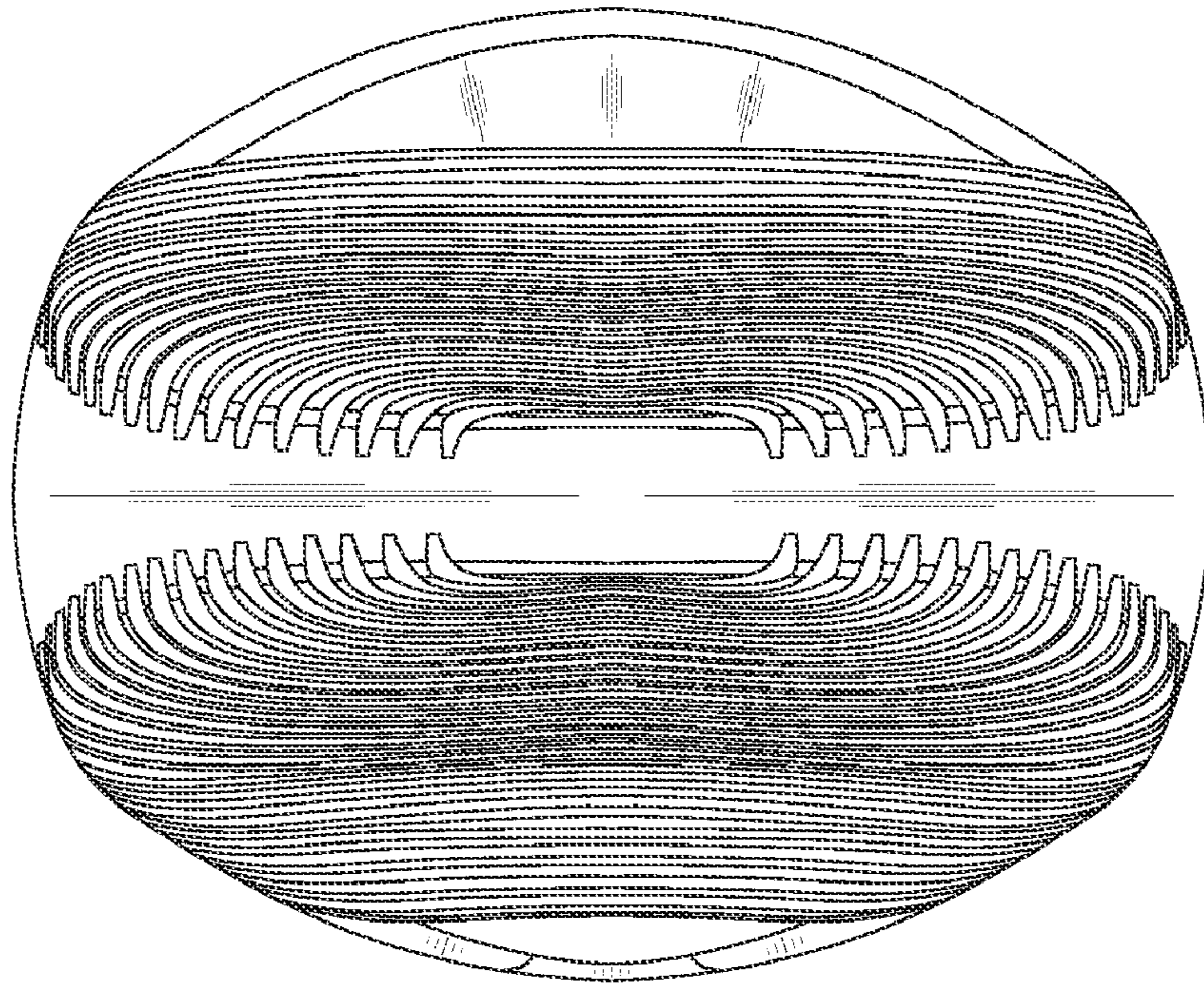


FIG. 4

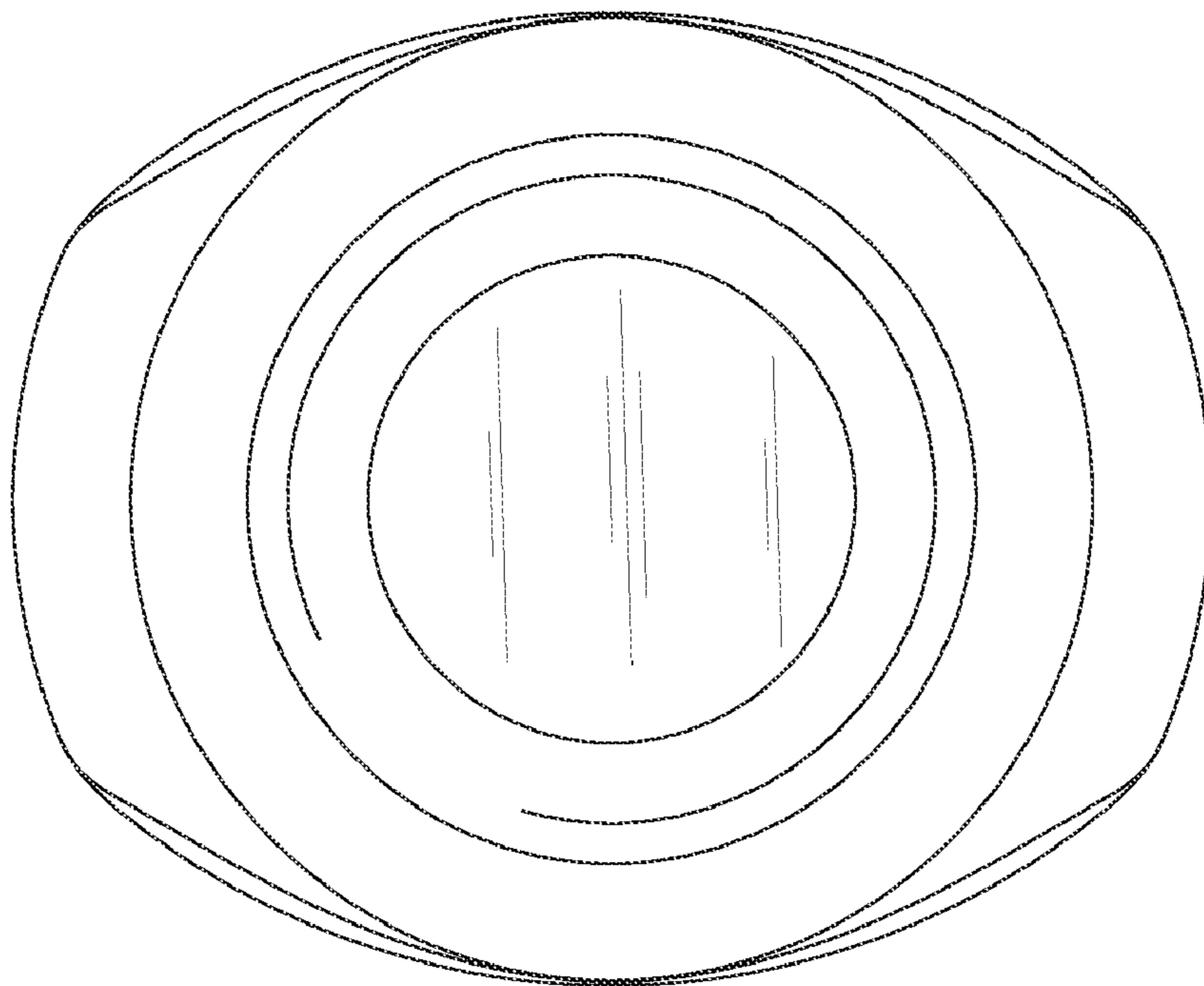


FIG. 7

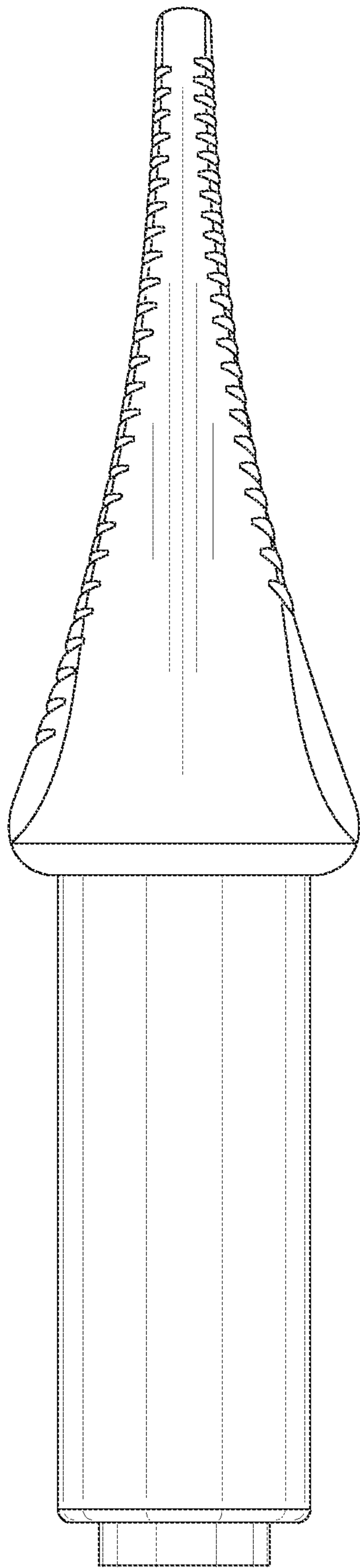


FIG. 5

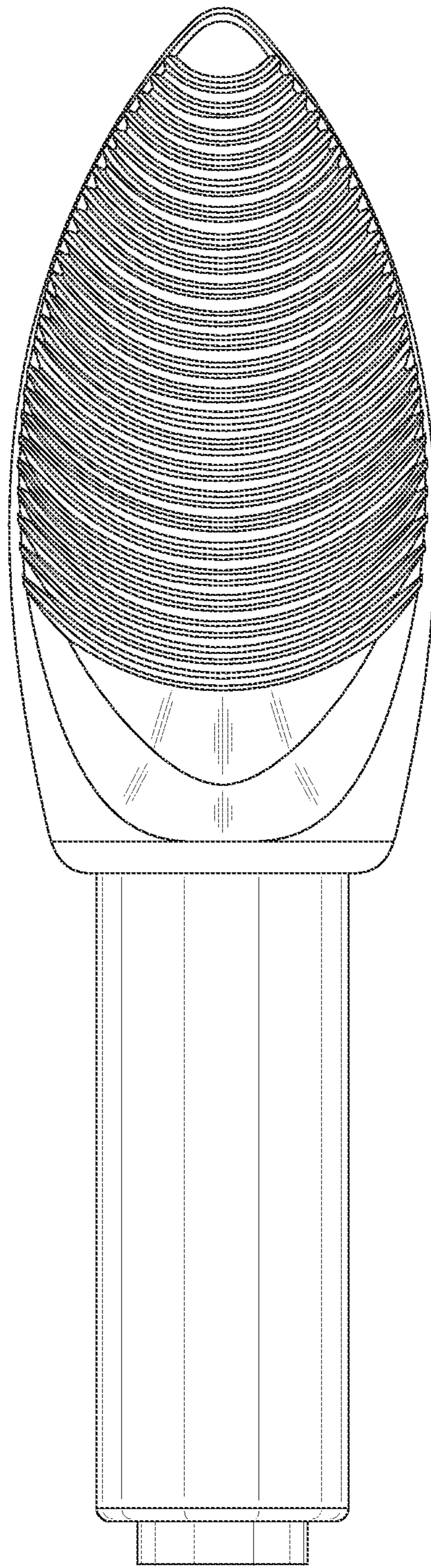


FIG. 6