



US00D638987S

(12) **United States Design Patent**  
**Limongi et al.**

(10) **Patent No.:** **US D638,987 S**

(45) **Date of Patent:** **\*\* May 31, 2011**

(54) **SPATULA FOR MAKEUP**

(75) Inventors: **Michel Limongi**, Clichy (FR); **Nicolas Rondeau**, Villeneuve la Garenne (FR)

(73) Assignee: **Alcan Packaging Beauty Services**, Gennevilliers (FR)

(\*\*) Term: **14 Years**

(21) Appl. No.: **29/349,784**

(22) Filed: **Apr. 29, 2010**

(51) **LOC (9) Cl.** ..... **28-02**

(52) **U.S. Cl.** ..... **D28/7**

(58) **Field of Classification Search** ..... D28/7,  
D28/8, 20–22, 30–31, 76, 85, 99; 132/108,  
132/202, 208, 317, 320; 401/202–207, 261–267;  
D4/132–135; D24/119; D7/361, 395, 688  
See application file for complete search history.

(56) **References Cited**

**U.S. PATENT DOCUMENTS**

D272,661 S *	2/1984	Cutler	.....	D28/7
D278,201 S *	4/1985	Koepke	.....	D8/17
D307,331 S *	4/1990	Pflieger	.....	D28/7
5,491,869 A *	2/1996	Sullivan et al.	.....	15/245

D375,353 S *	11/1996	Wolff	.....	D24/116
D421,302 S *	2/2000	Korteweg	.....	D24/119
D527,143 S *	8/2006	Fischer	.....	D28/7
D537,200 S *	2/2007	Montoli	.....	D28/7
D541,979 S *	5/2007	Montoli	.....	D28/7
D544,644 S *	6/2007	Hartstock et al.	.....	D28/7
D586,048 S *	2/2009	Hartstock et al.	.....	D28/76
D591,903 S *	5/2009	Mongeon et al.	.....	D28/7
D591,904 S *	5/2009	Mongeon et al.	.....	D28/7

\* cited by examiner

*Primary Examiner* — Zenia I Bennett

(74) *Attorney, Agent, or Firm* — Cooper & Dunham LLP

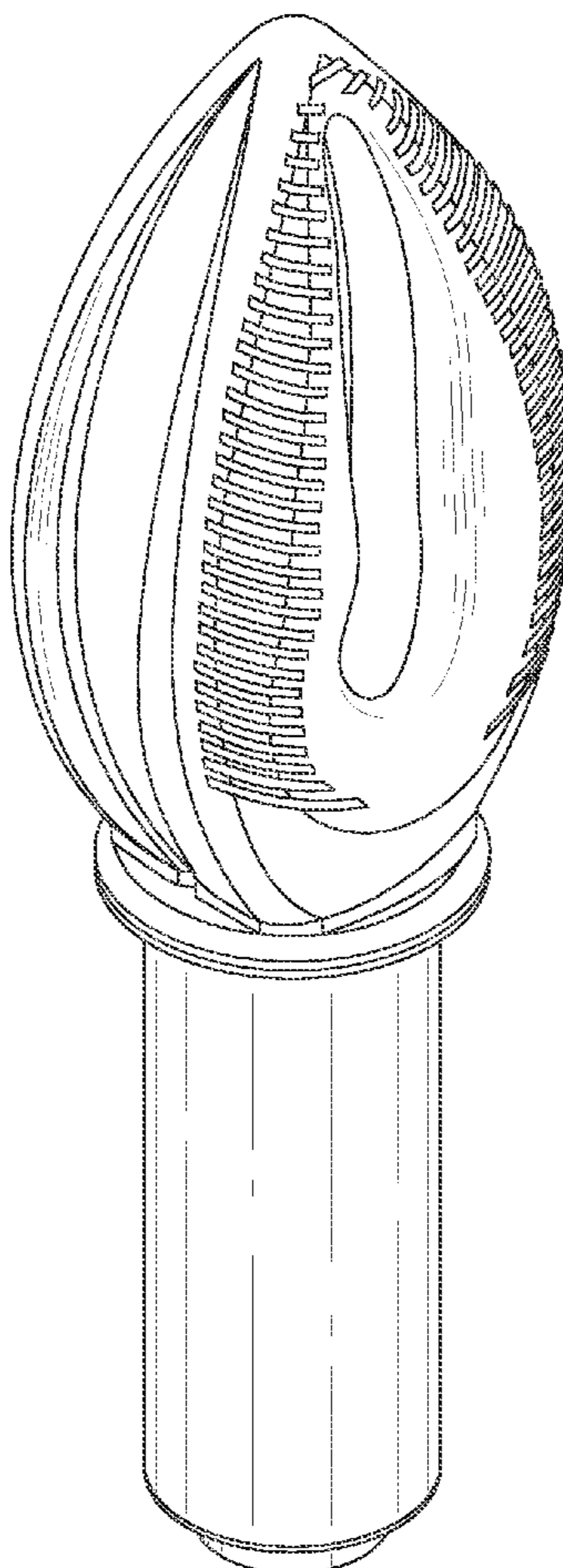
(57) **CLAIM**

The ornamental design for spatula for makeup, as shown and described.

**DESCRIPTION**

FIG. 1 is a perspective view thereof;  
FIG. 2 is a left side view thereof;  
FIG. 3 is a rear view thereof;  
FIG. 4 is an enlarged bottom view thereof;  
FIG. 5 is a front view thereof;  
FIG. 6 is a right side view thereof; and,  
FIG. 7 is an enlarged top view thereof.

**1 Claim, 4 Drawing Sheets**



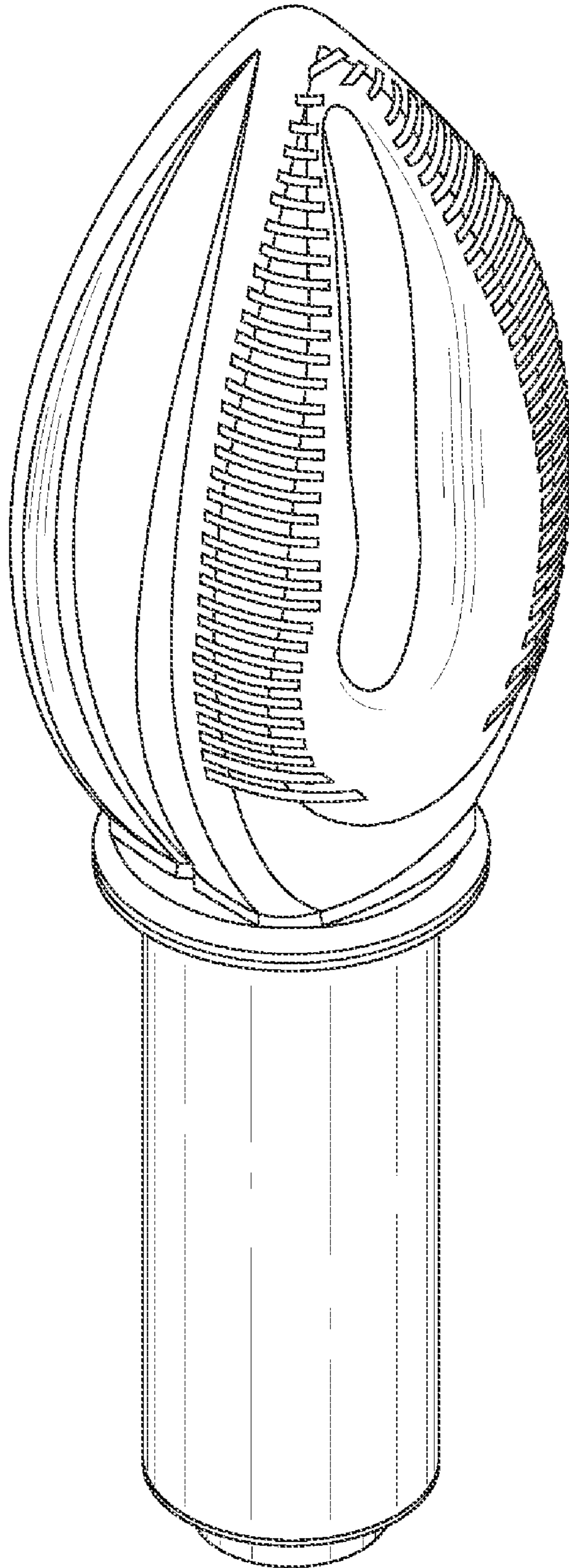


FIG. 1

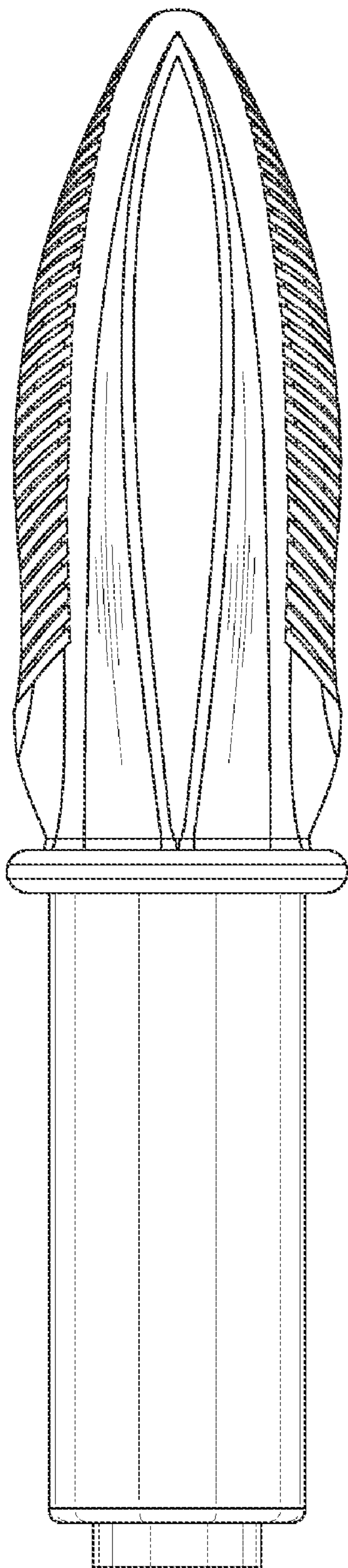


FIG. 2

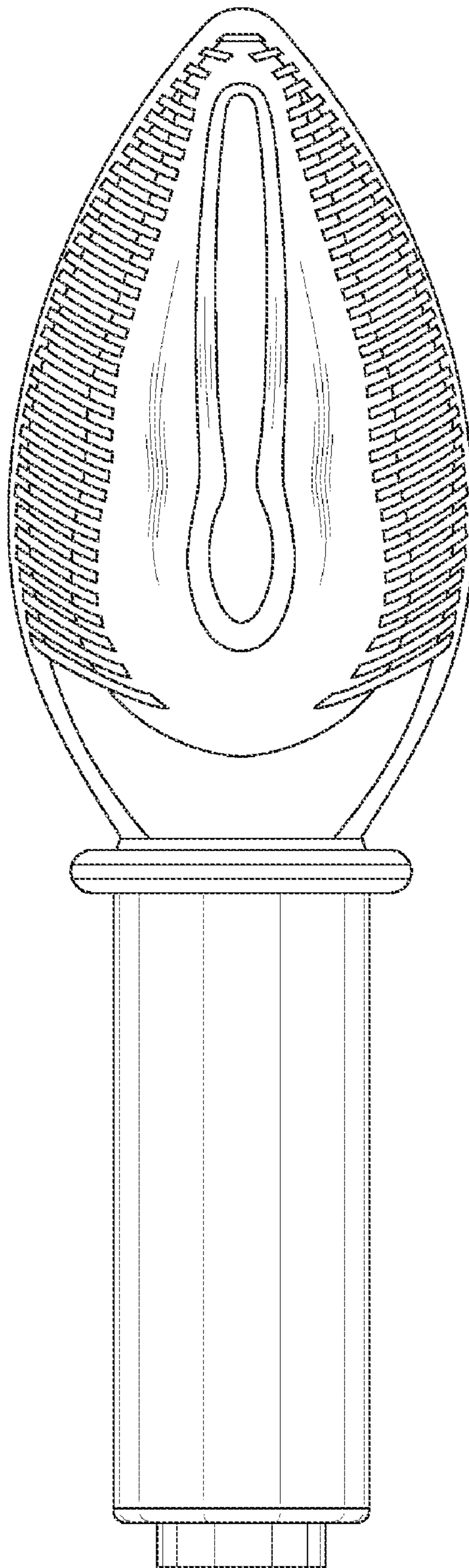


FIG. 3

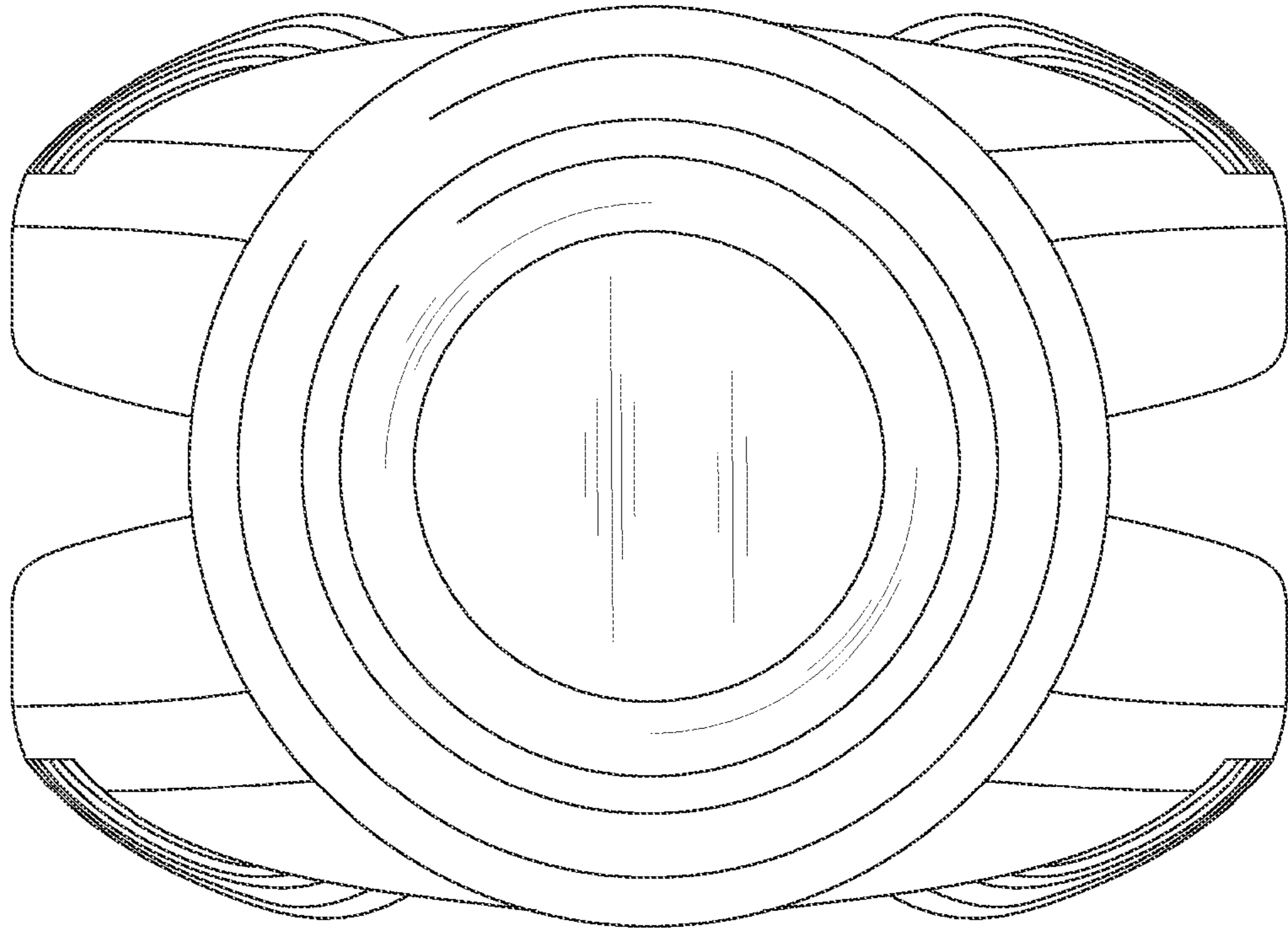


FIG. 4

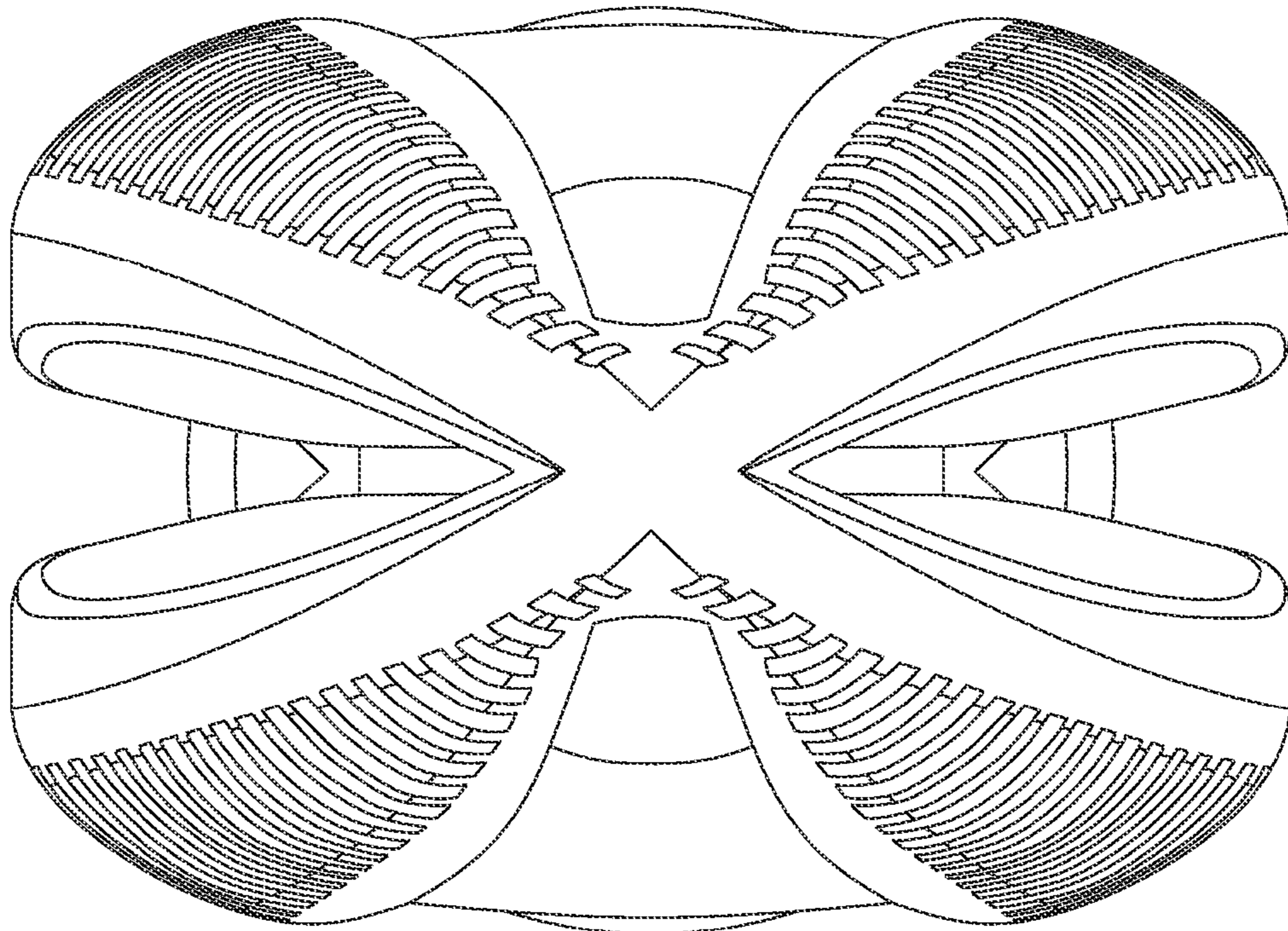


FIG. 7

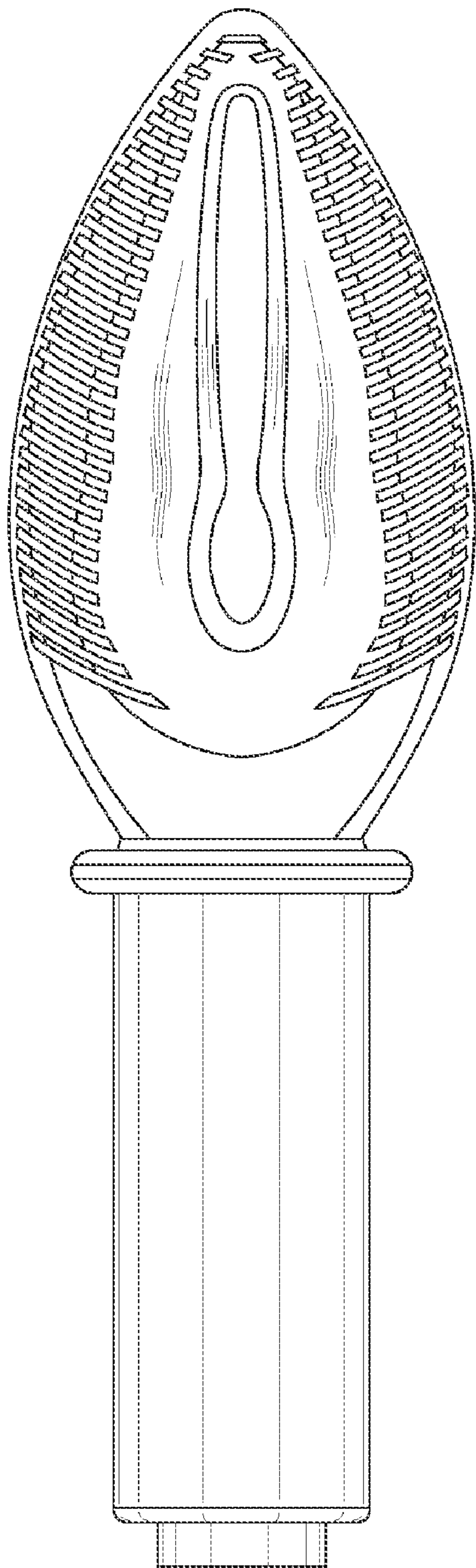


FIG. 5

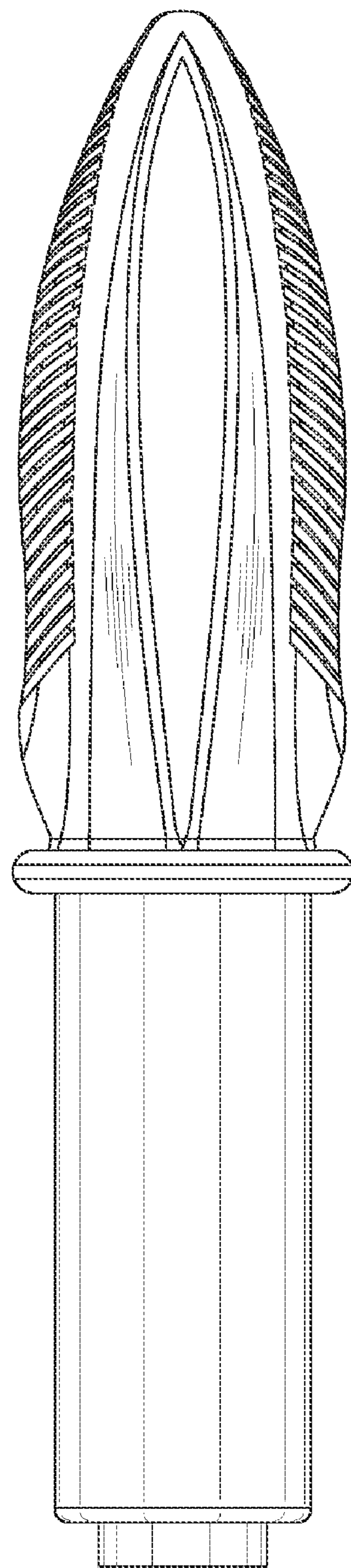


FIG. 6