



US00D638984S

(12) **United States Design Patent**
Gould

(10) **Patent No.:** **US D638,984 S**

(45) **Date of Patent:** **** May 31, 2011**

(54) **SMOKING DEVICE**

(76) Inventor: **Michael D. Gould**, Ft. Collins, CO (US)

(**) Term: **14 Years**

(21) Appl. No.: **29/366,079**

(22) Filed: **Jul. 19, 2010**

(51) **LOC (9) Cl.** **27-02**

(52) **U.S. Cl.** **D27/163**

(58) **Field of Classification Search** D27/162-169;
131/329, 330, 193-194, 196, 270, 336, 360,
131/361, 174, 173, 176, 198.1, 214, 216,
131/222

See application file for complete search history.

(56) **References Cited**

U.S. PATENT DOCUMENTS

D230,775 S *	3/1974	Frost	D27/162
D245,343 S *	8/1977	Kahler	D27/162
D261,439 S *	10/1981	Sher	D27/162
D262,142 S *	12/1981	Sher	D27/162
D262,145 S *	12/1981	Sher	D27/162

D262,831 S *	1/1982	Sher	D27/162
D368,325 S *	3/1996	Heine	D27/162
D371,632 S *	7/1996	Truelove	D27/163
D464,169 S *	10/2002	McAuley	D27/162

* cited by examiner

Primary Examiner — Jennifer Rivard

(57) **CLAIM**

The ornamental design for a smoking device, as shown and described.

DESCRIPTION

FIG. 1 is a perspective view of a smoking device showing my new design.

FIG. 2 is an exploded perspective view of the smoking device.

FIG. 3 is a right side view of the smoking device.

FIG. 4 is a left side view of the smoking device.

FIG. 5 is a front view of the smoking device.

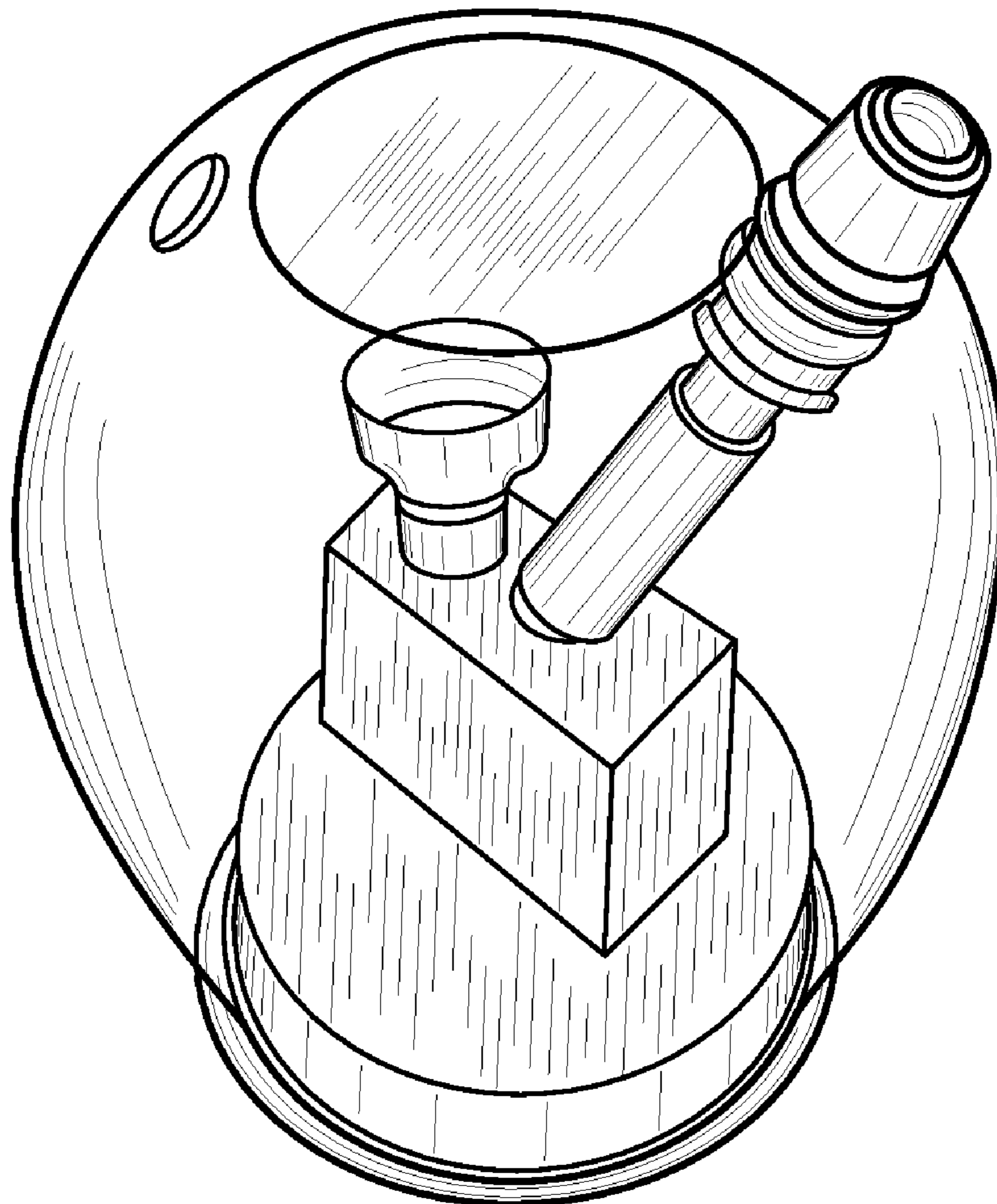
FIG. 6 is a right side view of the smoking device.

FIG. 7 is a top view of the smoking device; and,

FIG. 8 is a bottom view of the smoking device.

Items shown in dashed lines are for reference purposes only.

1 Claim, 7 Drawing Sheets



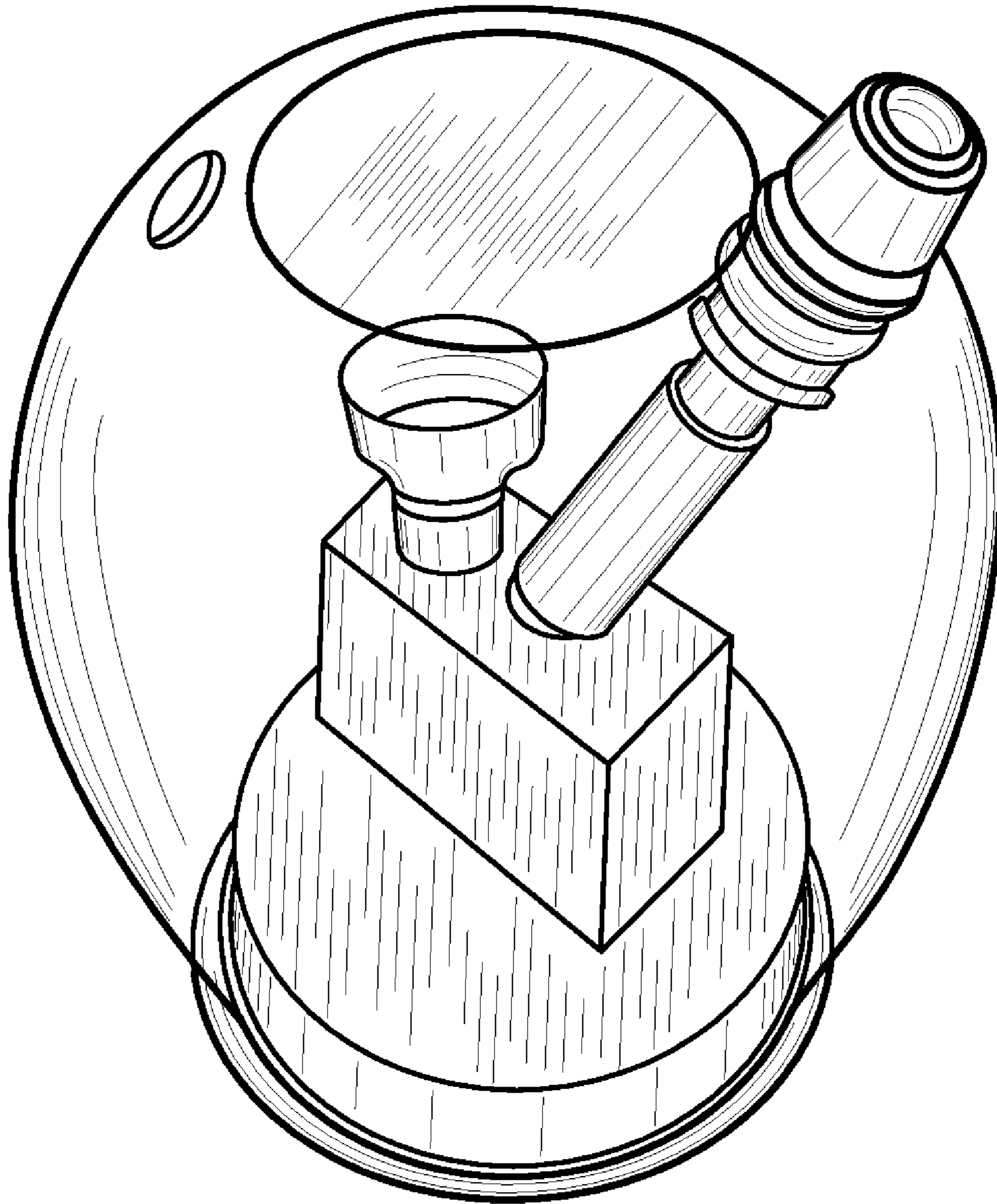


FIG. 1

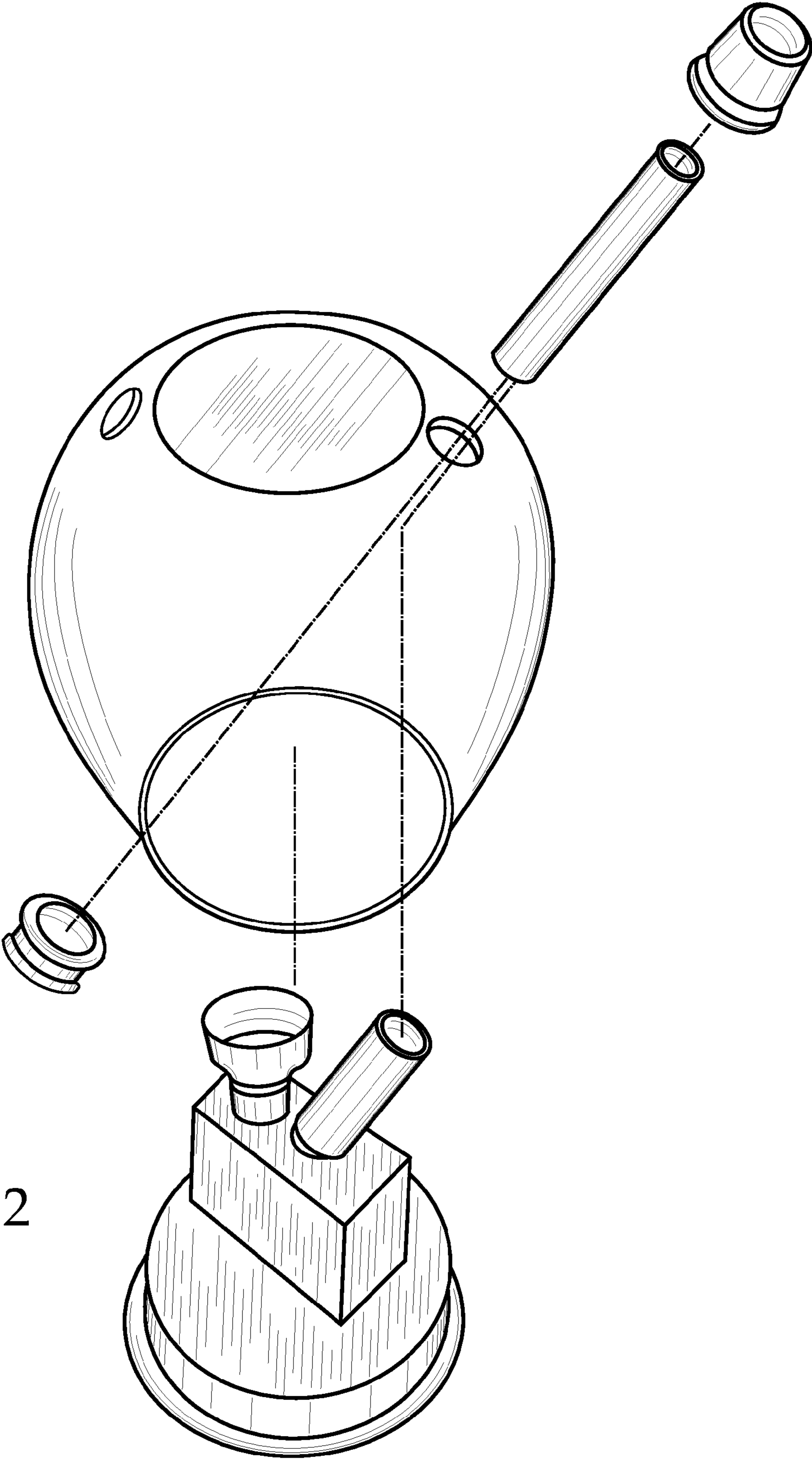


FIG. 2

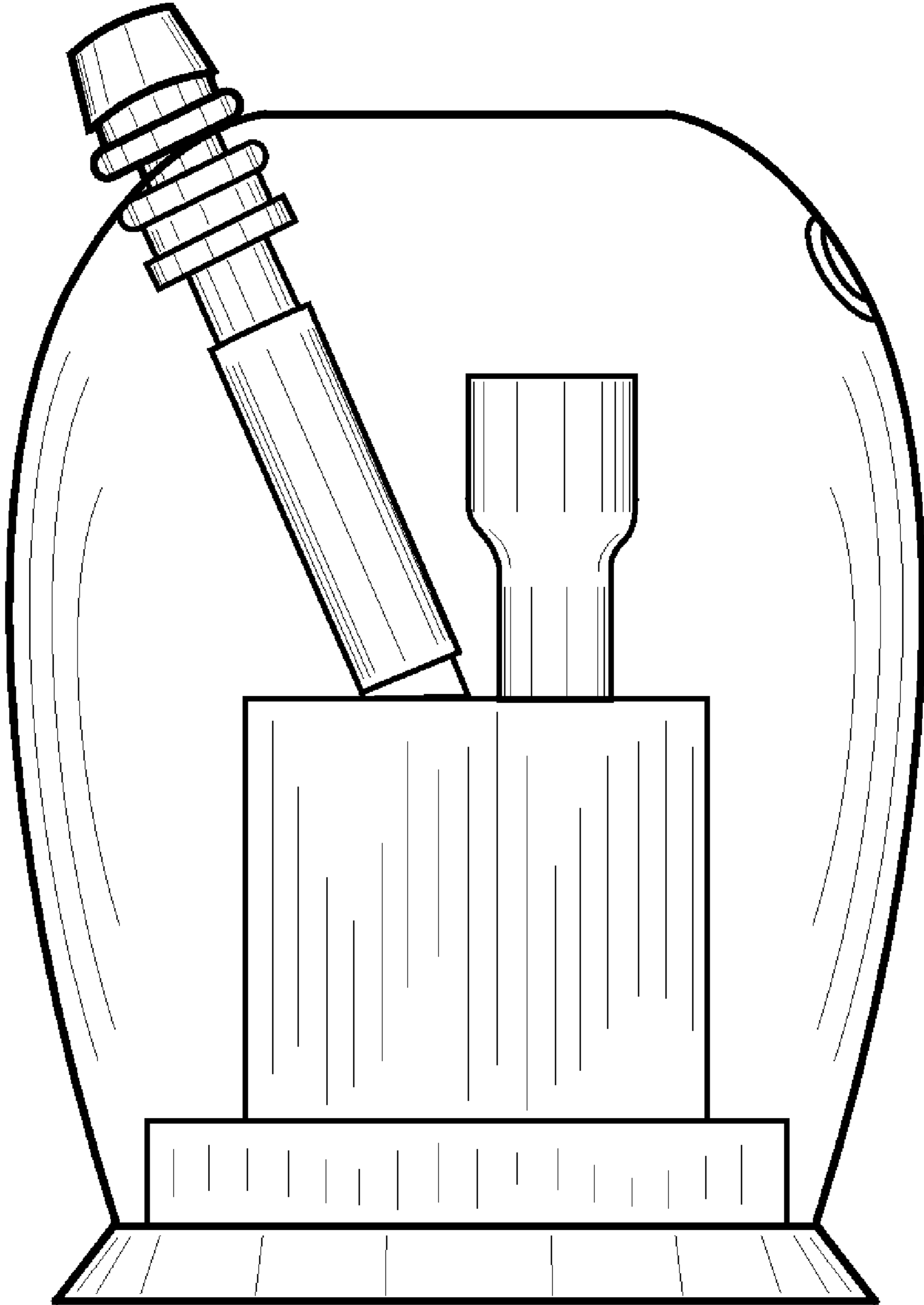


FIG. 3

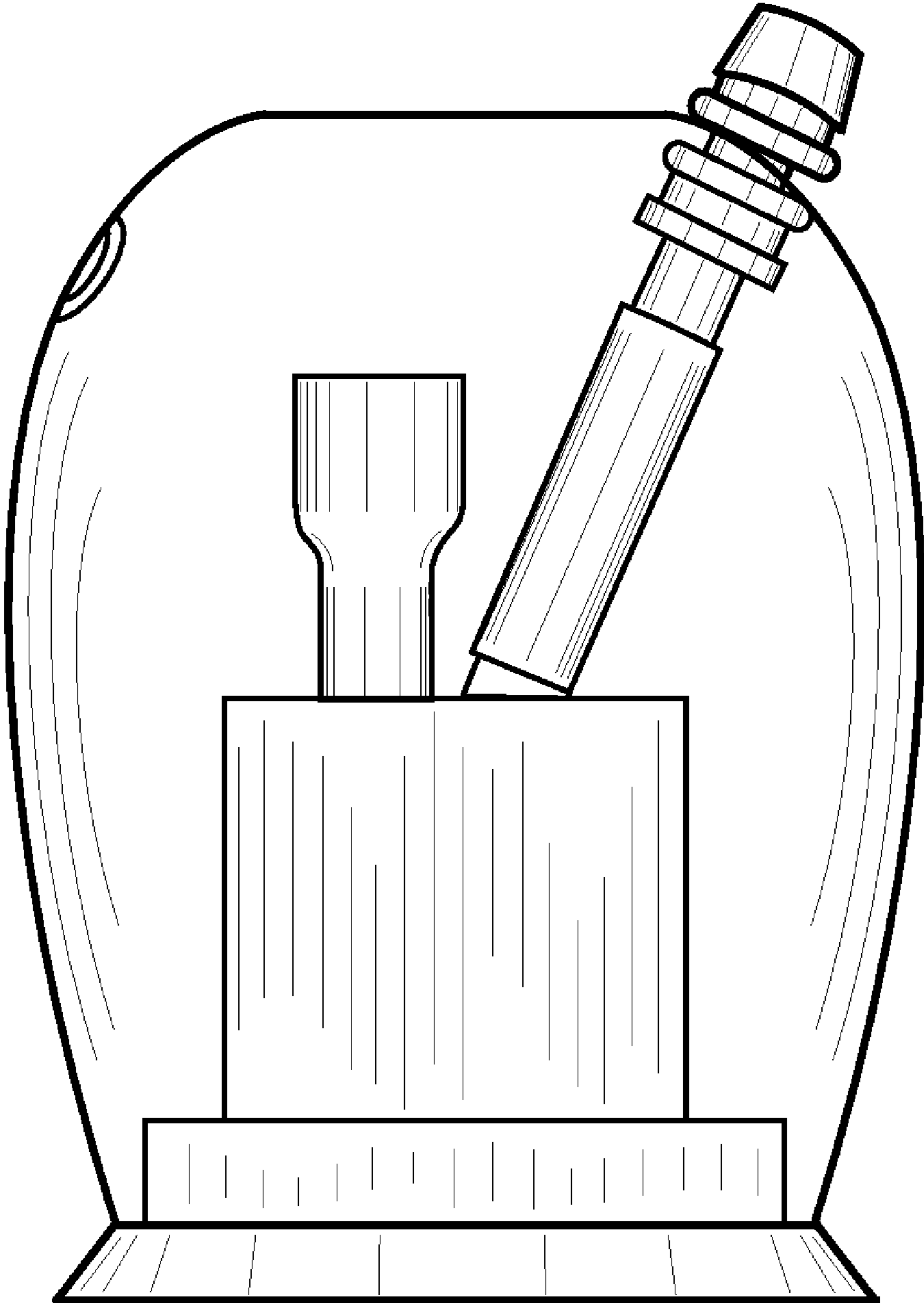


FIG. 4

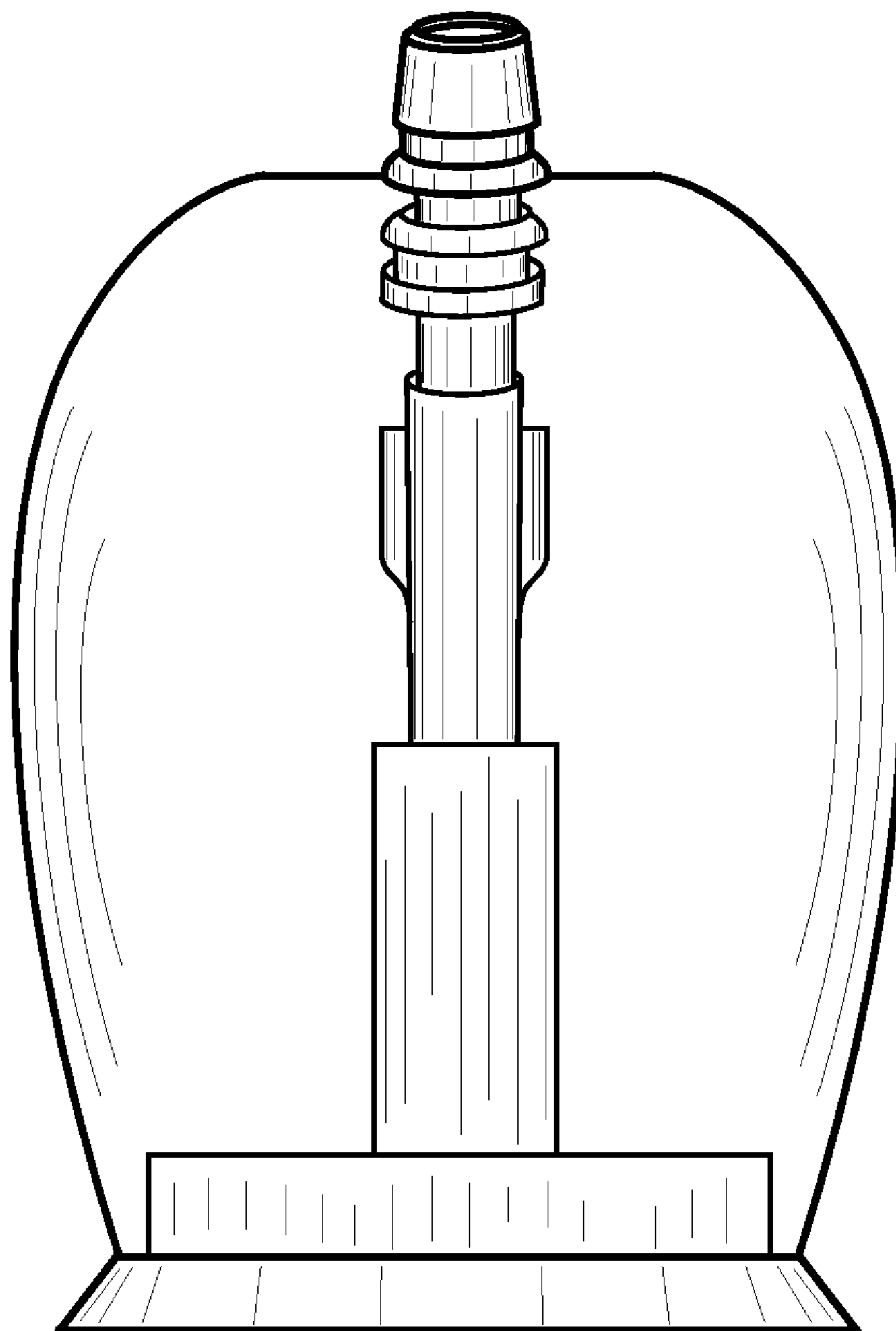


FIG. 5

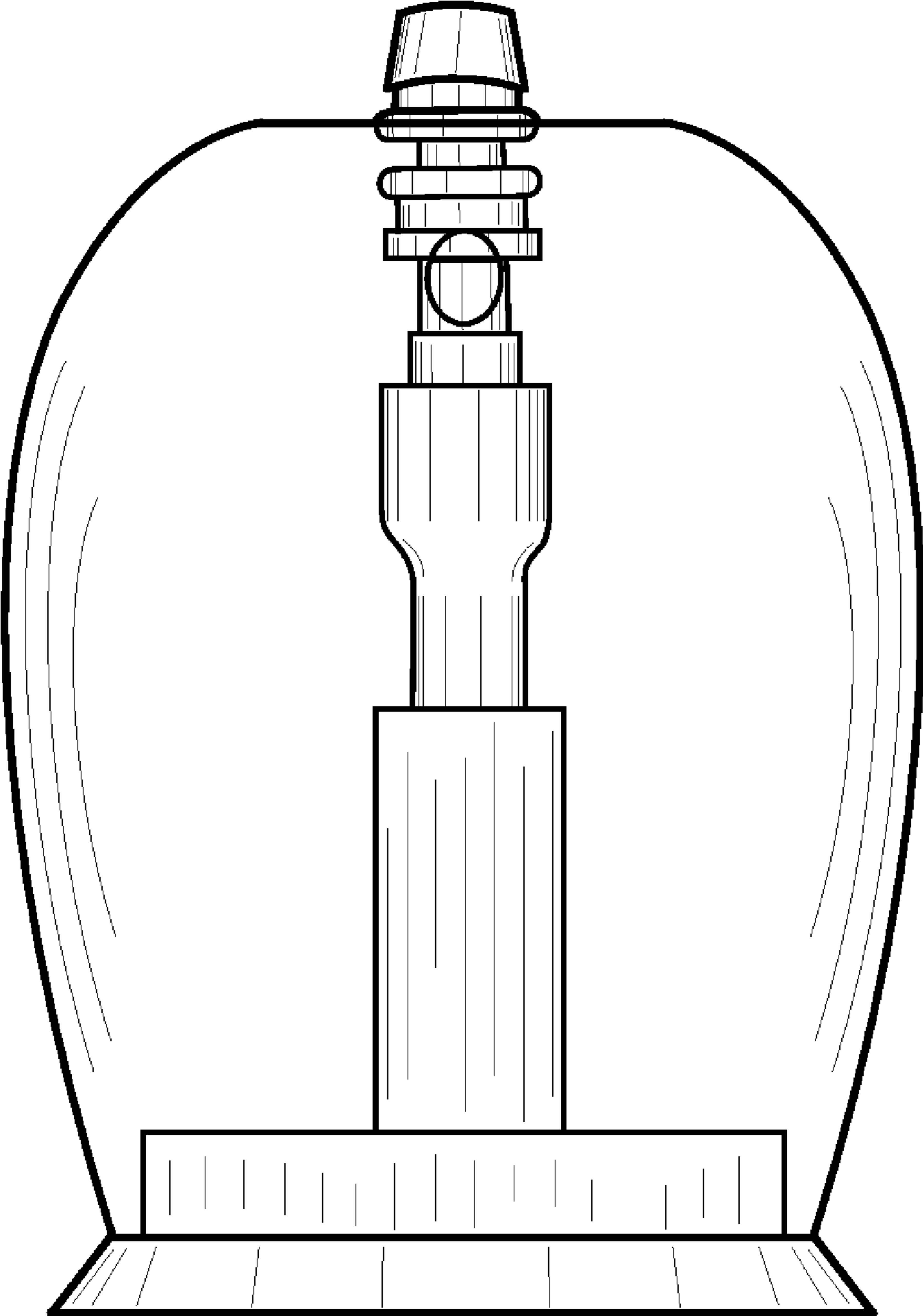


FIG. 6

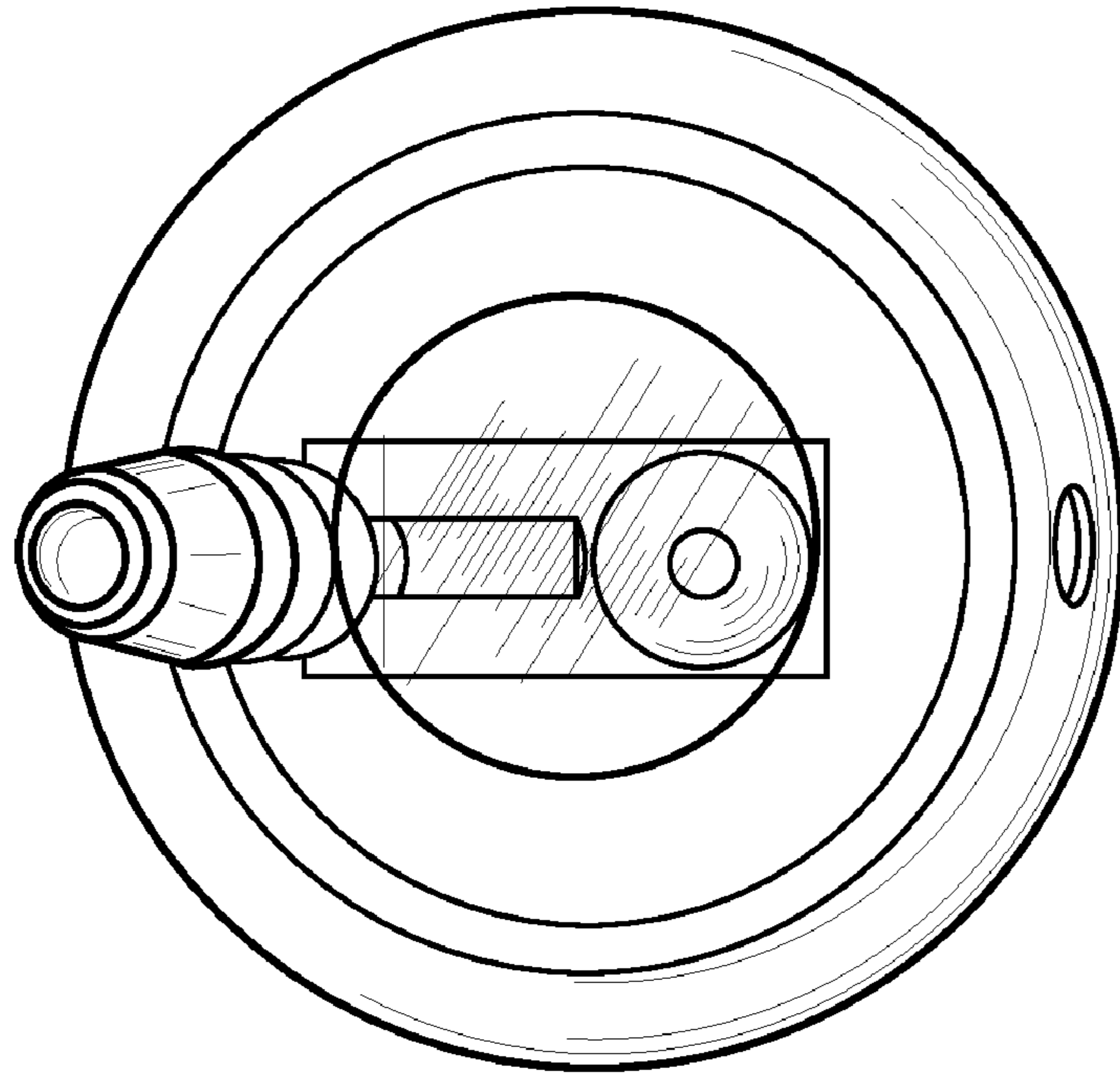


FIG. 7

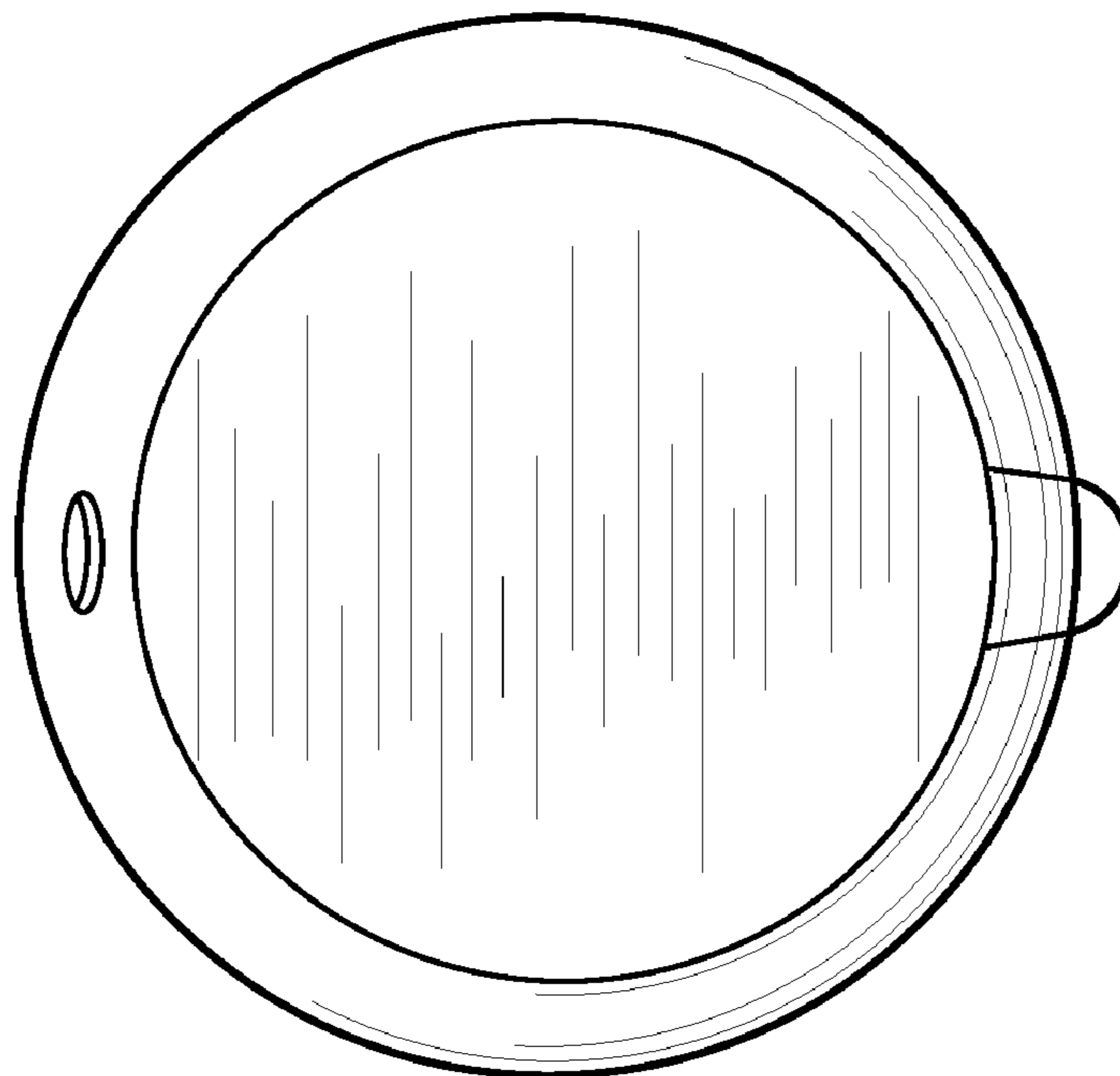


FIG. 8