



US00D638981S

(12) **United States Design Patent**
Friedman

(10) **Patent No.:** **US D638,981 S**

(45) **Date of Patent:** **** *May 31, 2011**

(54) **REPEATING ELEMENT OF A LIGHTING FIXTURE**

(75) Inventor: **Frank A. Friedman**, Mill Valley, CA (US)

(73) Assignee: **ABL IP Holding, LLC**, Conyers, GA (US)

(**) Term: **14 Years**

(21) Appl. No.: **29/375,377**

(22) Filed: **Sep. 21, 2010**

(51) **LOC (9) Cl.** **26-99**

(52) **U.S. Cl.** **D26/118**

(58) **Field of Classification Search** D26/154,
D26/1, 2, 120, 124, 63, 118, 85, 140, 155,
D26/122, 88, 90, 76, 75, 93, 113, 119, 128,
D26/145; 362/405, 147, 297, 285, 346, 349,
362/18, 122; D23/366; 345/163, 156, 158;
D14/402, 405, 408, 409; D8/354, 356, 373,
D8/349, 380; D13/179, 180; D11/89, 90,
D11/121

See application file for complete search history.

(56) **References Cited**

U.S. PATENT DOCUMENTS

D128,364 S * 7/1941 Cruze D26/108

(Continued)

OTHER PUBLICATIONS

Peerless Lighting, Product Brochure, 6 x 2 Lightfin Diminutive Indirect, 1997.

Primary Examiner — Cathron Brooks

Assistant Examiner — Kevin K Rudzinski

(74) *Attorney, Agent, or Firm* — Donald L. Beeson

(57) **CLAIM**

The ornamental design for a repeating element of a lighting fixture, as shown and described.

DESCRIPTION

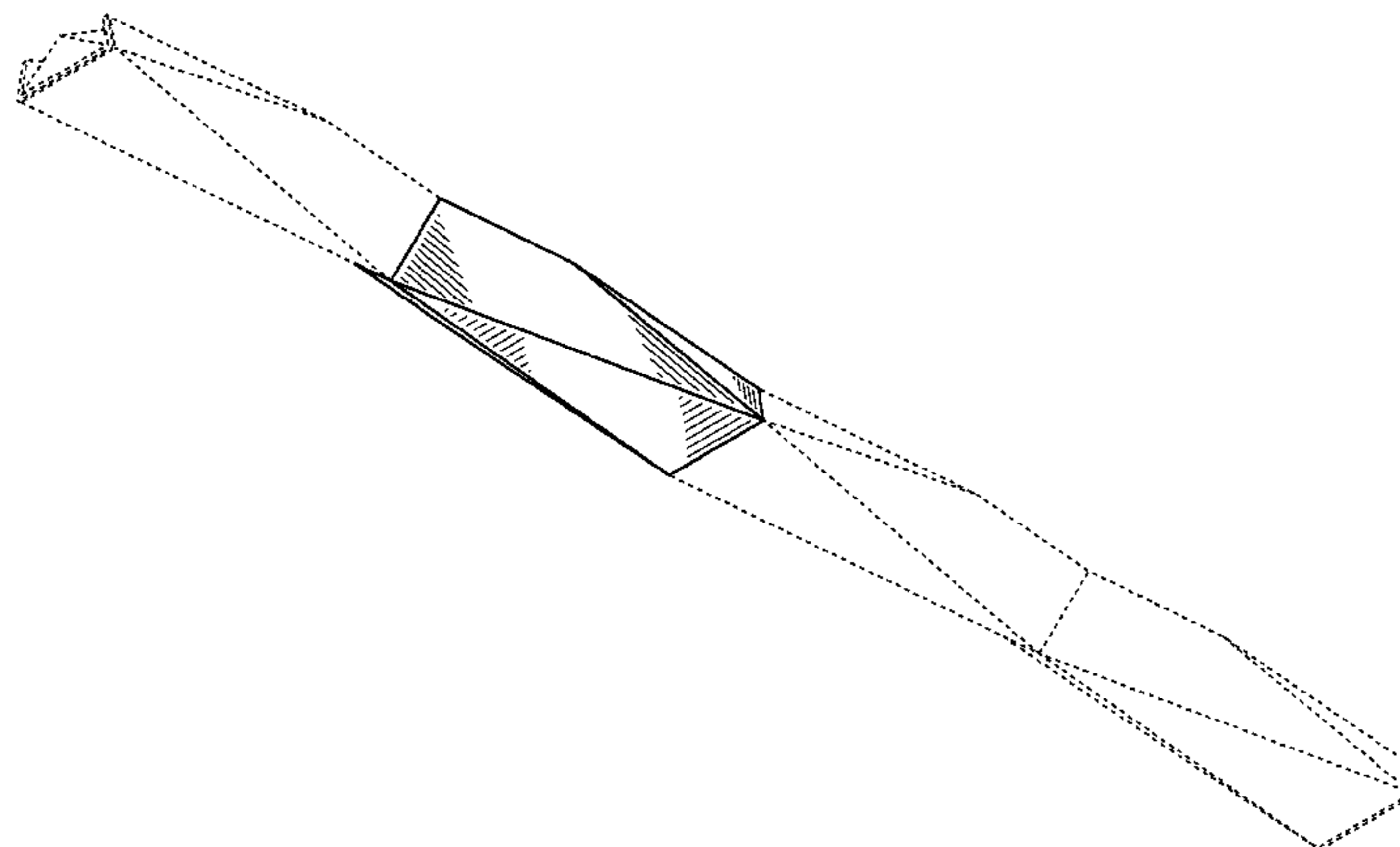
FIG. 1 is a bottom perspective view of a repeating element of a lighting fixture showing my new design;

FIG. 2 is a bottom plan view thereof;
FIG. 3 is a side elevational view thereof as seen along lines 3—3 in FIG. 2; the other side being a mirror image;
FIG. 4 is an enlarged end elevational view thereof as seen along lines 4—4 in FIG. 3;
FIG. 5 is an enlarged end elevational view thereof as seen along lines 5—5 in FIG. 3;
FIG. 6 another bottom perspective view thereof showing the repeating element of a lighting fixture in another lighting fixture configuration;
FIG. 7 is a bottom plan view thereof; and
FIG. 8 is a side elevational view thereof as seen along lines 8—8 in FIG. 7; the other side being a mirror image.
FIG. 9 is a bottom perspective view of a repeating element of a lighting fixture showing another embodiment of my new design, and showing the repeating element of a lighting fixture in yet another lighting fixture configuration;
FIG. 10 is a bottom plan view thereof; and
FIG. 11 is a side elevational view thereof as seen along lines 11—11 in FIG. 10; the other side being a mirror image.
FIG. 12 is a bottom perspective view of a repeating element of a lighting fixture showing still another embodiment of my new design;
FIG. 13 is a bottom plan view thereof;
FIG. 14 is a side elevational view thereof as seen along lines 14—14 in FIG. 13; the other side being a mirror image;
FIG. 15 is an enlarged end elevational view thereof as seen along lines 15—15 in FIG. 14; and,
FIG. 16 is an enlarged end elevational view thereof as seen along lines 16—16 in FIG. 14.

The top of the repeating element of a lighting fixture is not part of the claimed design and therefore is not shown. The ends of the repeating element of a lighting fixture shown in FIGS. 6-8 as seen along arrows 4—4 and 5—5 in FIG. 8 are identical to the ends of the embodiment of the lighting fixture shown in FIGS. 1-5, and are shown in FIGS. 4 and 5. The ends of the embodiment of the lighting fixture shown in FIGS. 9-11 as seen along arrows 4-4 and 5—5 in FIG. 11 are substantially identical to the ends of the embodiment of the lighting fixture shown in FIGS. 1-5, as shown in FIGS. 4 and 5.

The broken line illustration of complete lighting fixtures shown in FIGS. 1-2 and 6-14 illustrate environmental structure and form no part of the claimed design. The broken lines in FIGS. 4, 5, 15 and 16 represent the bounds of the claimed design; the regions inside these broken lines form no part of the claimed design.

1 Claim, 4 Drawing Sheets



US D638,981 S

Page 2

U.S. PATENT DOCUMENTS

D136,382 S *	9/1943	Guth	D26/138	D316,301 S *	4/1991	Michael	D26/24
D178,575 S *	8/1956	Larson	D26/24	D321,409 S *	11/1991	Bischof et al.	D26/91
D201,765 S *	7/1965	Mox	D26/71	D346,870 S *	5/1994	Houssian	D26/26
D203,405 S *	1/1966	Crawford	D26/90	5,386,993 A *	2/1995	Apsan	273/153 S
D205,004 S *	6/1966	Puszka	D26/122	D394,518 S *	5/1998	Burrow	D26/85
D210,553 S *	3/1968	Wilkerson	D26/94	D500,878 S *	1/2005	Lewis et al.	D26/76
D236,646 S *	9/1975	Stewart	D26/85	D519,237 S *	4/2006	Kopp	D26/76
D239,460 S *	4/1976	Schacht	D26/84	D541,971 S *	5/2007	Hamel et al.	D26/85
4,428,030 A *	1/1984	Baliozian	362/18	D563,589 S *	3/2008	Hariri et al.	D26/88
4,616,293 A *	10/1986	Baliozian	362/7	D567,426 S *	4/2008	Chiu	D26/85
D293,723 S *	1/1988	Buttner	D26/129	D581,090 S *	11/2008	Colleran et al.	D26/122
D313,861 S *	1/1991	Michael	D26/26				

* cited by examiner

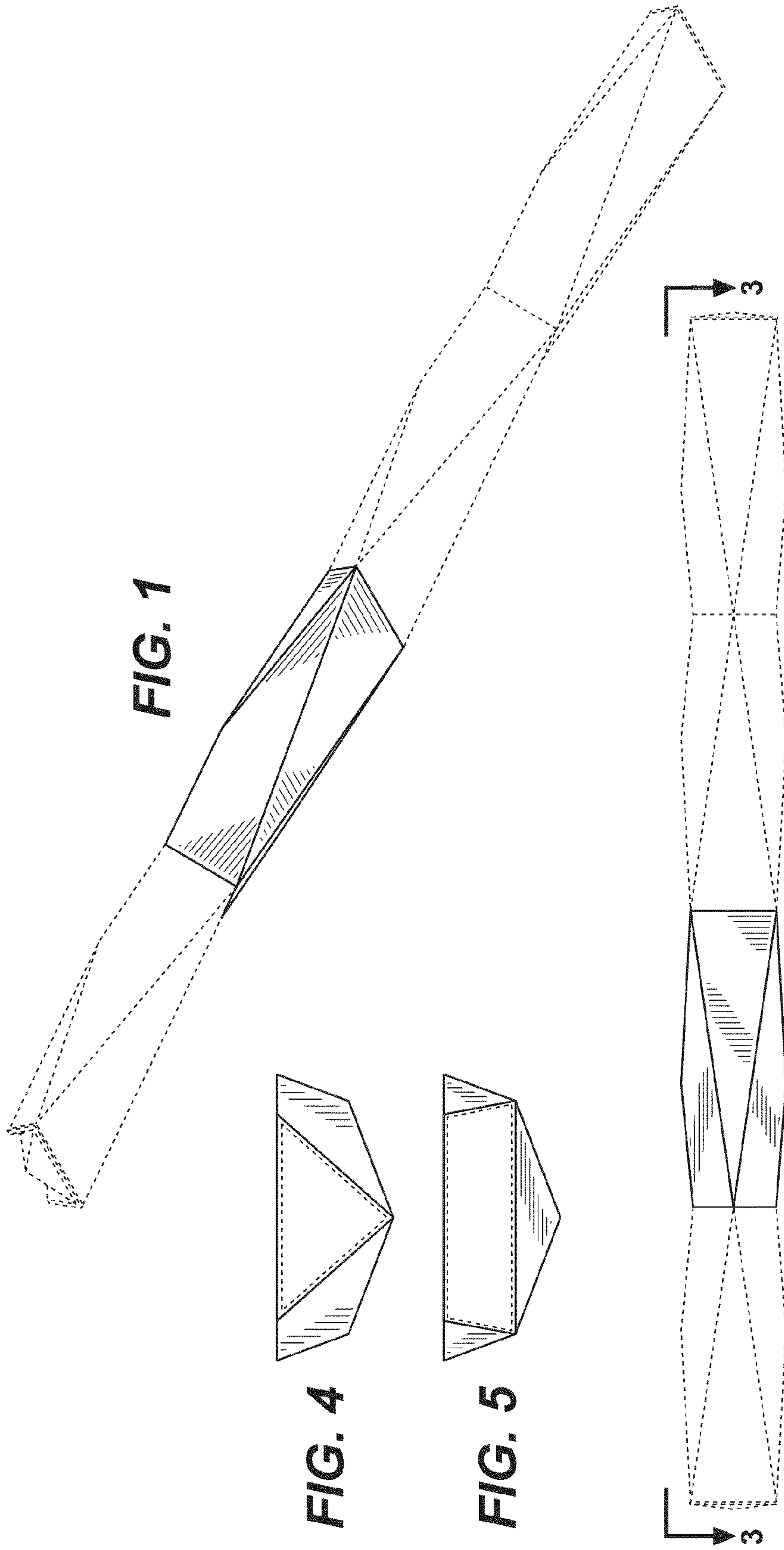


FIG. 1

FIG. 4

FIG. 5

FIG. 2

FIG. 3

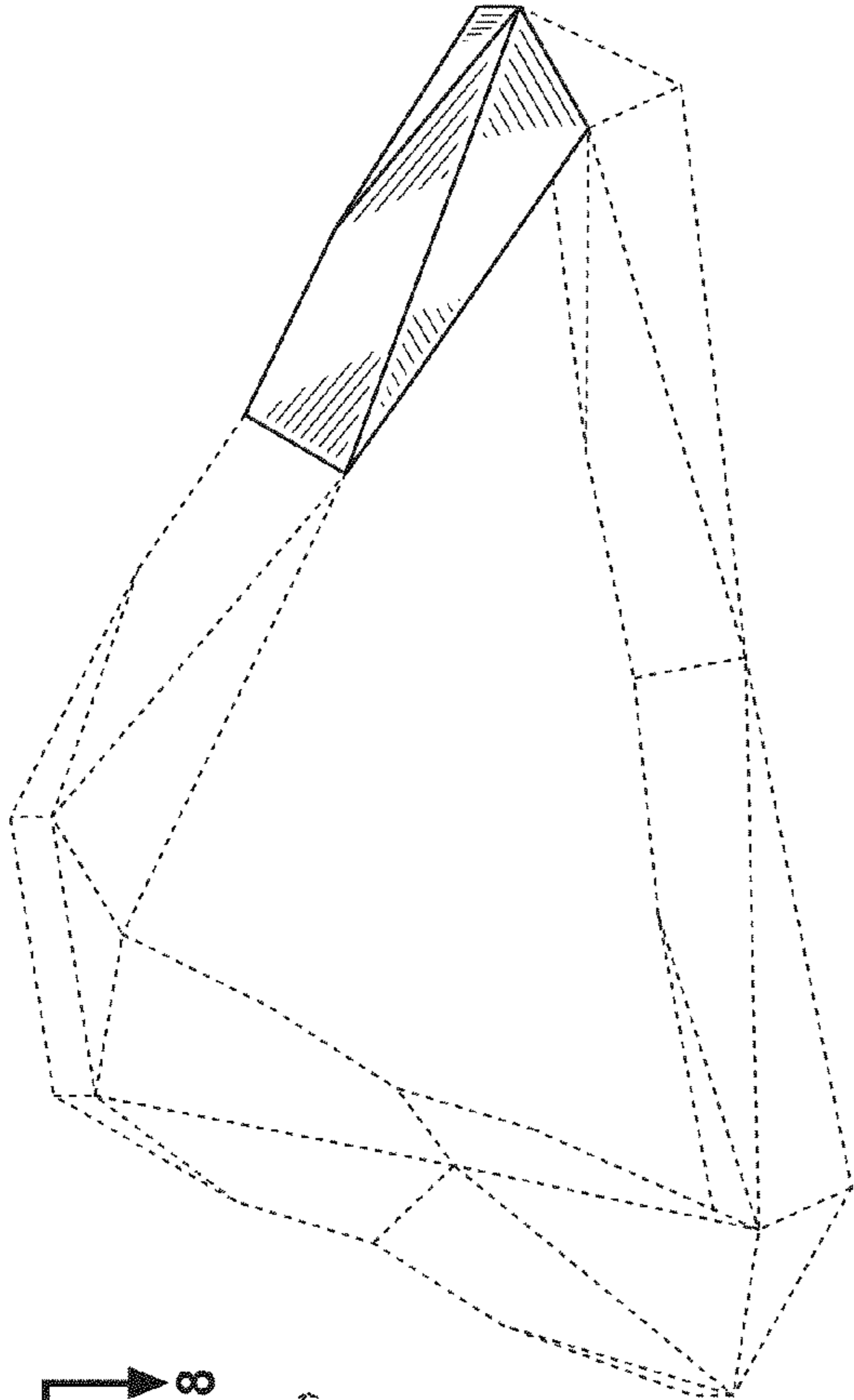


FIG. 6

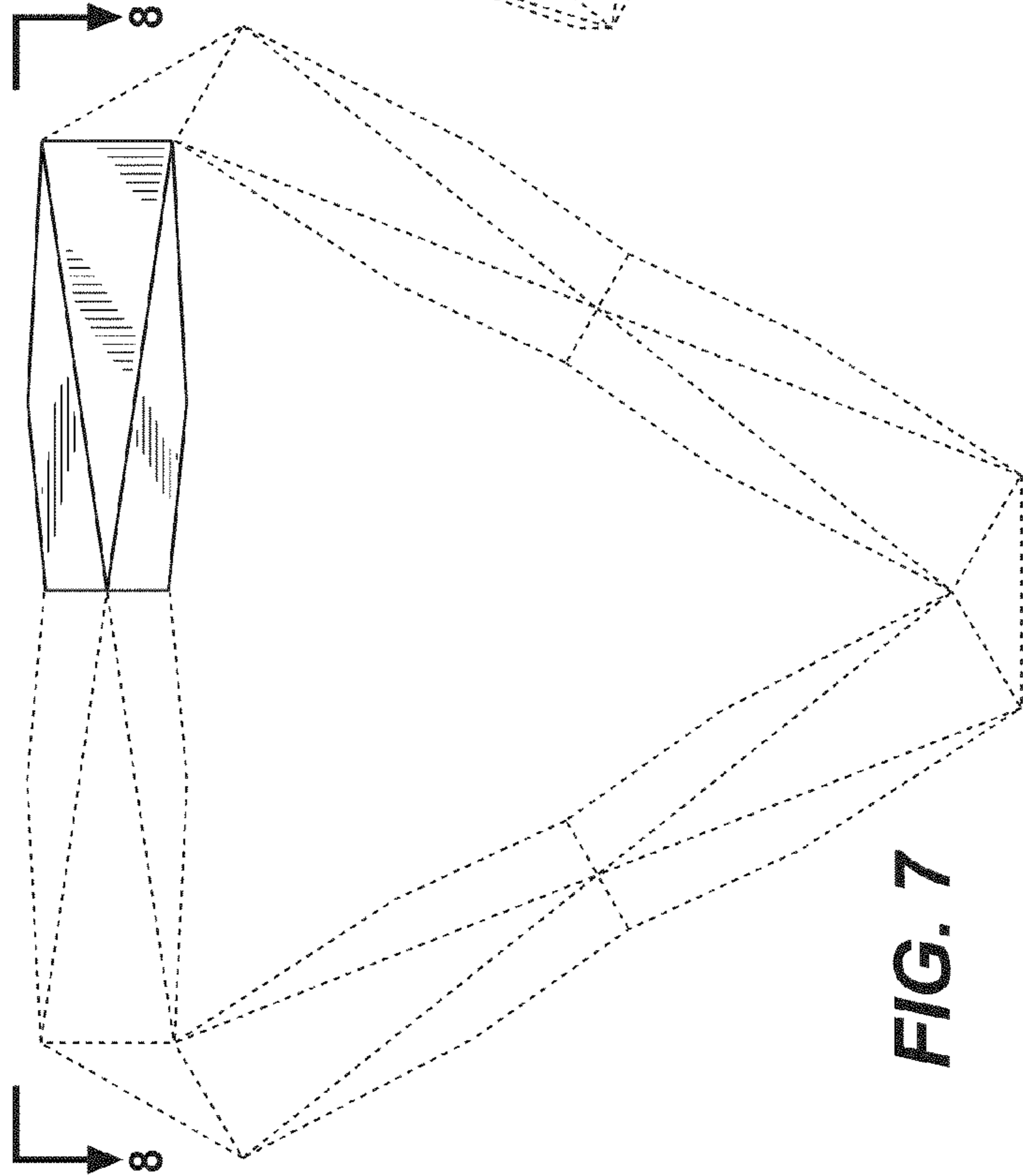


FIG. 7

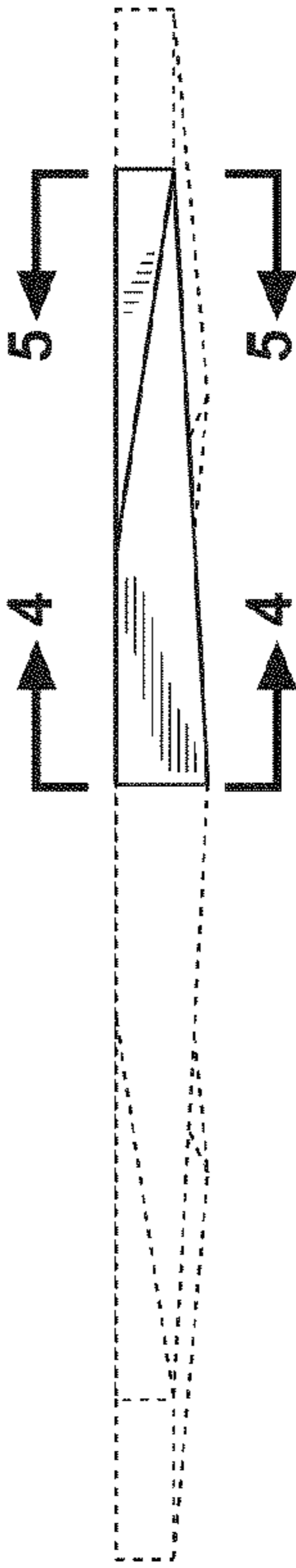


FIG. 8

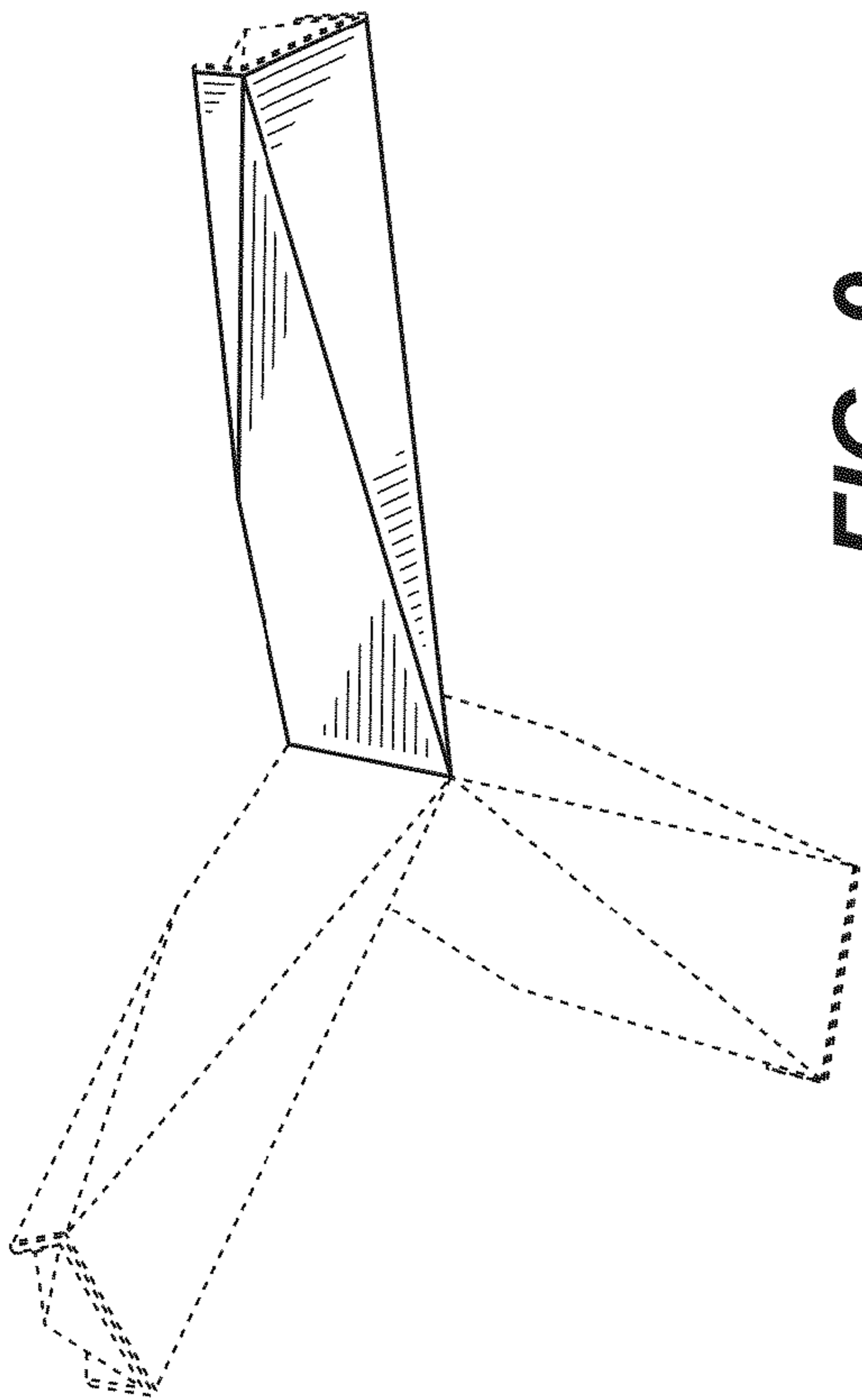


FIG. 9

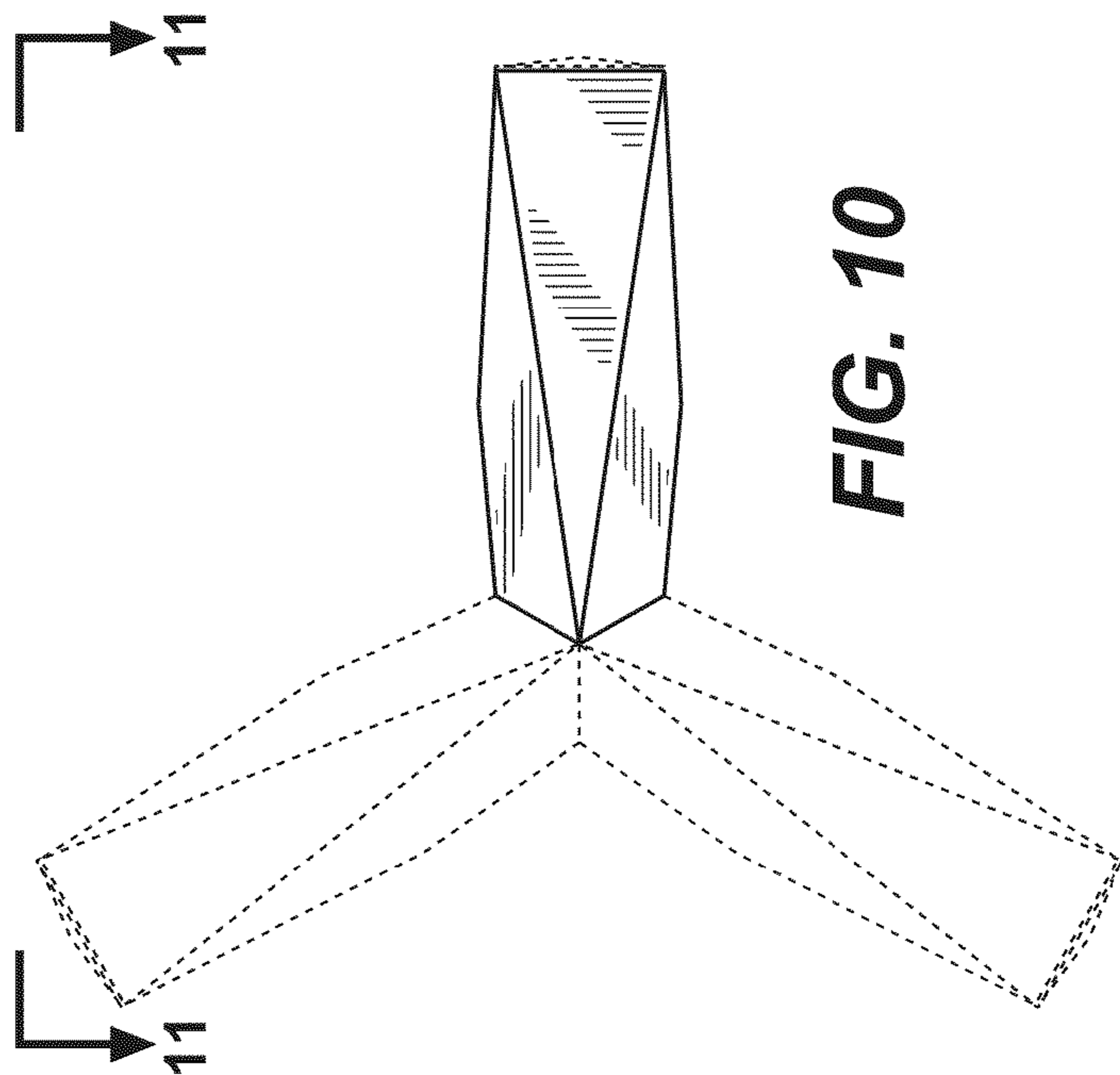


FIG. 10

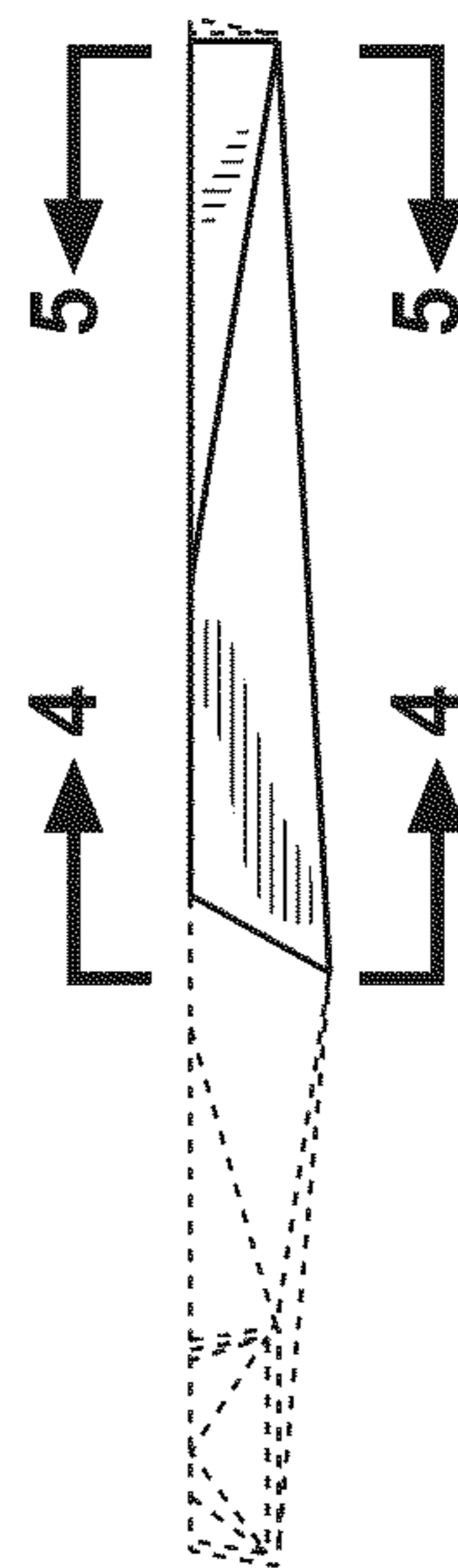


FIG. 11

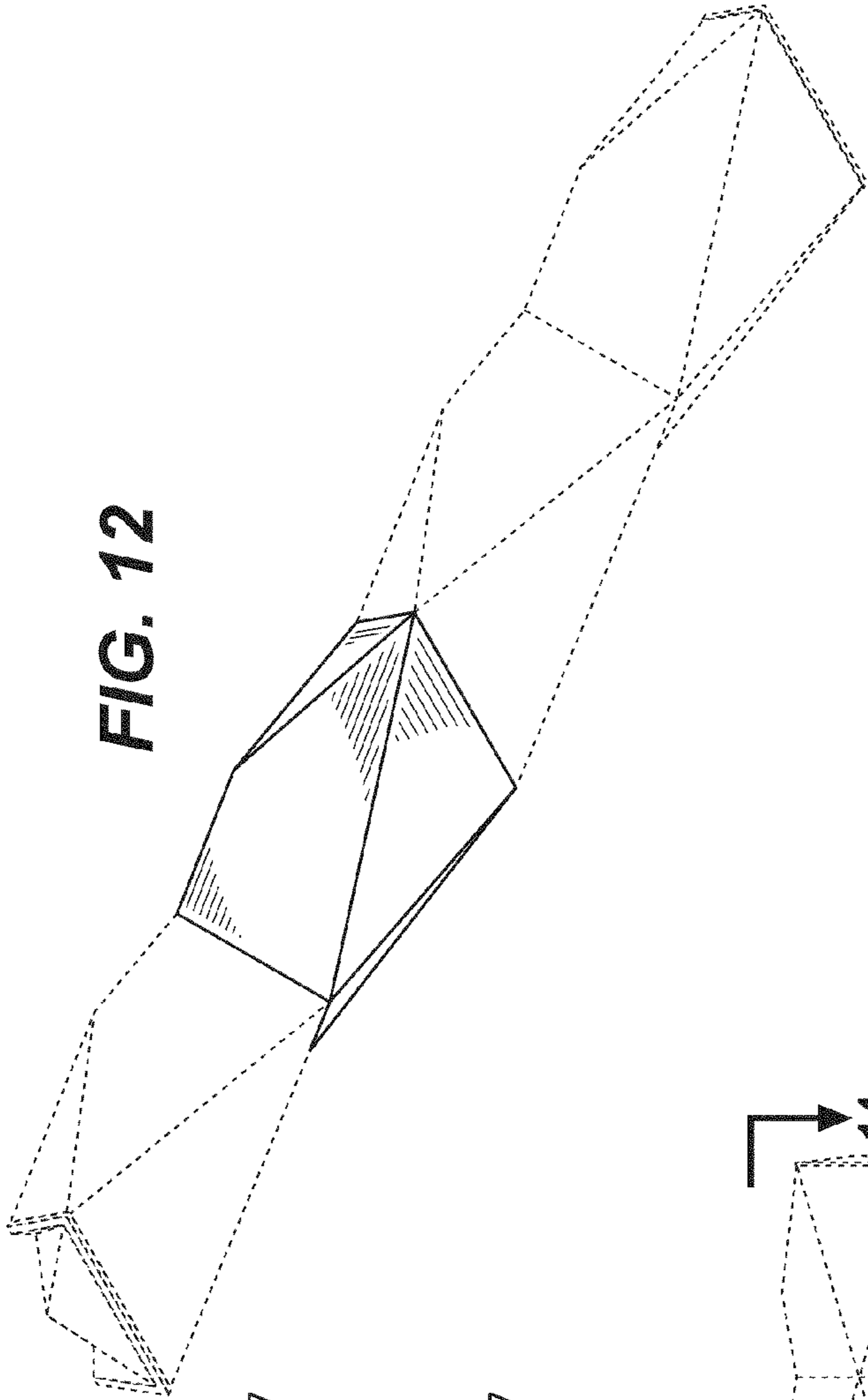


FIG. 12

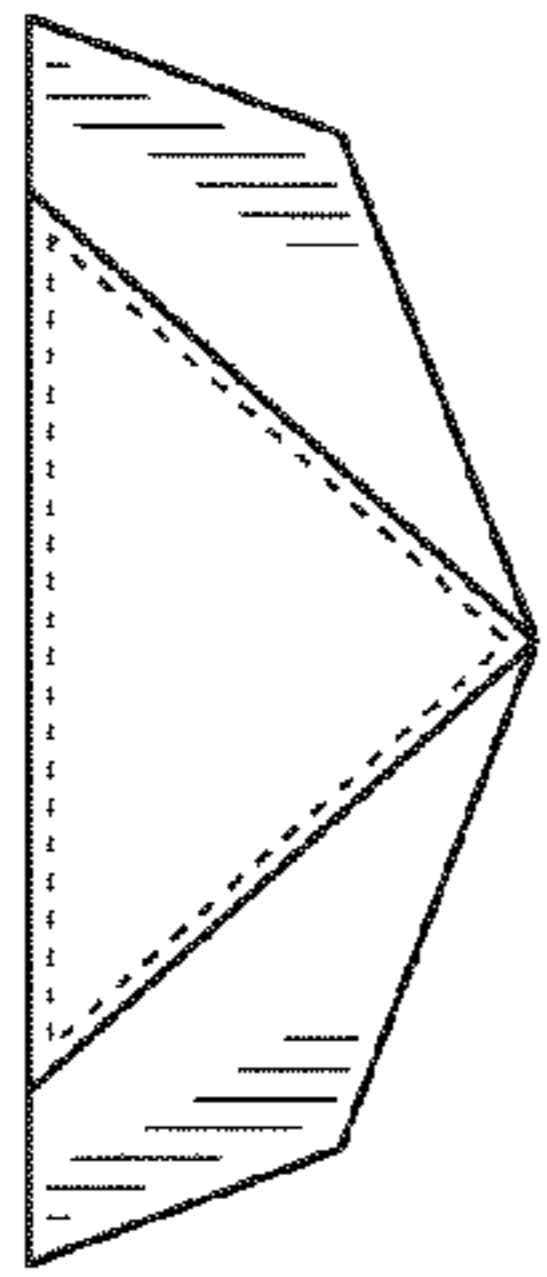


FIG. 15

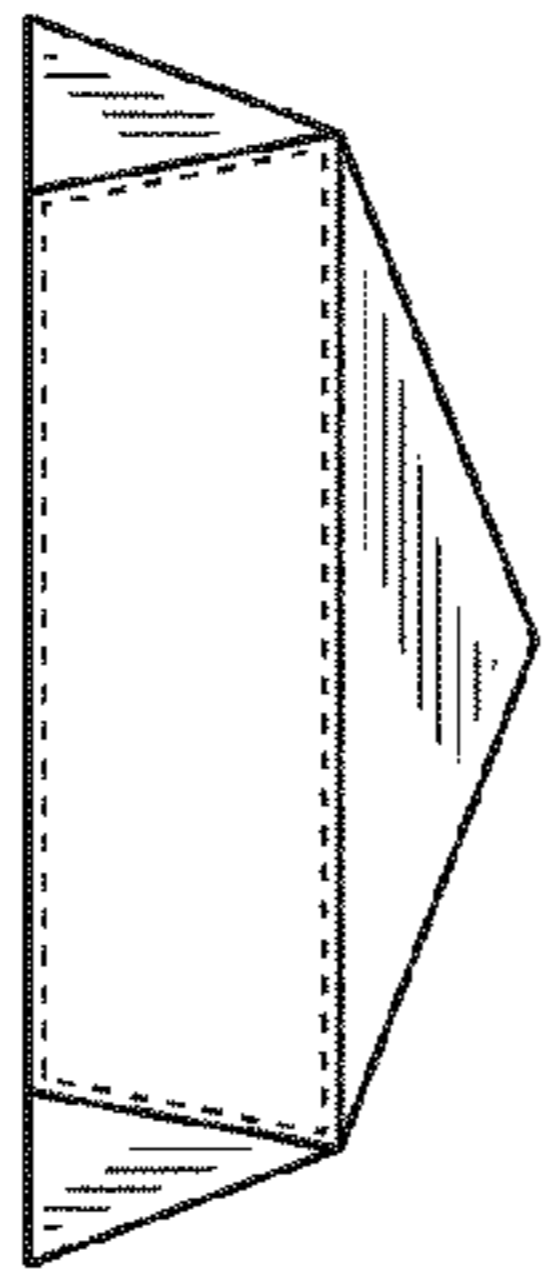


FIG. 16

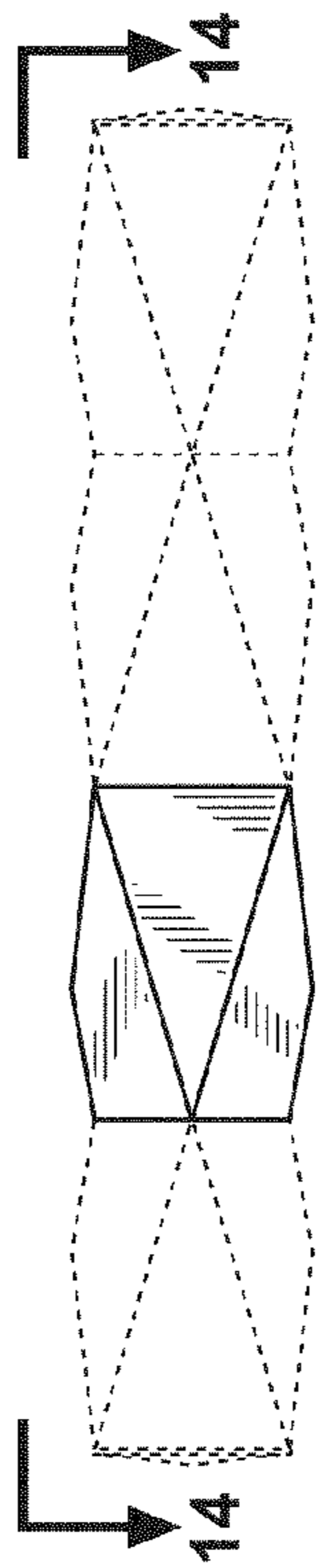


FIG. 13

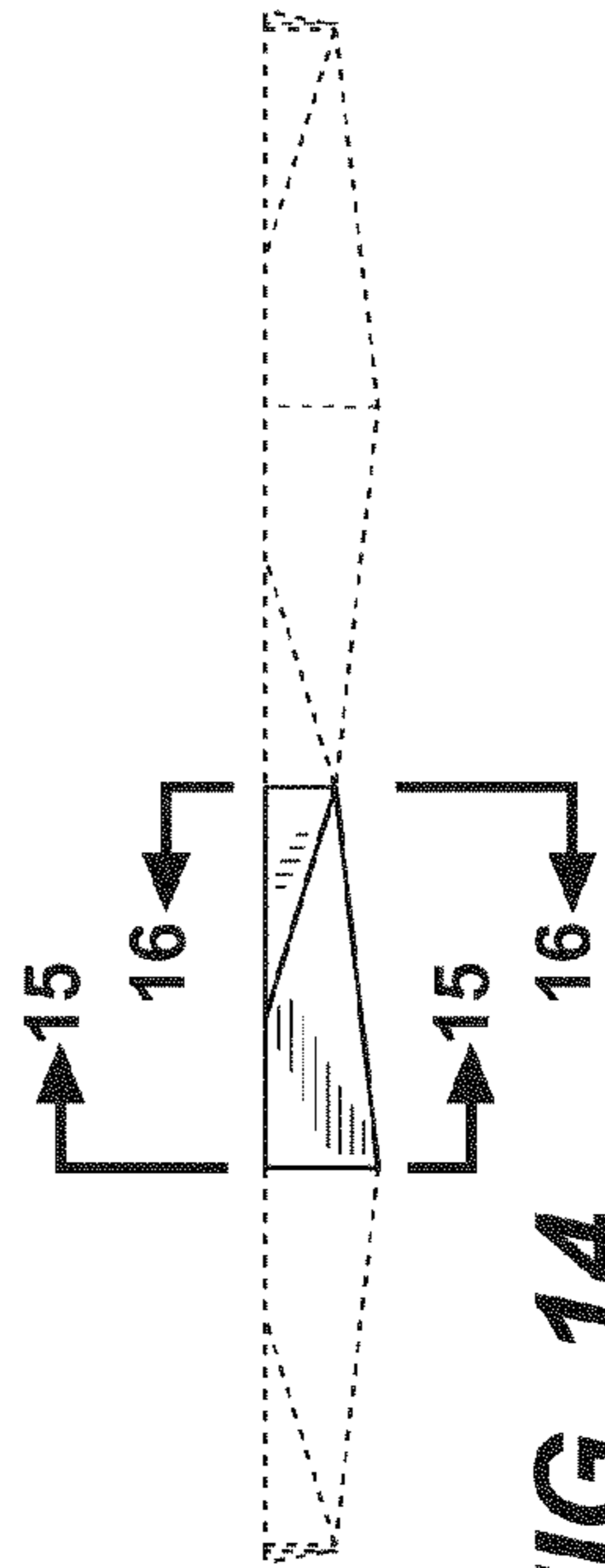


FIG. 14