



US00D638979S

(12) **United States Design Patent**
Sun et al.

(10) **Patent No.:** **US D638,979 S**

(45) **Date of Patent:** **** May 31, 2011**

(54) **LAMP**

(75) Inventors: **Sheng-Chyan Sun**, Chiayi (TW);
Chin-Hsiung Chen, Taipei County (TW)

(73) Assignee: **Nexgen Mediatech Inc.**, Tainan (TW)

(**) Term: **14 Years**

(21) Appl. No.: **29/369,543**

(22) Filed: **Sep. 9, 2010**

(51) **LOC (9) Cl.** **26-03**

(52) **U.S. Cl.** **D26/93**

(58) **Field of Classification Search** D26/24,
D26/61-67, 93, 102, 104-105, 108-109;
362/509, 516, 523, 186, 217, 255, 257, 277,
362/317, 319, 351, 354, 355, 357, 358, 362,
362/382, 410, 413, 417, 806
See application file for complete search history.

(56) **References Cited**

U.S. PATENT DOCUMENTS

D301,632 S * 6/1989 Lohrentz D26/61
D473,676 S * 4/2003 Barber D26/93

D589,641 S * 3/2009 Sabernig D26/93
D590,091 S * 4/2009 Starck D26/93
D609,391 S * 2/2010 Schieffelin et al. D26/93
D618,378 S * 6/2010 Huang D26/93
D618,844 S * 6/2010 Huang D26/93
D624,231 S * 9/2010 Karim D26/93

* cited by examiner

Primary Examiner — Brian N Vinson

(74) *Attorney, Agent, or Firm* — Marger Johnson & McCollom PC

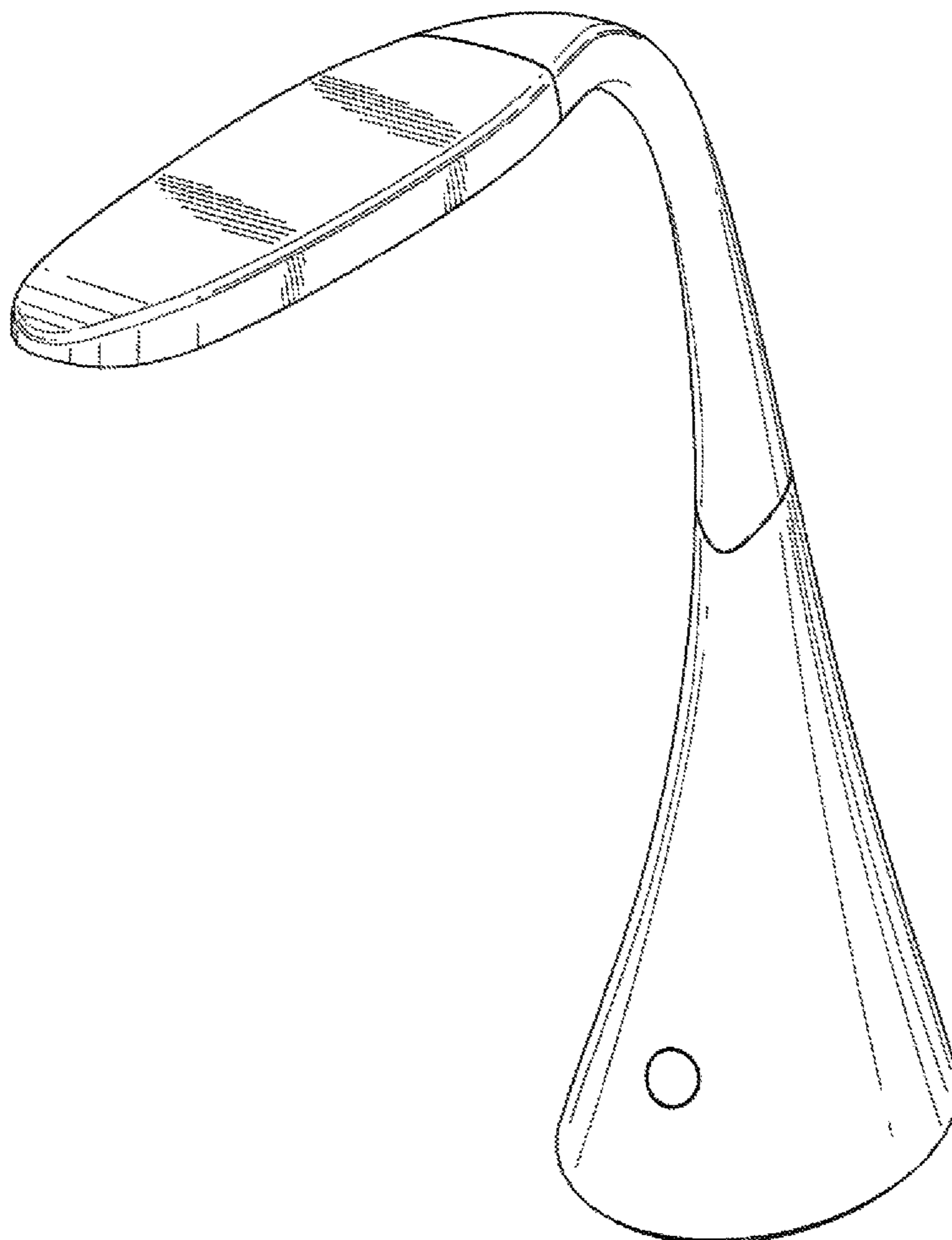
(57) **CLAIM**

The ornamental design for a lamp, as shown and described.

DESCRIPTION

FIG. 1 is a perspective view of a lamp showing our new design;
FIG. 2 is a front elevational view thereof;
FIG. 3 is a rear elevational view thereof;
FIG. 4 is a left side elevational view thereof;
FIG. 5 is a right side elevational view thereof;
FIG. 6 is a top plan view thereof; and,
FIG. 7 is a bottom plan view thereof.

1 Claim, 5 Drawing Sheets



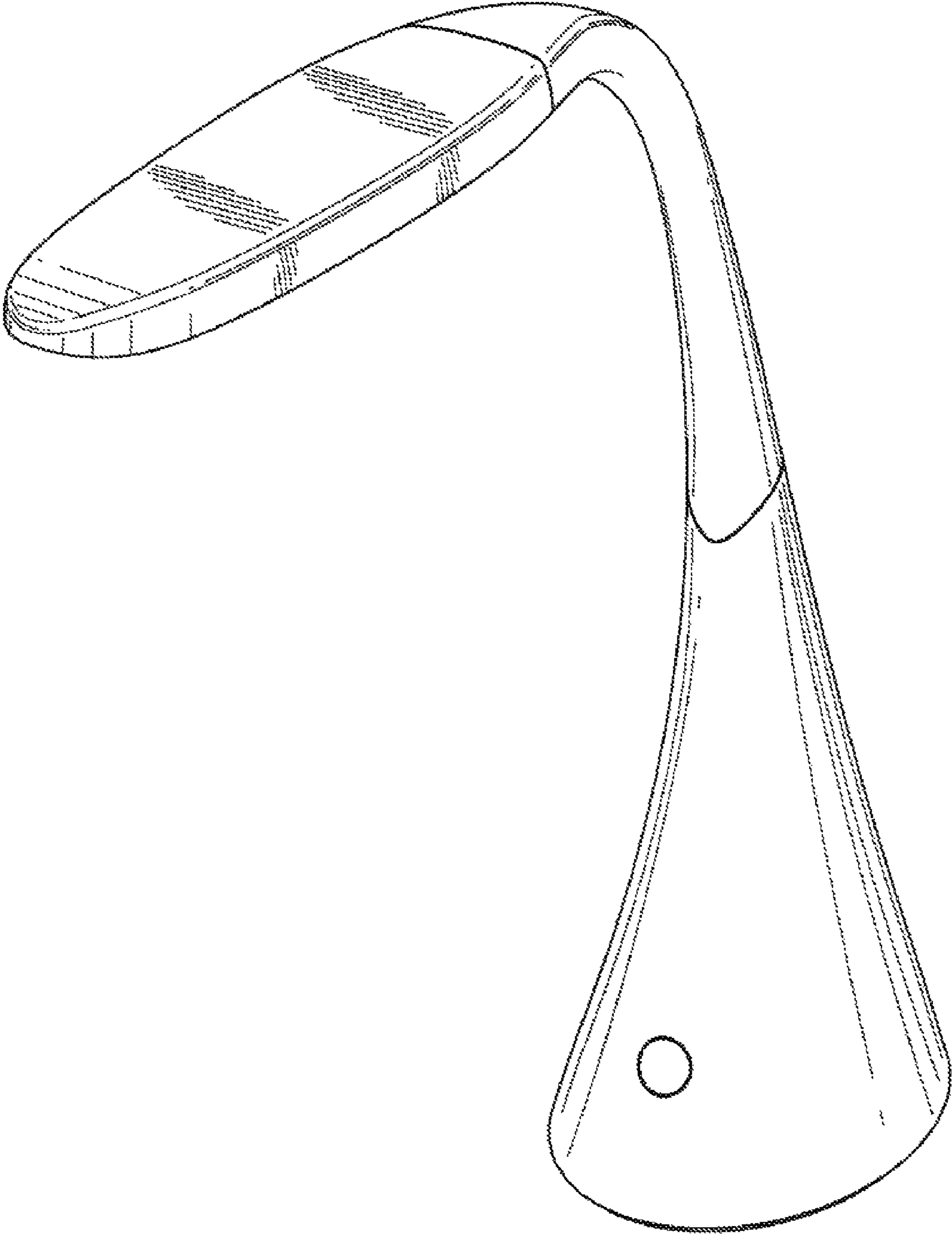


FIG. 1

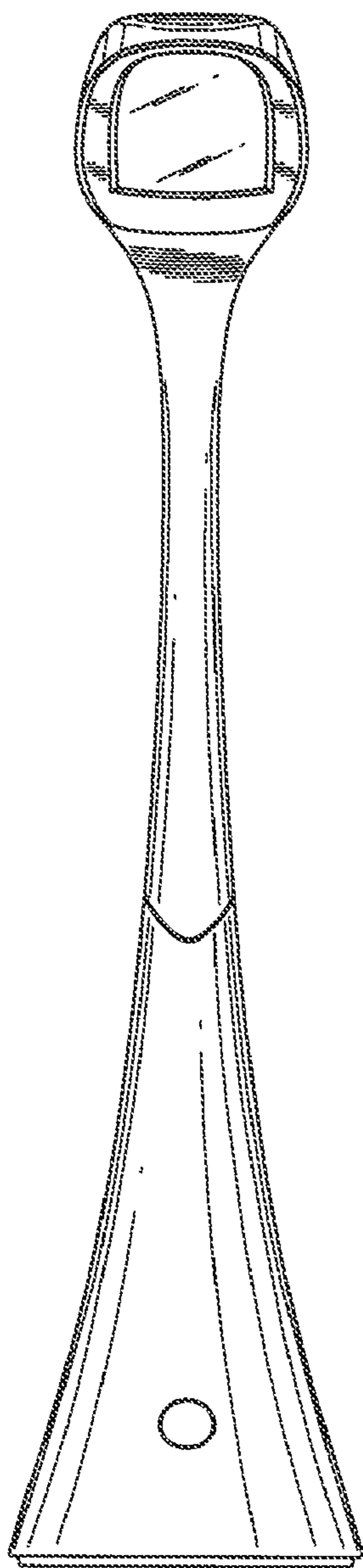


FIG. 2

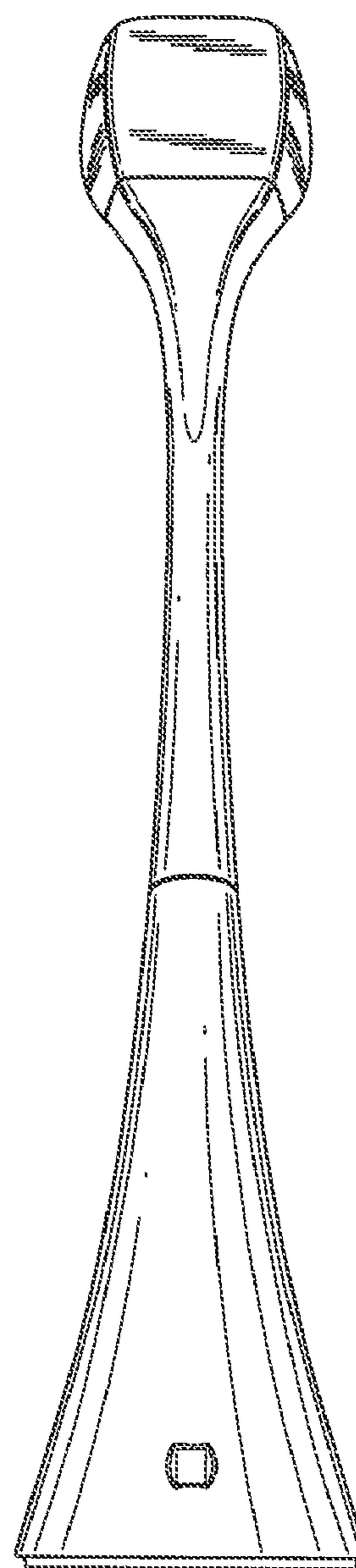


FIG. 3

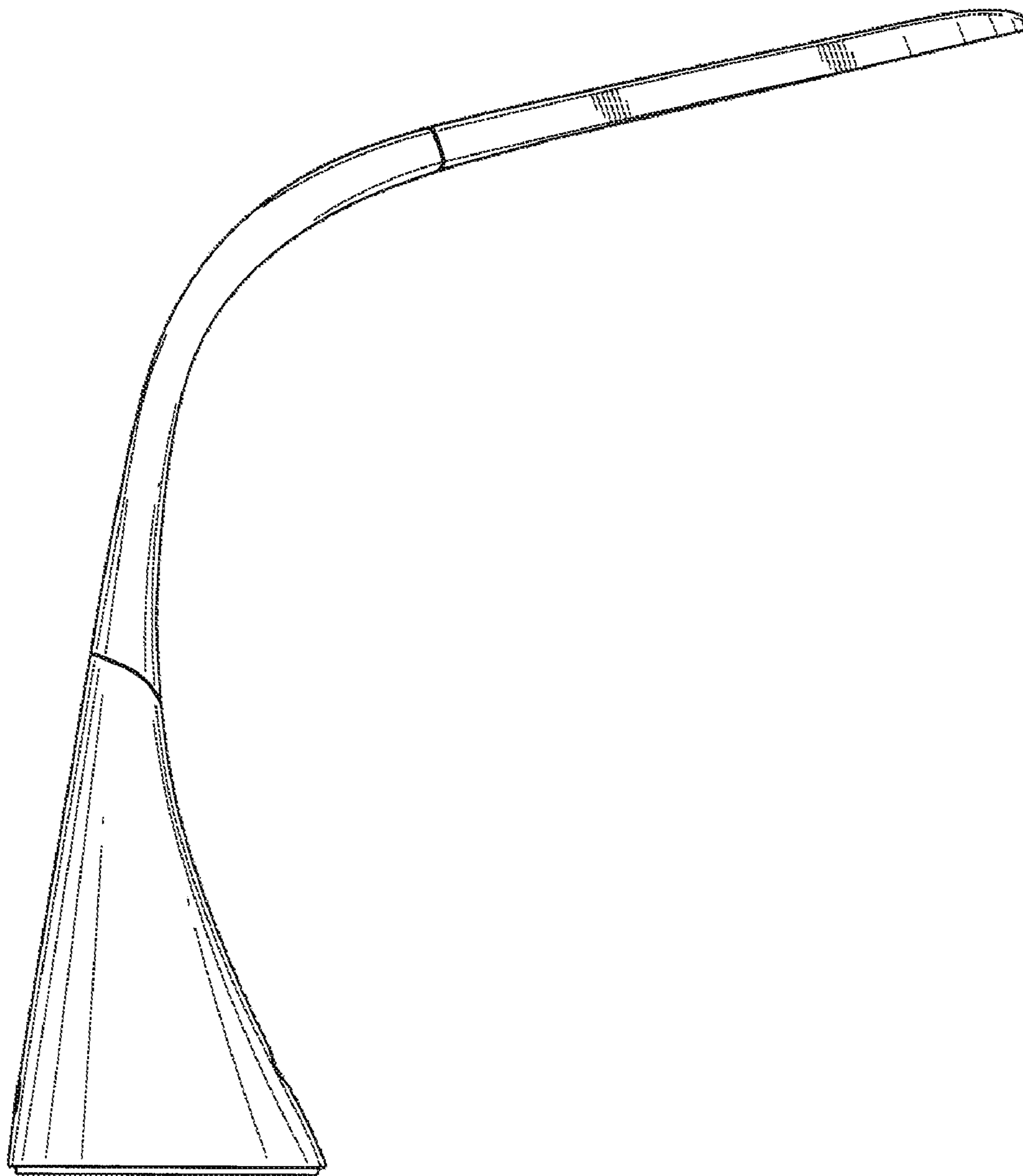


FIG. 4

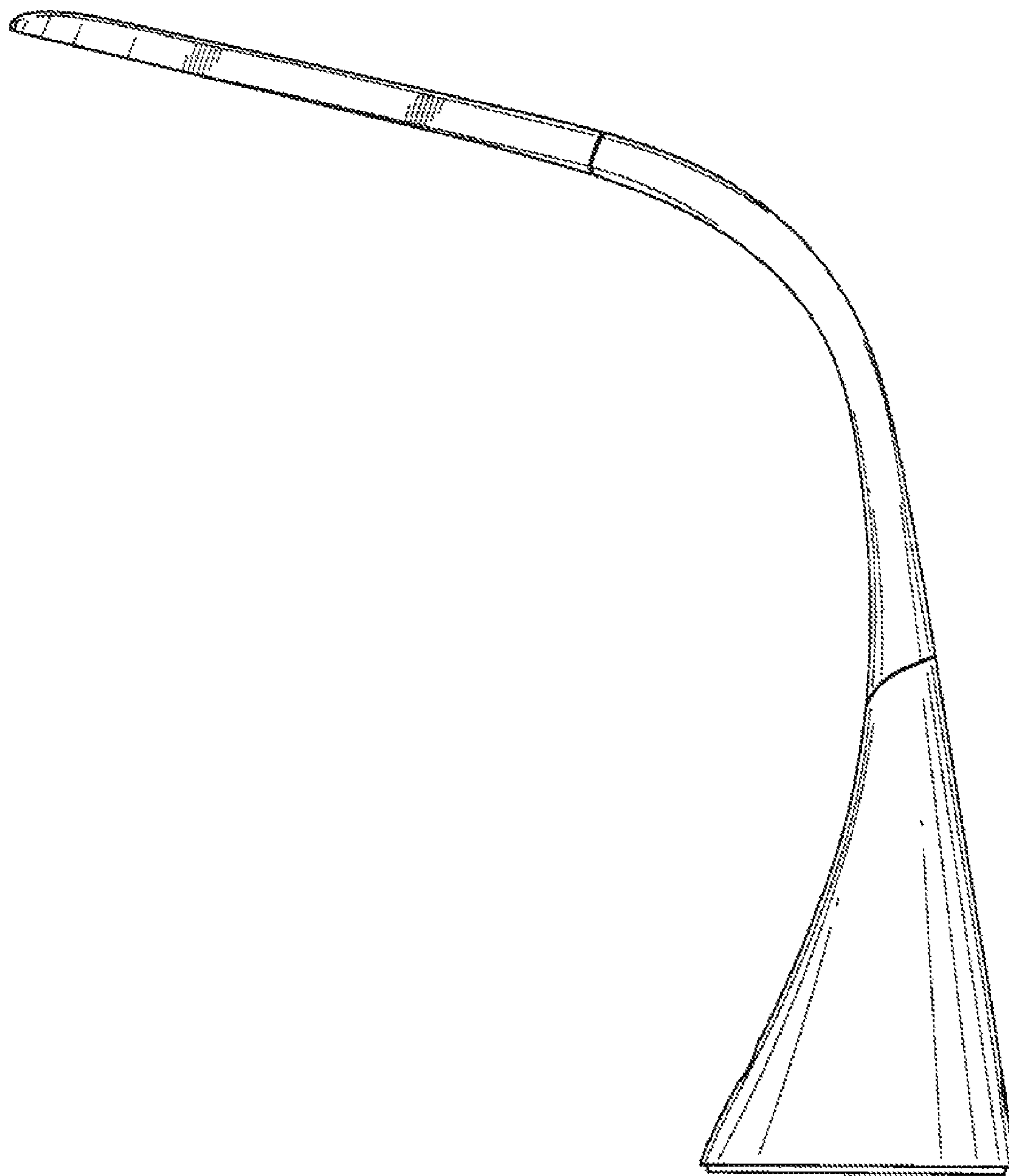


FIG. 5

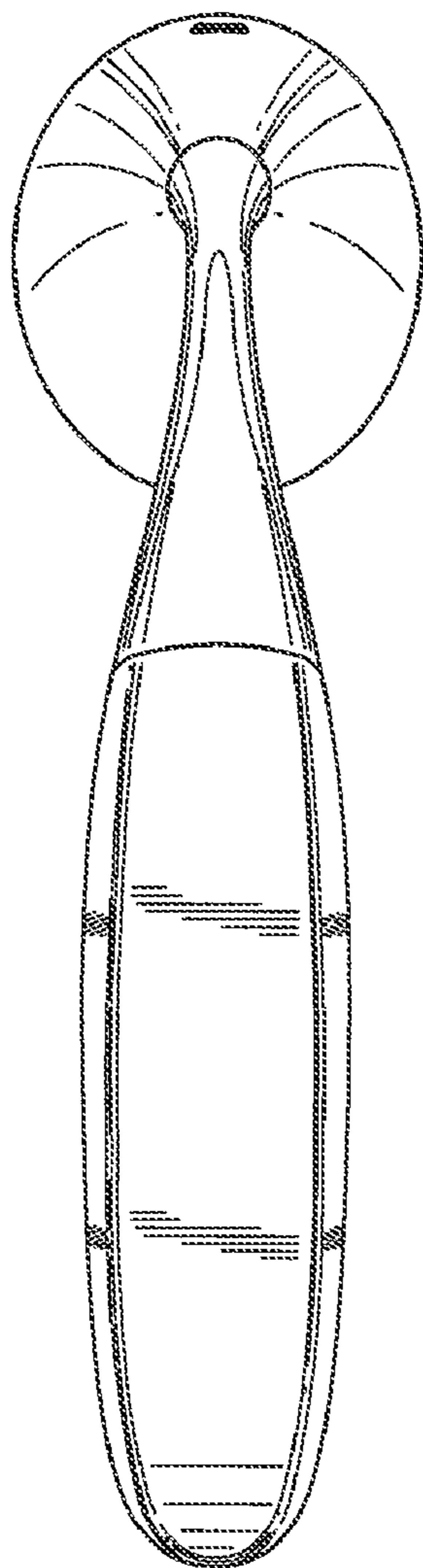


FIG. 6

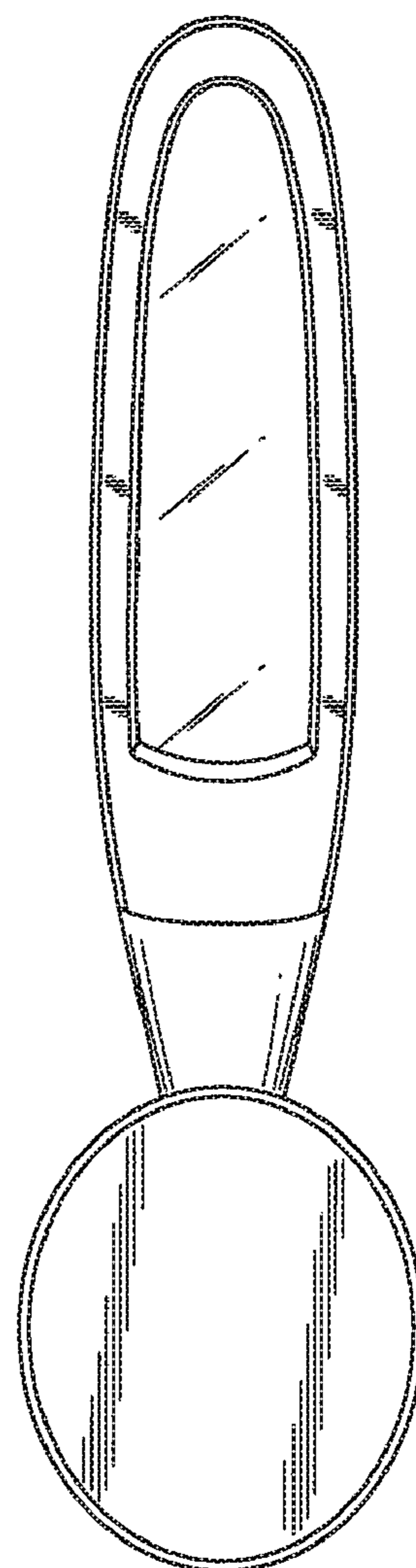


FIG. 7