



US00D638978S

(12) **United States Design Patent**
Schmitt et al.

(10) **Patent No.:** **US D638,978 S**
(45) **Date of Patent:** **** May 31, 2011**

- (54) **SCONCE**
- (75) Inventors: **Robert J. Schmitt**, Nottingham, NH (US); **Constance Pineault**, Ipswich, MA (US); **Jiaolong Chen**, Cixi (CN)
- (73) Assignee: **OSRAM SYLVANIA Inc.**, Danvers, MA (US)
- (**) Term: **14 Years**
- (21) Appl. No.: **29/370,859**
- (22) Filed: **Sep. 14, 2010**
- (51) **LOC (9) Cl.** **26-03**
- (52) **U.S. Cl.** **D26/85**
- (58) **Field of Classification Search** D26/63, D26/68, 79, 85, 87, 92; 362/147, 404-408, 362/431, 432

See application file for complete search history.

(56) **References Cited**

U.S. PATENT DOCUMENTS

1,225,032	A	5/1917	Hotchkin	
1,607,413	A *	11/1926	Tillson	362/347
5,278,738	A *	1/1994	Illes	362/147
D368,973	S *	4/1996	Dolan	D26/85
D394,298	S *	5/1998	Mackert et al.	D22/122
D395,728	S *	6/1998	Dolan	D26/85
D403,098	S *	12/1998	Littman et al.	D26/87
D404,166	S *	1/1999	Littman et al.	D26/87
D417,743	S *	12/1999	Littman et al.	D26/87
D426,016	S *	5/2000	Von Kluck	D26/87
D442,726	S *	5/2001	Hsu	D26/87
D443,380	S *	6/2001	Williams	D26/87
D443,381	S *	6/2001	Williams	D26/87
D563,030	S	2/2008	Hsu	
D604,005	S *	11/2009	Chan	D26/87

OTHER PUBLICATIONS

LampsPlus company "Frosted 13¼" high Art Glass Pocket Wall Sconce", Model 16980, on sale in U.S. prior to Application filing date (Sep. 14, 2010), displayed on lampsplus.com website visited Mar. 9, 2010, 1 color view (1 pg.).

Lowe's Portfolio series "White Contemporary Pocket Wall Sconce", Item No. 238961, on sale in U.S. Prior Application filing date (Sep. 14, 2010), displayed on lowes.com website visited Jun. 1, 2010, 1 color view (1 pg.).

Lowe's Portfolio series "1-Light Traditional Wall Sconce" Item No. 197827, on sale in U.S. prior to Application filing date (Sep. 14, 2010), displayed on lowes.com website visited May 20, 2010, 2 color views (2 pgs.).

Box panels of Portfolio series "1-Light Wall Sconce" Item No. 197827, copies of four box panels including 3 views and bottom "L.G. Sourcing, Inc., made in China", on sale at Lowe's in U.S. prior to Application filing date (Sep. 14, 2010) (4 black & white sheets).

Lowe's Portfolio series "1-Light Brushed Nickel Traditional Wall Sconce" Item No. 197767, on sale in U.S. prior to Application filing date (Sep. 14, 2010), displayed on lowes.com website visited May 20, 2010, 2 color views (2 pgs.).

(Continued)

Primary Examiner — Clare E Heflin

(74) *Attorney, Agent, or Firm* — Edward S. Podszus

(57) **CLAIM**

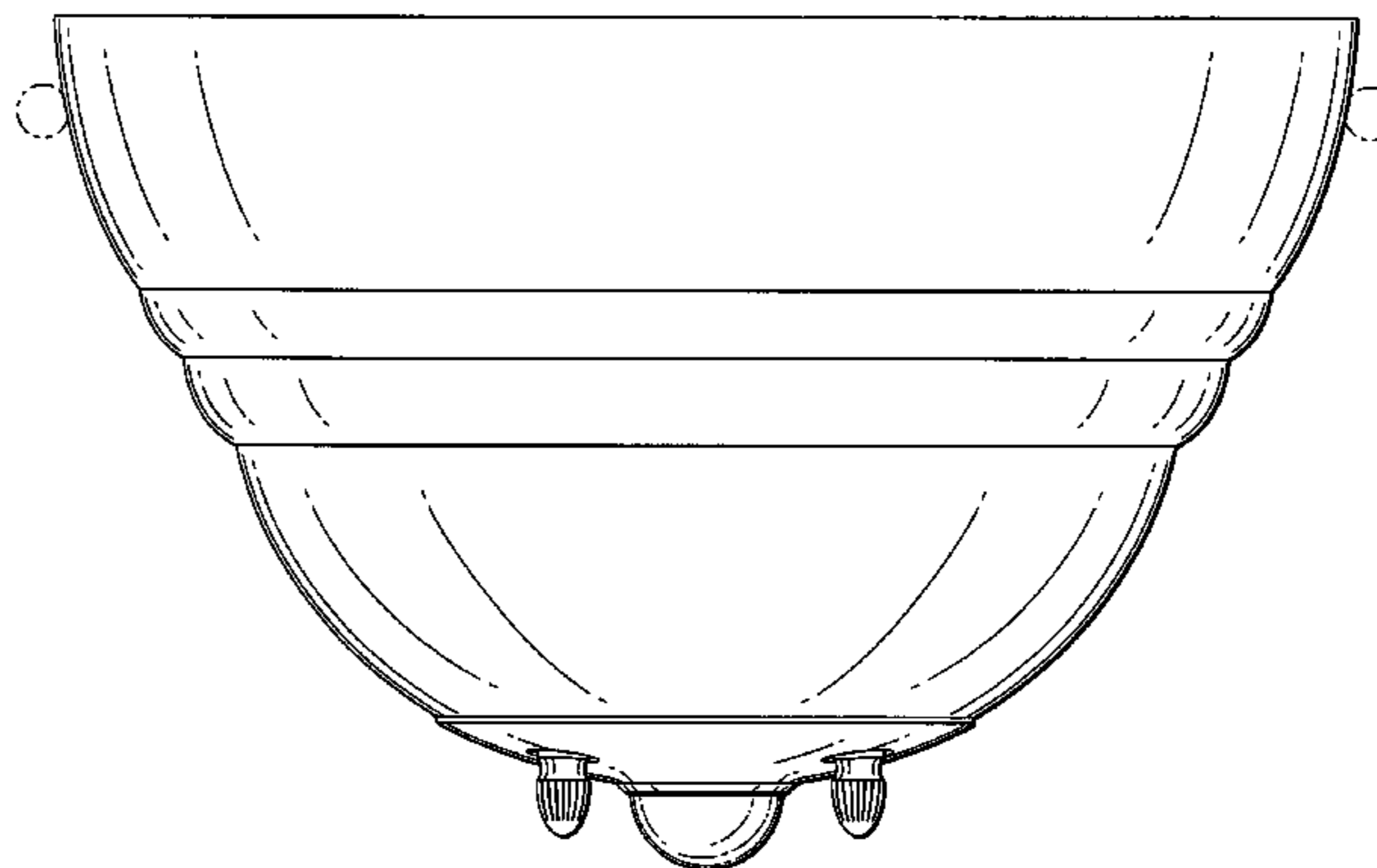
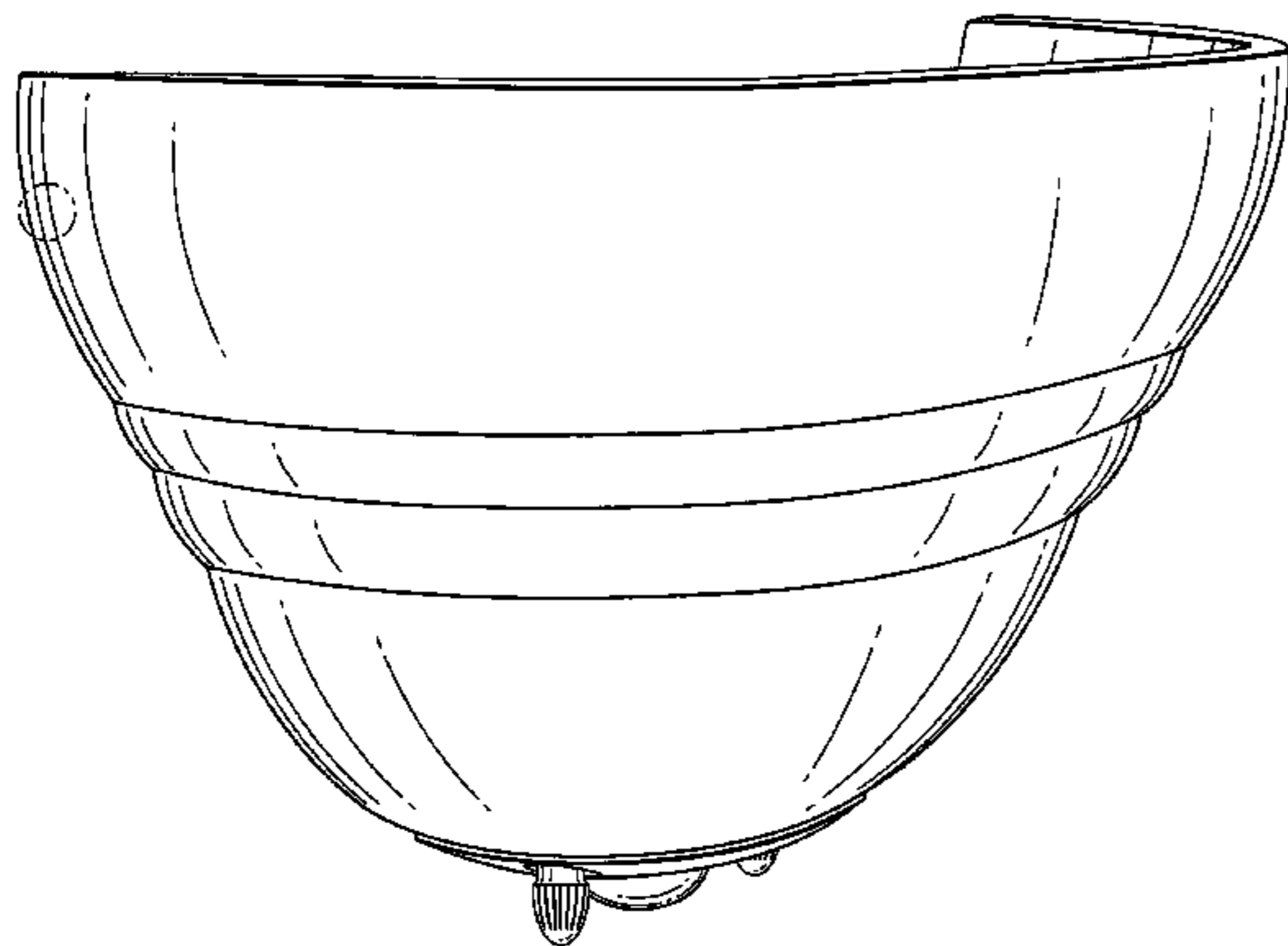
The ornamental design for a sconce, as shown and described.

DESCRIPTION

FIG. 1 is a perspective view of the new design for a sconce; FIG. 2 is a front elevational view thereof; FIG. 3 is a top plan view thereof; FIG. 4 is a bottom plan view thereof; FIG. 5 is a right side view thereof, the left side view being rotationally symmetric; and, FIG. 6 is a rear view thereof.

The broken line disclosure is for environmental purposes only and does not form a part of the claimed design.

1 Claim, 6 Drawing Sheets



OTHER PUBLICATIONS

Box panels of Portfolio series "1-Light Wall Sconce" w/ brushed nickel finish, Item No. 197767, copies of three box panels including 2 views and bottom "L.G. Sourcing, Inc., made in China", on sale at Lowe's in U.S. prior to Application filing date (Sep. 14, 2010) (4 black & white sheets).

Knurled Knob, from EHC (Electronic Hardware Corp.), Farmingdale, NY, on sale in U.S. prior to Application filing date (Sep.

14, 2010), displayed on EHC website ehcknobs.com, 1 color view (1 pg.).

EHC webpage of 13 various Knurled Knobs, on sale in U.S. prior to Application filing date (Sep. 14, 2010), displayed on EHC website ehcknobs.com, 2 color pages of views and company address in Farmingdale, NY (total 3 pgs.).

Acorn Knob drawer pull, Model No. F-KBPL-AV, from Timber Bronze, Inc. (Joseph, Oregon, USA), 1 color view (1 pg.).

* cited by examiner

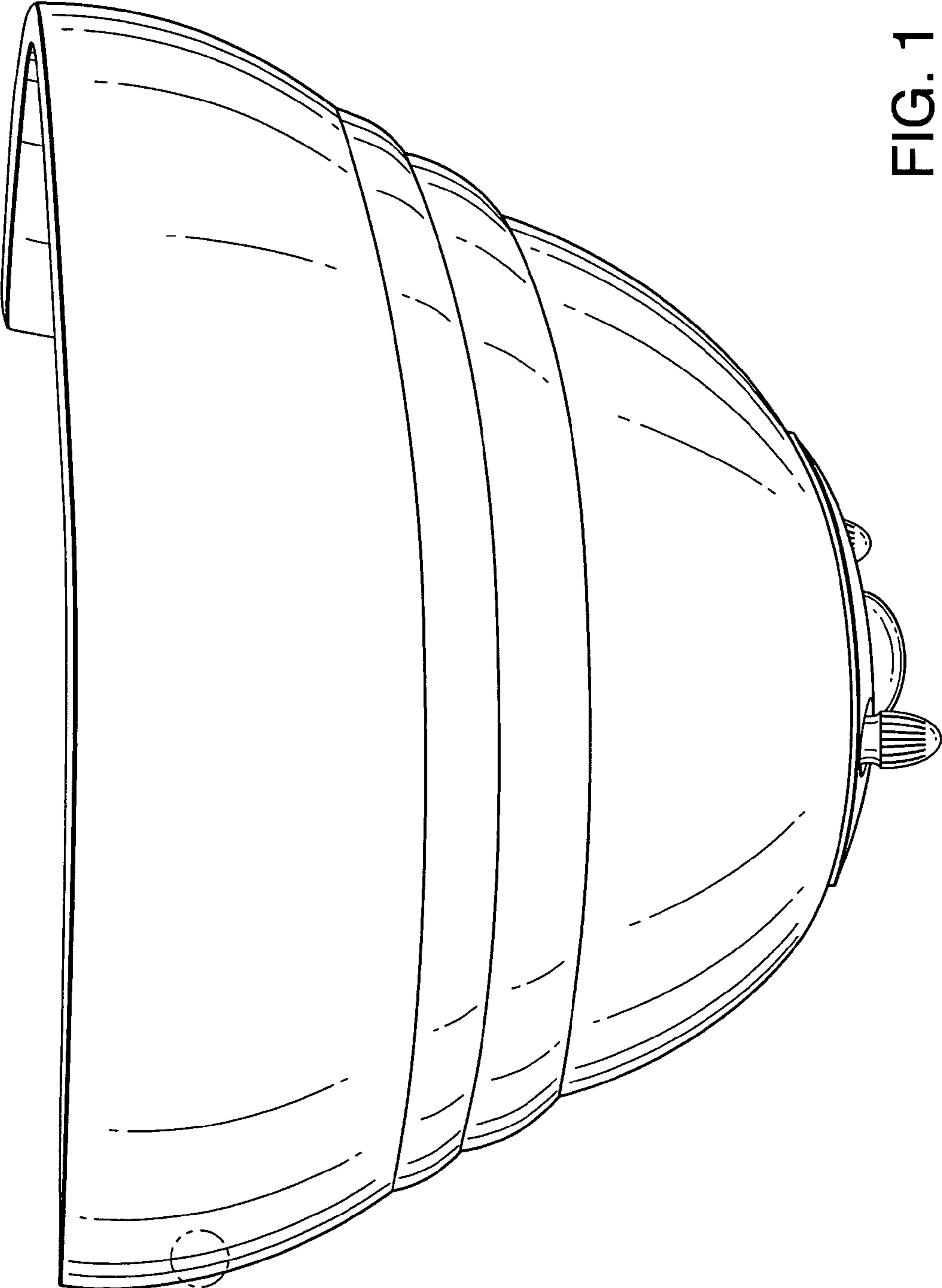


FIG. 1

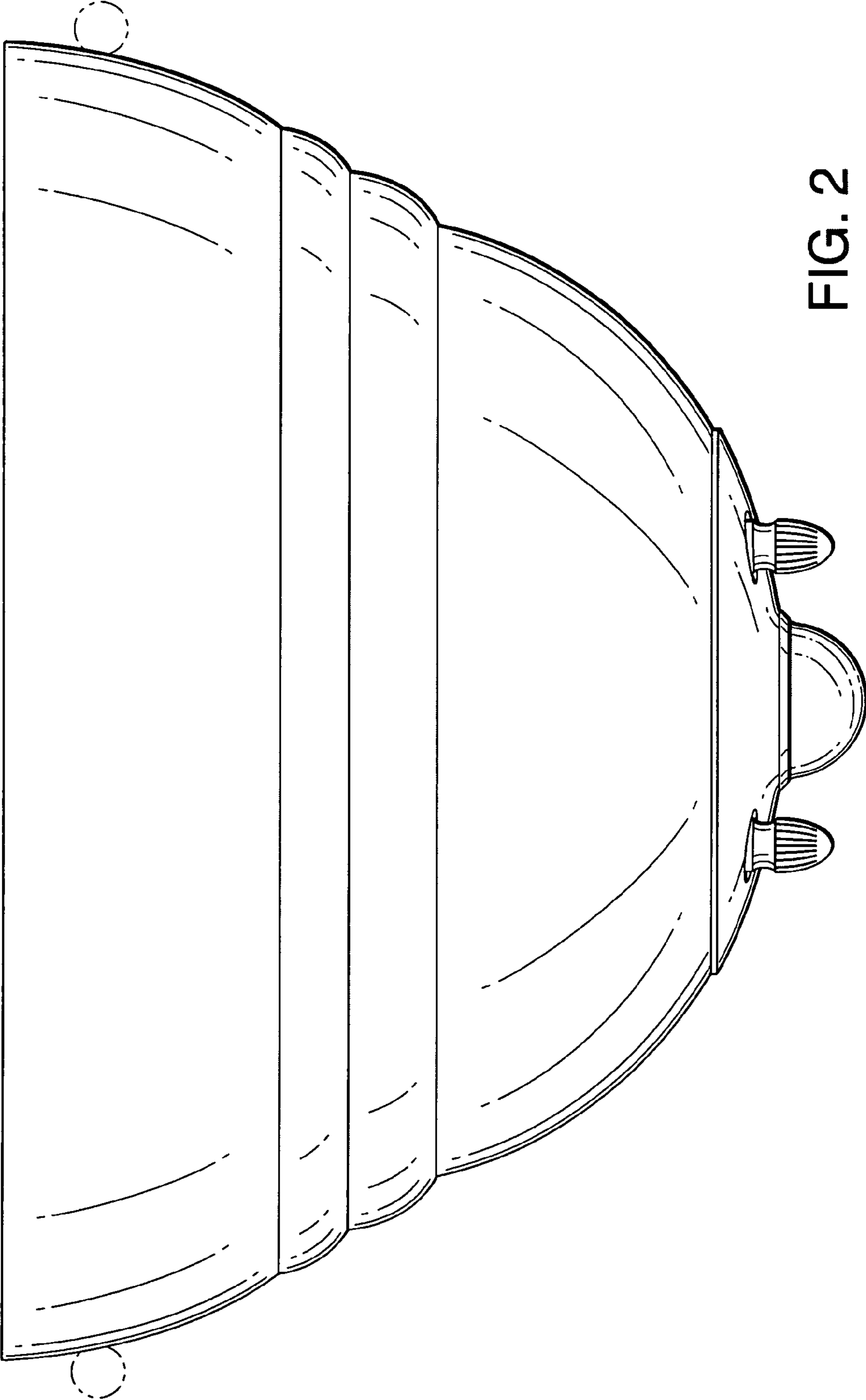


FIG. 2

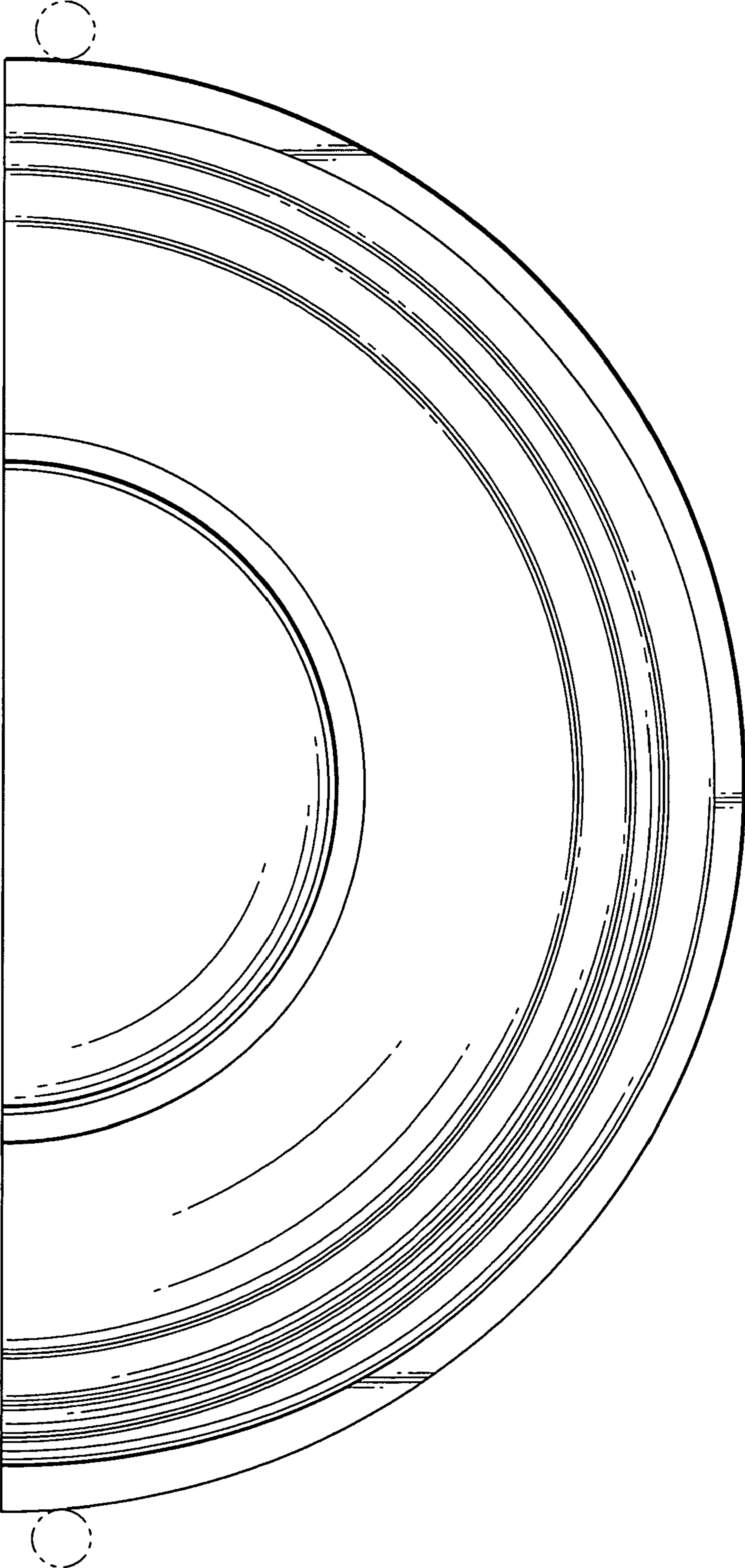


FIG. 3

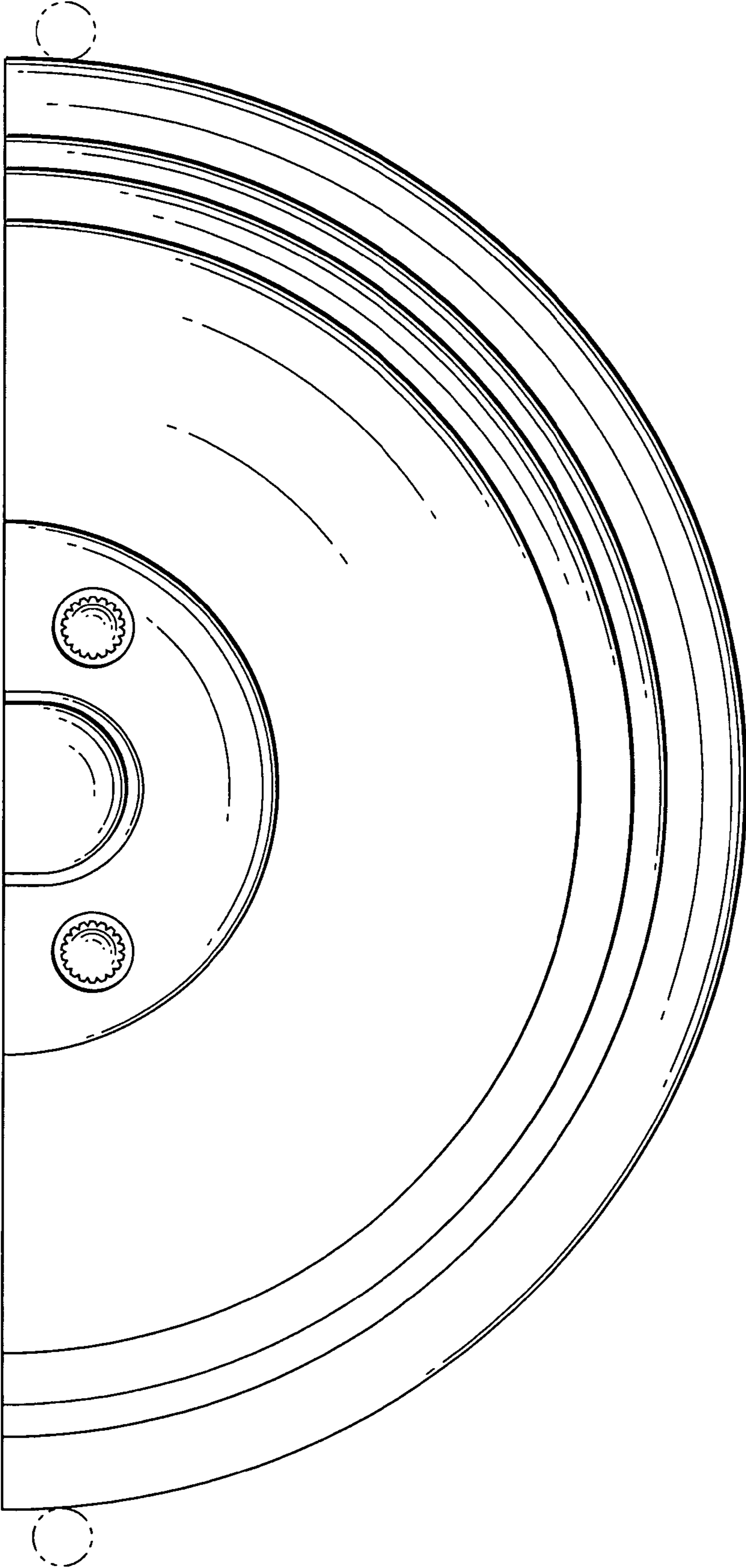


FIG. 4

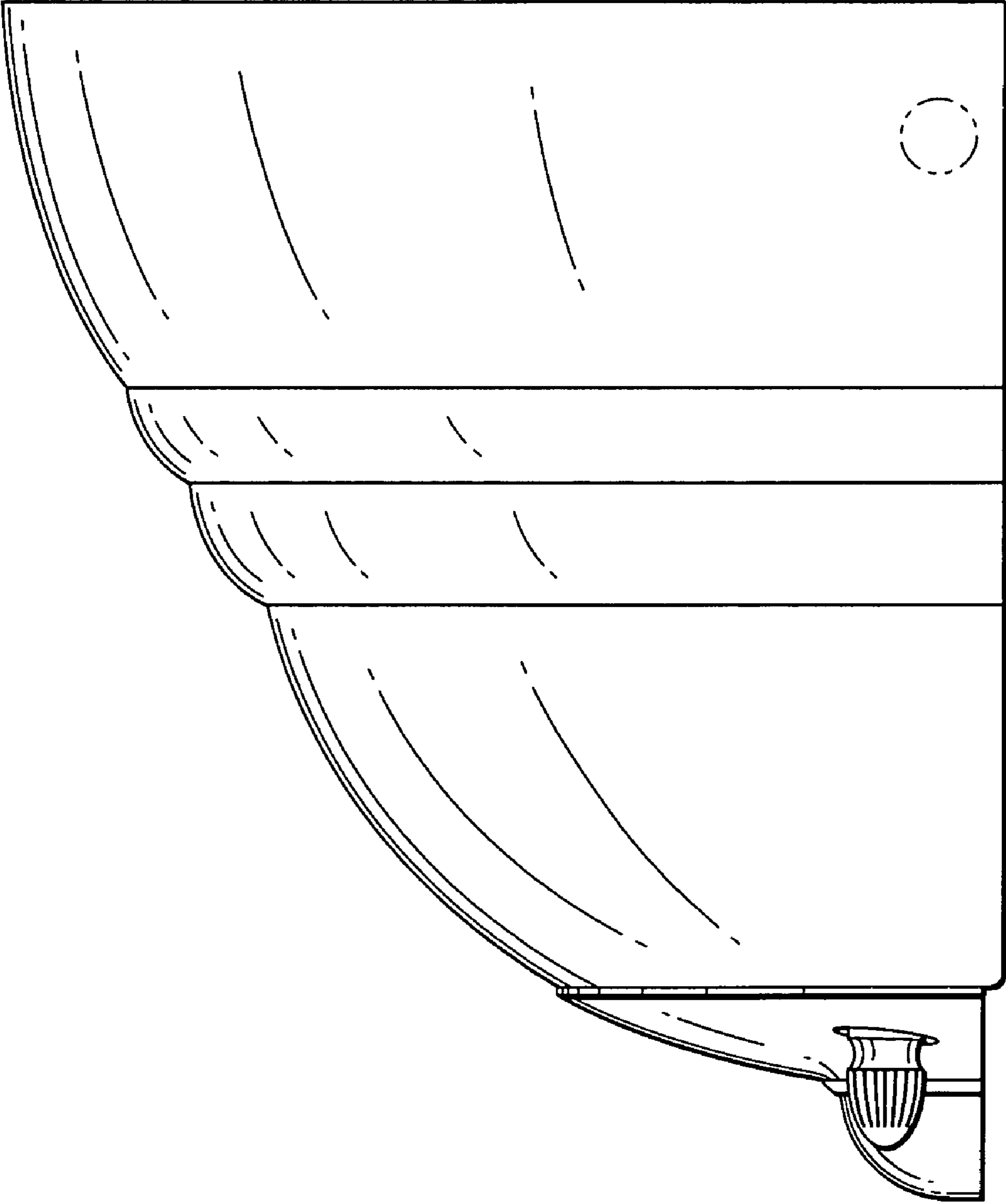


FIG. 5

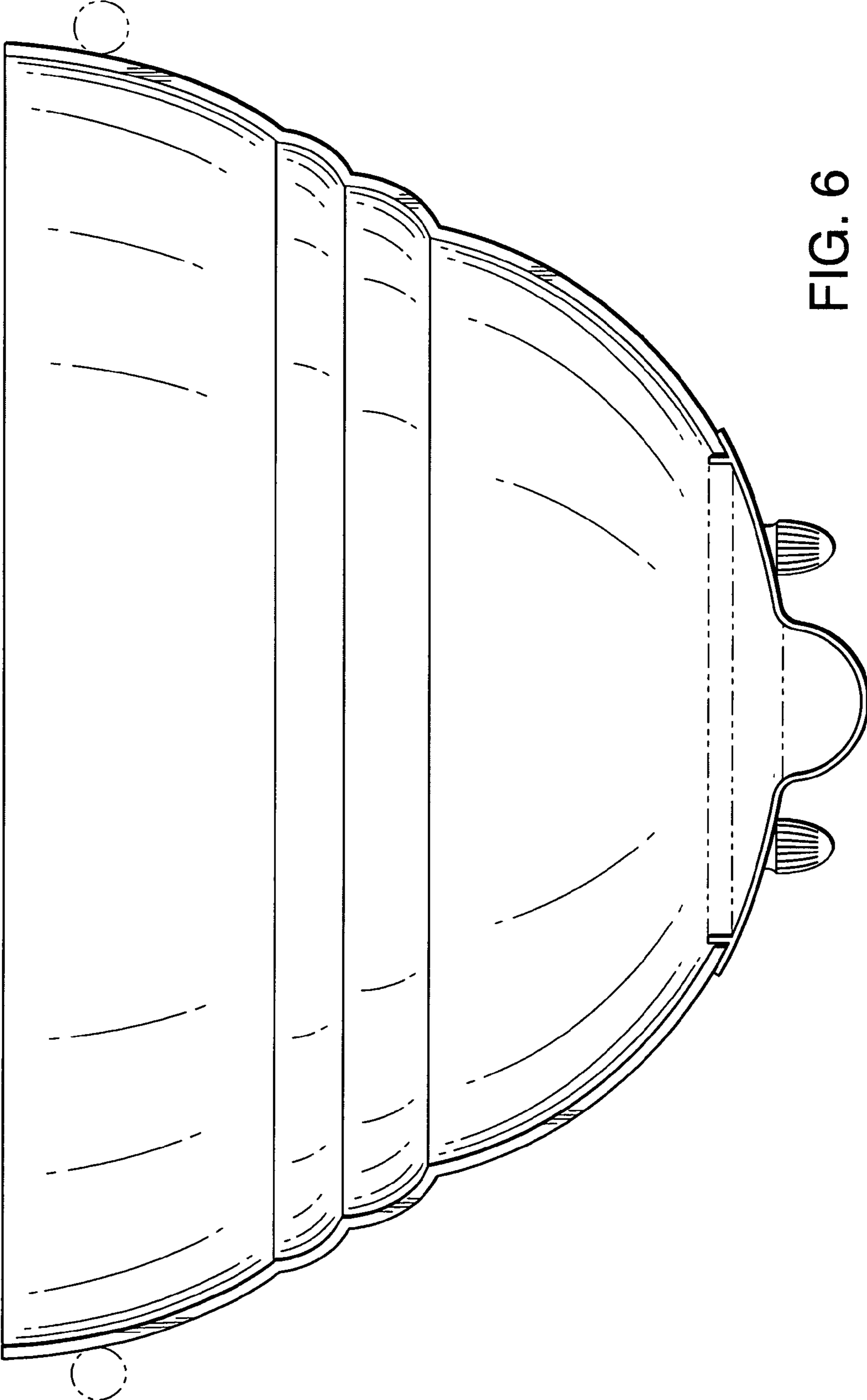


FIG. 6