



US00D638975S

(12) **United States Design Patent**
Hyland

(10) **Patent No.:** **US D638,975 S**

(45) **Date of Patent:** **** May 31, 2011**

(54) **DROP-IN CEILING LIGHT FIXTURE**

(76) Inventor: **Edward B. Hyland**, Huntington, CT
(US)

(**) Term: **14 Years**

(21) Appl. No.: **29/316,210**

(22) Filed: **Sep. 1, 2009**

(51) **LOC (9) Cl.** **26-05**

(52) **U.S. Cl.** **D26/74**

(58) **Field of Classification Search** D26/72,
D26/74, 75, 76, 77, 78, 79, 80, 81, 82, 83,
D26/84, 85, 86, 88, 89, 90, 91, 1, 2, 3, 24,
D26/56; D13/180, 182; 362/555, 576, 147,
362/150, 217.01, 219, 217.02, 217.03, 217.04,
362/217.05, 217.08, 217.09, 260, 364, 365,
362/366, 404, 800

See application file for complete search history.

(56) **References Cited**

U.S. PATENT DOCUMENTS

D348,534 S *	7/1994	Herst et al.	D26/85
D499,505 S *	12/2004	Benensohn	D26/89
D514,732 S *	2/2006	Benensohn	D26/89
D575,887 S *	8/2008	Mukai	D26/24
D576,320 S *	9/2008	Mukai	D26/24

D592,347 S *	5/2009	Trott et al.	D26/74
D592,348 S *	5/2009	Trott et al.	D26/74
D611,182 S *	3/2010	Allen	D26/76
D614,338 S *	4/2010	Sieczkowski et al.	D26/74
D618,637 S *	6/2010	Liu et al.	D13/180
2007/0177389 A1 *	8/2007	Pickard et al.	362/364

* cited by examiner

Primary Examiner — Angela J Lee

(74) *Attorney, Agent, or Firm* — Ware, Fressola, Van Der Sluys & Adolphson, LLP

(57) **CLAIM**

The ornamental design for a drop-in ceiling light fixture, as shown and described.

DESCRIPTION

FIG. 1 is a perspective view of the drop-in ceiling light fixture of the invention;
FIG. 2 is a front elevation view of the drop-in ceiling light fixture of FIG. 1, the right side, left side and back elevation views being the same;
FIG. 3 is a top view of the drop-in ceiling light fixture of FIG. 1; and,
FIG. 4 is a bottom view of the drop-in ceiling light fixture of FIG. 1.

1 Claim, 3 Drawing Sheets

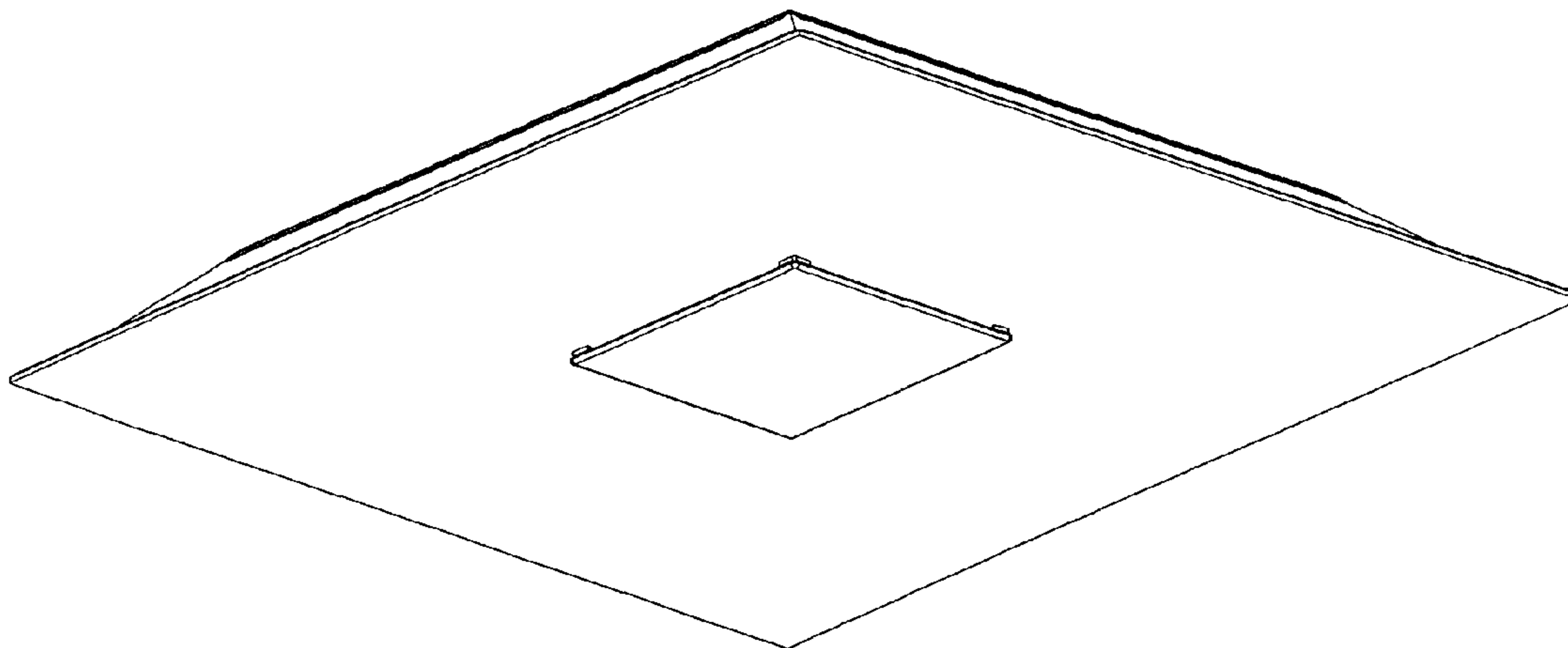


FIG. 1

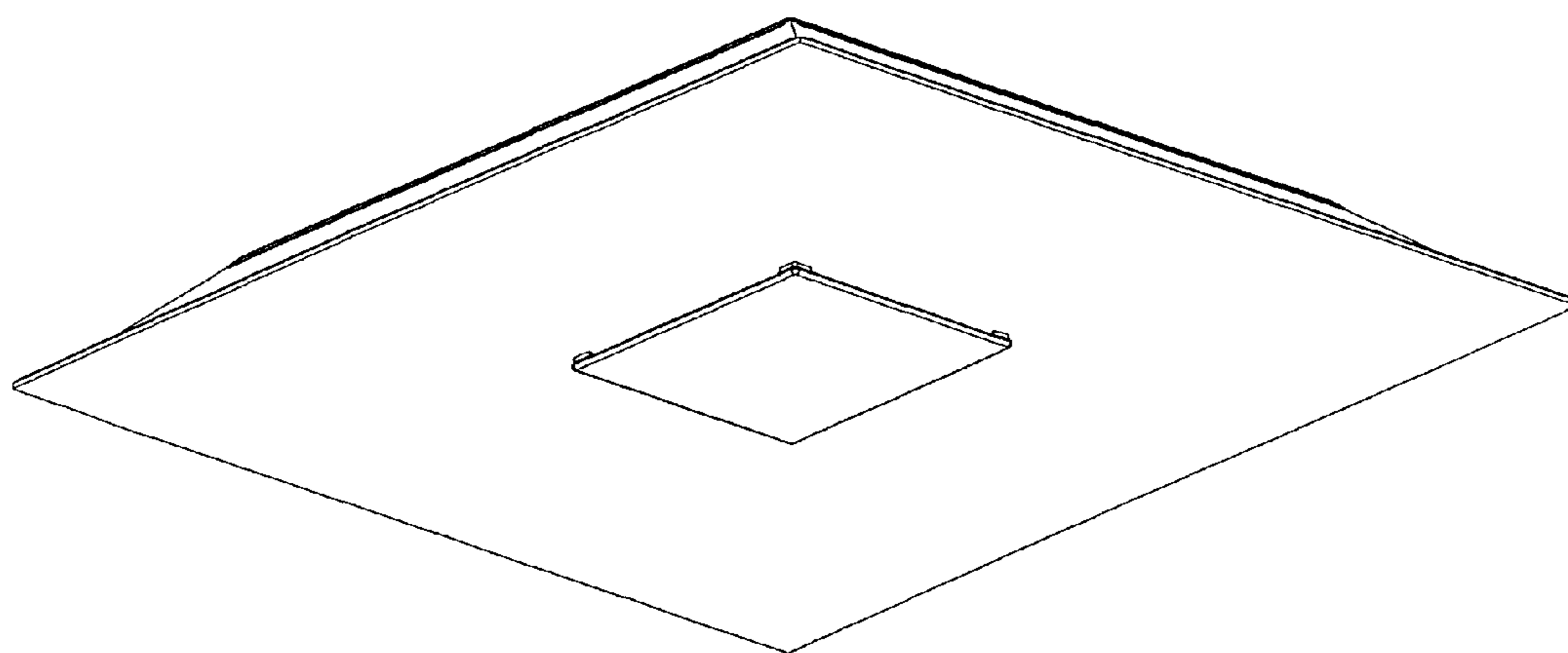


FIG. 2

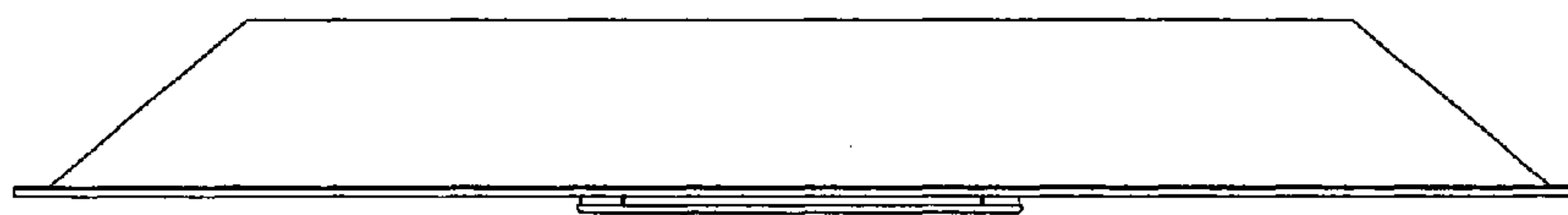


FIG. 3

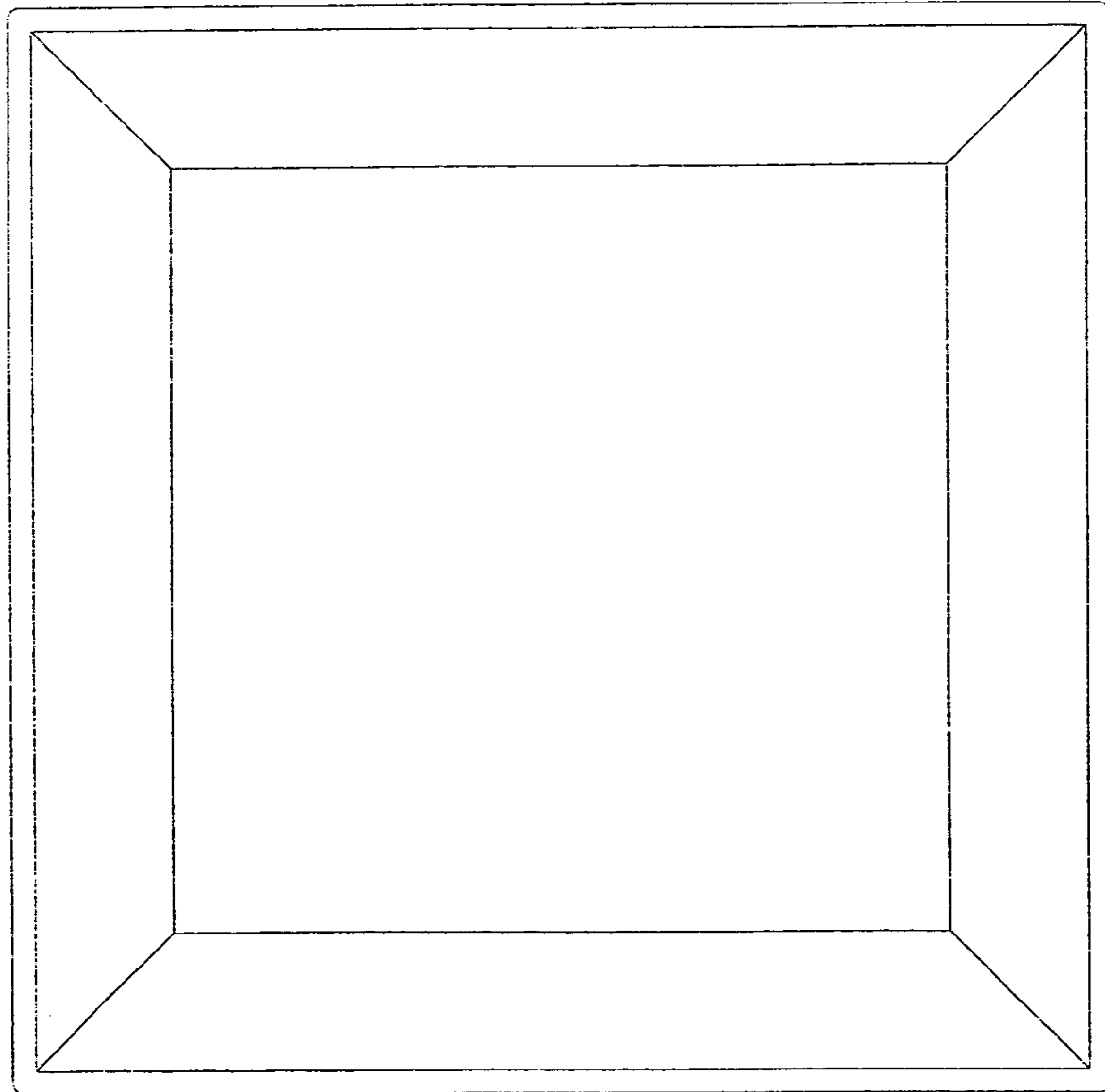


FIG. 4

