



US00D638968S

(12) **United States Design Patent**
Chen

(10) **Patent No.:** **US D638,968 S**

(45) **Date of Patent:** **** May 31, 2011**

(54) **SOLAR LAMP HAVING MOSAIC LENS**

(75) Inventor: **Chi Gon Chen**, Guang Zhou (CN)

(73) Assignee: **International Development LLC**,
Roanoke, TX (US)

(**) Term: **14 Years**

(21) Appl. No.: **29/377,026**

(22) Filed: **Oct. 15, 2010**

(51) **LOC (9) Cl.** **26-05**

(52) **U.S. Cl.** **D26/67; D26/68**

(58) **Field of Classification Search** D26/67-71,
D26/85, 128-135; 362/152, 153, 153.1,
362/180, 183, 431, 653

See application file for complete search history.

(56) **References Cited**

U.S. PATENT DOCUMENTS

D38,056 S *	6/1906	Hogan	D26/134
D56,715 S *	11/1920	Thompson	D10/121
D73,631 S *	10/1927	Wolter	D26/24
D92,538 S *	6/1934	Johnson et al.	D26/135
2,659,809 A *	11/1953	Melia	362/356
D171,164 S *	12/1953	Morgan	D26/134
D343,021 S *	1/1994	Compton et al.	D26/74

D431,669 S *	10/2000	Milicia	D26/128
D439,693 S *	3/2001	Milicia	D26/68
D563,586 S *	3/2008	Lee et al.	D26/67
D604,439 S *	11/2009	Chen	D26/67
D604,440 S *	11/2009	Chen	D26/67

* cited by examiner

Primary Examiner — Clare E Heflin

(74) *Attorney, Agent, or Firm* — David W. Carstens;
Carstens & Cahoon, LLP

(57) **CLAIM**

The ornamental design for a solar lamp having mosaic lens, as shown and described.

DESCRIPTION

FIG. 1 is a perspective view of the solar lamp having mosaic lens of the present invention;

FIG. 2 is a front elevation view thereof, the rear elevation view being a mirror image thereof;

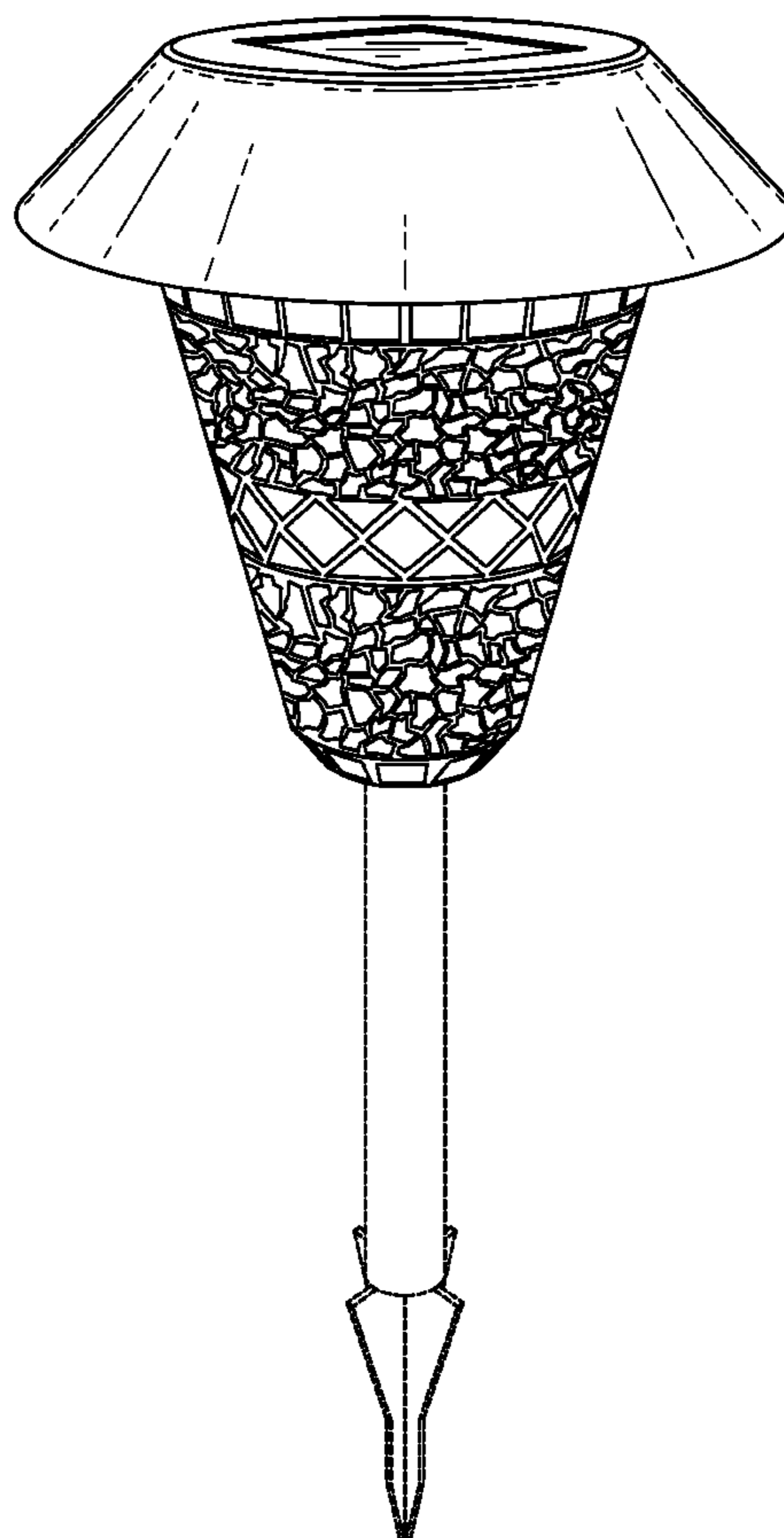
FIG. 3 is a left side elevation view thereof, the right side elevation view being a mirror image thereof;

FIG. 4 is a top plan view thereof; and,

FIG. 5 is a bottom plan view thereof.

The broken lines are shown in the views for illustrative purposes only and form no part of the claimed design.

1 Claim, 4 Drawing Sheets



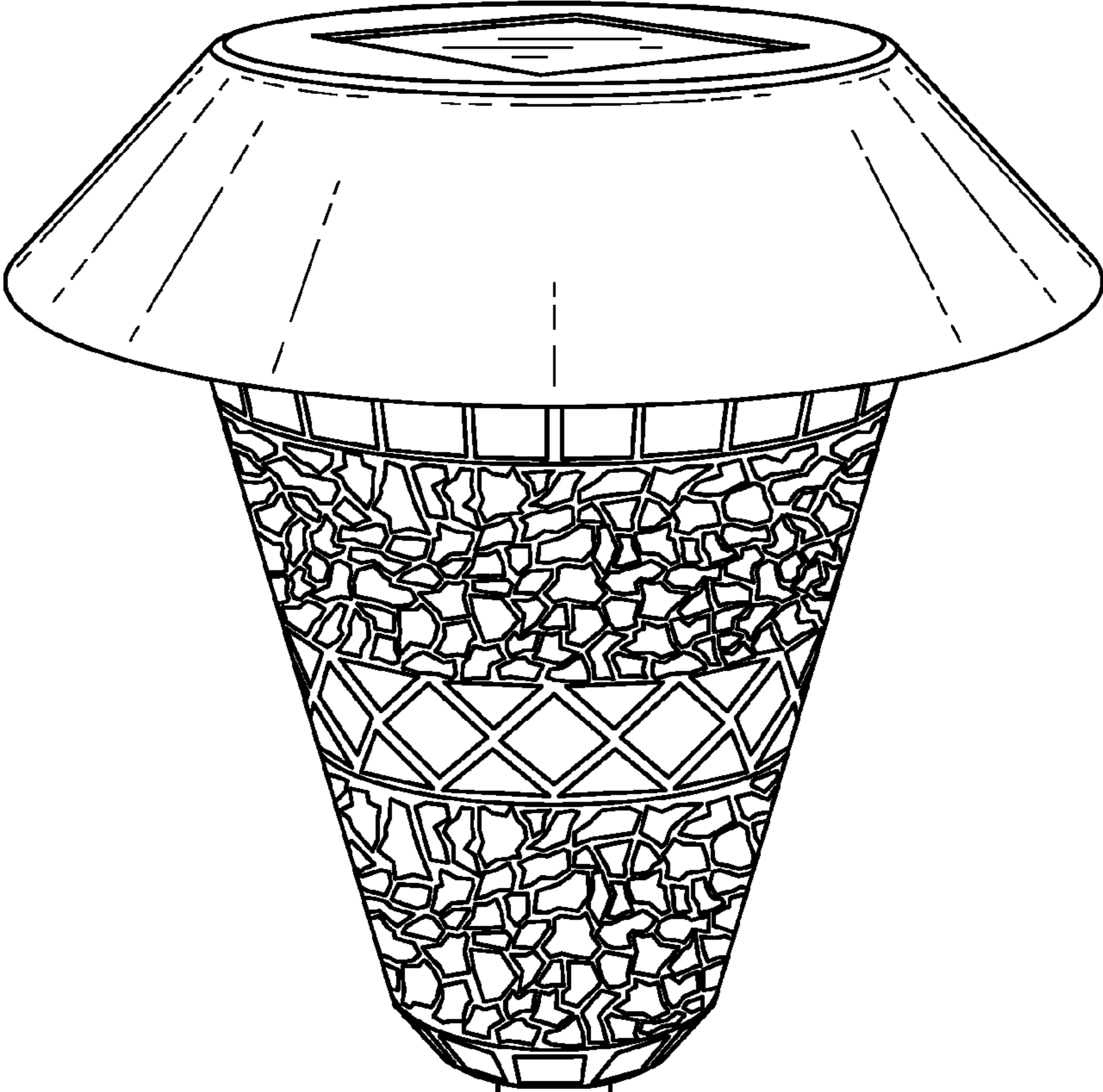
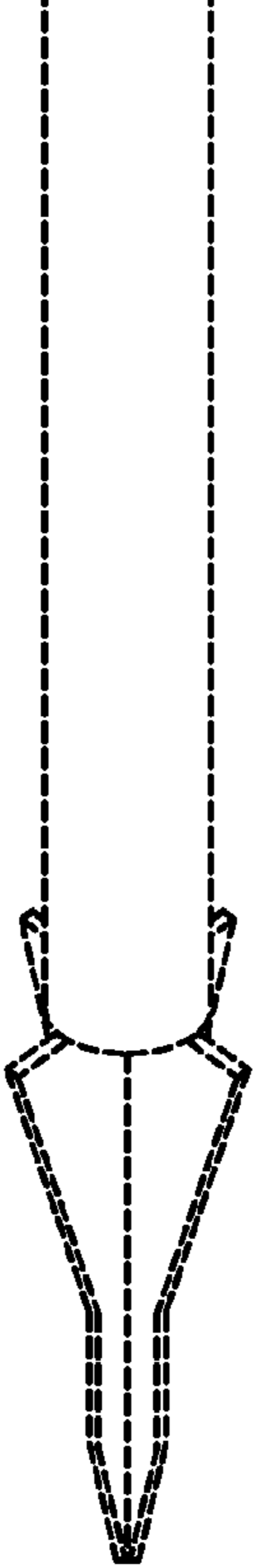


FIG. 1



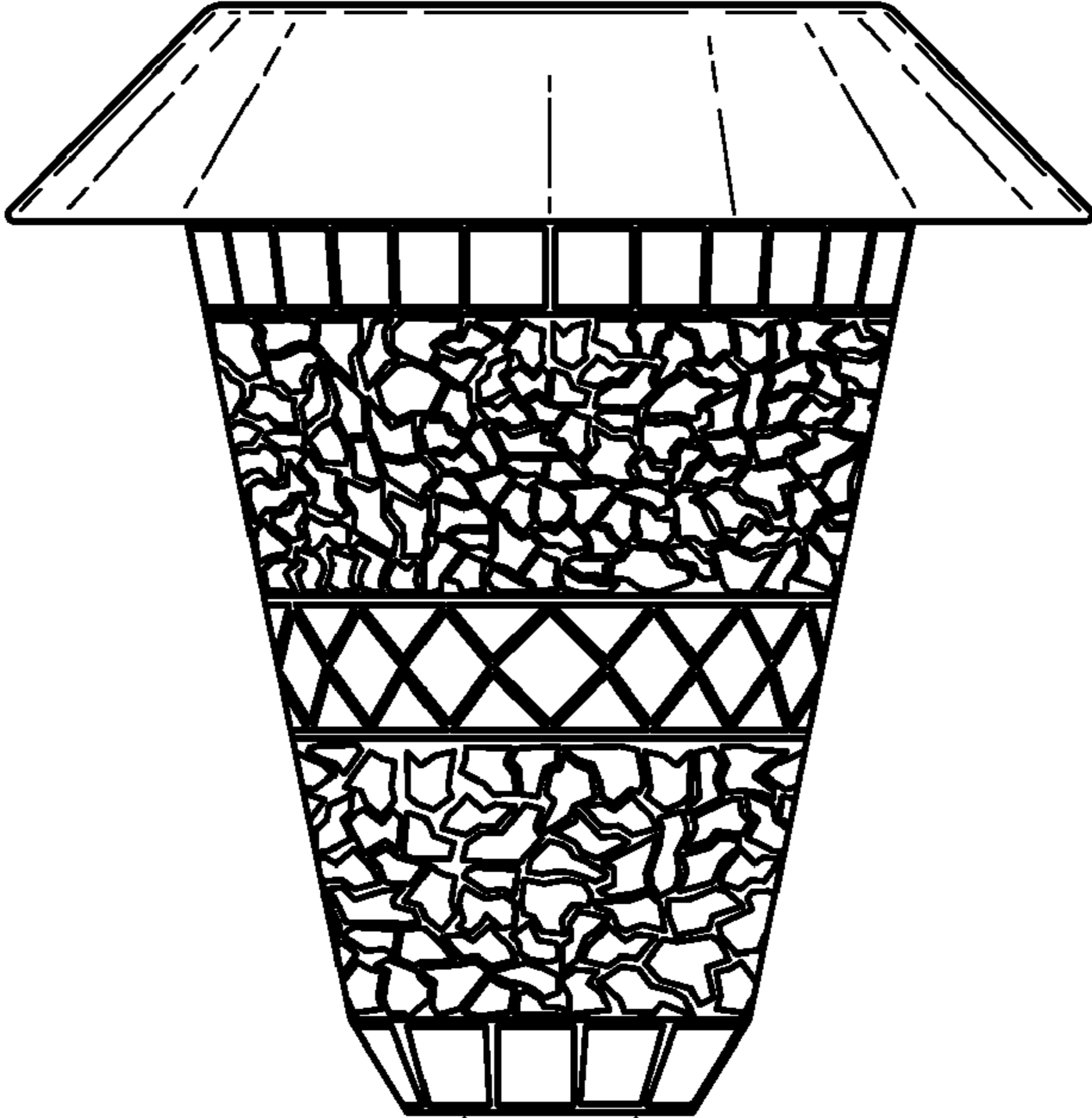
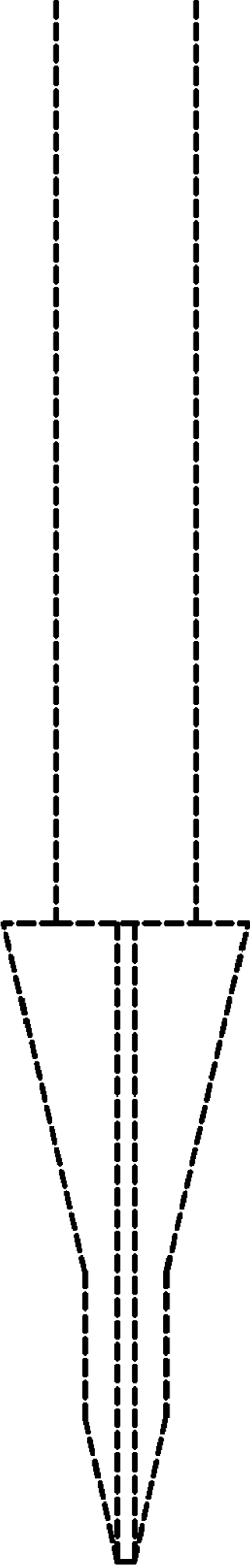


FIG. 2



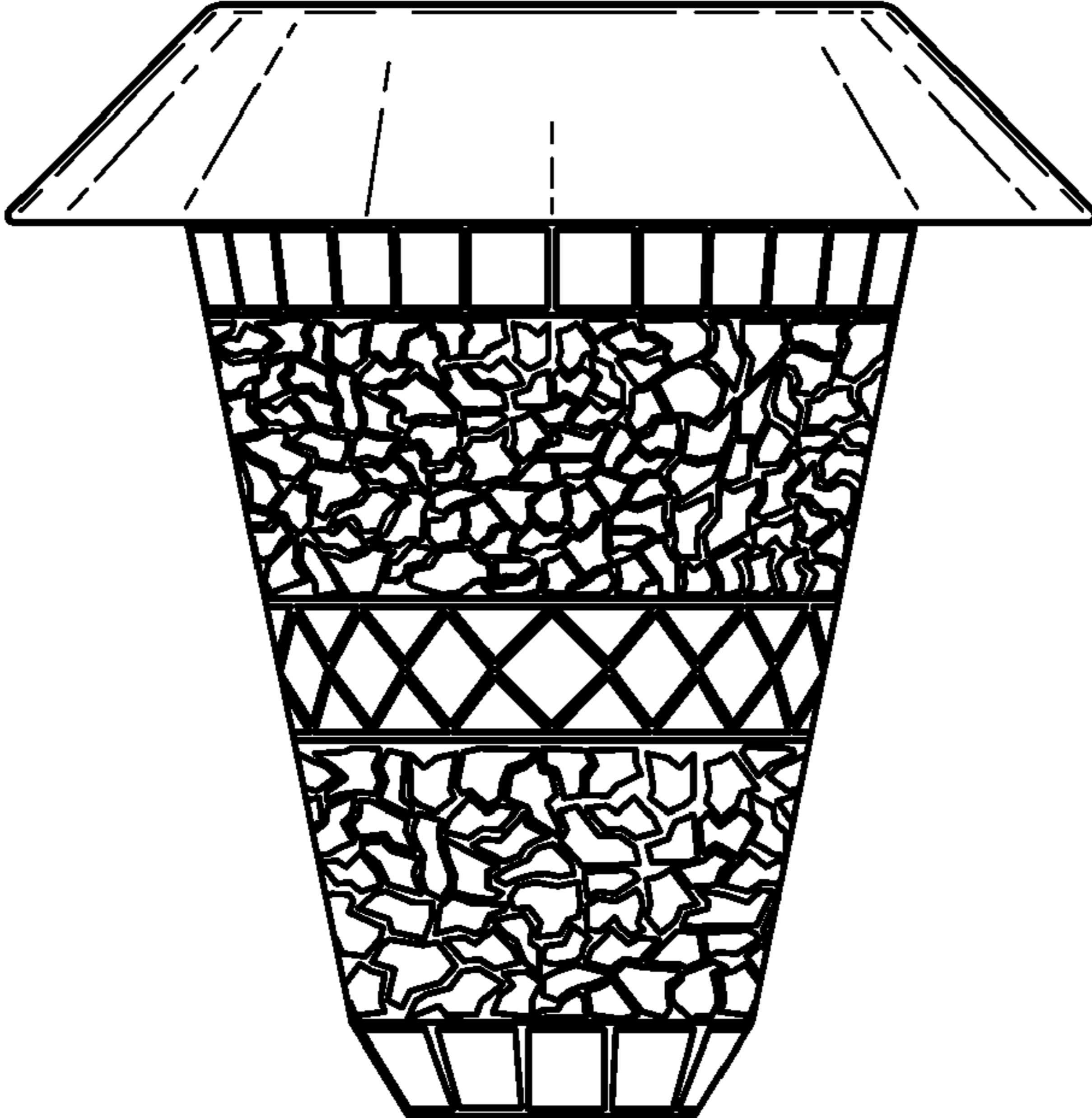
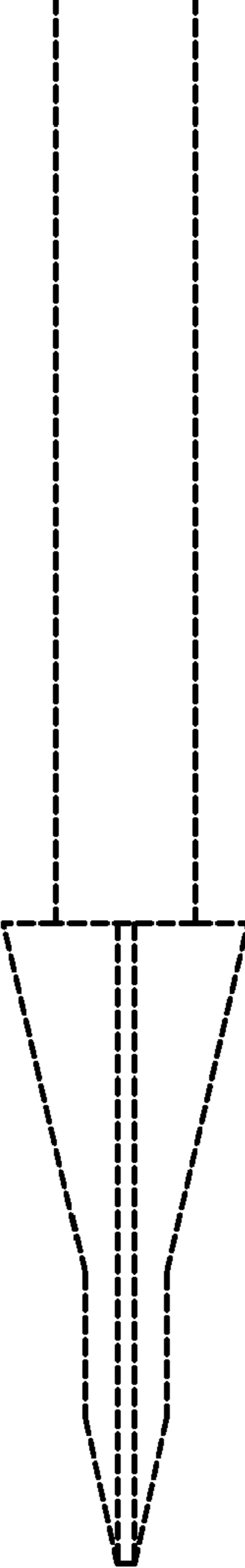


FIG. 3



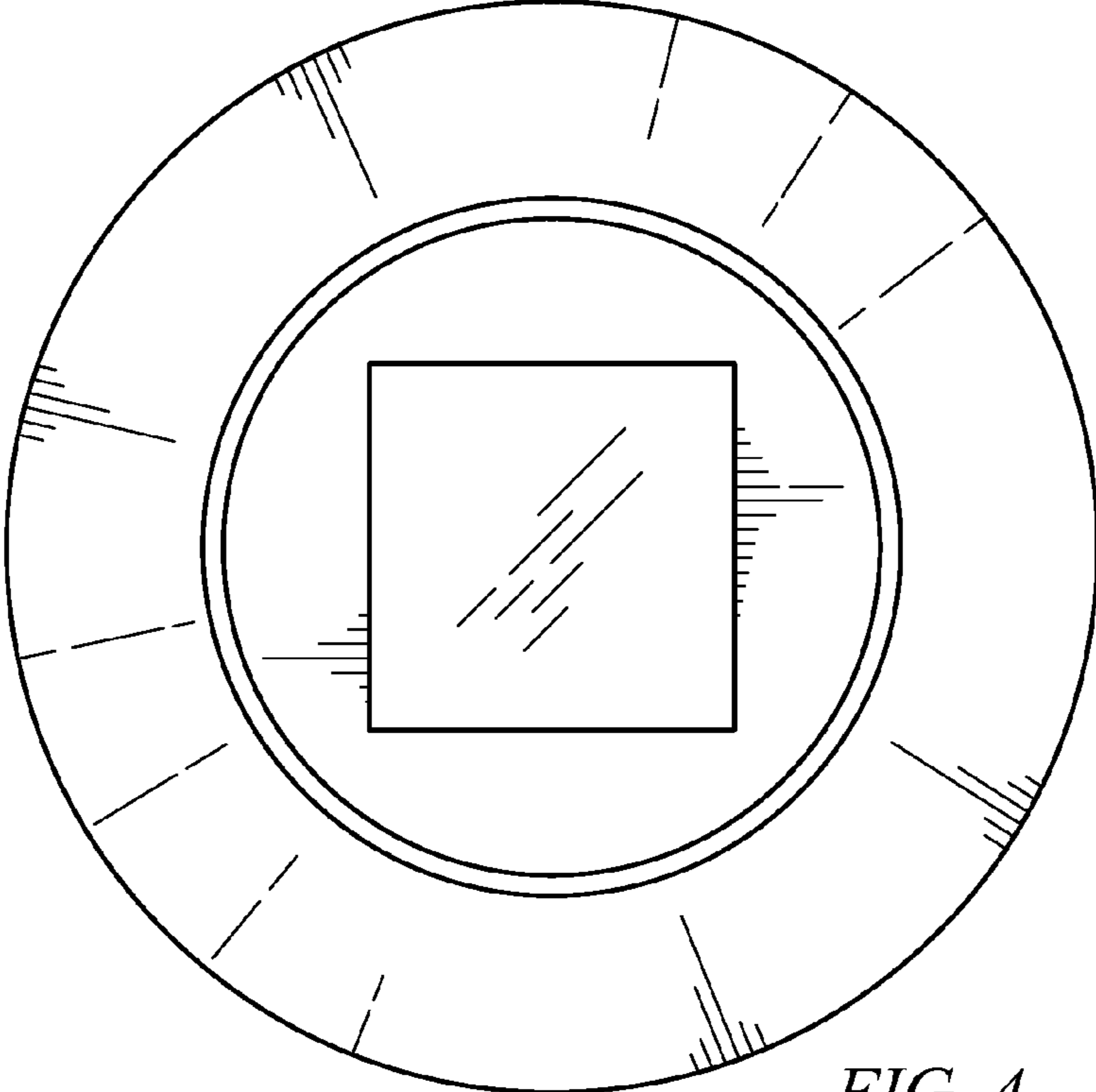


FIG. 4

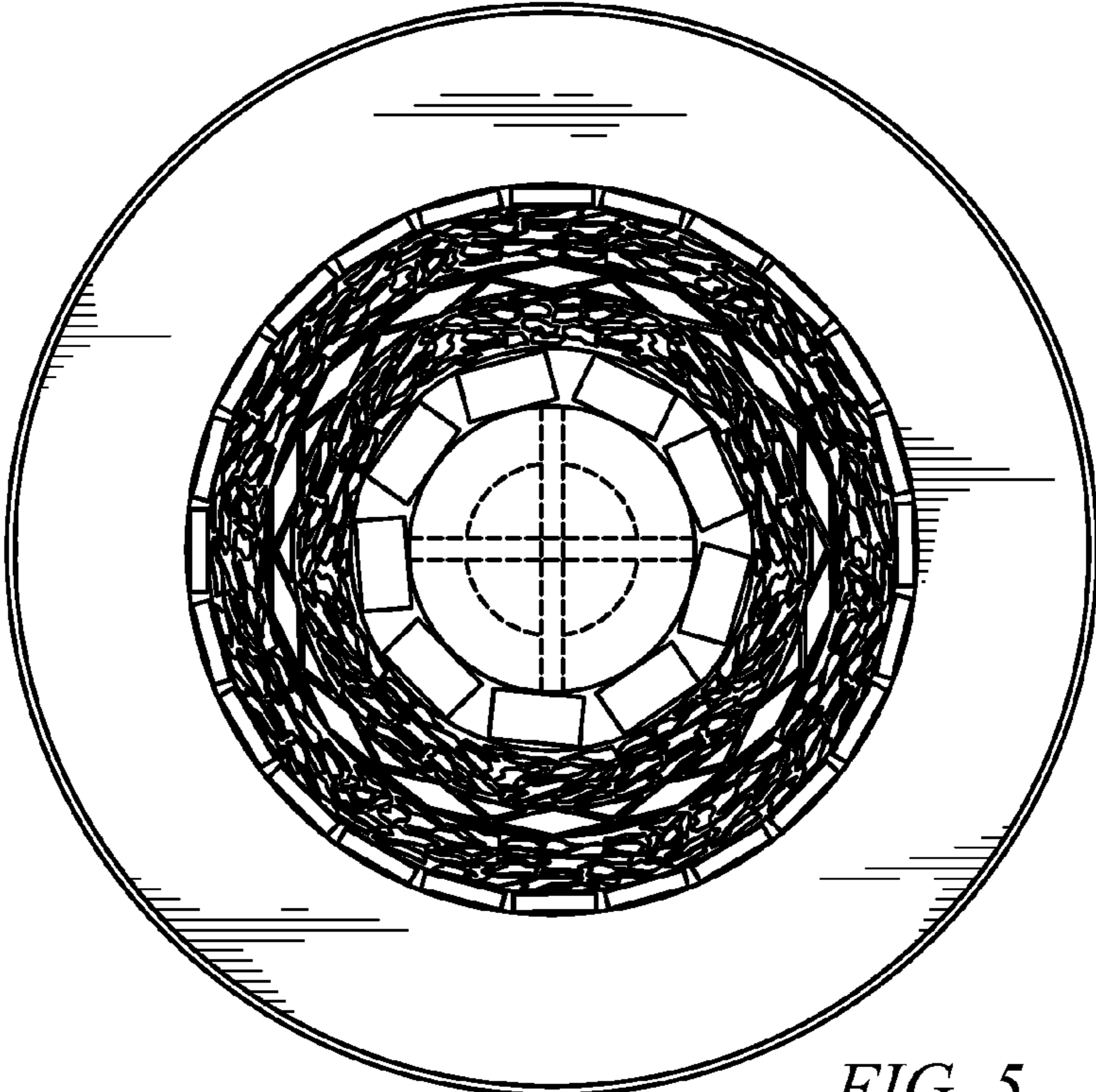


FIG. 5