



US00D638965S

(12) **United States Design Patent**
Sun

(10) **Patent No.:** **US D638,965 S**

(45) **Date of Patent:** **** May 31, 2011**

(54) **PORTABLE LAMP**

(76) Inventor: **Yikai Sun**, Shenzhen (CN)

(**) Term: **14 Years**

(21) Appl. No.: **29/358,914**

(22) Filed: **Apr. 1, 2010**

(30) **Foreign Application Priority Data**

Mar. 12, 2010 (CN) 2010 3 0124589

(51) **LOC (9) Cl.** **26-02**

(52) **U.S. Cl.** **D26/40**

(58) **Field of Classification Search** D26/37,
D26/40, 41, 46, 49; 362/157, 158, 171-174,
362/186, 202-208

See application file for complete search history.

(56) **References Cited**

U.S. PATENT DOCUMENTS

D539,954 S *	4/2007	Yen	D26/40
D541,453 S *	4/2007	Lau	D26/40
D553,272 S *	10/2007	Leung	D26/37
D564,112 S *	3/2008	Jen	D26/40
D575,429 S *	8/2008	Shiu	D26/40
D581,568 S *	11/2008	Bertken	D26/40
D583,492 S *	12/2008	Jen	D26/40

D599,923 S *	9/2009	Shiu	D26/40
D604,436 S *	11/2009	Poon	D26/40
D608,920 S *	1/2010	Loibl	D26/40

* cited by examiner

Primary Examiner — Ian Simmons

Assistant Examiner — Carissa C Fitts

(57) **CLAIM**

The ornamental design for a portable lamp, as shown and described.

DESCRIPTION

FIG. 1 is a perspective view of a portable lamp showing my new design;

FIG. 2 is a rear side view of the portable lamp shown in FIG. 1;

FIG. 3 is a left side elevational view of the portable lamp shown in FIG. 1;

FIG. 4 is a right side elevational view of the portable lamp shown in FIG. 1;

FIG. 5 is a top view of the portable lamp depicted in FIG. 1;

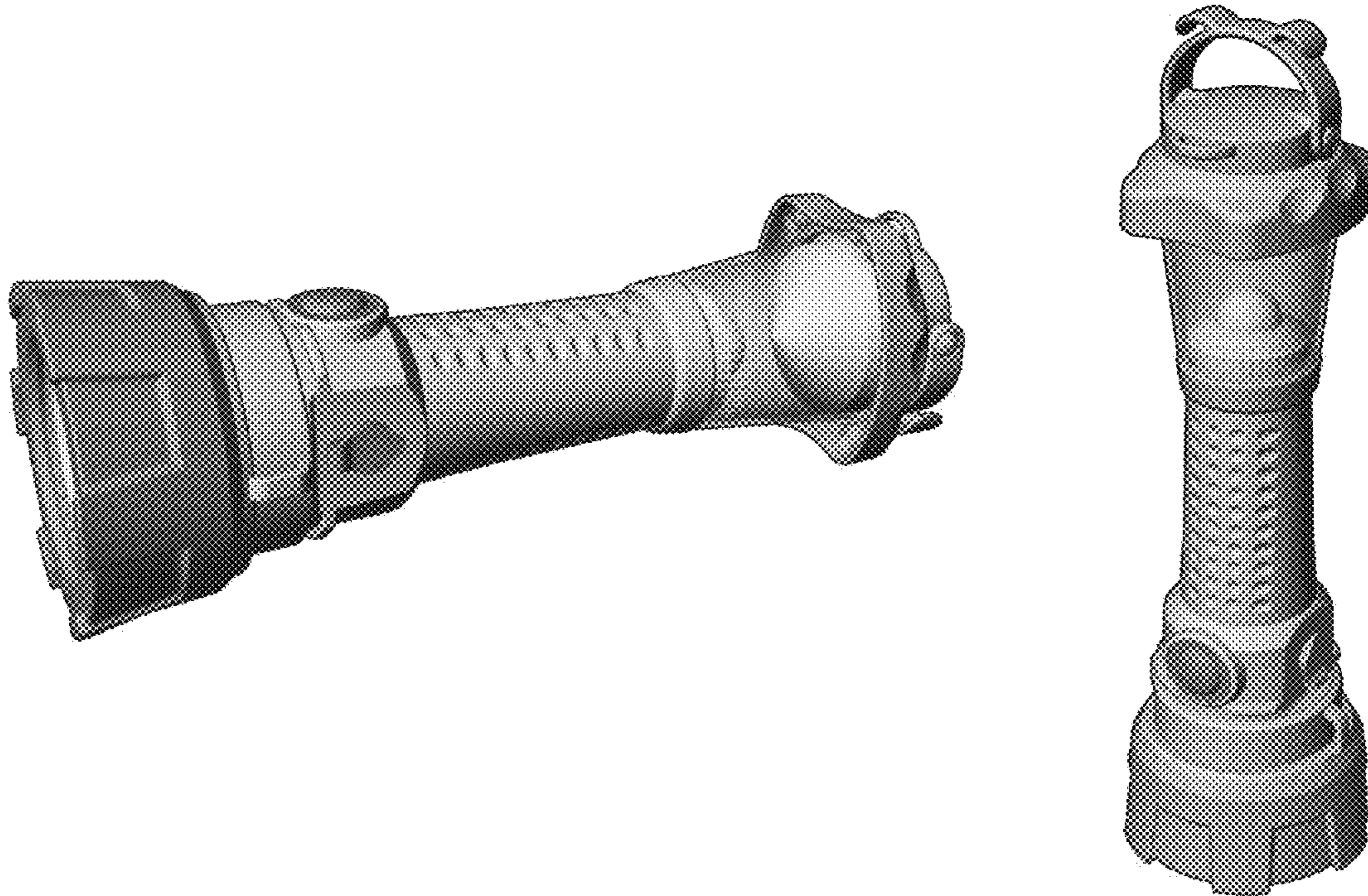
FIG. 6 is a bottom view of a portable lamp depicted in FIG. 1;

FIG. 7 is a front side view of the portable lamp shown in FIG. 1;

FIG. 8 is a another perspective view of the portable lamp shown in FIG. 1; and,

FIG. 9 is a perspective view of the portable lamp shown in FIGS. 1 through 8 in an alternate position.

1 Claim, 5 Drawing Sheets



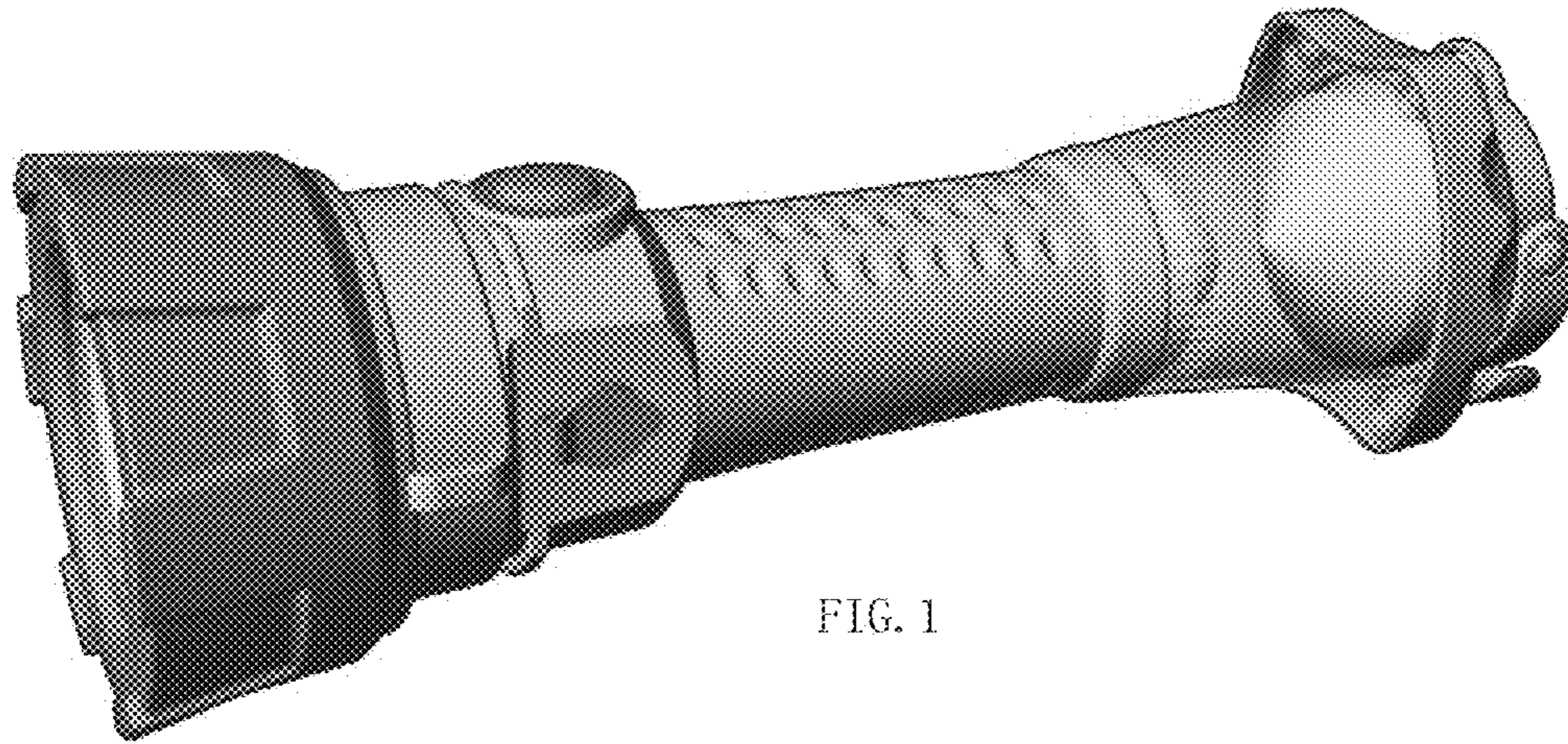


FIG. 1

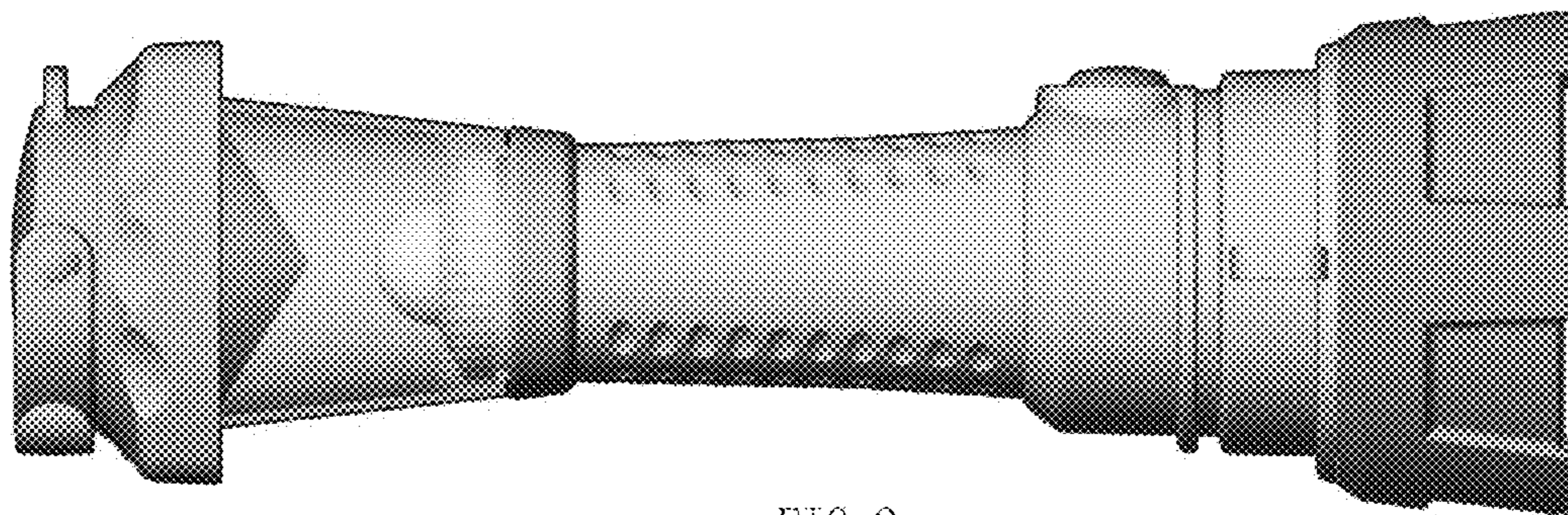


FIG. 2

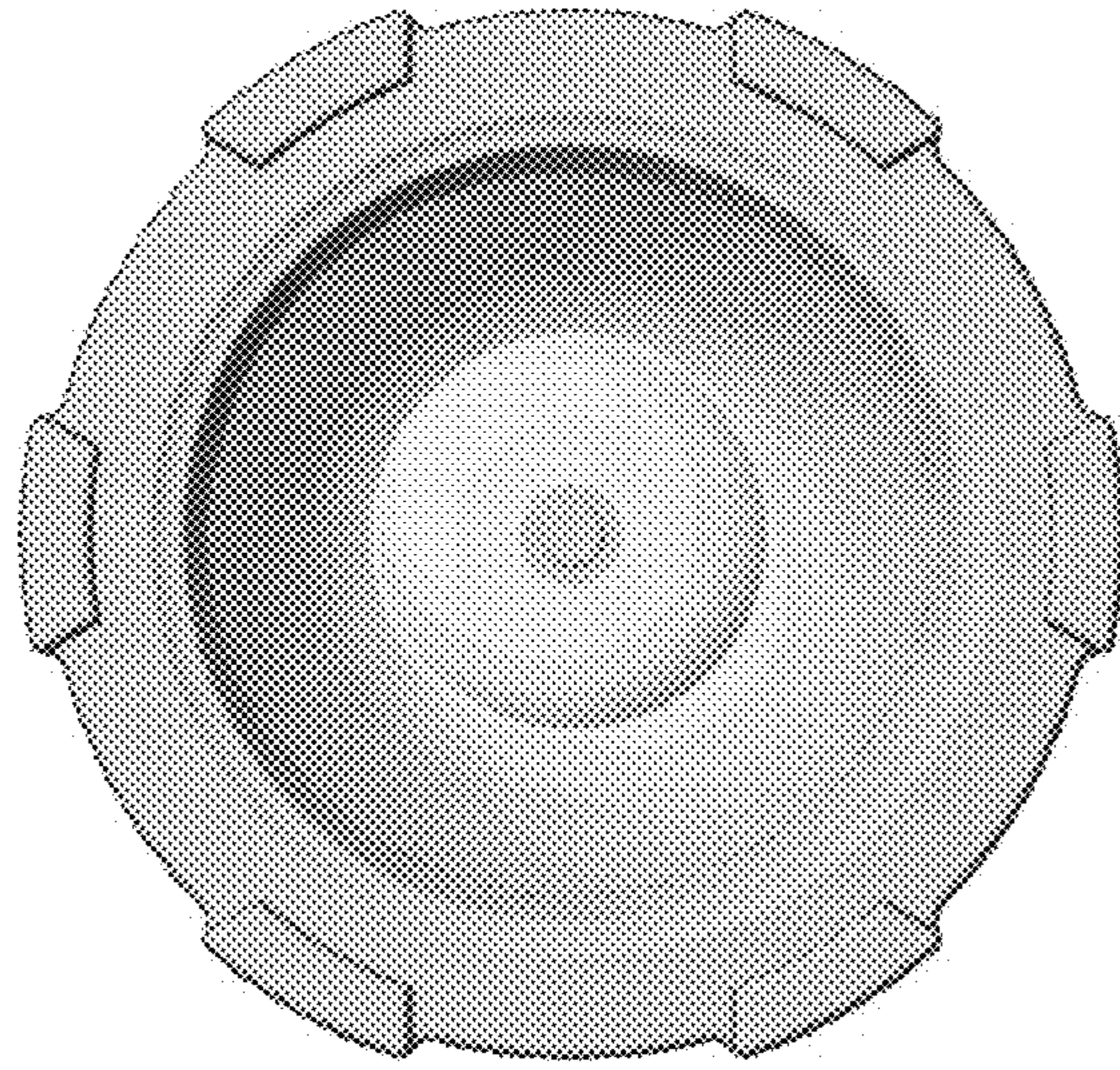


FIG. 3

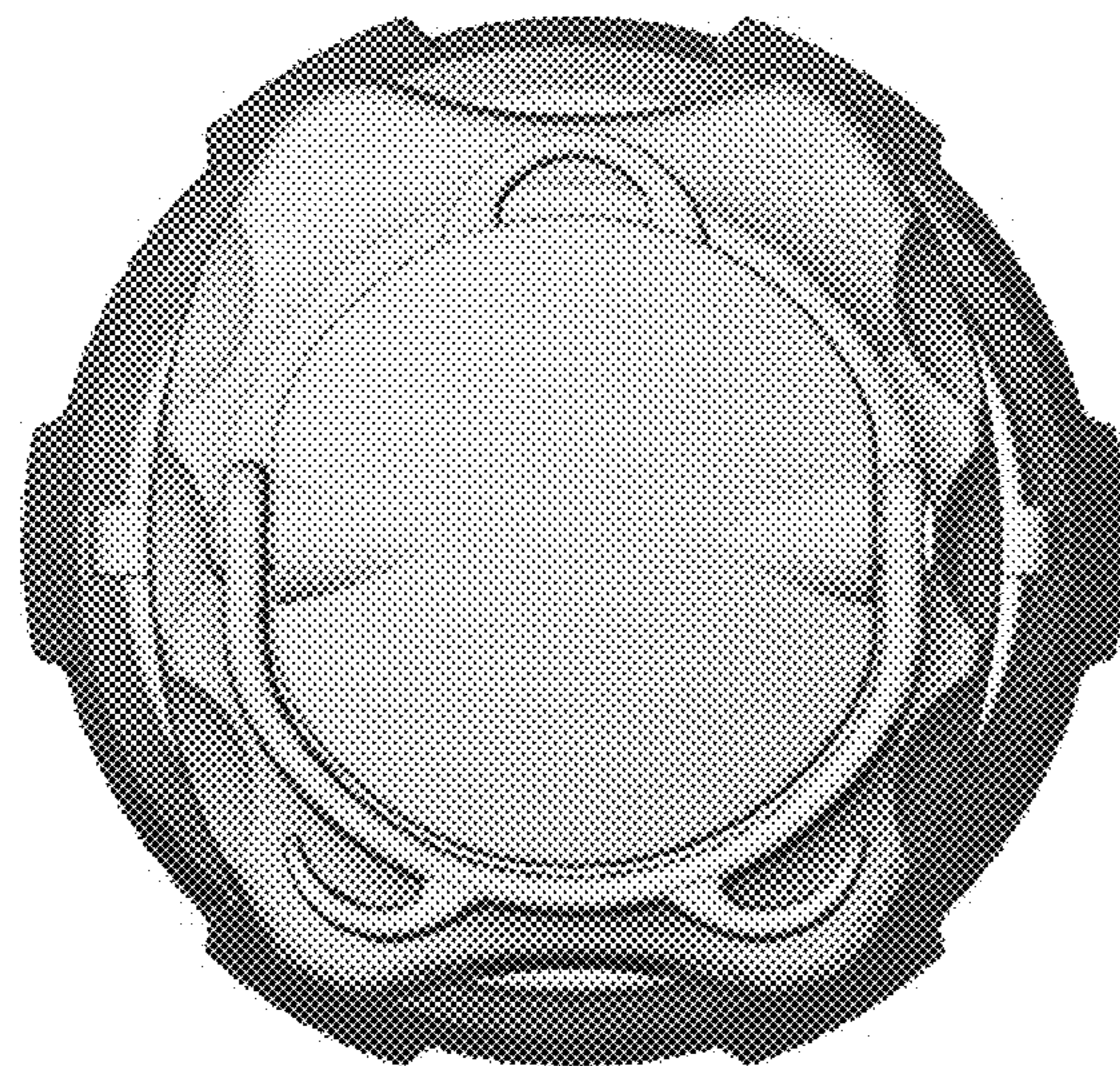


FIG. 4

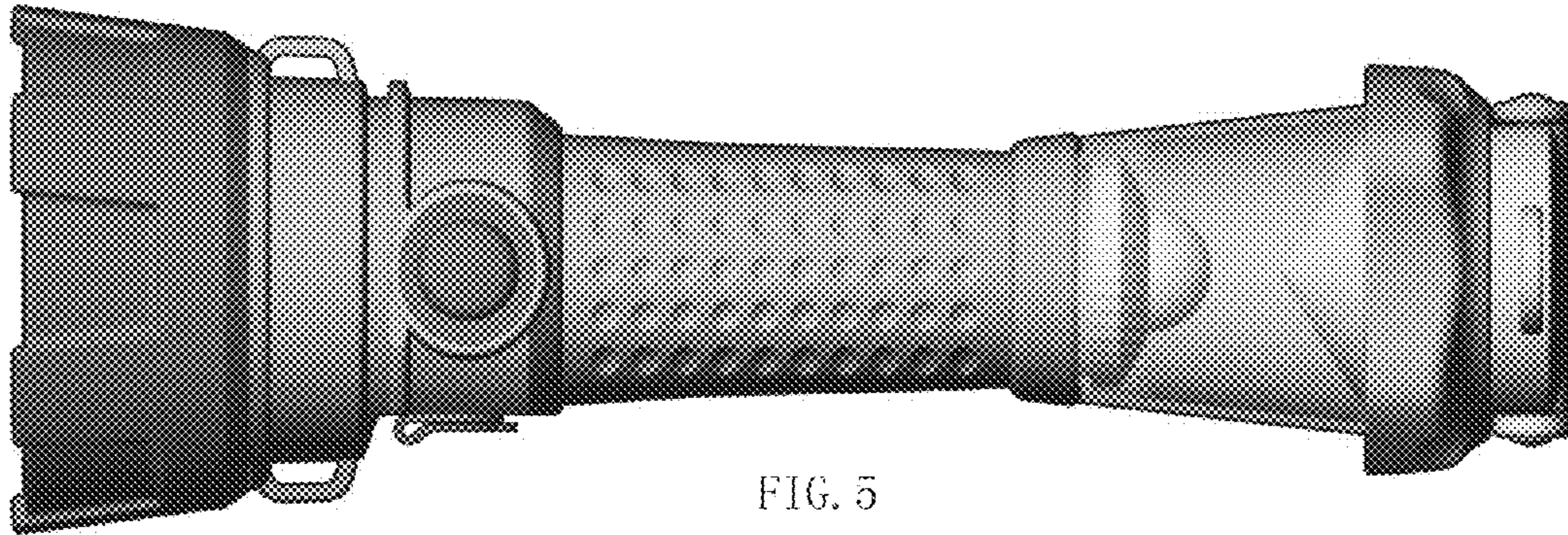


FIG. 5

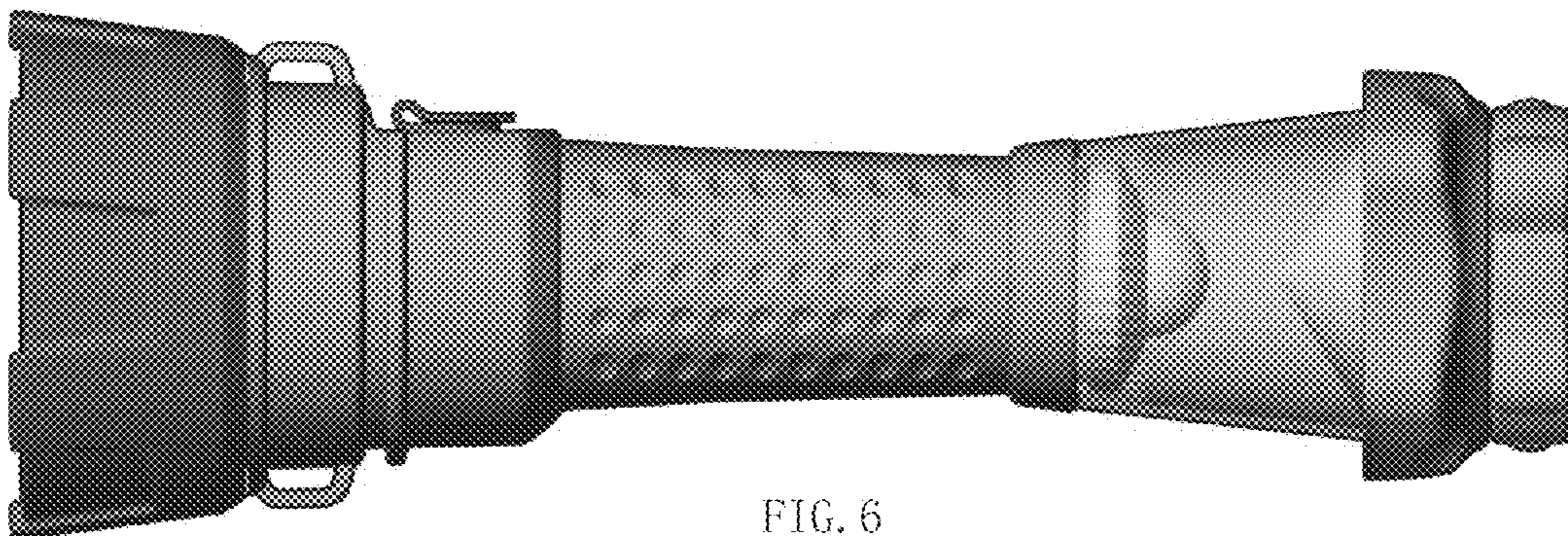


FIG. 6

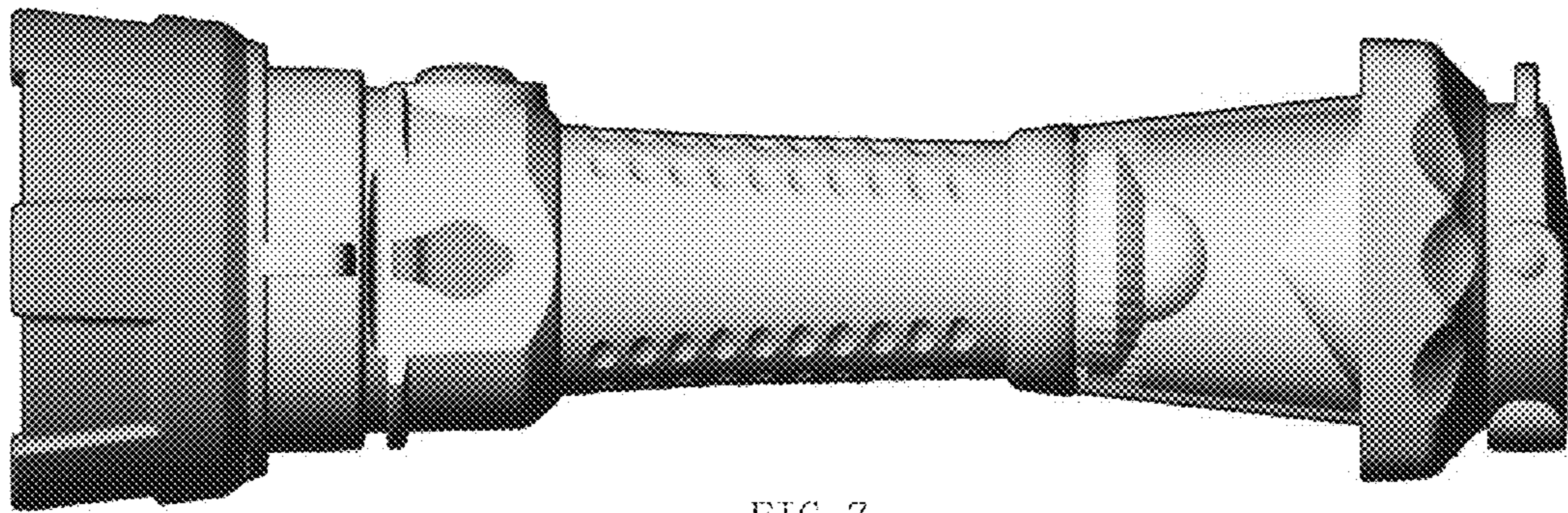


FIG. 7

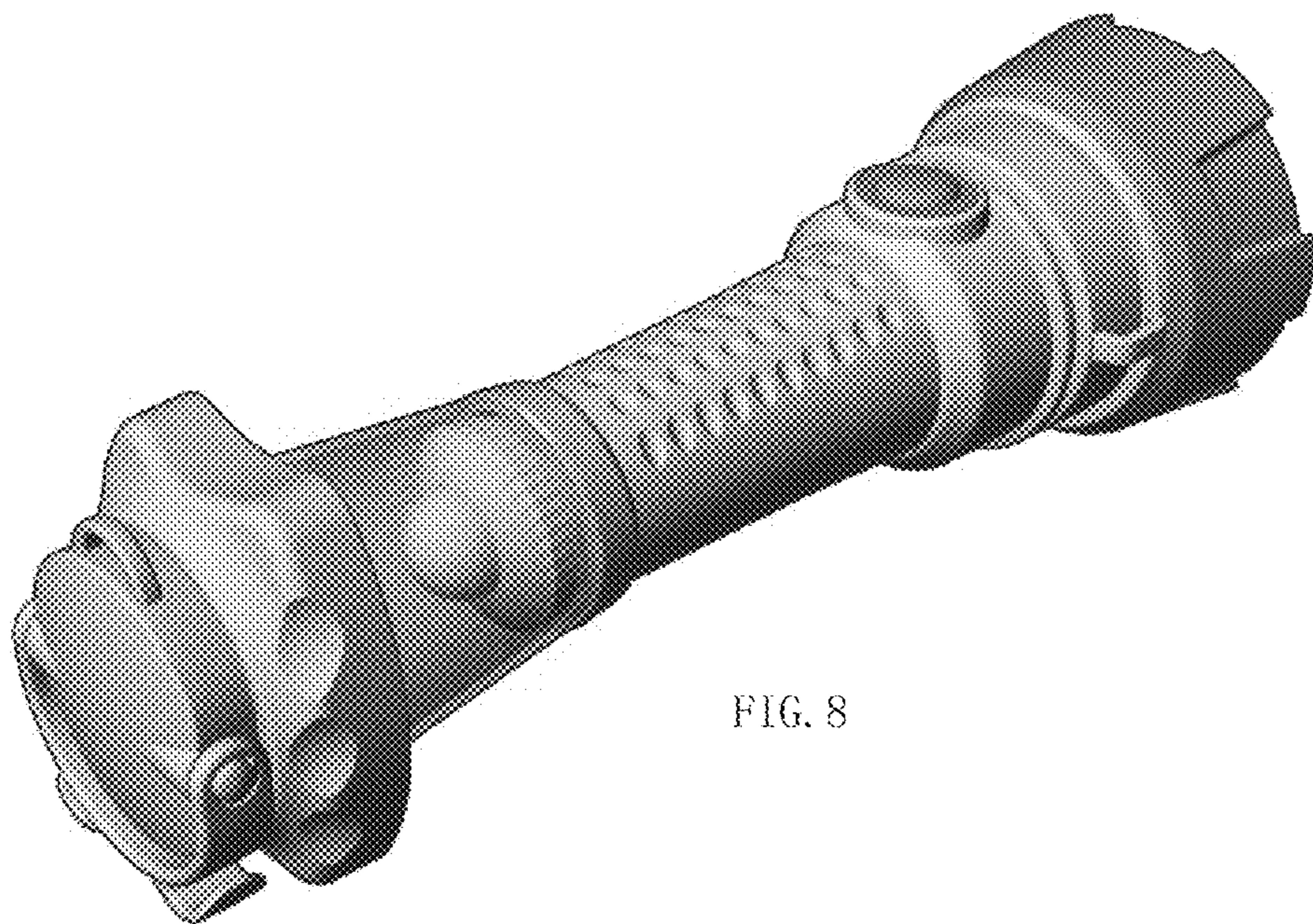


FIG. 8

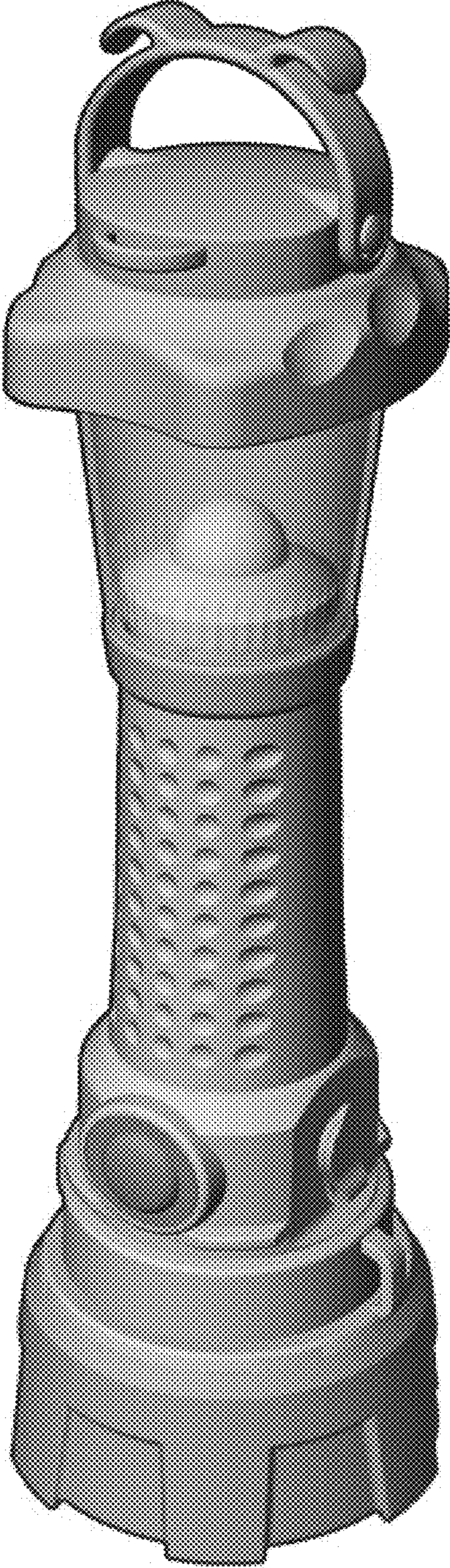


FIG. 9