



US00D638963S

(12) **United States Design Patent**
Huang

(10) **Patent No.:** **US D638,963 S**

(45) **Date of Patent:** **** May 31, 2011**

(54) **VEHICLE LAMP**

(75) Inventor: **Cheng-Nan Huang**, Tainan County
(TW)

(73) Assignee: **Sirius Light Technology Co., Ltd.**,
Tainan (TW)

(**) Term: **14 Years**

(21) Appl. No.: **29/378,262**

(22) Filed: **Nov. 2, 2010**

(30) **Foreign Application Priority Data**

Jul. 30, 2010 (TW) 99303758

(51) **LOC (9) Cl.** **26-06**

(52) **U.S. Cl.** **D26/28**

(58) **Field of Classification Search** D26/28-36;
362/459-468, 475-478, 485-487
See application file for complete search history.

(56) **References Cited**

U.S. PATENT DOCUMENTS

D490,172 S * 5/2004 Yamamoto D26/28
D521,162 S * 5/2006 Campagna D26/28

D532,537 S * 11/2006 Shiu D26/39
D564,683 S * 3/2008 Roach et al. D26/28
D570,011 S * 5/2008 Huang D26/28
D574,978 S * 8/2008 Hyodo et al. D26/28
D575,856 S * 8/2008 Ziemann et al. D23/284
D585,575 S * 1/2009 Crispin et al. D26/28
D606,675 S * 12/2009 Chinaglia D26/28

* cited by examiner

Primary Examiner — Marcus A Jackson

(74) *Attorney, Agent, or Firm* — Birch, Stewart, Kolasch &
Birch, LLP

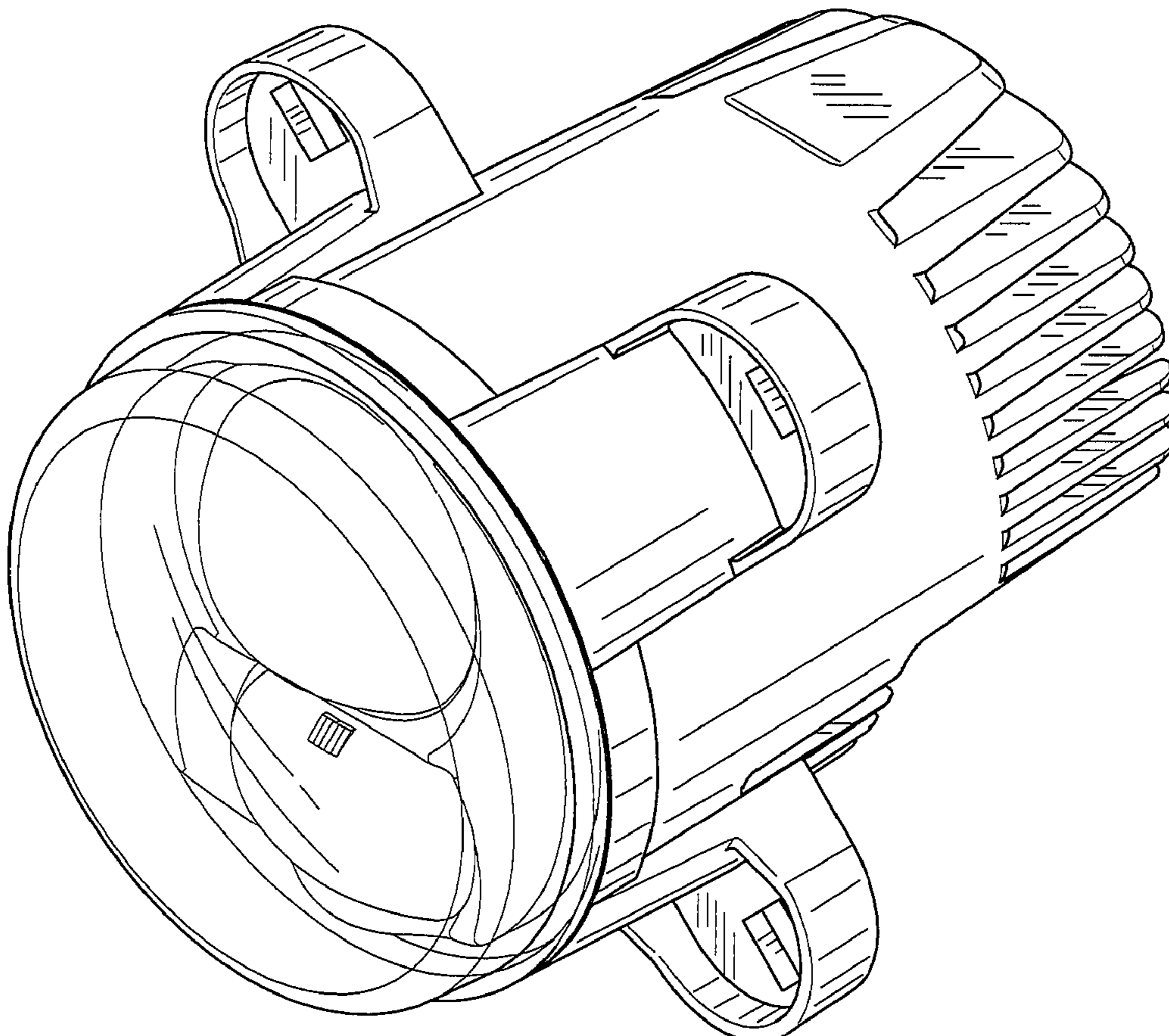
(57) **CLAIM**

The ornamental design for vehicle lamp, as shown and
described.

DESCRIPTION

FIG. 1 is a perspective view of vehicle lamp showing my new
design;
FIG. 2 is a front elevational view thereof;
FIG. 3 is a rear elevational view thereof;
FIG. 4 is a left side elevational view thereof;
FIG. 5 is a right side elevational view thereof;
FIG. 6 is a top plan view thereof; and,
FIG. 7 is a bottom plan view thereof.

1 Claim, 5 Drawing Sheets



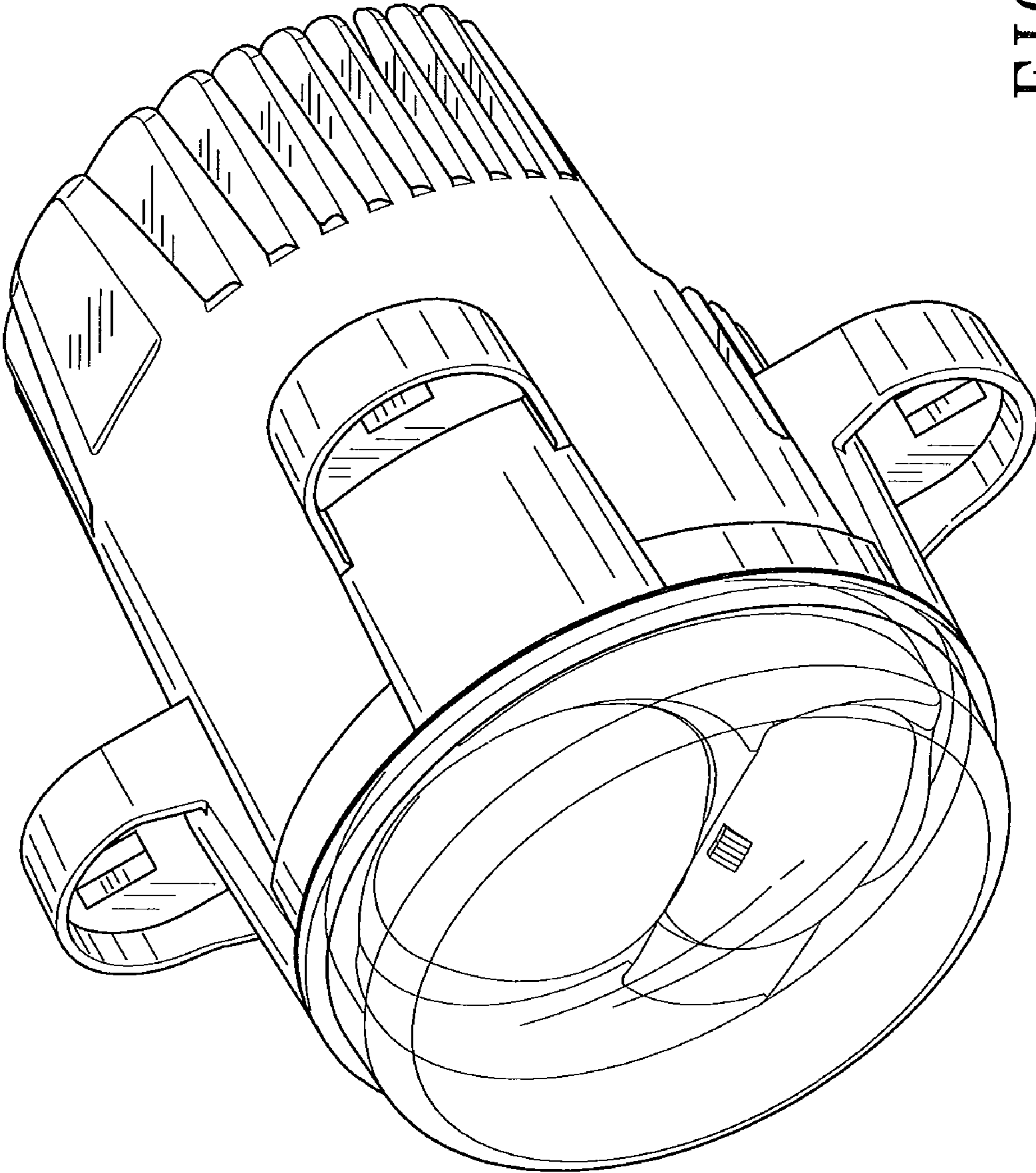


FIG. 1

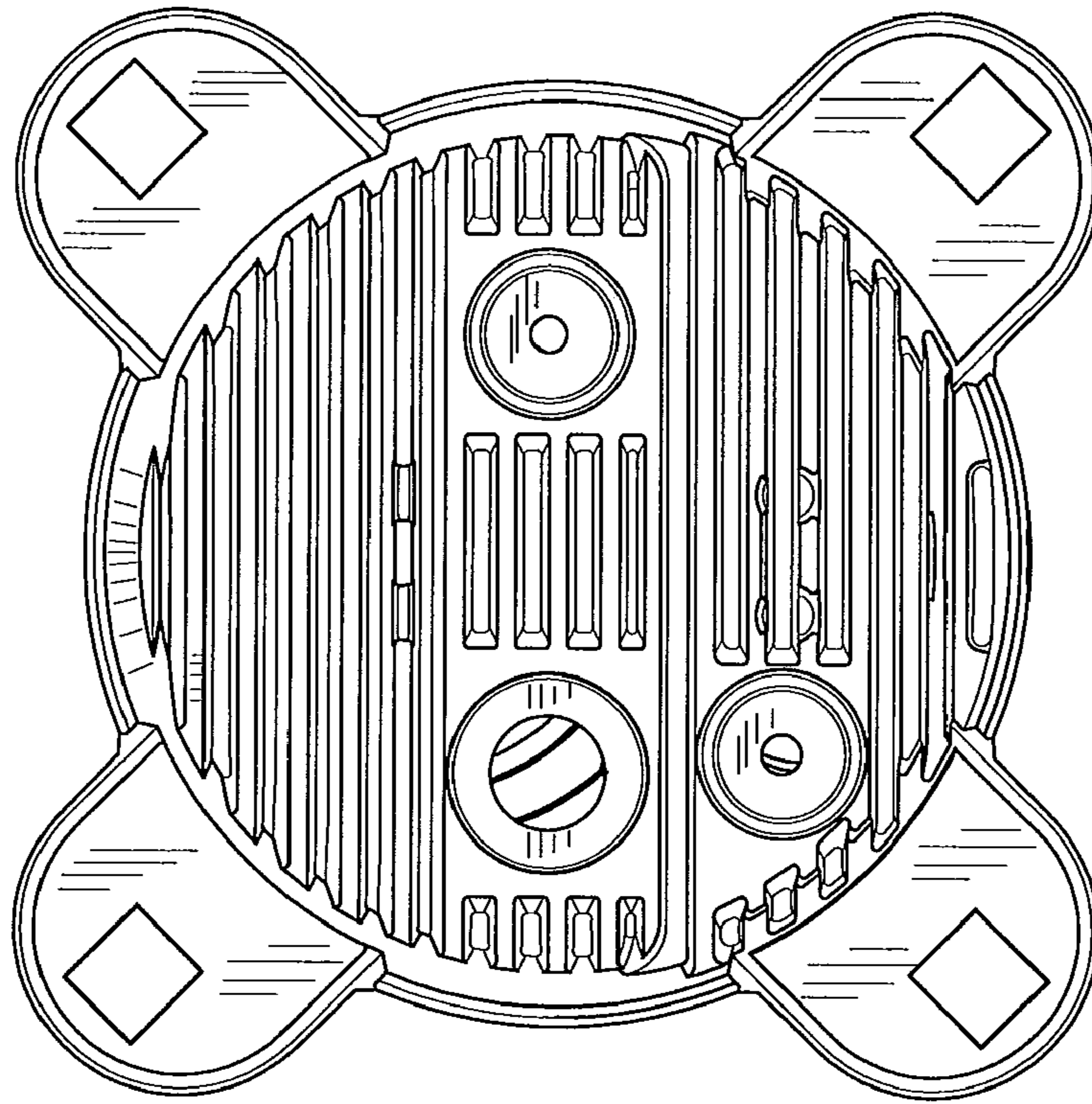


FIG. 3

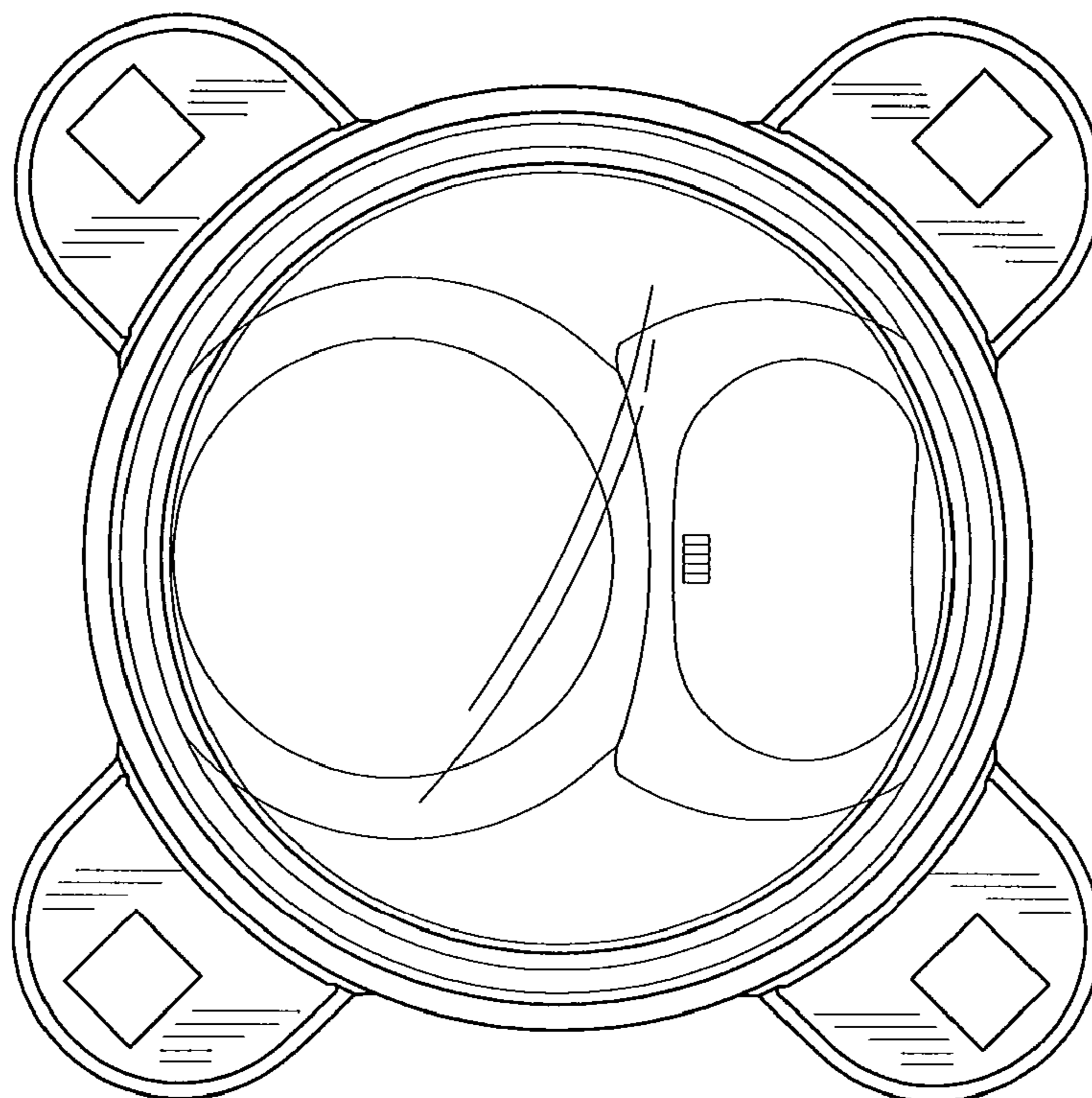


FIG. 2

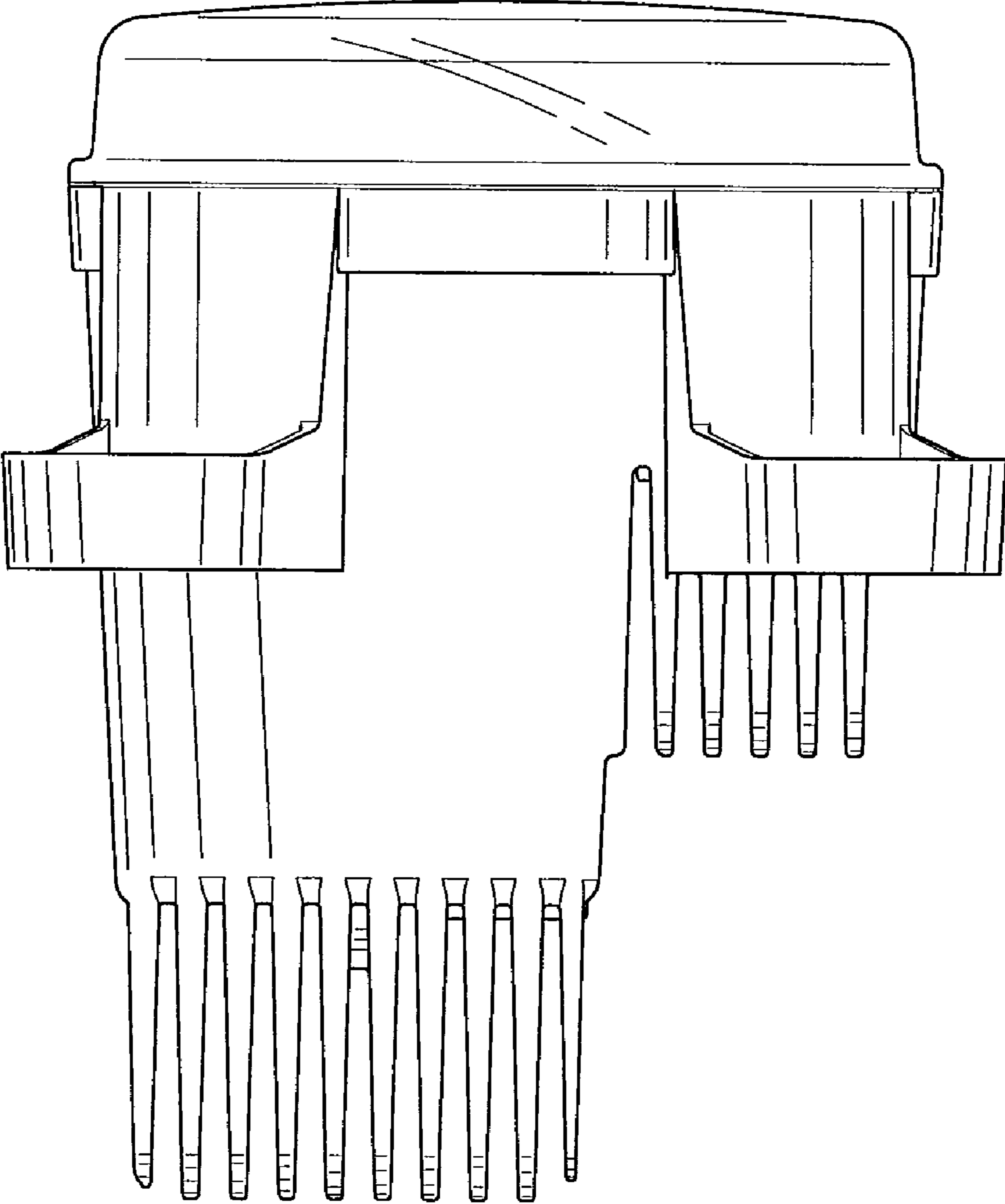


FIG. 4

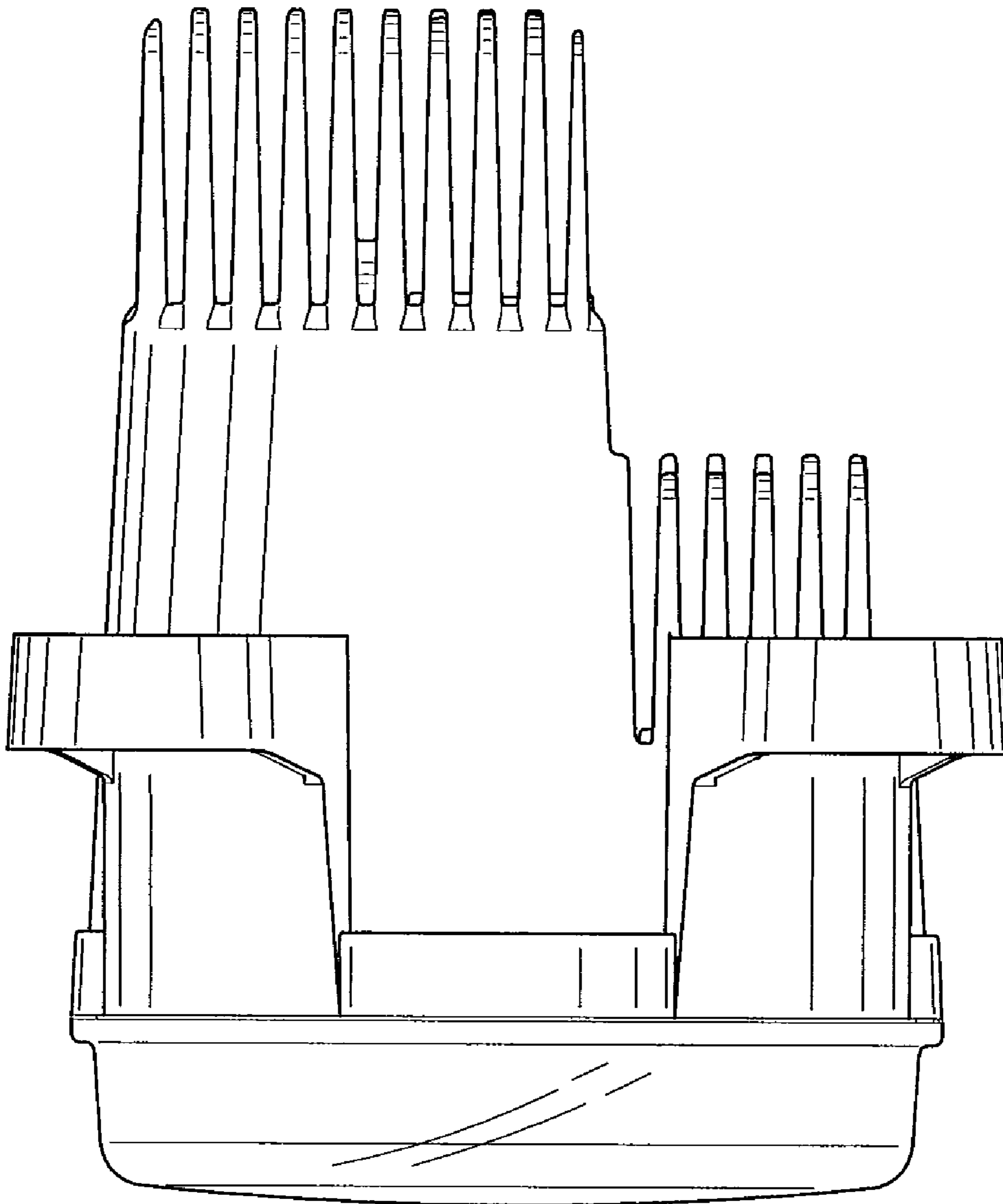


FIG. 5

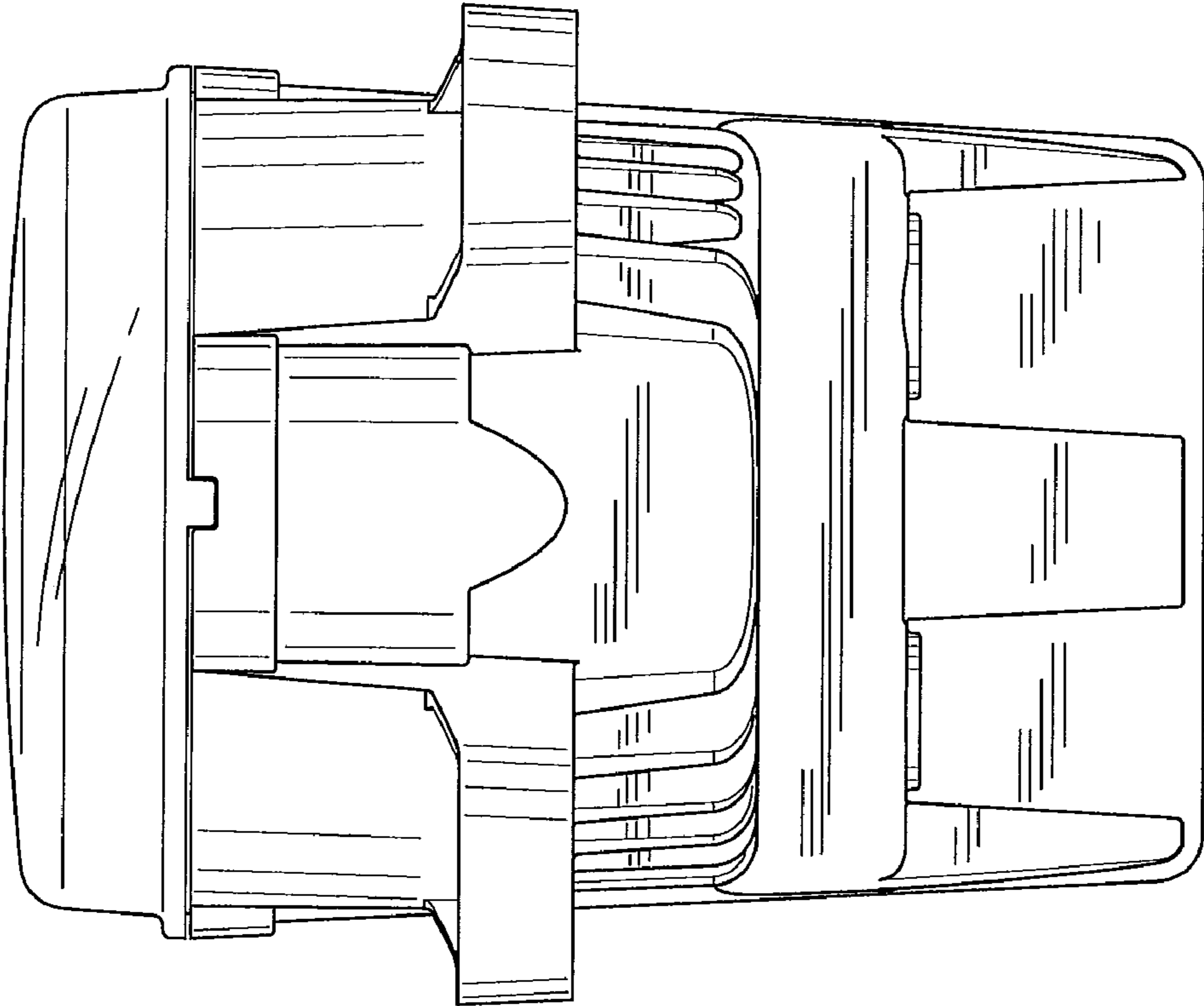


FIG. 7

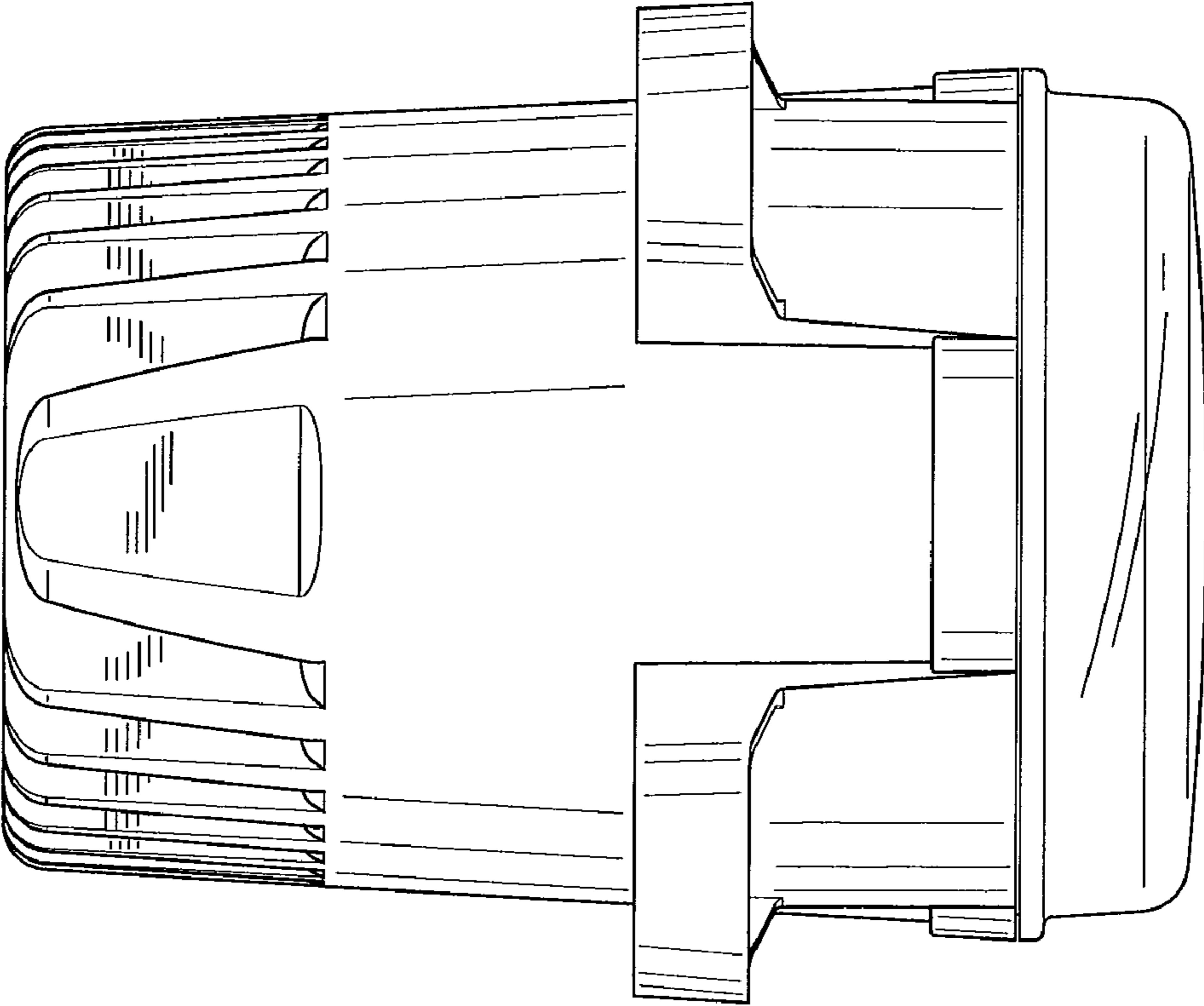


FIG. 6