



US00D638961S

(12) **United States Design Patent**
Ebel et al.

(10) **Patent No.:** **US D638,961 S**

(45) **Date of Patent:** **** May 31, 2011**

(54) **VEHICLE TAILLIGHT**

(75) Inventors: **Addam Ebel**, Dearborn, MI (US);
Solomon H. Song, Farmington Hills, MI
(US); **Darrell Paul Behmer**, Novi, MI
(US); **Moray Stuart Callum**, Ann
Arbor, MI (US)

(73) Assignee: **Ford Motor Company**, Dearborn, MI
(US)

(**) Term: **14 Years**

(21) Appl. No.: **29/295,773**

(22) Filed: **Oct. 5, 2007**

(51) **LOC (9) Cl.** **26-06**

(52) **U.S. Cl.** **D26/28**

(58) **Field of Classification Search** D26/28–36;
362/459–468, 475–478, 485–487
See application file for complete search history.

(56) **References Cited**

U.S. PATENT DOCUMENTS

D549,363	S	*	8/2007	Pfeiffer	D26/28
D552,769	S	*	10/2007	Leclercq	D26/28
D553,268	S	*	10/2007	Pfeiffer	D26/28
D553,269	S	*	10/2007	Pfeiffer et al.	D26/28
D560,292	S	*	1/2008	Sato	D26/28
D561,357	S	*	2/2008	Leclercq	D26/28
D565,211	S	*	3/2008	Haller et al.	D26/28
D570,015	S	*	5/2008	Hsu	D26/28
D574,524	S	*	8/2008	Tomatsu	D26/28

OTHER PUBLICATIONS

Mercury, Milan Voga unveiled during Miami Fashion Week, Google
Image Result for [http://www.autoblog.com/media/2006/05/
milanvoga2500.jpg](http://www.autoblog.com/media/2006/05/milanvoga2500.jpg).

Mercury, Milan, Concept Photos, Reviews, & more at [http://www.
automotive.com](http://www.automotive.com).

Mercury, Milan, GM Insider at [http://img72.imageshack.us/img72/
5994/mercurymilanseptember07c13.jpg](http://img72.imageshack.us/img72/5994/mercurymilanseptember07c13.jpg).

Mercury, Concept Meta One, Detroit 2005.
Mercury, Milan Premier V6, Detroit 2006.

* cited by examiner

Primary Examiner — Marcus A Jackson

(74) *Attorney, Agent, or Firm* — Damian Porcari

(57) **CLAIM**

The ornamental design for a vehicle taillight, as shown and described.

DESCRIPTION

FIG. 1 is a rear elevational view of a left vehicle trunk taillight (the right vehicle trunk taillight being a mirror of the left and is not illustrated), the lens having been rendered transparent using the Computer Aided Design tools to illustrate the internal surfaces;

FIG. 2 is a left elevational view of the vehicle trunk taillight; FIG. 3 is a right elevational view of the vehicle trunk taillight; FIG. 4 is a top plan view of the vehicle trunk taillight;

FIG. 5 is a bottom plan view of the vehicle trunk taillight; and, FIG. 6 is a front elevational view of the vehicle trunk taillight.

The vehicle trunk taillight is styled independently of adjacent vehicle panels. To the extent that any feature lines are illustrated, they are intended to illustrate the crest and valley of the feature and are not necessarily sharp bends in the part. Shading is used to illustrate the curvature of the part and not color. Areas shown in or sounded by broken lines are not claimed. Any functional features of the vehicle trunk taillight are not claimed. Views are orthogonal projections unless otherwise noted. The various views are not necessarily to scale in order to better illustrate the design. The drawings were generated using Computer Aided Design tools. Highlights and shading were added to the drawings to better illustrate the three-dimensional features of the part. The vehicle headlight is intended to be observed in various states of internal illumination as well as in daylight with no internal illumination.

1 Claim, 6 Drawing Sheets

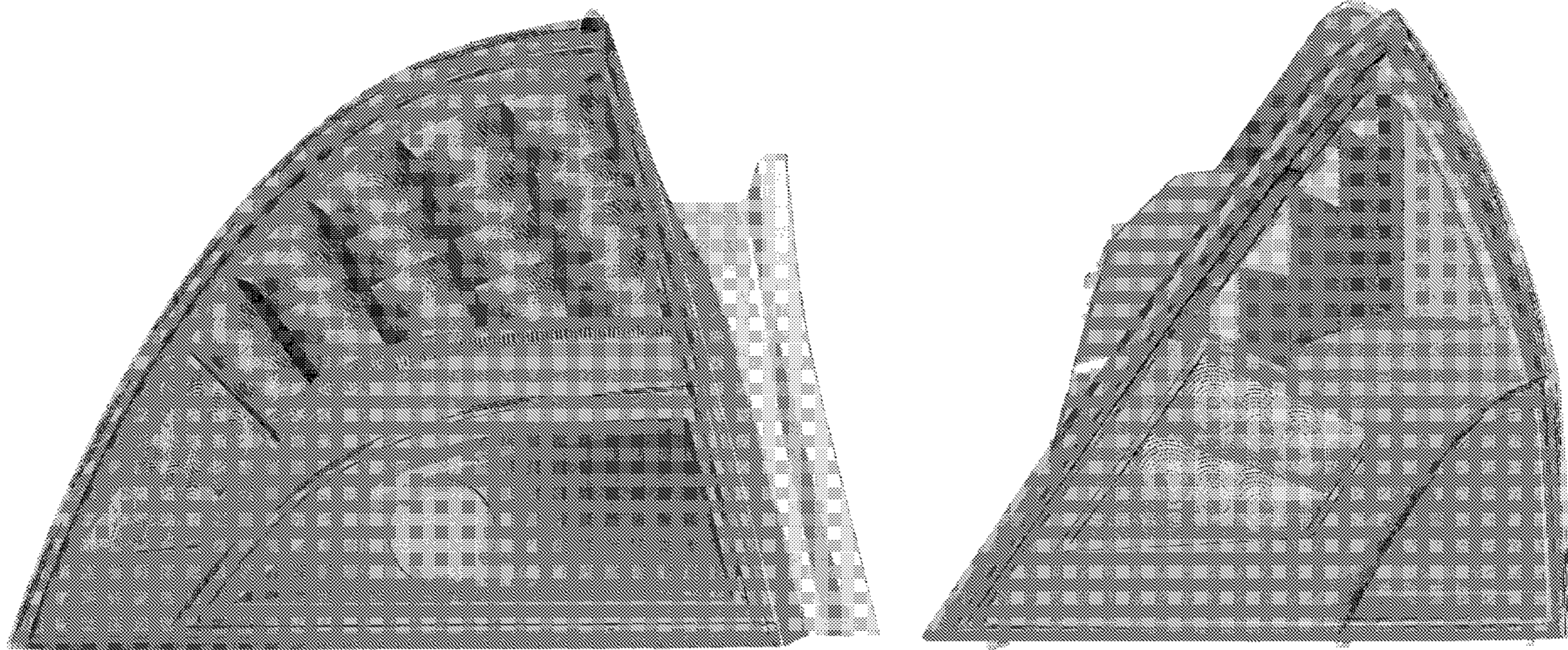


Figure 1

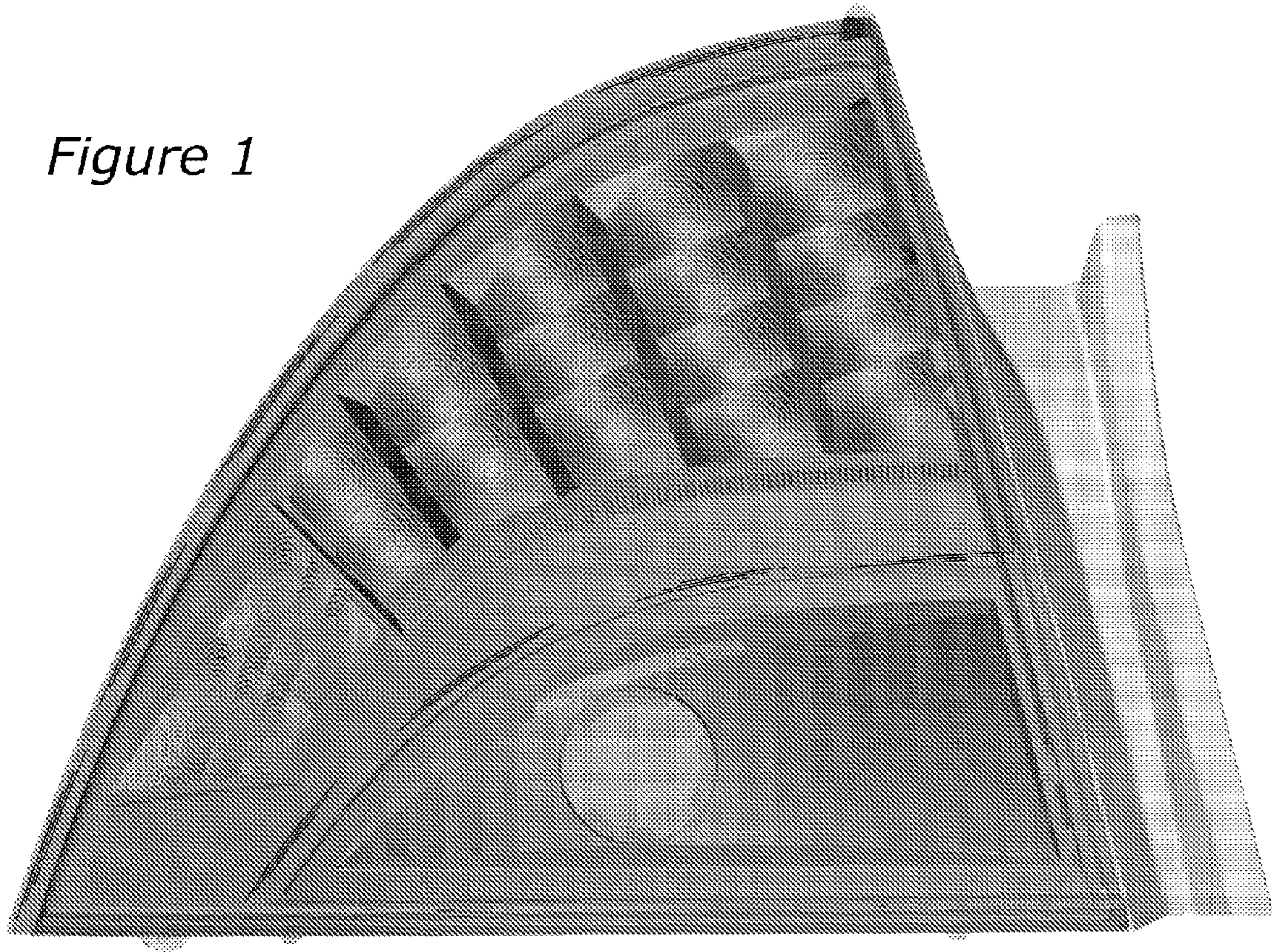


Figure 2

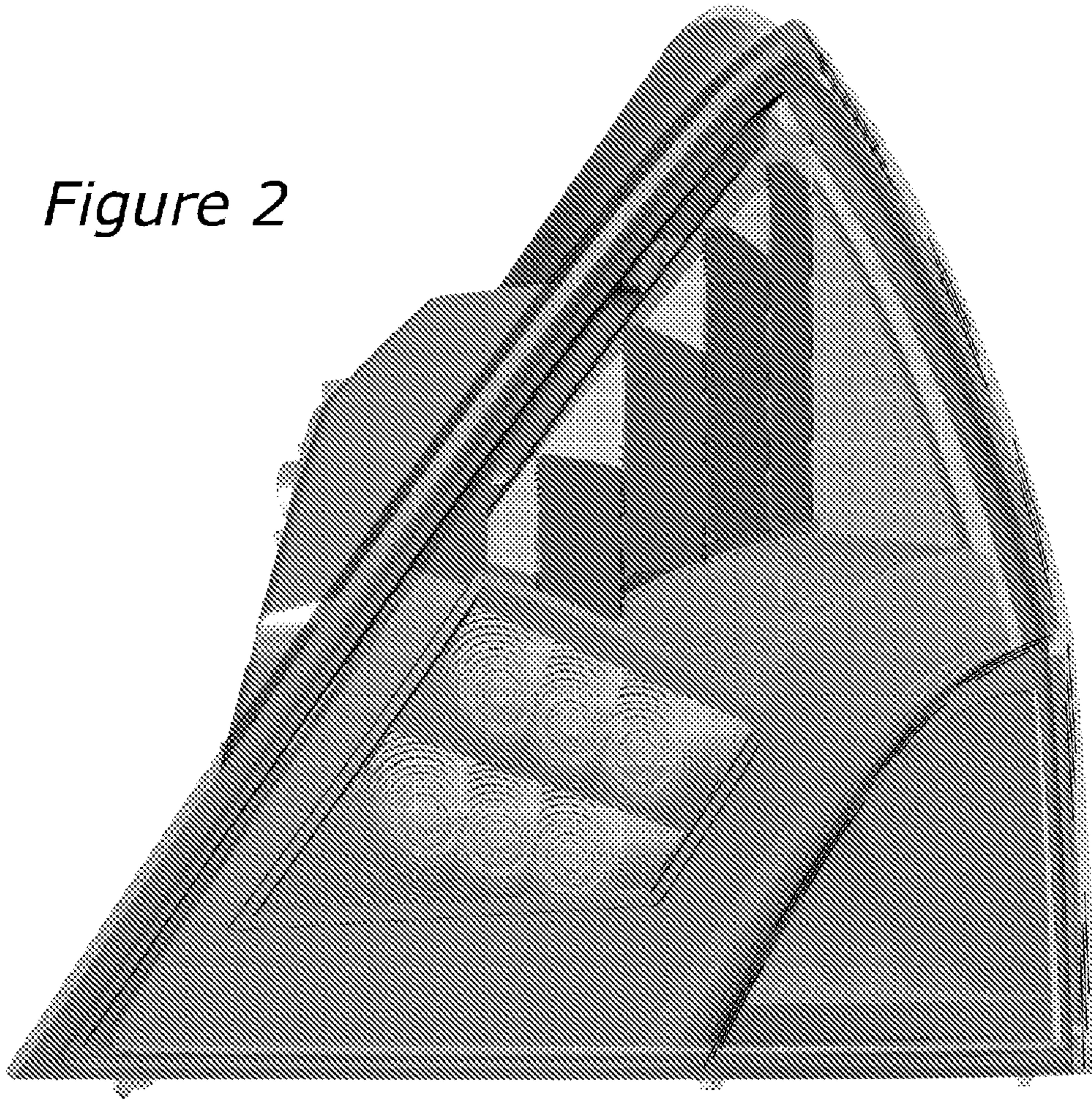
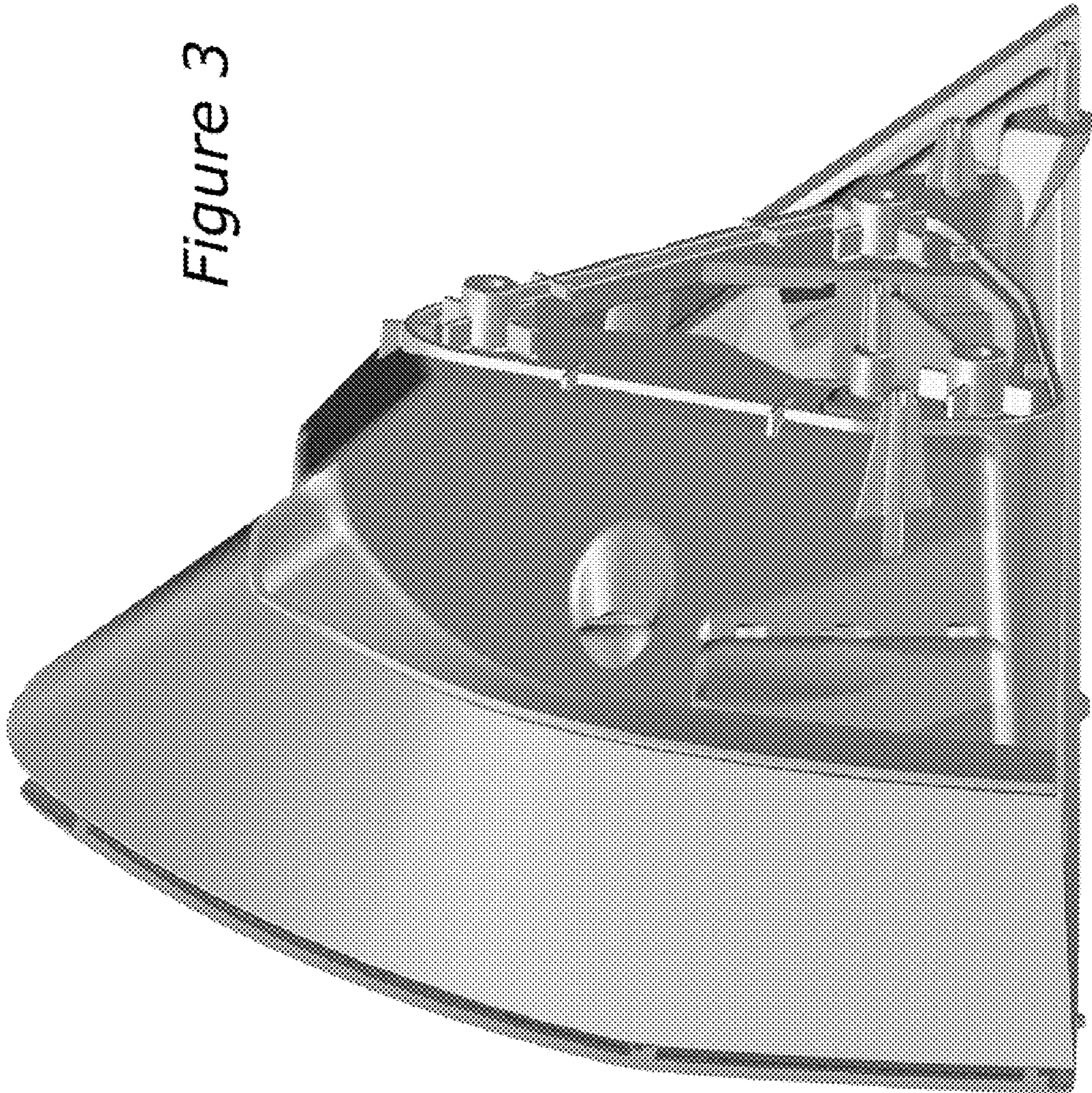


Figure 3



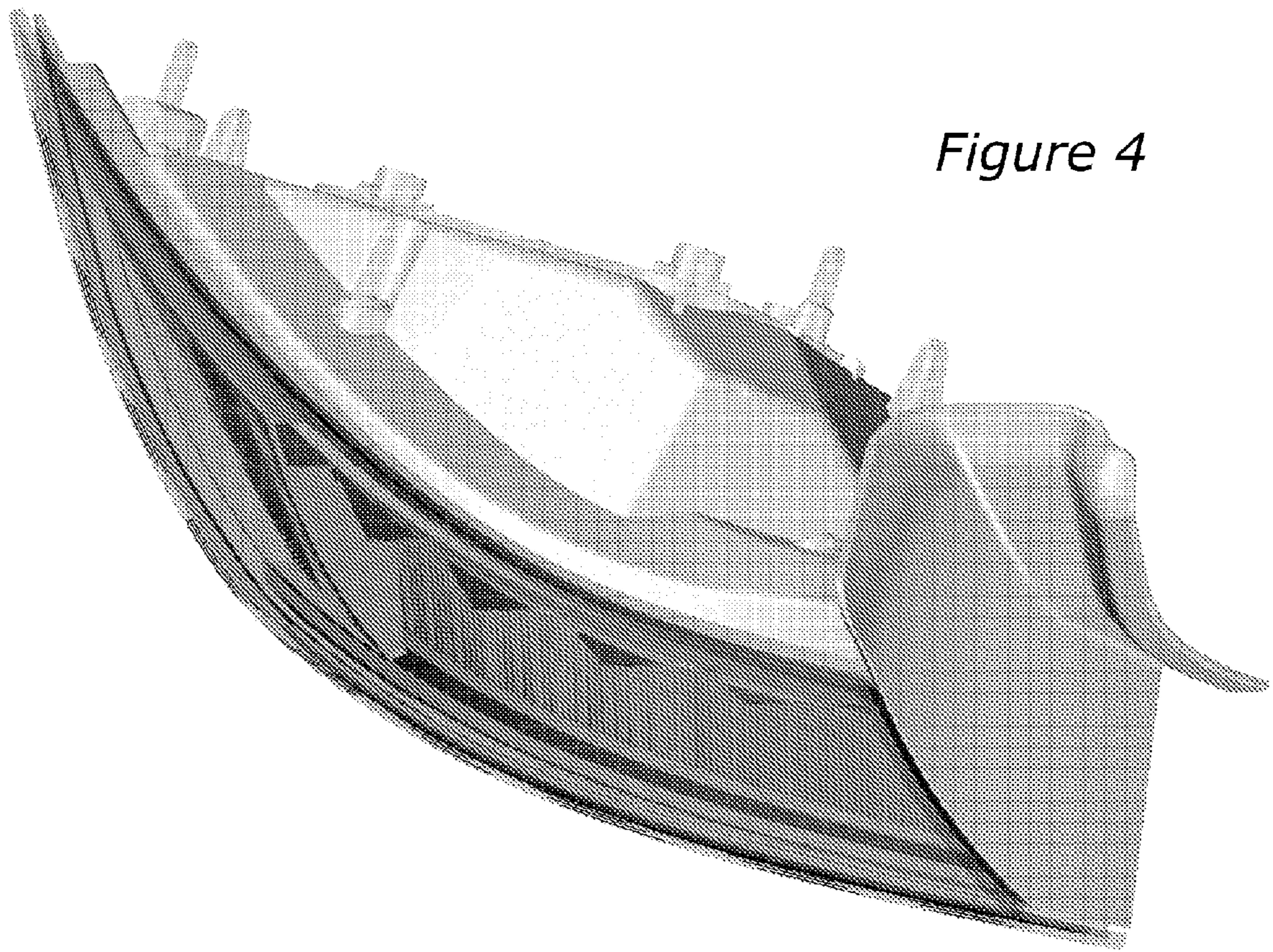


Figure 4

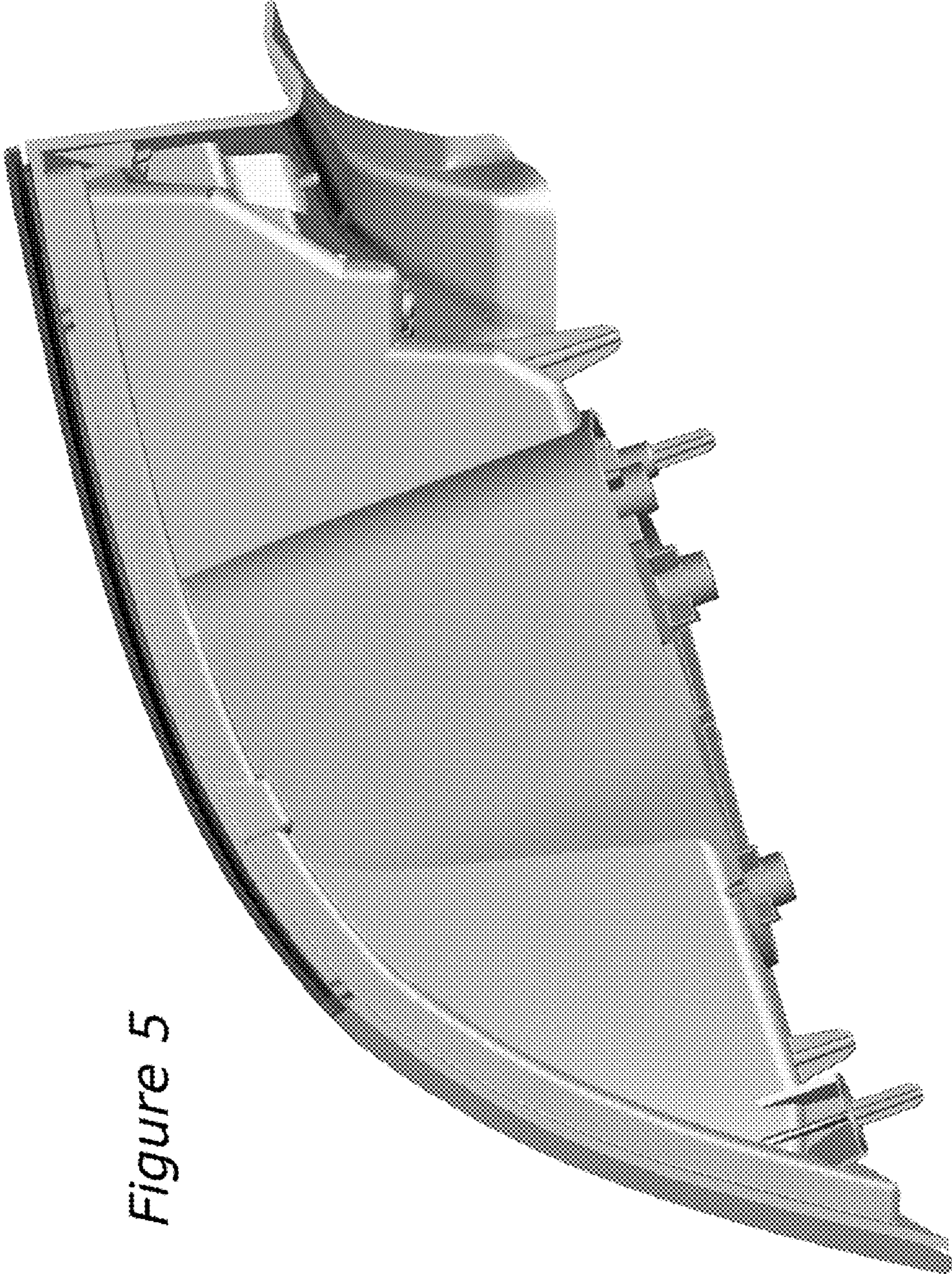


Figure 5

Figure 6

