



US00D638953S

(12) **United States Design Patent**  
**Cavada et al.**

(10) **Patent No.:** **US D638,953 S**  
(45) **Date of Patent:** **\*\* May 31, 2011**

(54) **LABORATORY APPARATUS**

(75) Inventors: **Gil Cavada**, Lake Zurich, IL (US);  
**Morten Egeberg**, Blaker (NO); **Jamie Hogan**, San Diego, CA (US); **Espir Kahatt**, Carlsbad, CA (US); **Lars Nøkleby**, Stabekk (NO); **Lars Norderhaug**, Nesoddtangen (NO); **Tommy Rivrud**, Oslo (NO); **Kornelija Zgonc**, Carlsbad, CA (US)

(73) Assignee: **Invitrogen Dynal AS**, Oslo (NO)

(\*\*) Term: **14 Years**

(21) Appl. No.: **29/350,190**

(22) Filed: **Nov. 12, 2009**

(51) **LOC (9) Cl.** ..... **24-02**

(52) **U.S. Cl.** ..... **D24/226; D24/224**

(58) **Field of Classification Search** ..... D24/232,  
D24/216, 224, 222, 217, 223, 226, 227, 229,  
D24/230-231; D7/531; D3/294-295; D10/80-81;  
73/863.32, 864, 864.14, 864.13, 864.17;  
422/63, 58-59, 68.1, 99-102, 104, 435  
See application file for complete search history.

(56) **References Cited**

**U.S. PATENT DOCUMENTS**

3,785,773	A *	1/1974	Rohrbaugh	422/102
4,200,613	A *	4/1980	Alfrey et al.	422/58
4,462,964	A *	7/1984	Guigan	422/102
D282,208	S *	1/1986	Lowry	D24/222
4,577,760	A *	3/1986	Rainin et al.	D24/222
4,675,299	A *	6/1987	Witty et al.	422/102
5,005,721	A *	4/1991	Jordan	422/102
D325,638	S *	4/1992	Sloat et al.	D24/226
D367,932	S *	3/1996	Lim	D24/224
D373,633	S *	9/1996	La Motte	D24/226
6,086,827	A *	7/2000	Horner et al.	422/102
D439,673	S *	3/2001	Brophy et al.	D24/226
D441,091	S *	4/2001	Day	D24/224
D445,907	S *	7/2001	Monks	D24/224
D453,573	S *	2/2002	Lafond et al.	D24/224

D471,988	S *	3/2003	Lueth et al.	D24/232
D475,795	S *	6/2003	Johnson et al.	D24/232
D508,999	S *	8/2005	Fanning et al.	D24/216
D612,276	S *	3/2010	Duffy et al.	D24/232
D612,948	S *	3/2010	Fleury et al.	D24/216
D624,194	S *	9/2010	Pack et al.	D24/224
2007/0172941	A1 *	7/2007	Porat et al.	435/287.2
2008/0187462	A1 *	8/2008	Saitoh et al.	422/68.1
2008/0233586	A1 *	9/2008	Turner	422/58
2009/0130745	A1 *	5/2009	Williams et al.	435/287.2
2009/0134069	A1 *	5/2009	Handique	209/11
2010/0120129	A1 *	5/2010	Amshey et al.	435/270
2010/0200405	A1 *	8/2010	Lenz	204/600

**OTHER PUBLICATIONS**

Google Image Result for <http://2.iming.com/data2/RO/UU/IMFCP-1670832/mb3984-06-758-all--250x250.jpg>. 1 page. Viewed on Jan. 6, 2011.\*

\* cited by examiner

*Primary Examiner* — Ian Simmons

*Assistant Examiner* — Wan Laymon

(74) *Attorney, Agent, or Firm* — Life Technologies Corporation; Priya D. Subramony

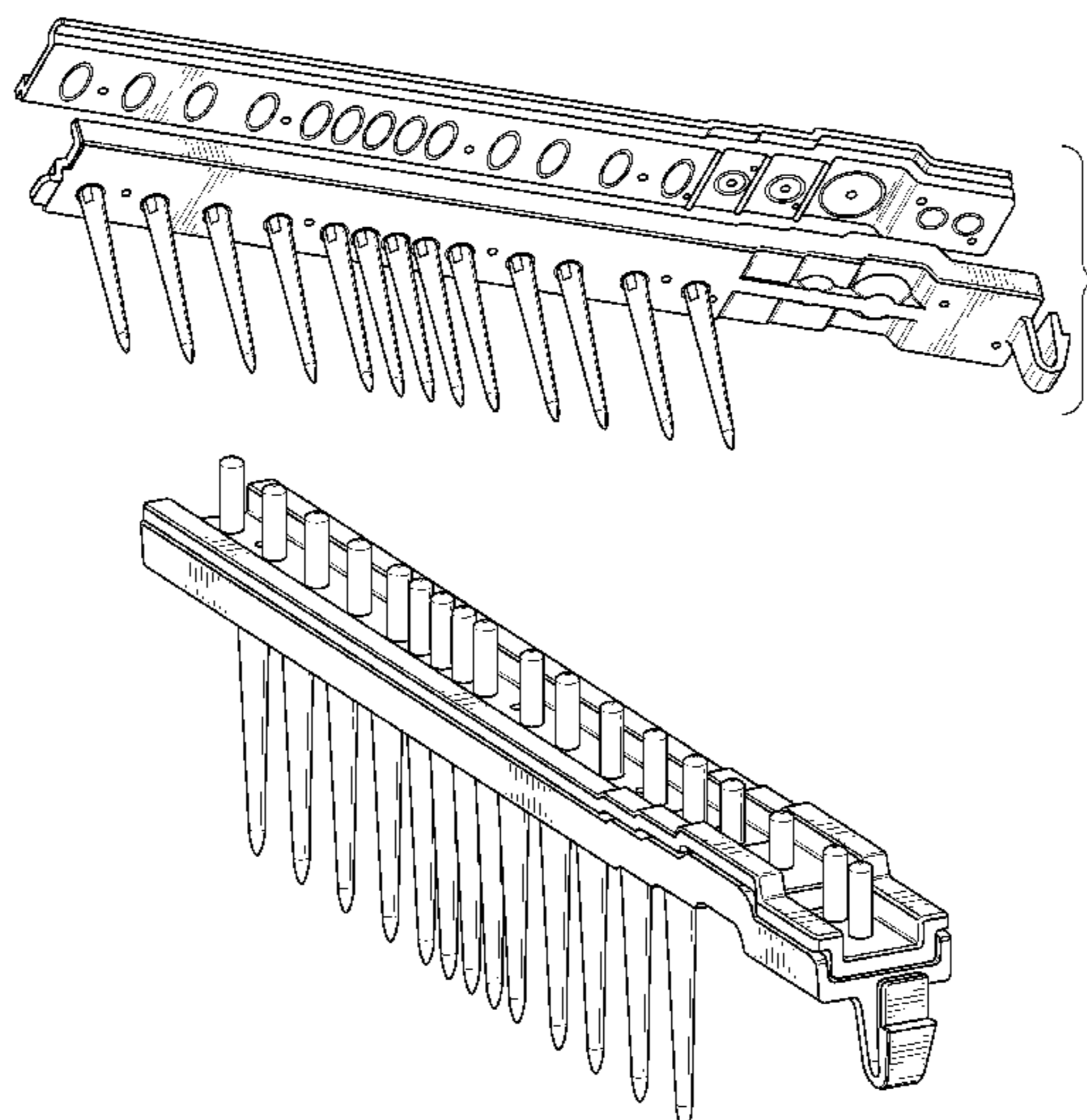
(57) **CLAIM**

The ornamental designs for laboratory apparatus, as shown and described.

**DESCRIPTION**

FIG. 1 is a bottom exploded perspective view of a laboratory apparatus showing our design;  
FIG. 2 is a top exploded perspective view thereof;  
FIG. 3 is a right side view thereof;  
FIG. 4 is a left side view thereof;  
FIG. 5 is a top view thereof; and,  
FIG. 6 is a front perspective view thereof.  
All embodiments of the first design are the same basic shape, but with different surface ornamentation.  
No color is claimed as part of the design, nor are any logos, and/or written matter claimed as part of the design.

**1 Claim, 4 Drawing Sheets**



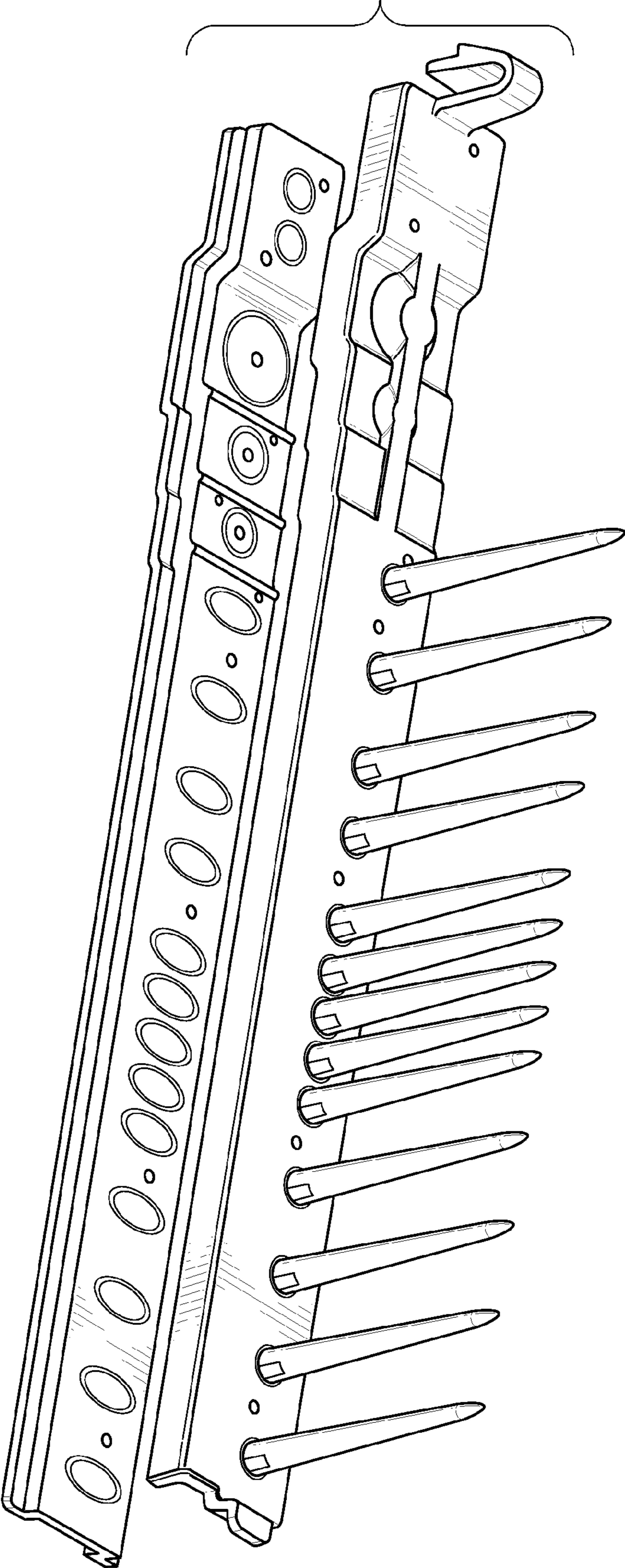


FIG. 1

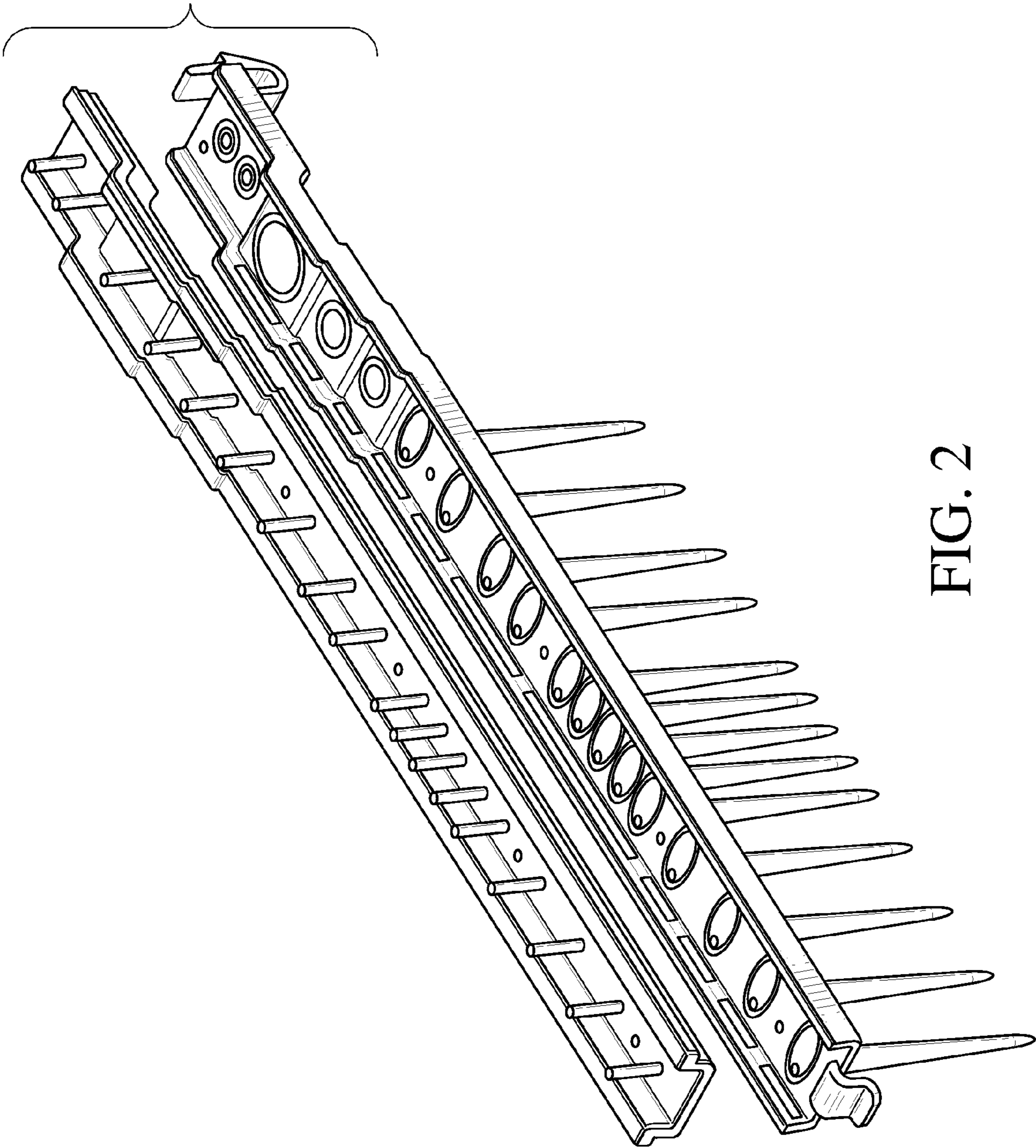


FIG. 2

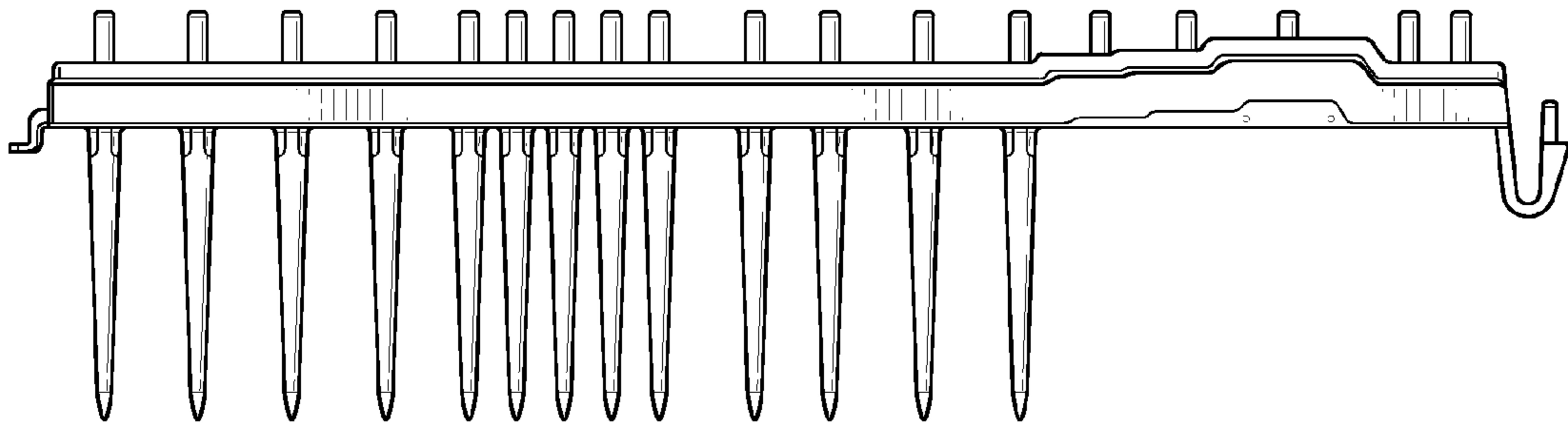


FIG. 3

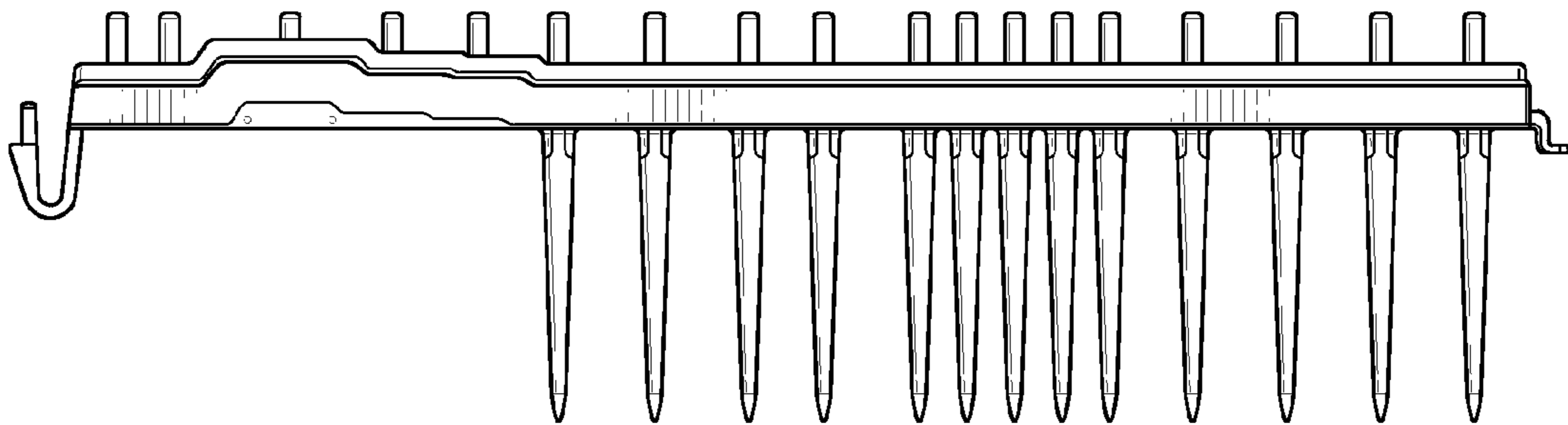


FIG. 4

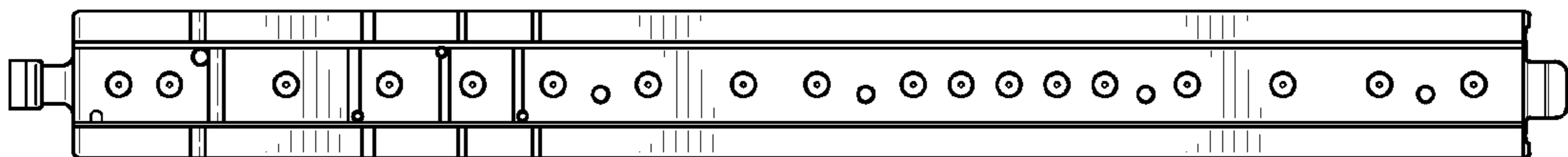


FIG. 5

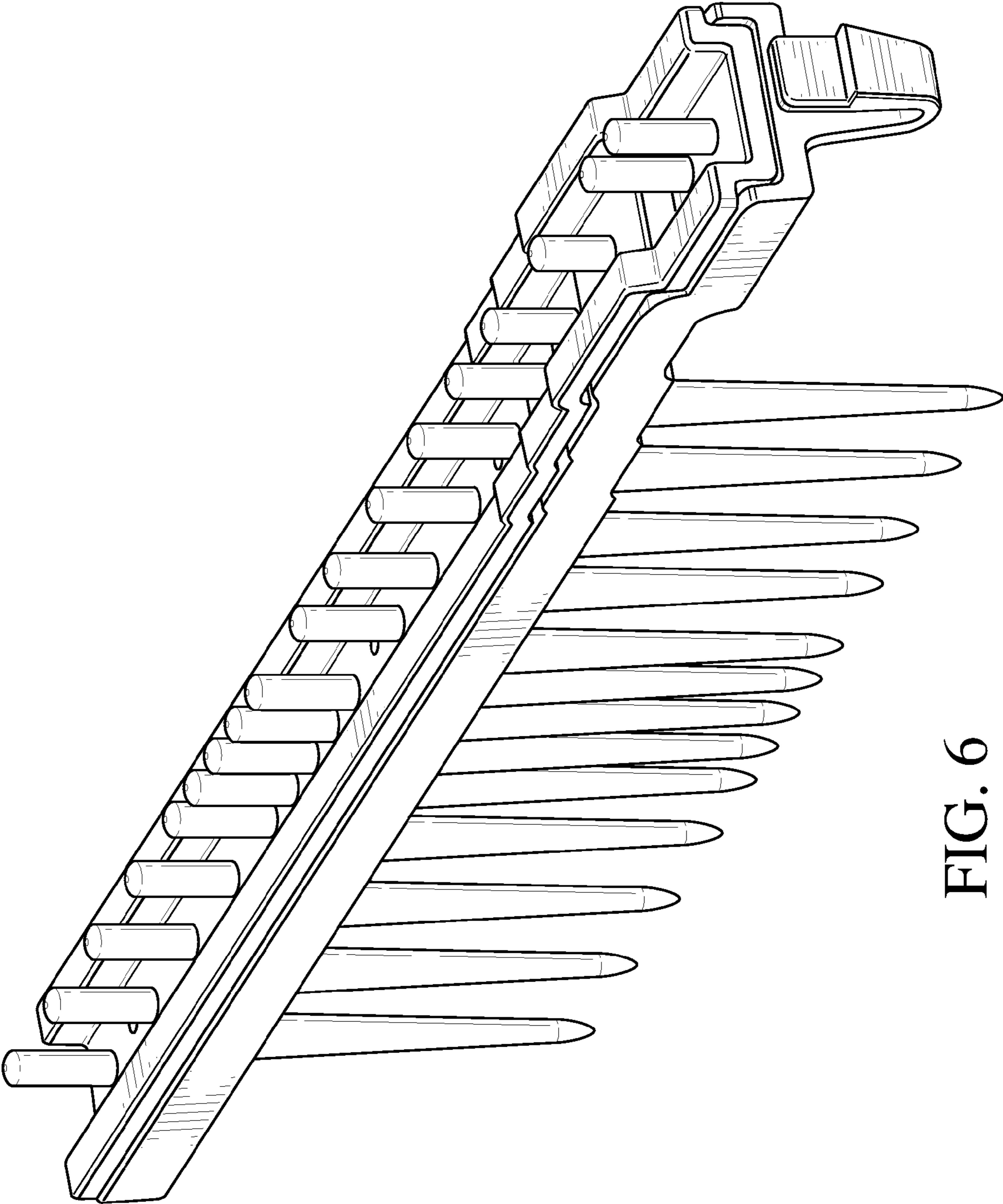


FIG. 6

UNITED STATES PATENT AND TRADEMARK OFFICE  
**CERTIFICATE OF CORRECTION**

PATENT NO. : D638,953 S  
APPLICATION NO. : 29/350190  
DATED : May 31, 2011  
INVENTOR(S) : Gil Cavada et al.

Page 1 of 2

It is certified that error appears in the above-identified patent and that said Letters Patent is hereby corrected as shown below:

On the Title Page

Please include the Foreign Application Data

--Priority of European Community Design No. 001136659-0001, May 12, 2009,  
European Community Design No. 001136659-0002, May 12, 2009,  
European Community Design No. 001136659-0003, May 12, 2009,  
European Community Design No. 001136659-0004, May 12, 2009,  
European Community Design No. 001136659-0005, May 12, 2009,  
European Community Design No. 001136659-0006, May 12, 2009,  
European Community Design No. 001136659-0007, May 12, 2009,  
European Community Design No. 001136659-0008, May 12, 2009, and  
European Community Design No. 001136659-0009, May 12, 2009--

Please include the Cross-Reference to Related Applications section before the listed Claim

--The priority of the application which issued as European Community Design no. 001136659-0001 (along with the registration), filed May 12, 2009, are hereby claimed. This application and registration are hereby incorporated herein by reference.

The priority of the application which issued as European Community Design no. 001136659-0002 (along with the registration), filed May 12, 2009, are hereby claimed. This application and registration are hereby incorporated herein by reference.

The priority of the application which issued as European Community Design no. 001136659-0003 (along with the registration), filed May 12, 2009, are hereby claimed. This application and registration are hereby incorporated herein by reference.

Signed and Sealed this  
Twenty-seventh Day of March, 2012



David J. Kappos  
*Director of the United States Patent and Trademark Office*

The priority of the application which issued as European Community Design no. 001136659-0004 (along with the registration), filed May 12, 2009, are hereby claimed. This application and registration are hereby incorporated herein by reference.

The priority of the application which issued as European Community Design no. 001136659-0005 (along with the registration), filed May 12, 2009, are hereby claimed. This application and registration are hereby incorporated herein by reference.

The priority of the application which issued as European Community Design no. 001136659-0006 (along with the registration), filed May 12, 2009, are hereby claimed. This application and registration are hereby incorporated herein by reference.

The priority of the application which issued as European Community Design no. 001136659-0007 (along with the registration), filed May 12, 2009, are hereby claimed. This application and registration are hereby incorporated herein by reference.

The priority of the application which issued as European Community Design no. 001136659-0008 (along with the registration), filed May 12, 2009, are hereby claimed. This application and registration are hereby incorporated herein by reference.

The priority of the application which issued as European Community Design no. 001136659-0009 (along with the registration), filed May 12, 2009, are hereby claimed. This application and registration are hereby incorporated herein by reference.

The above referenced application or applications were filed under the treaty putting into effect the European Community Design. The implementing international treaty is believed to be the Geneva Act of the Hague Agreement Concerning the International Registration of Industrial Designs. This is implemented at a European Community level by the Council Regulation (EC) No 6/2002 (Community Design Regulations).

The above referenced application or applications has the effect of, or is equivalent to, a regular national filing in at least the following countries: France, Germany, and/or Spain.

The above referenced application or applications were filed in the Office For Harmonization In the Internal Market (Trademarks and Designs) with the following address: Avenida de Europa, 4·E -03080 Alicante·Spain (Tel: +34 96 513 13 44).--