



US00D638946S

(12) **United States Design Patent**  
**Egorov et al.**

(10) **Patent No.:** **US D638,946 S**  
(45) **Date of Patent:** **\*\* May 31, 2011**

(54) **PROSTATE MECHANICAL IMAGING PROBE**

(75) Inventors: **Vladimir Egorov**, Princeton, NJ (US);  
**Armen P. Sarvazyan**, Lambertville, NJ (US)

(73) Assignee: **Artann Laboratories**, West Trenton, NJ (US)

(\*\*) Term: **14 Years**

(21) Appl. No.: **29/364,997**

(22) Filed: **Jul. 1, 2010**

(51) **LOC (9) Cl.** ..... **24-01**

(52) **U.S. Cl.** ..... **D24/187**

(58) **Field of Classification Search** ..... D24/107,  
D24/138, 144, 141, 158, 164, 165, 167, 170,  
D24/186-187, 200, 184; D10/57, 60, 78,  
D10/80; 600/407, 461, 459, 447, 439, 446;  
378/98.7, 98.8, 189

See application file for complete search history.

(56) **References Cited**

U.S. PATENT DOCUMENTS

D300,175 S *	3/1989	Bar-Yam	.....	D24/138
4,841,979 A *	6/1989	Dow et al.	.....	600/446
D304,760 S	11/1989	Curtis		
D320,078 S	9/1991	Terwilliger		
D369,307 S *	4/1996	Imling et al.	.....	D10/78
D393,311 S *	4/1998	Kirsner	.....	D24/141
D396,287 S	7/1998	Morales		

D536,450 S *	2/2007	Ryan	.....	D24/144
D591,424 S *	4/2009	Costa	.....	D24/184
D616,990 S *	6/2010	Suzuki	.....	D24/186
D616,992 S *	6/2010	Kitayama	.....	D24/186
D622,401 S *	8/2010	Suzuki	.....	D24/187
D623,755 S *	9/2010	Ikegame	.....	D24/186

\* cited by examiner

*Primary Examiner* — T. Chase Nelson

*Assistant Examiner* — Mark Cavanna

(74) *Attorney, Agent, or Firm* — Boris Leschinsky

(57) **CLAIM**

The ornamental design for the prostate mechanical imaging probe, as shown and described.

**DESCRIPTION**

This invention was made with government support under SBIR grant R44CA082620 awarded by National Cancer Institute, National Institutes of Health. The government has certain rights in the invention.

FIG. 1 is a perspective view of a prostate mechanical imaging probe;

FIG. 2 is a side view thereof, the opposite side being a mirror image;

FIG. 3 is a top view thereof;

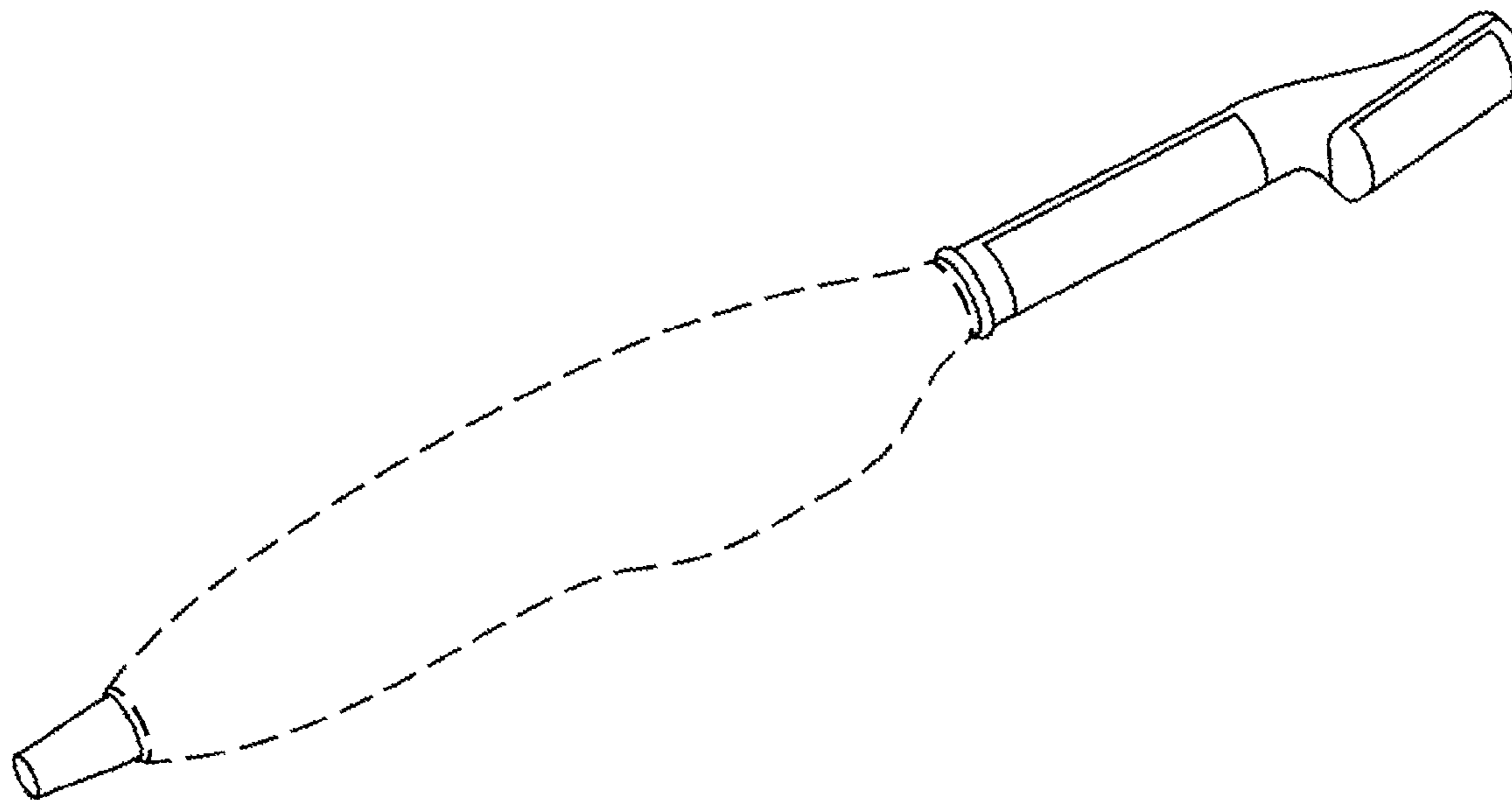
FIG. 4 is a bottom view thereof;

FIG. 5 is a front view thereof; and,

FIG. 6 is a rear view thereof.

The broken lines are included for the purpose of illustrating portions of the prostate mechanical imaging probe that form no part of the claimed design.

**1 Claim, 2 Drawing Sheets**



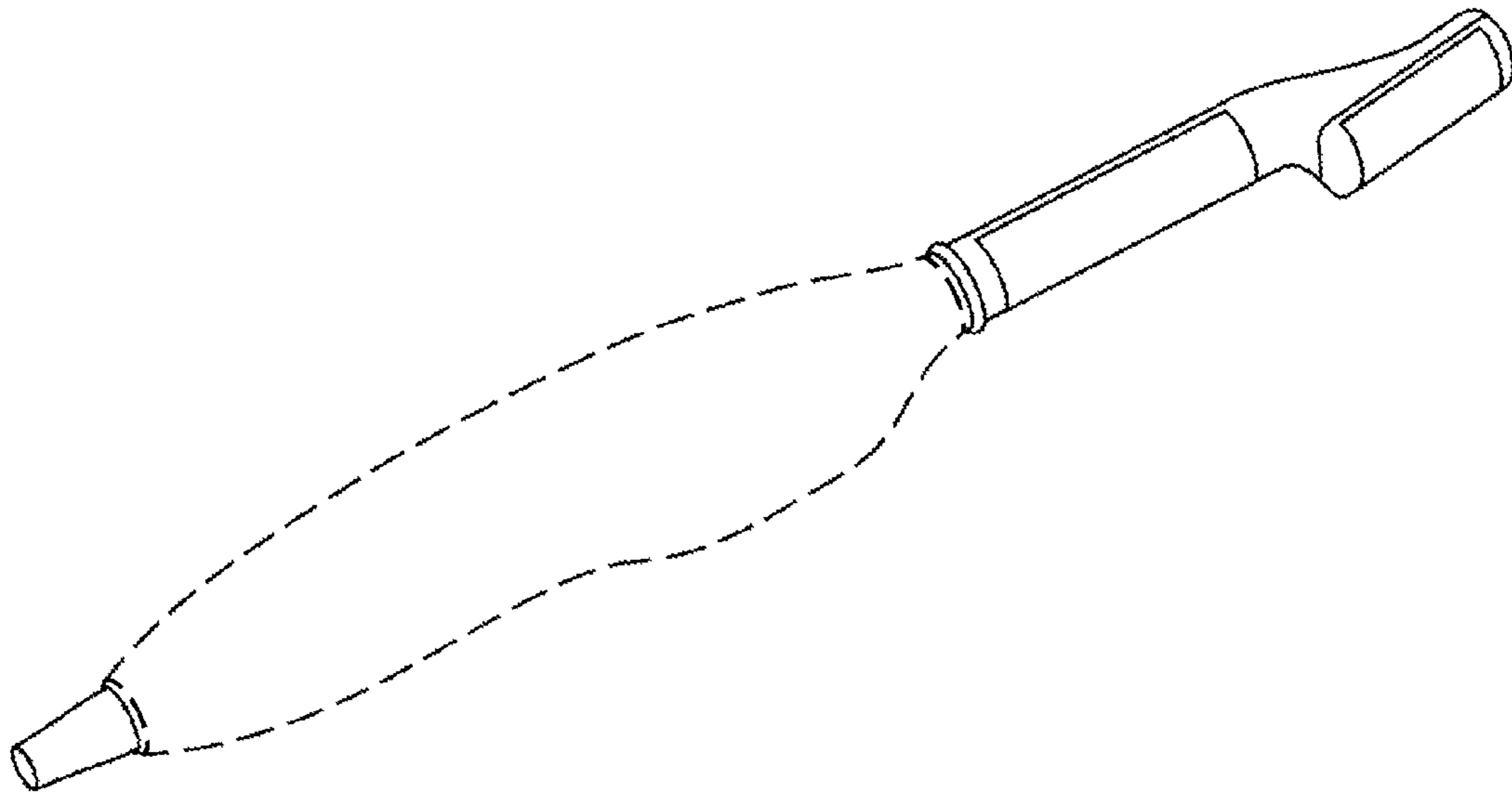


FIG.1

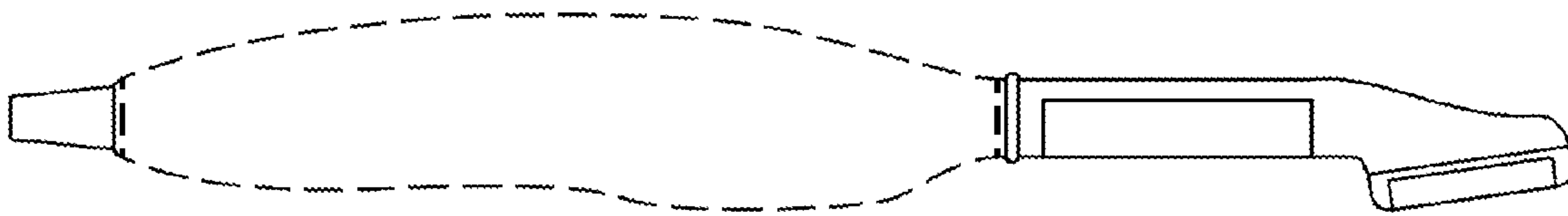


FIG.2

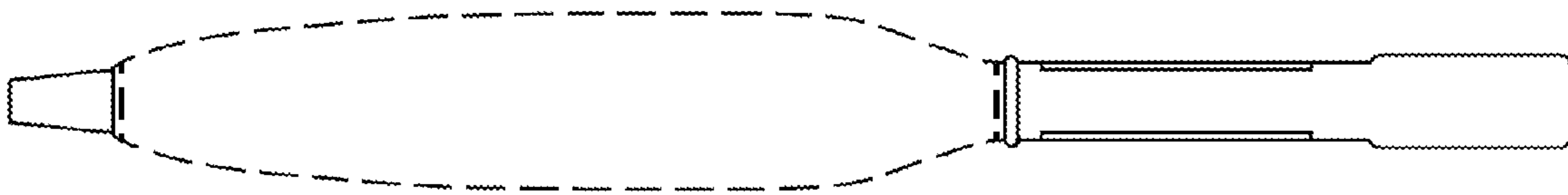


FIG.3

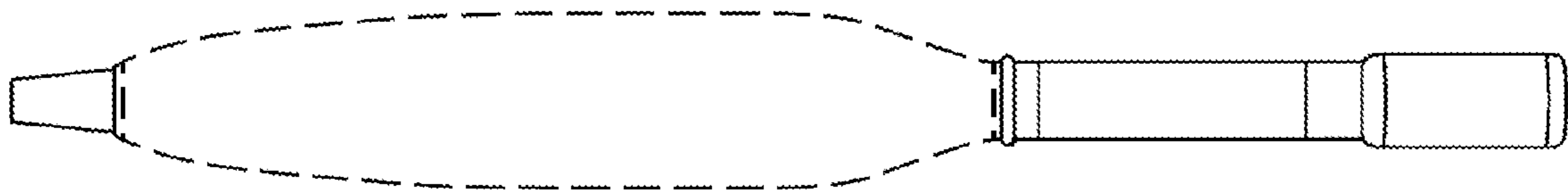


FIG. 4

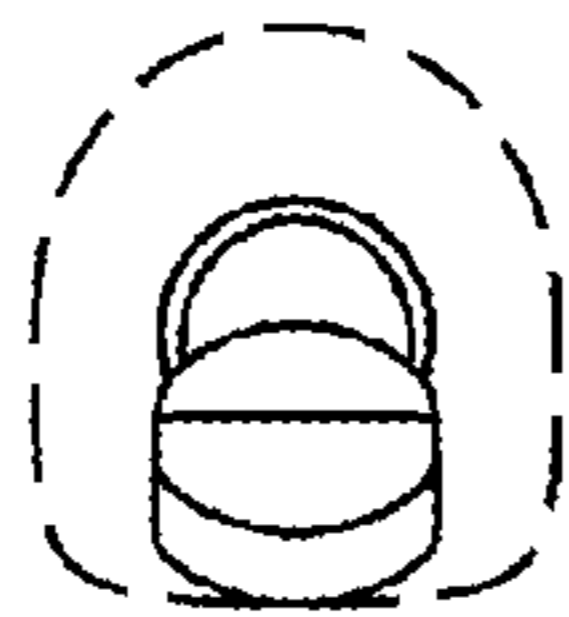


FIG. 5

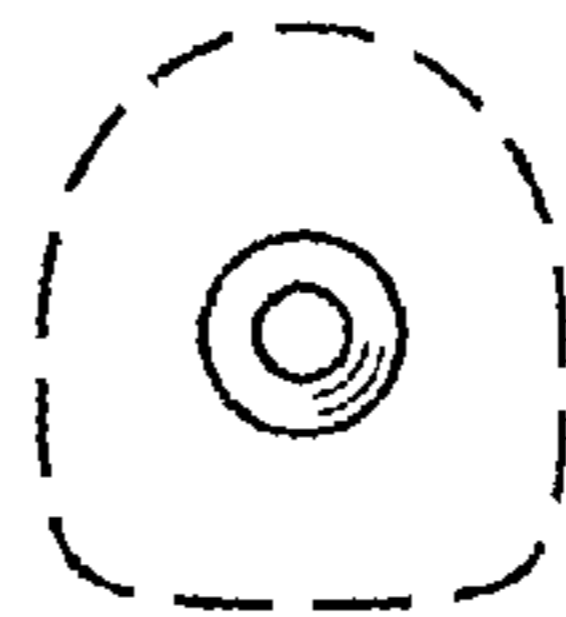


FIG. 6