



US00D638945S

(12) **United States Design Patent**  
**Velasquez et al.**

(10) **Patent No.:** **US D638,945 S**

(45) **Date of Patent:** **\*\* May 31, 2011**

- (54) **COLLAPSIBLE MASSAGE TABLE**
- (76) Inventors: **George P. Velasquez**, Sante Fe, NM (US); **Ralph E. Manzanares**, Santa Fe, NM (US)
- (\*\*) Term: **14 Years**
- (21) Appl. No.: **29/372,070**
- (22) Filed: **Oct. 12, 2010**
- (51) **LOC (9) Cl.** ..... **24-01**
- (52) **U.S. Cl.** ..... **D24/183**
- (58) **Field of Classification Search** ..... D24/183, D24/200, 171; 108/36, 115, 130, 132; 5/110, 5/114, 600, 607, 610-614, 618, 620-622, 5/632; 601/24, 98, 134, 146; 606/240-242; D6/367, 382, 480, 482, 502, 429; 482/142  
See application file for complete search history.

6,431,086	B1 *	8/2002	Lloyd	.....	108/130
6,705,234	B1 *	3/2004	Miller et al.	.....	108/36
6,857,145	B1 *	2/2005	Sikes	.....	5/114
6,934,988	B1 *	8/2005	Wetzler et al.	.....	5/621
D533,667	S *	12/2006	Roleder	.....	D24/183
7,636,967	B1 *	12/2009	Stokes	.....	5/620
7,694,370	B1 *	4/2010	Lee	.....	5/632

\* cited by examiner

*Primary Examiner* — T. Chase Nelson

*Assistant Examiner* — Mark Cavanna

(74) *Attorney, Agent, or Firm* — Richard L. Mikesell

(57) **CLAIM**

The ornamental design for a collapsible massage table, as shown and described.

**DESCRIPTION**

- FIG. 1: Top right perspective view;
- FIG. 2: Right side elevation;
- FIG. 3: Top plan view;
- FIG. 4: Left side elevation;
- FIG. 5: Bottom plan view;
- FIG. 6: Front elevation;
- FIG. 7: Rear elevation; and,
- FIG. 8: Top left perspective view, collapsed.

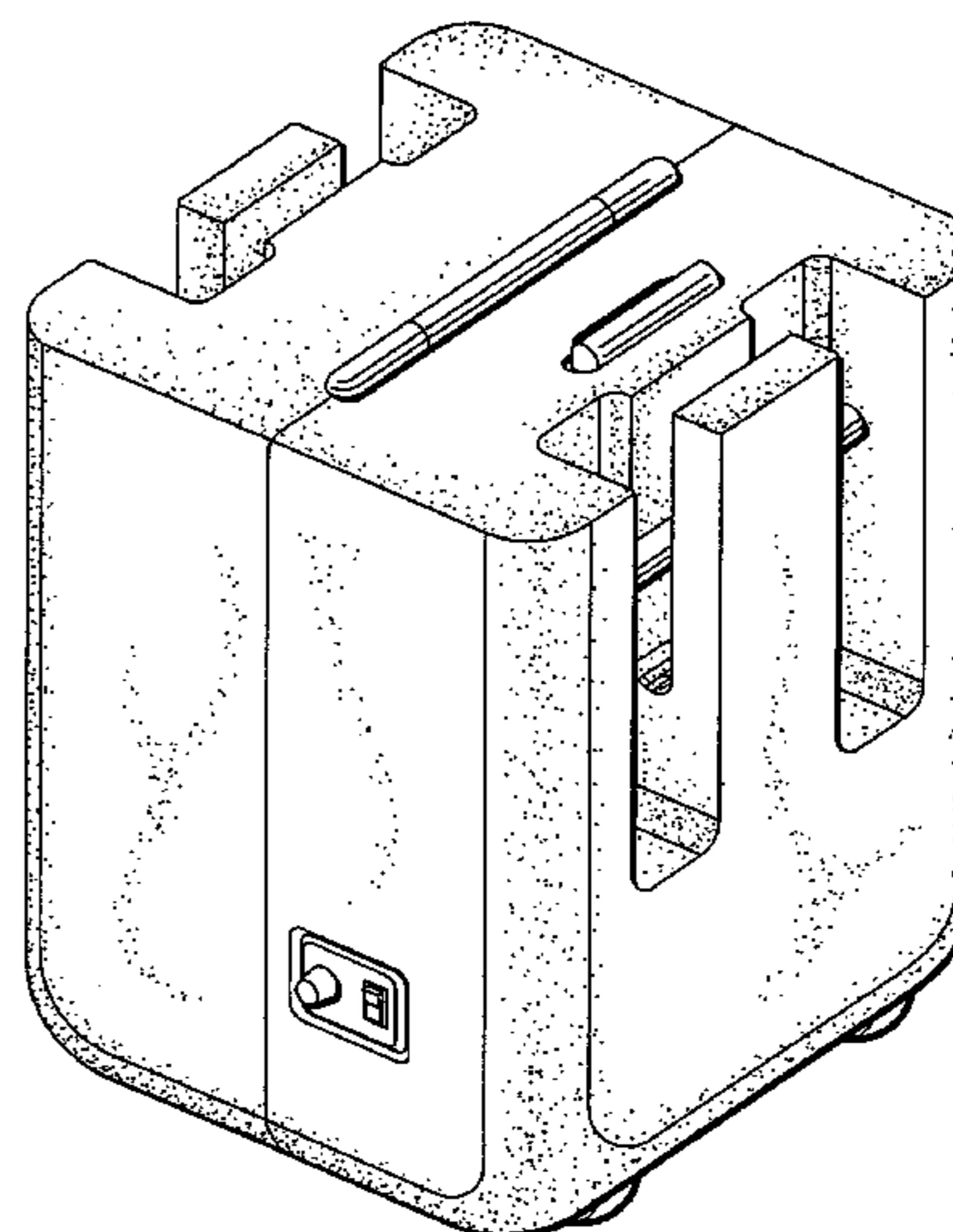
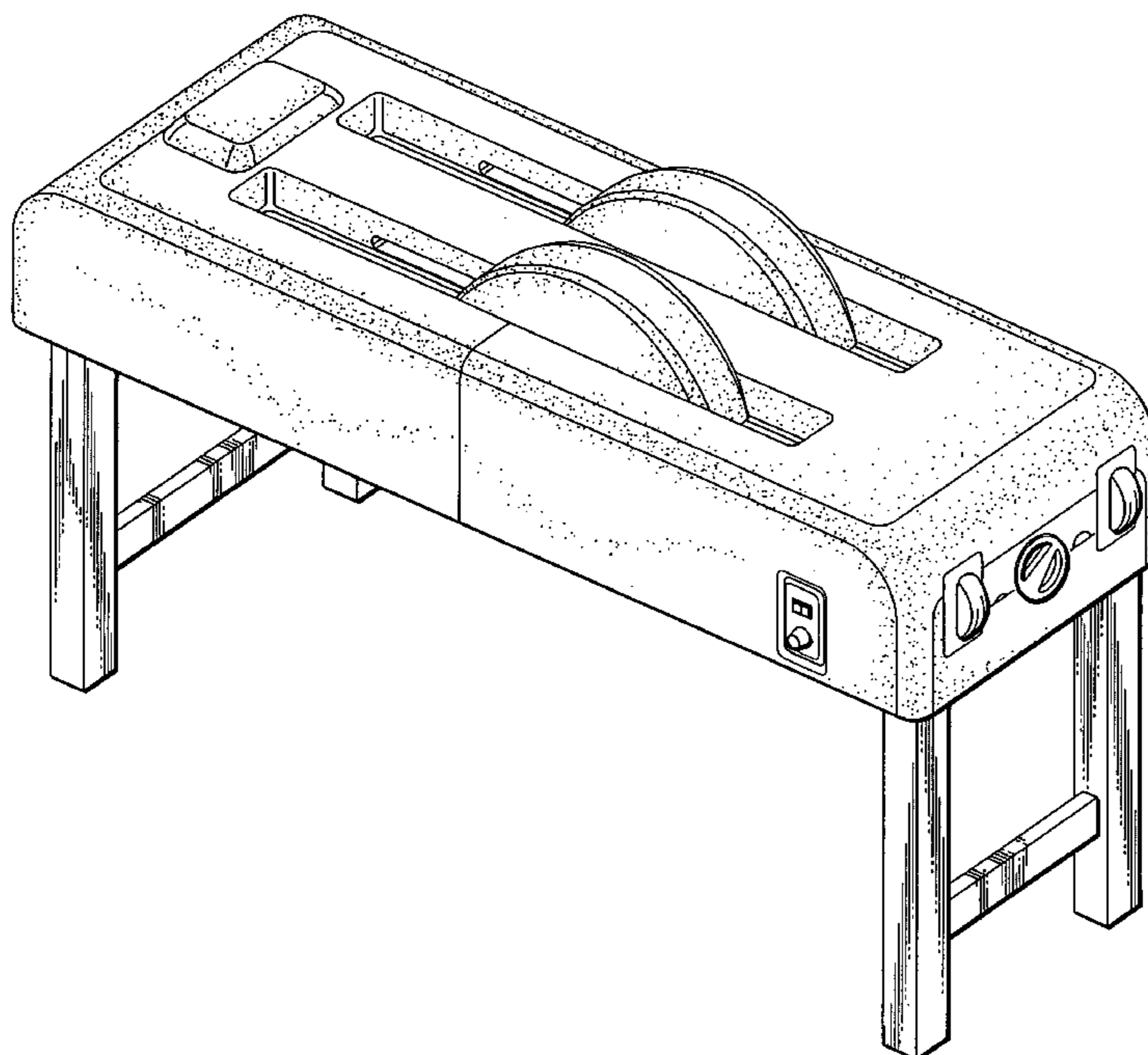
The broken lines are included for the purpose of illustrating portions of the collapsible massage table that form no part of the claimed design.

**1 Claim, 5 Drawing Sheets**

(56) **References Cited**

**U.S. PATENT DOCUMENTS**

4,333,638	A *	6/1982	Gillotti	.....	5/613
D295,349	S *	4/1988	Mueller	.....	D6/429
5,009,170	A *	4/1991	Spehar	.....	108/36
D364,464	S *	11/1995	Gigante et al.	.....	D24/183
5,524,555	A *	6/1996	Fanuzzi	.....	108/132
D403,772	S *	1/1999	Fanuzzi	.....	D24/183
6,000,345	A *	12/1999	Gillotti	.....	108/36
6,295,668	B1 *	10/2001	Nation	.....	5/110



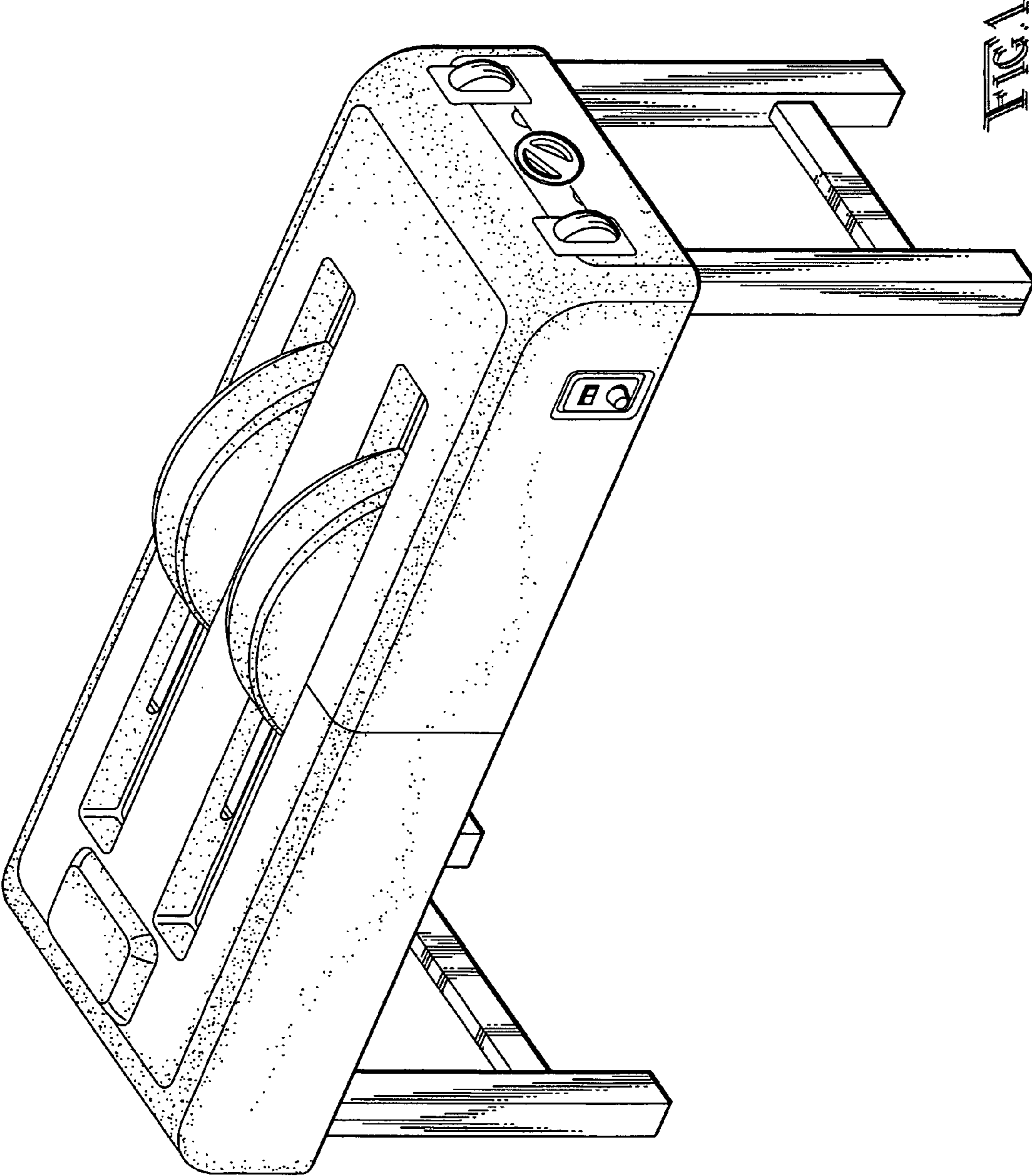
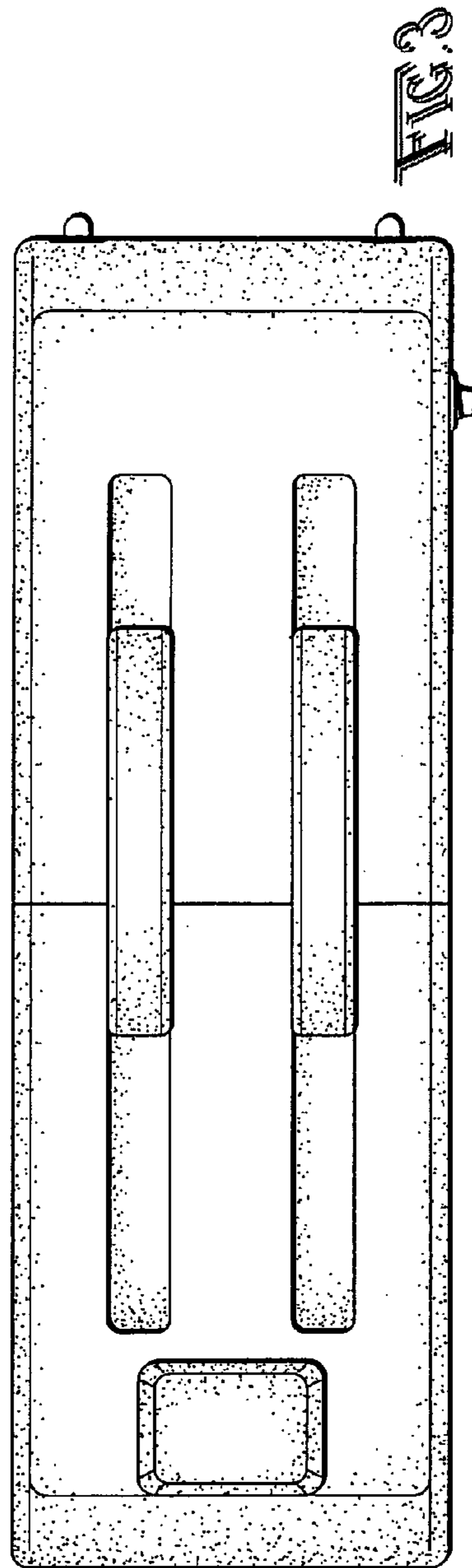
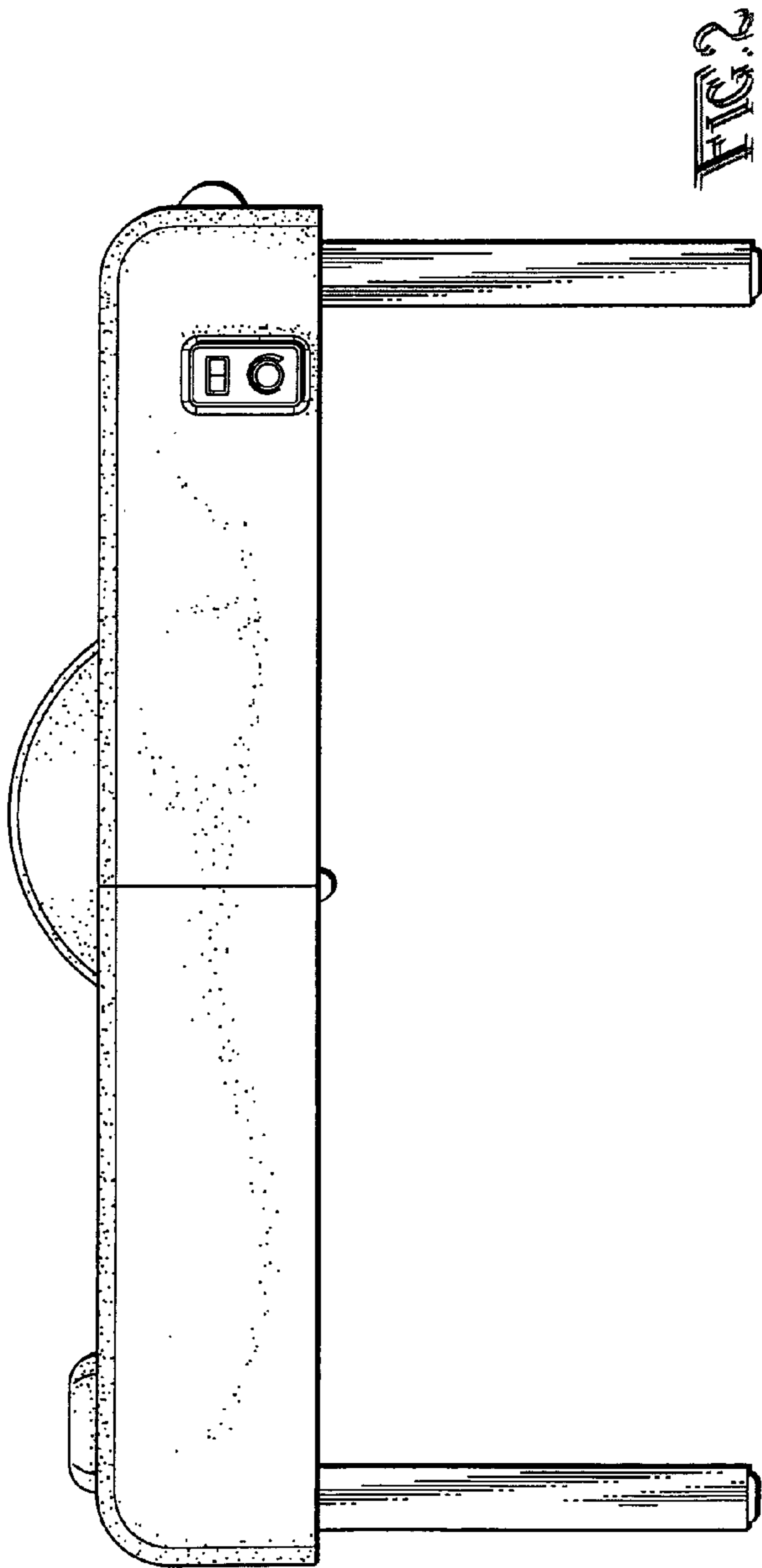
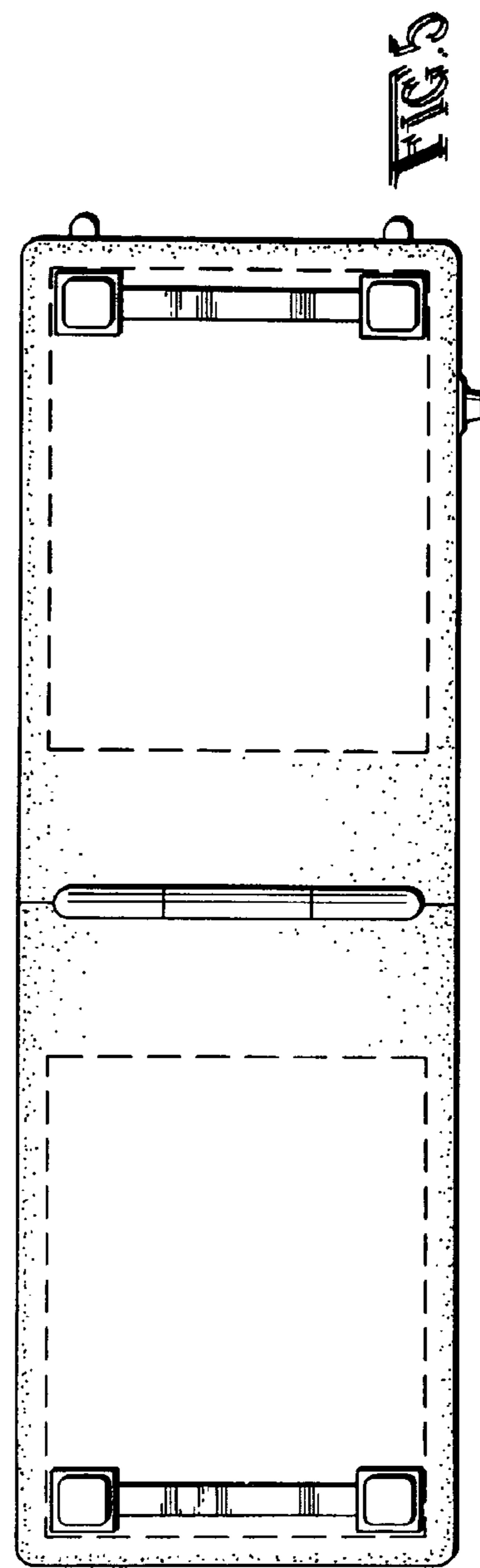
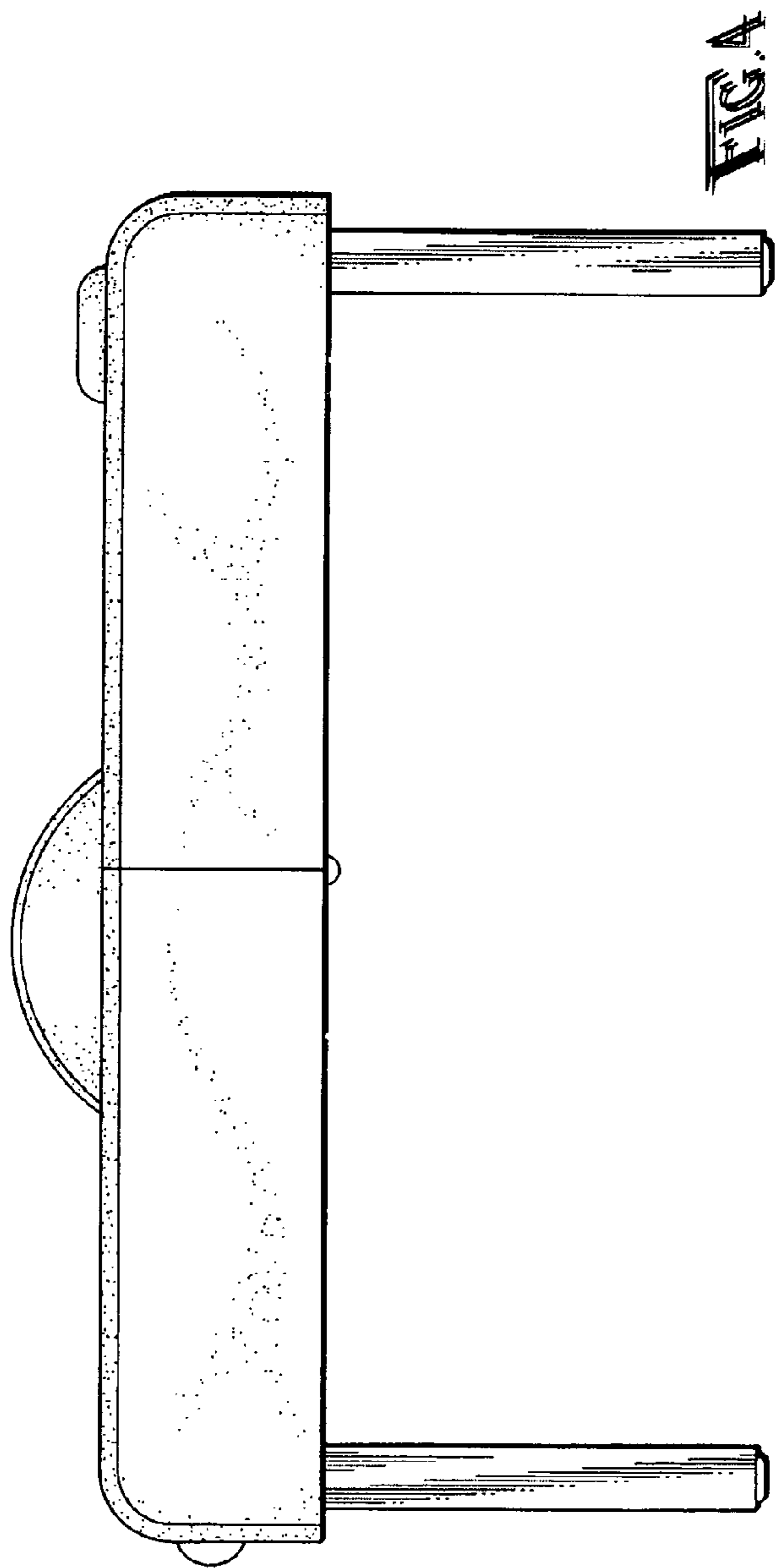


FIG. 1







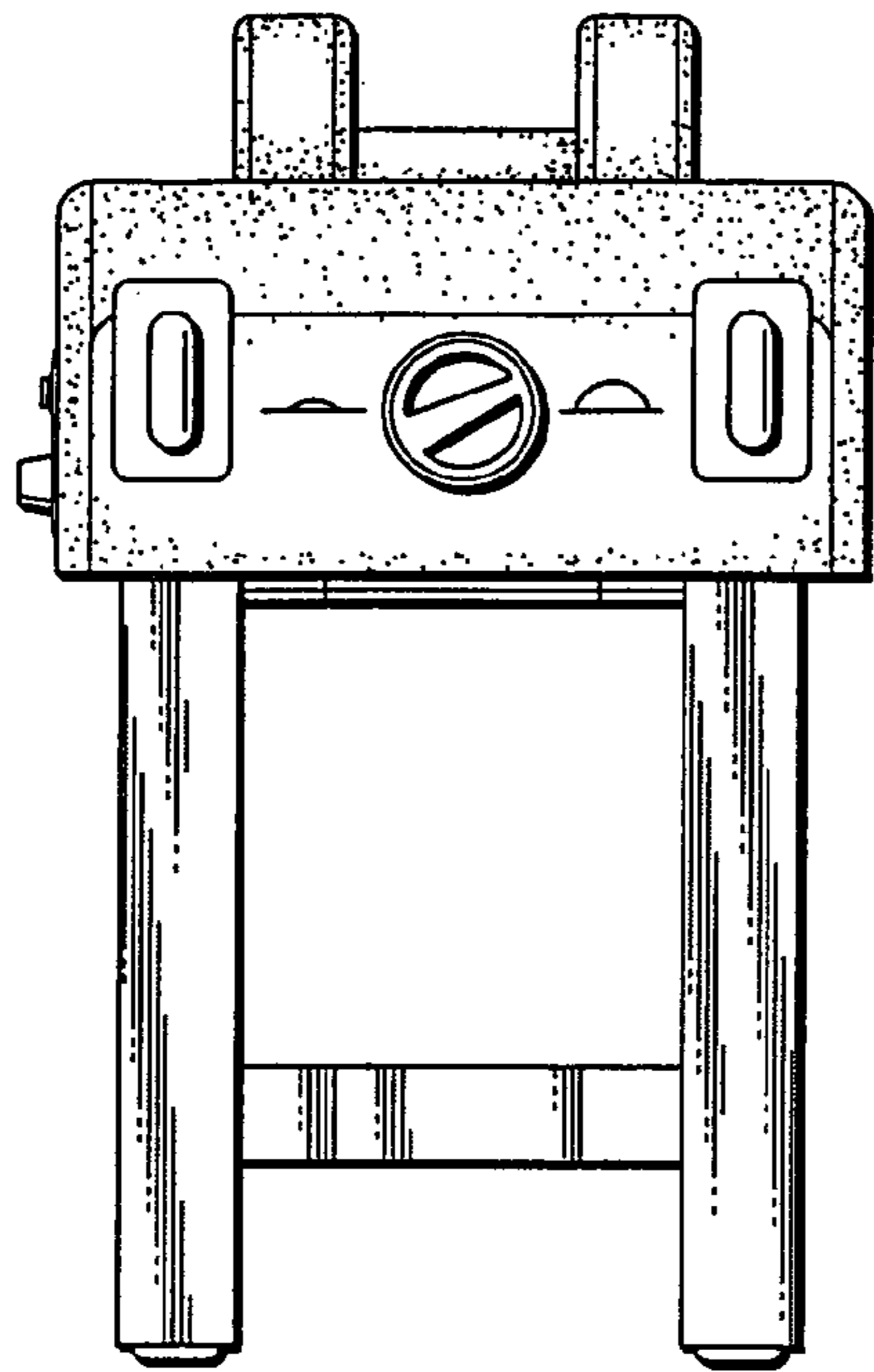


FIG. 6

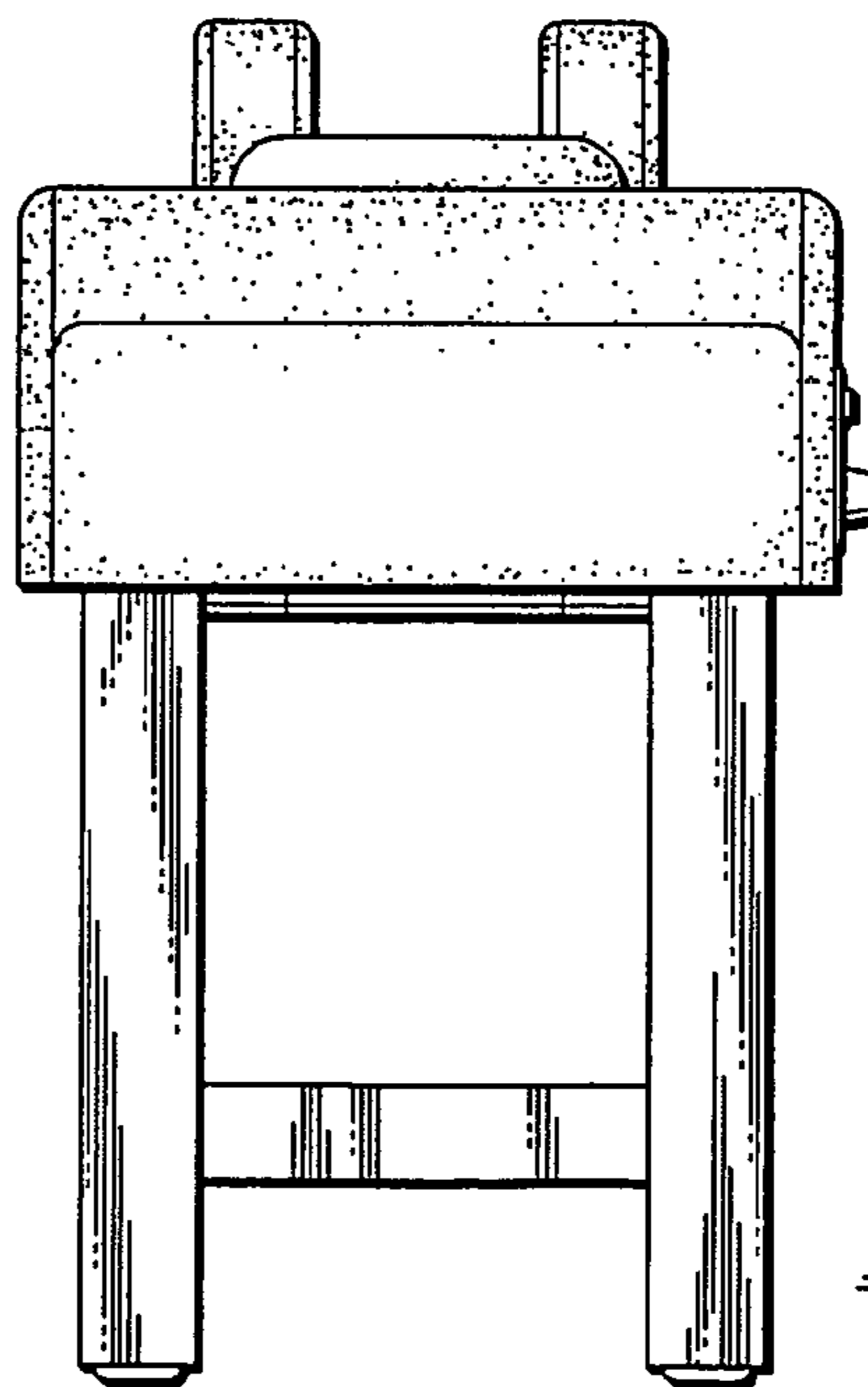


FIG. 7

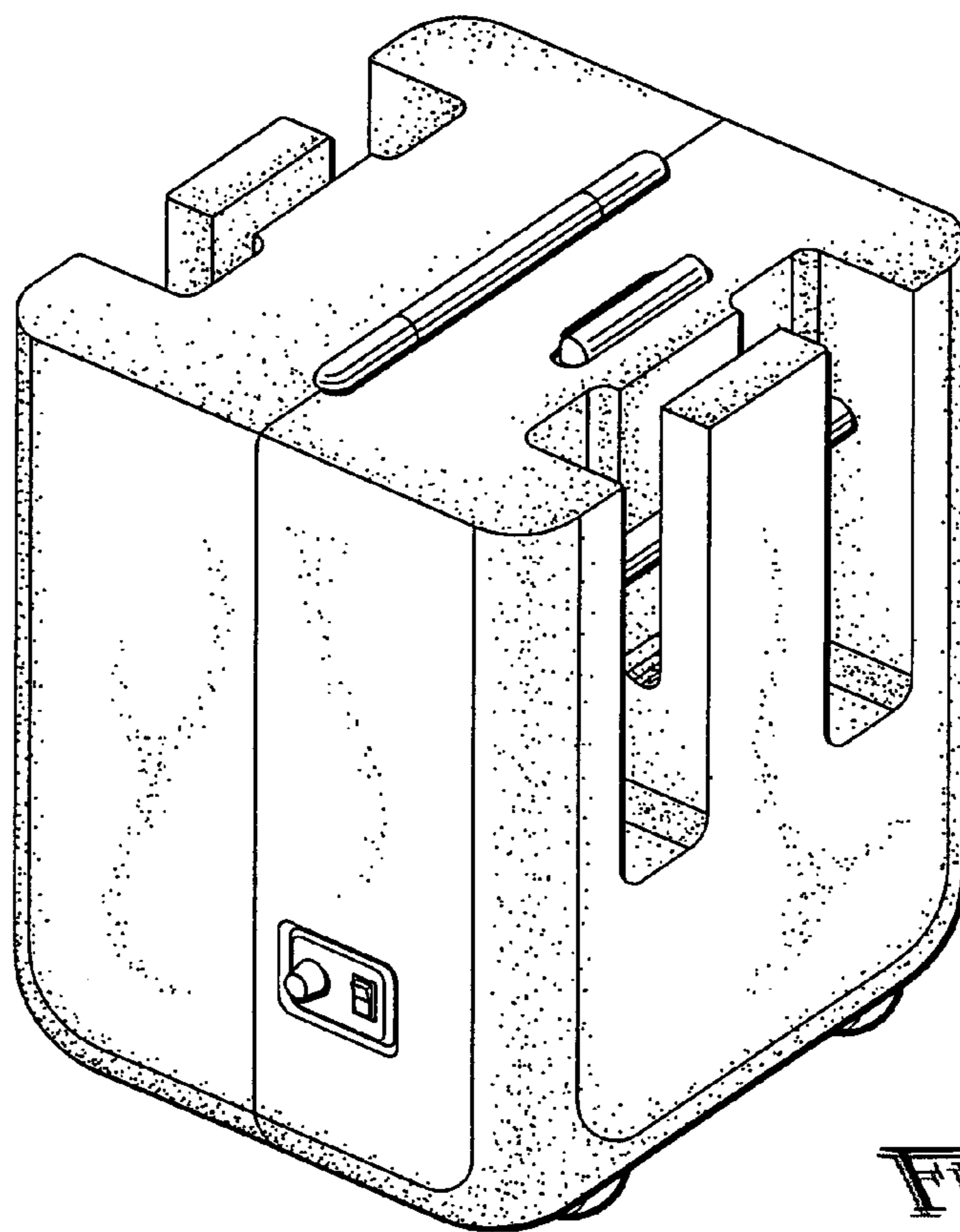


FIG. 8