



US00D638944S

(12) **United States Design Patent**
Smith et al.

(10) **Patent No.:** **US D638,944 S**

(45) **Date of Patent:** **** May 31, 2011**

(54) **DENTAL ILLUMINATION DEVICE**

(75) Inventors: **Wade Smith**, Pleasant Grove, UT (US);
Neil T. Jessop, Sandy, UT (US); **Dee Jessop**, West Jordan, UT (US); **Jared Sheetz**, Eagle Mountain, UT (US)

(73) Assignee: **Ultradent Products, Inc.**, South Jordan, UT (US)

(**) Term: **14 Years**

(21) Appl. No.: **29/344,027**

(22) Filed: **Sep. 22, 2009**

(51) **LOC (9) Cl.** **24-02**

(52) **U.S. Cl.** **D24/176**

(58) **Field of Classification Search** D24/133,
D24/152, 156, 176-178, 182; 362/119, 572-573,
362/804; 433/25, 29, 98-99, 114, 118, 126,
433/141, 146

See application file for complete search history.

(56) **References Cited**

U.S. PATENT DOCUMENTS

3,666,180	A	5/1972	Coombs et al.	
4,281,366	A	7/1981	Wurster et al.	
D269,122	S *	5/1983	Seeley	D24/152
4,402,524	A	9/1983	D'Antonio et al.	
4,450,139	A	5/1984	Bussiere	
4,666,405	A	5/1987	Ericson	
5,046,810	A	9/1991	Steiner et al.	
5,267,129	A	11/1993	Anderson	
5,346,489	A	9/1994	Levy et al.	
D354,566	S	1/1995	Donahoo	
5,485,317	A	1/1996	Perissinotto et al.	
5,593,509	A	1/1997	Zuppero	
5,634,711	A	6/1997	Kennedy et al.	
5,711,665	A	1/1998	Adam et al.	
5,749,724	A	5/1998	Cheng	
5,768,458	A	6/1998	Ro et al.	
5,784,508	A	7/1998	Turner	

5,791,898	A	8/1998	Maissami	
5,800,172	A *	9/1998	Goldenberg	433/29
5,880,839	A	3/1999	Ishizuka et al.	
5,897,314	A	4/1999	Hack et al.	

(Continued)

FOREIGN PATENT DOCUMENTS

CA 2266845 10/1999

(Continued)

OTHER PUBLICATIONS

"Elipar FreeLight Curing Light," 3M ESPE, cms.3m.com (Jan. 23, 2002).

(Continued)

Primary Examiner — Ian Simmons

Assistant Examiner — Wan Laymon

(74) *Attorney, Agent, or Firm* — Workman Nydegger

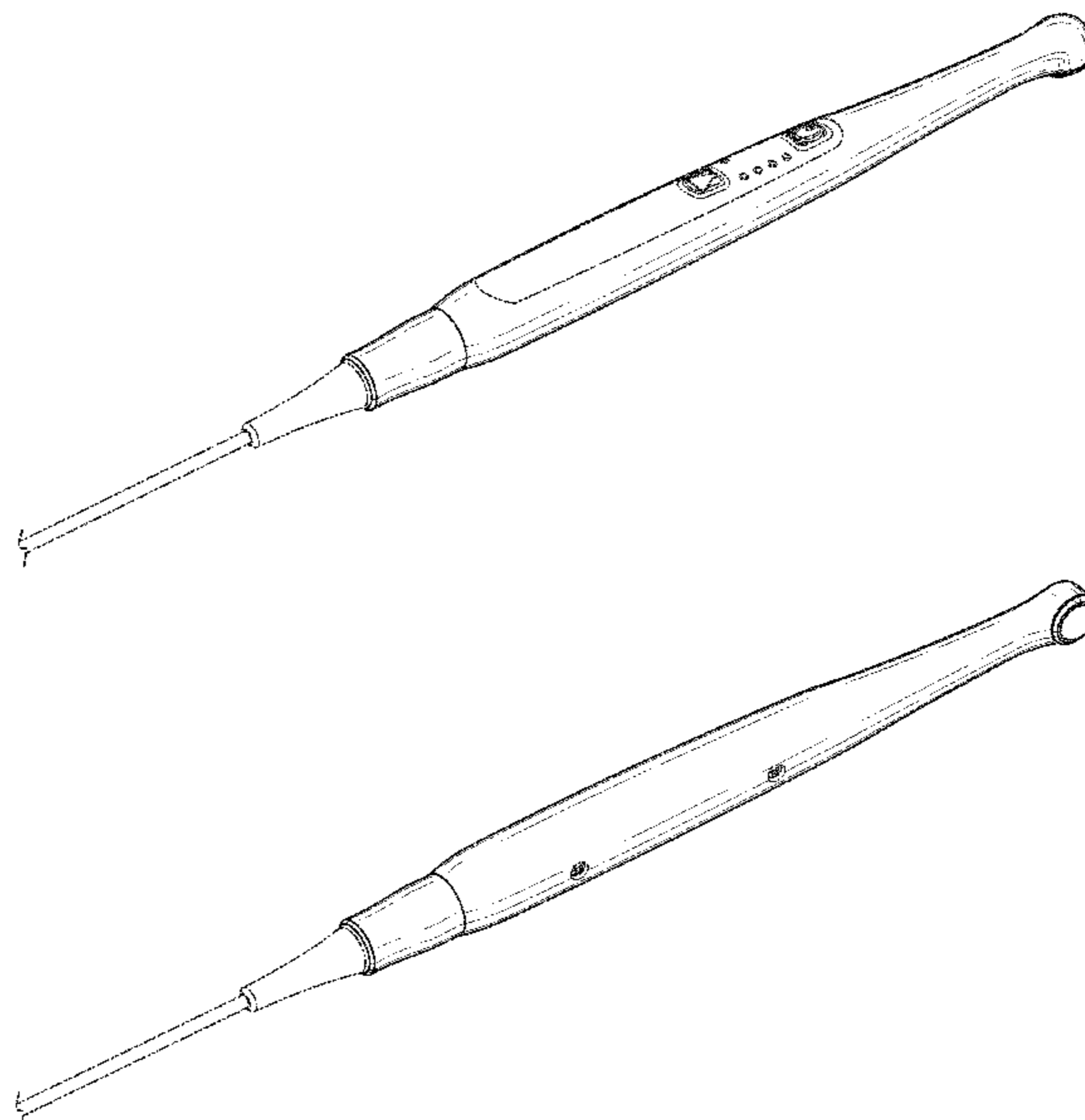
(57) **CLAIM**

The ornamental design for a dental illumination device, as shown and described.

DESCRIPTION

FIG. 1 is a top perspective view of a dental illumination device according to the present invention; FIG. 2 is a bottom perspective view of the dental illumination device; FIG. 3 is a top view of the dental illumination device; FIG. 4 is a side view of the dental illumination device; FIG. 5 is a bottom view of the dental illumination device; and, FIG. 6 is a front view of the dental illumination device. The dash-dot-dot line and the even dot line immediately adjacent to the shaded areas represent the bounds of the claimed design while all other dash-dot-dot lines are directed to environment and are for illustrative purposes only; none of the broken lines form part of the claimed design.

1 Claim, 3 Drawing Sheets



U.S. PATENT DOCUMENTS

5,928,505	A	7/1999	Inakagata	
5,971,755	A	10/1999	Liebermann et al.	
6,099,520	A	8/2000	Shimoji	
6,102,696	A	8/2000	Osterwalder et al.	
6,159,005	A	12/2000	Herold et al.	
6,200,134	B1	3/2001	Kovac et al.	
6,208,788	B1	3/2001	Nosov	
6,266,576	B1	7/2001	Okada et al.	
6,325,623	B1	12/2001	Melnyk et al.	
6,361,192	B1	3/2002	Fussel et al.	
6,379,347	B1	4/2002	Maki et al.	
6,402,511	B1	6/2002	Calderwood	
6,419,483	B1	7/2002	Adam et al.	
6,482,004	B1	11/2002	Senn et al.	
6,511,201	B1	1/2003	Elrod	
6,511,317	B2	1/2003	Melikechi et al.	
6,514,075	B1	2/2003	Jacob	
6,522,086	B2	2/2003	Germunder	
6,561,802	B2	5/2003	Alexander	
6,562,029	B2	5/2003	Maki et al.	
6,579,286	B1	6/2003	Maki et al.	
6,607,384	B1	8/2003	Nakanishi	
6,607,526	B1	8/2003	Maki	
6,619,957	B1	9/2003	Mosch	
6,620,154	B1	9/2003	Amirkhanian et al.	
6,692,251	B1	2/2004	Logan et al.	
6,702,576	B2	3/2004	Fischer et al.	
6,719,558	B2 *	4/2004	Cao 433/29	
6,719,559	B2	4/2004	Cao	
6,821,119	B2	11/2004	Short et al.	
6,878,145	B2	4/2005	Brugger et al.	
6,910,886	B2	6/2005	Cao	
6,918,762	B2	7/2005	Gill	
6,957,907	B2	10/2005	Fischer et al.	
6,971,875	B2	12/2005	Cao	
6,979,193	B2	12/2005	Cao	
6,991,356	B2	1/2006	Tsimerman et al.	
6,994,546	B2 *	2/2006	Fischer et al. 433/29	
7,056,116	B2 *	6/2006	Scott et al. 433/29	
D530,013	S *	10/2006	Fischer et al. D24/176	
7,182,597	B2	2/2007	Gill et al.	
7,210,814	B2	5/2007	Scott et al.	
7,210,930	B2	5/2007	Kovac et al.	
7,273,369	B2	9/2007	Rosenblood et al.	
2001/0046652	A1	11/2001	Ostler et al.	
2001/0055451	A1	12/2001	Kuhara et al.	
2002/0028419	A1	3/2002	Slone	
2002/0085372	A1	7/2002	Lehrer	
2002/0102513	A1	8/2002	Plank	
2002/0168603	A1	11/2002	Cao	
2002/0187454	A1	12/2002	Melikechi et al.	
2002/0187455	A1	12/2002	Melikechi et al.	
2002/0197582	A1	12/2002	Cao	
2003/0036031	A1	2/2003	Lieb et al.	
2003/0081430	A1	5/2003	Becker	
2003/0087201	A1	5/2003	Wu	
2003/0133203	A1	7/2003	McLean et al.	
2003/0142413	A1	7/2003	McLean et al.	
2003/0147254	A1	8/2003	Yoneda et al.	
2003/0147258	A1	8/2003	Fischer et al.	
2003/0148242	A1	8/2003	Fischer et al.	
2003/0152885	A1	8/2003	Dinh	
2003/0162143	A1	8/2003	Fischer et al.	
2003/0170586	A1	9/2003	Cozean et al.	
2003/0186195	A1	10/2003	Comfort et al.	
2003/0215766	A1	11/2003	Fischer et al.	
2003/0218880	A1	11/2003	Brukilacchio	
2003/0219693	A1	11/2003	Cao	
2003/0235800	A1	12/2003	Qadar	

2004/0029069	A1	2/2004	Gill
2004/0033033	A1	2/2004	Hoshino et al.
2004/0043351	A1	3/2004	Logan et al.
2004/0090794	A1	5/2004	Ollett et al.
2004/0120162	A1	6/2004	Tsimerman et al.
2004/0181154	A1	9/2004	Peterson
2004/0185413	A1	9/2004	Gill
2004/0214138	A1	10/2004	Senn
2004/0241521	A1	12/2004	Finkelshtain
2005/0136373	A1	6/2005	Fischer
2005/0158687	A1	7/2005	Dahm
2006/0024638	A1	2/2006	Rosenblood et al.
2006/0040231	A1	2/2006	Quan
2006/0044823	A1	3/2006	Wong et al.
2006/0188835	A1	8/2006	Nagel et al.
2006/0245187	A1	11/2006	Scott et al.
2007/0020578	A1	1/2007	Scott et al.
2007/0037113	A1	2/2007	Scott et al.
2007/0053184	A1	3/2007	Brukilacchio
2007/0231769	A1	10/2007	Kovac et al.

FOREIGN PATENT DOCUMENTS

GB	0325736.9	11/2003
JP	11267140	10/1999

OTHER PUBLICATIONS

Wiggins, et al., "Curing Performances of a New-Generation Light-Emitting Diode Dental Curing Unit," Journal of the American Dental Association, vol. 135, No. 10, pp. 1471-1479 (2004).
 Notice of Allowance dated May 19, 2005 cited in U.S. Appl. No. 10/044,346.
 Notice of Allowance dated Nov. 5, 2004 cited in U.S. Appl. No. 10/044,346.
 Office Action dated Feb. 10, 2004 cited in U.S. Appl. No. 10/044,346.
 Office Action dated Mar. 27, 2003 cited in U.S. Appl. No. 10/044,346.
 Office Action dated Jan. 29, 2009 cited in U.S. Appl. No. 10/423,275.
 Office Action dated Aug. 29, 2008 cited in U.S. Appl. No. 10/423,275.
 Office Action dated May 8, 2008 cited in U.S. Appl. No. 10/423,275.
 Office Action dated Jan. 8, 2008 cited in U.S. Appl. No. 10/423,275.
 Office Action dated Aug. 15, 2007 cited in U.S. Appl. No. 10/423,275.
 Office Action dated Mar. 20, 2007 cited in U.S. Appl. No. 10/423,275.
 Office Action dated Oct. 4, 2006 cited in U.S. Appl. No. 10/423,275.
 Office Action dated Mar. 15, 2006 cited in U.S. Appl. No. 10/423,275.
 Office Action dated Nov. 22, 2005 cited in U.S. Appl. No. 10/423,275.
 Office Action dated Jun. 23, 2005 cited in U.S. Appl. No. 10/423,275.
 Notice of Allowance dated Mar. 2, 2006 cited in U.S. Appl. No. 29/176,136.
 Notice of Allowance dated Oct. 10, 2003 cited in U.S. Appl. No. 29/176,136.
 Notice of Allowance dated Nov. 23, 2006 cited in U.S. Appl. No. 10/813,306.
 Office Action dated Aug. 24, 2005 cited in U.S. Appl. No. 10/813,306.
 Office Action dated Jul. 18, 2008 cited in U.S. Appl. No. 11/294,159.
 Office Action dated Feb. 22, 2008 cited in U.S. Appl. No. 11/294,159.
 Office Action dated Aug. 10, 2007 cited in U.S. Appl. No. 11/294,159.
 Office Action dated Apr. 4, 2008 cited in U.S. Appl. No. 11/184,433.
 Office Action dated Sep. 25, 2007 cited in U.S. Appl. No. 11/184,433.

* cited by examiner

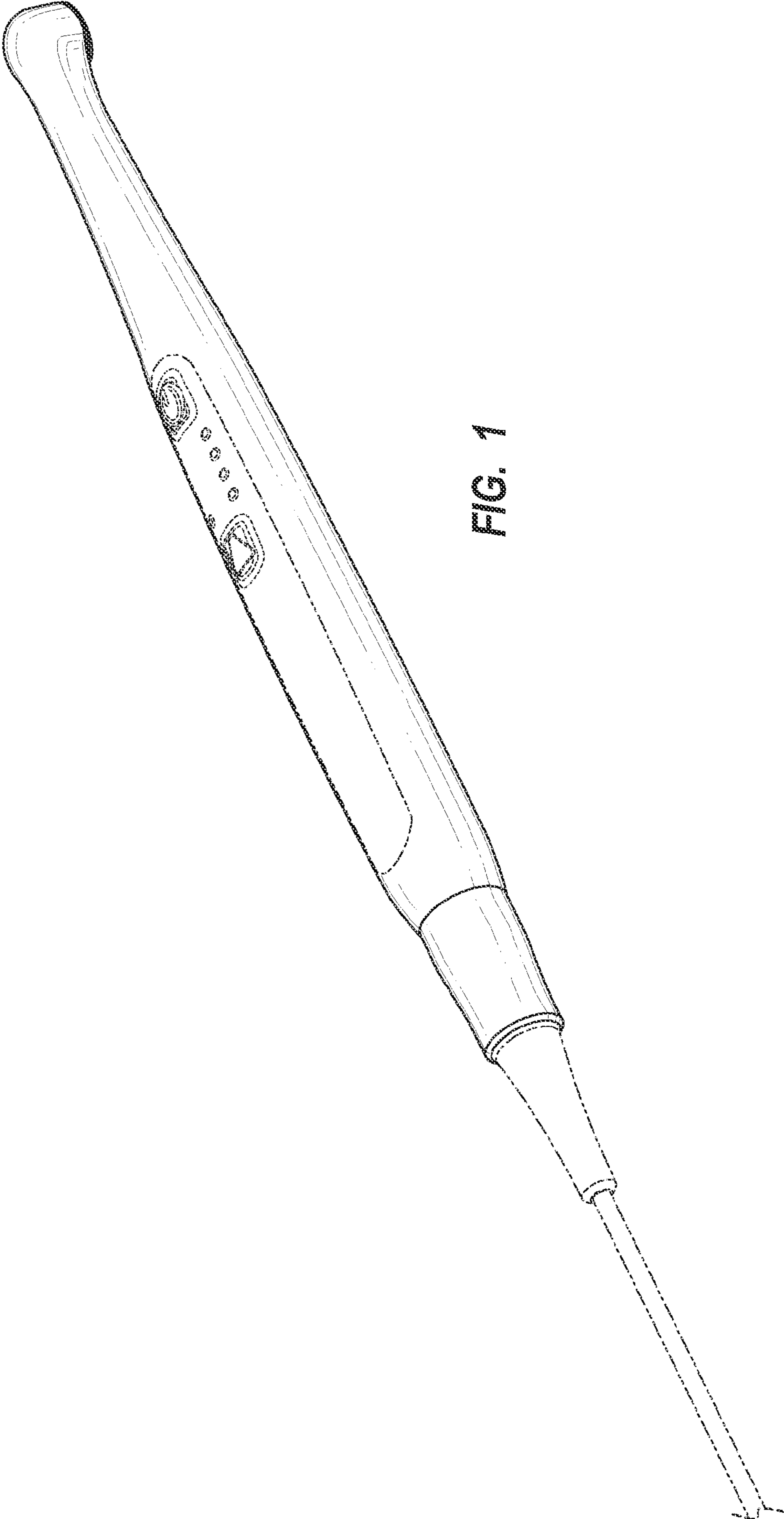


FIG. 1

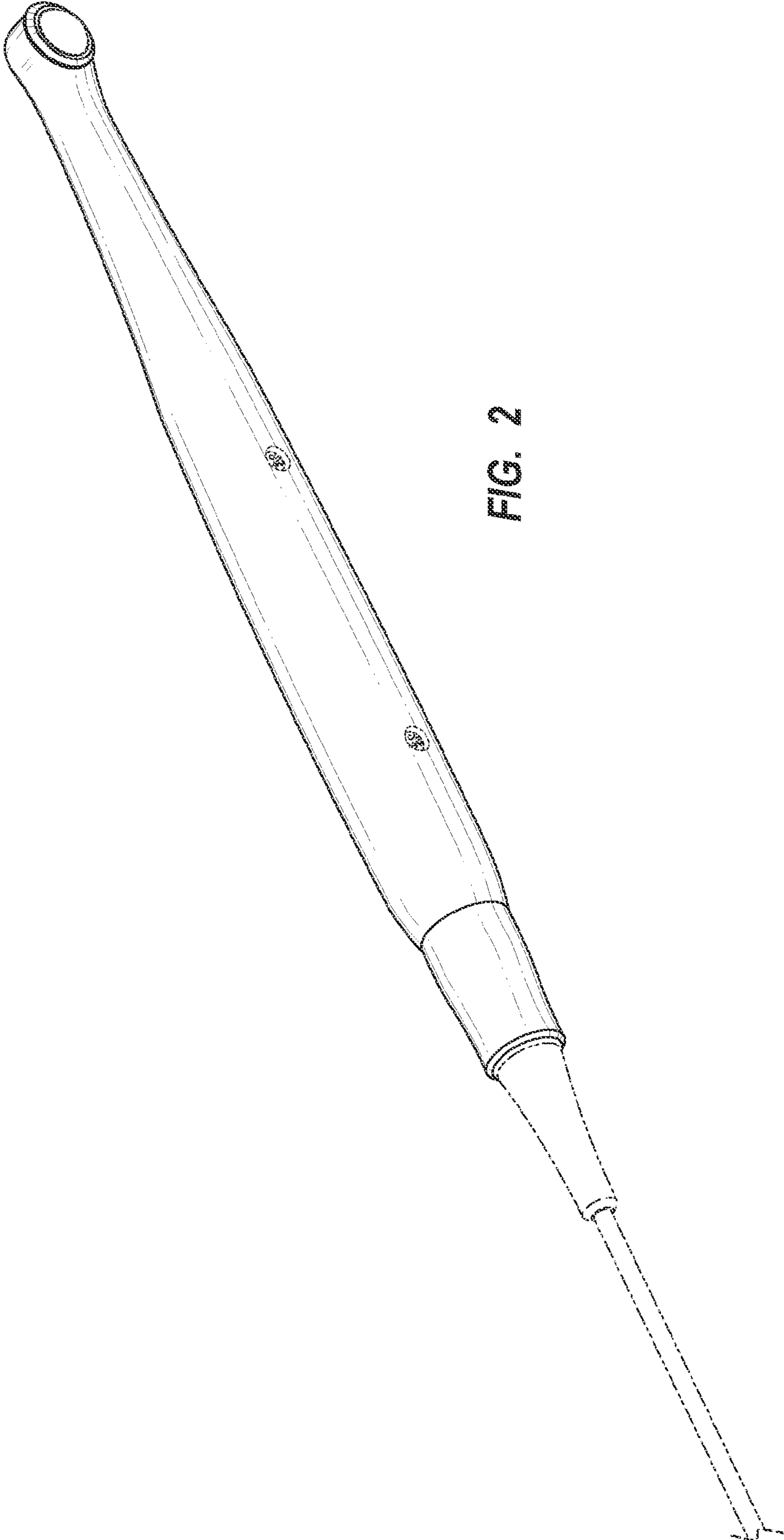


FIG. 2

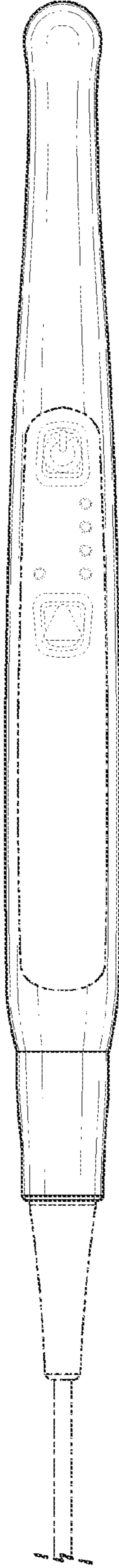


FIG. 3

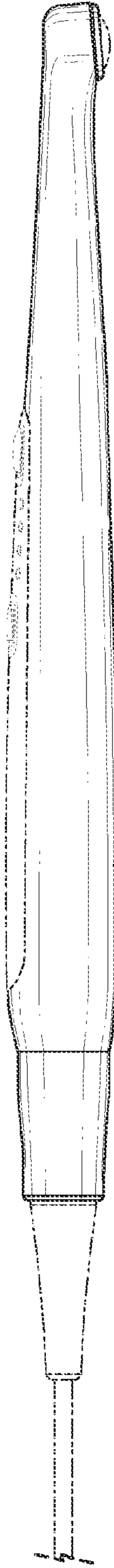


FIG. 4

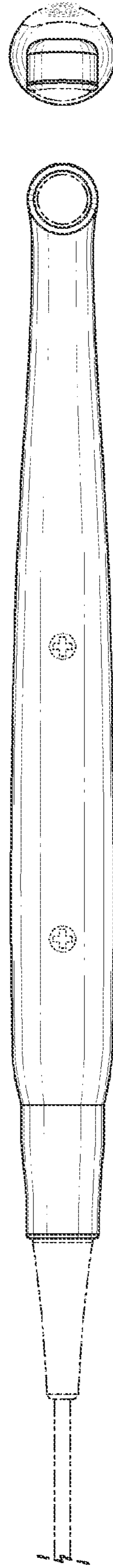


FIG. 5

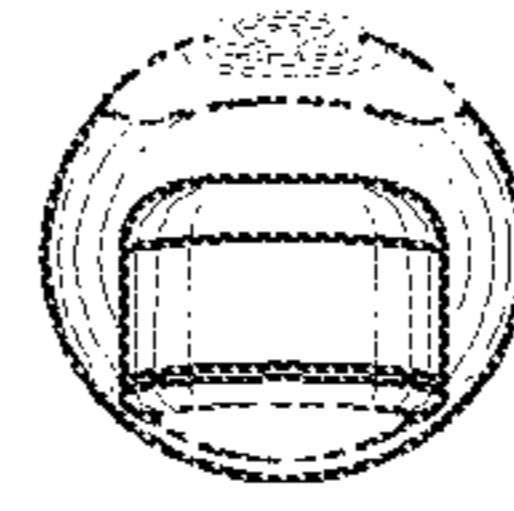


FIG. 6