



US00D638943S

(12) **United States Design Patent**
Daniel

(10) **Patent No.:** **US D638,943 S**
(45) **Date of Patent:** **** May 31, 2011**

(54) **EYE TRACKING DEVICE**
(75) Inventor: **Isaac Sayo Daniel**, Miramar, FL (US)
(73) Assignee: **Lead Technology Capital Management, LLC**, Miami, FL (US)

D615,199 S * 5/2010 Zimmerli et al. D24/137
D617,462 S * 6/2010 Nauche D24/172
D622,856 S * 8/2010 Ramsey D24/186

(**) Term: **14 Years**

(21) Appl. No.: **29/362,190**

(22) Filed: **May 21, 2010**

(51) **LOC (9) Cl.** **24-01**

(52) **U.S. Cl.** **D24/172**

(58) **Field of Classification Search** D24/172,
D24/185, 186; D14/126, 371, 375, 376,
D14/382, 341; D10/65, 78, 104; D13/162,
D13/162.1, 163; 351/205, 206, 208, 209-212
See application file for complete search history.

(56) **References Cited**

U.S. PATENT DOCUMENTS

3,583,794 A * 6/1971 Newman 351/210
D481,057 S * 10/2003 Brady D16/237
6,637,883 B1 * 10/2003 Tengshe et al. 351/210
D558,351 S * 12/2007 Diener et al. D24/186
D601,139 S * 9/2009 Huang et al. D14/341
D608,781 S * 1/2010 Wada D14/371
D613,411 S * 4/2010 Collins et al. D24/186

OTHER PUBLICATIONS

Trimble Website, <http://www.trimble.com/mgis...>, Data Sheet, 2009-2010.

* cited by examiner

Primary Examiner — T. Chase Nelson

Assistant Examiner — Anhdao Doan

(74) *Attorney, Agent, or Firm* — Carol N. Green, Esq.

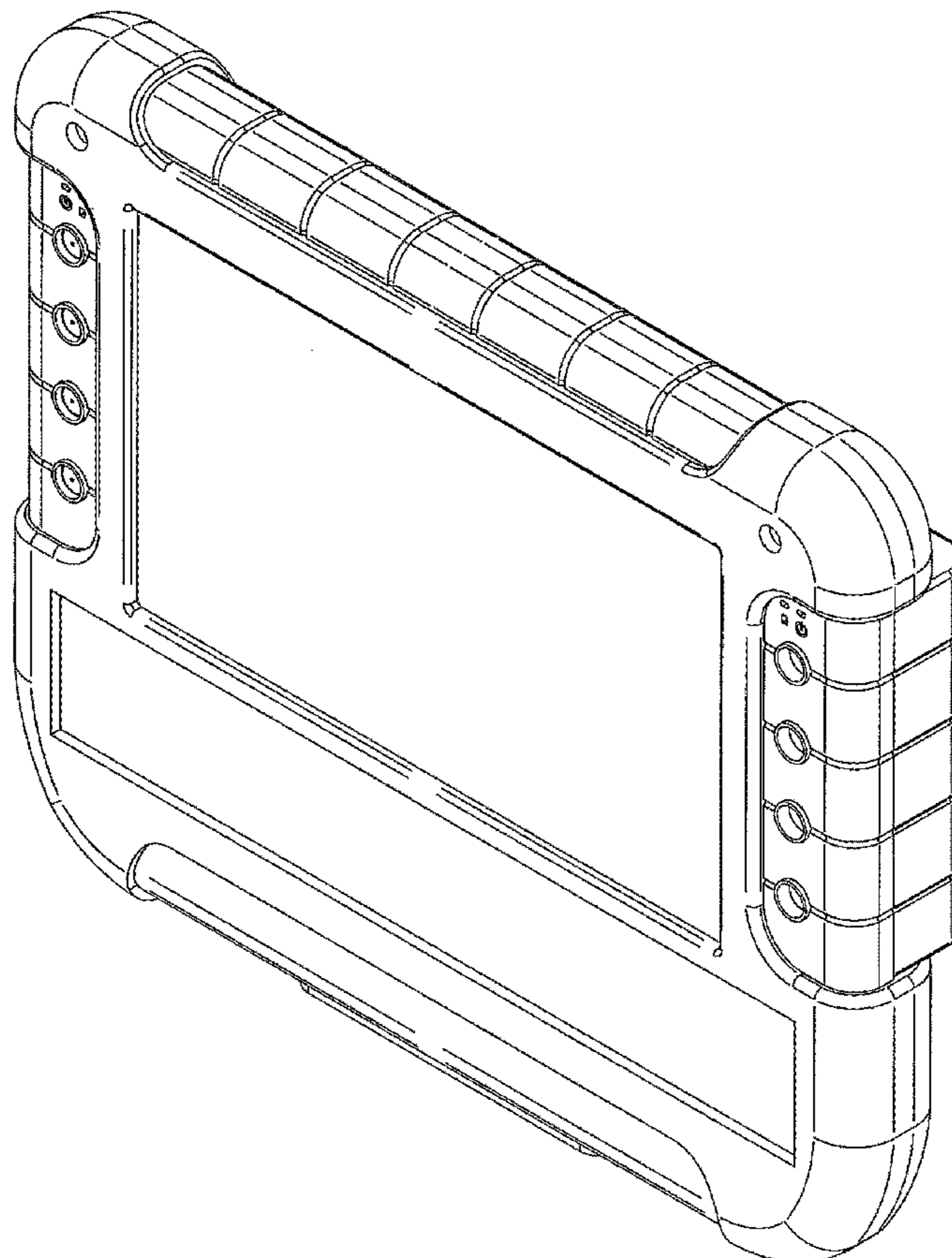
(57) **CLAIM**

The ornamental design for an eye tracking device, as shown and described.

DESCRIPTION

FIG. 1 is a front perspective view of the eye tracking device; FIG. 2 is a rear perspective view of the eye tracking device; FIG. 3 is a front elevational view of the eye tracking device; FIG. 4 is rear elevational view of the eye tracking device; FIG. 5 is a right side view of the eye tracking device; FIG. 6 is a left side view of the eye tracking device; FIG. 7 is a top plan view of the eye tracking device; and, FIG. 8 is a bottom plan view of the eye tracking device.

1 Claim, 6 Drawing Sheets



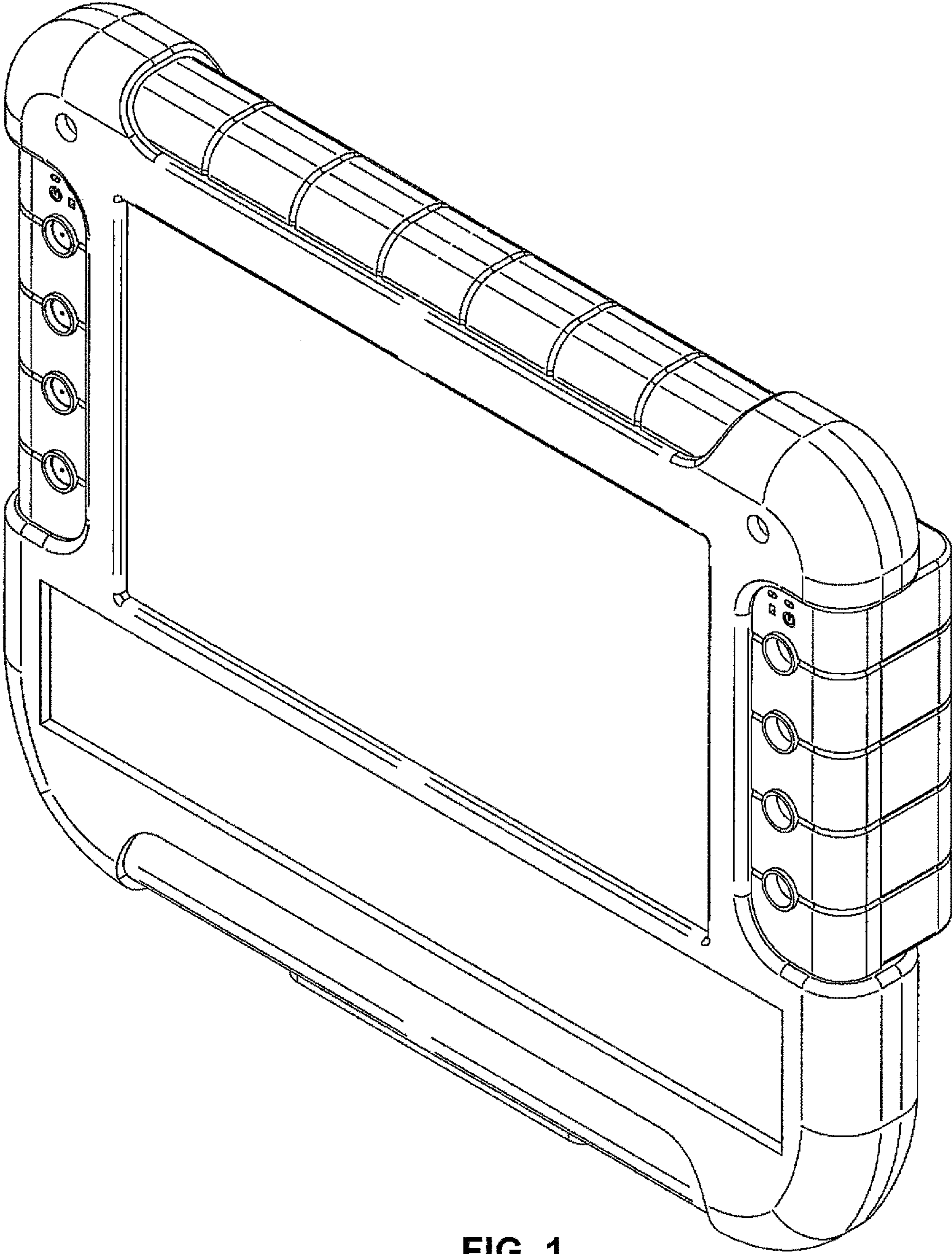


FIG. 1

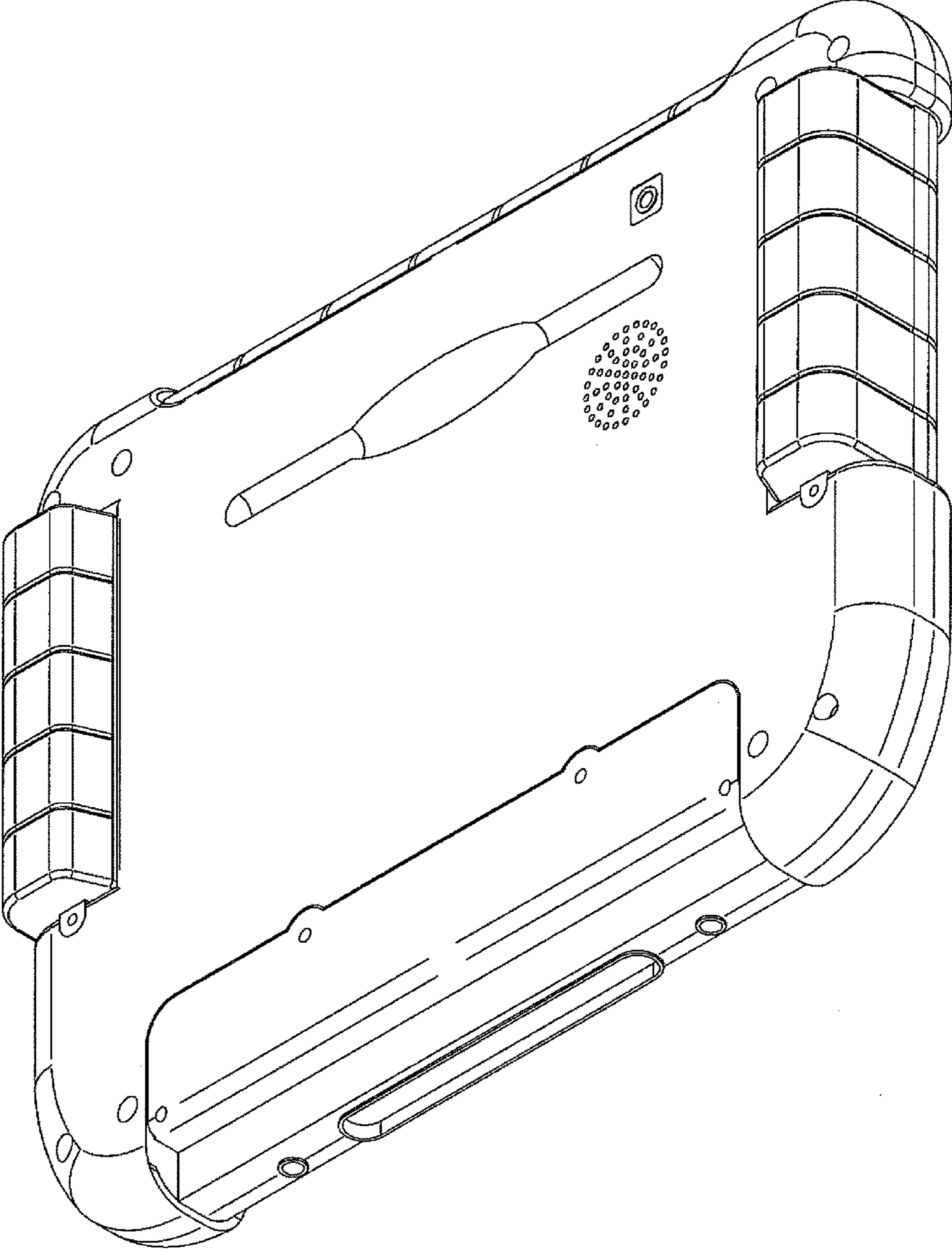


FIG. 2

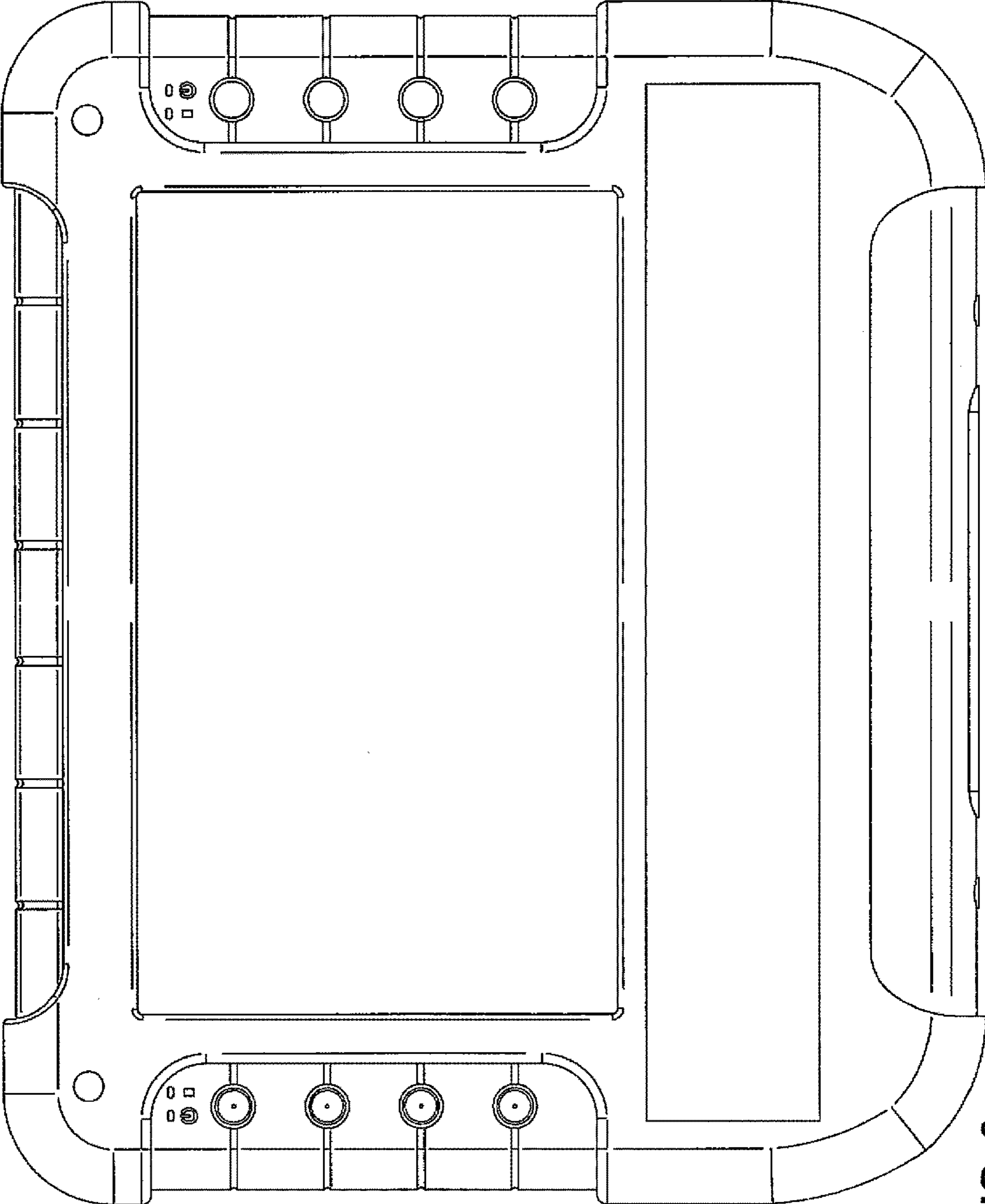


FIG. 3

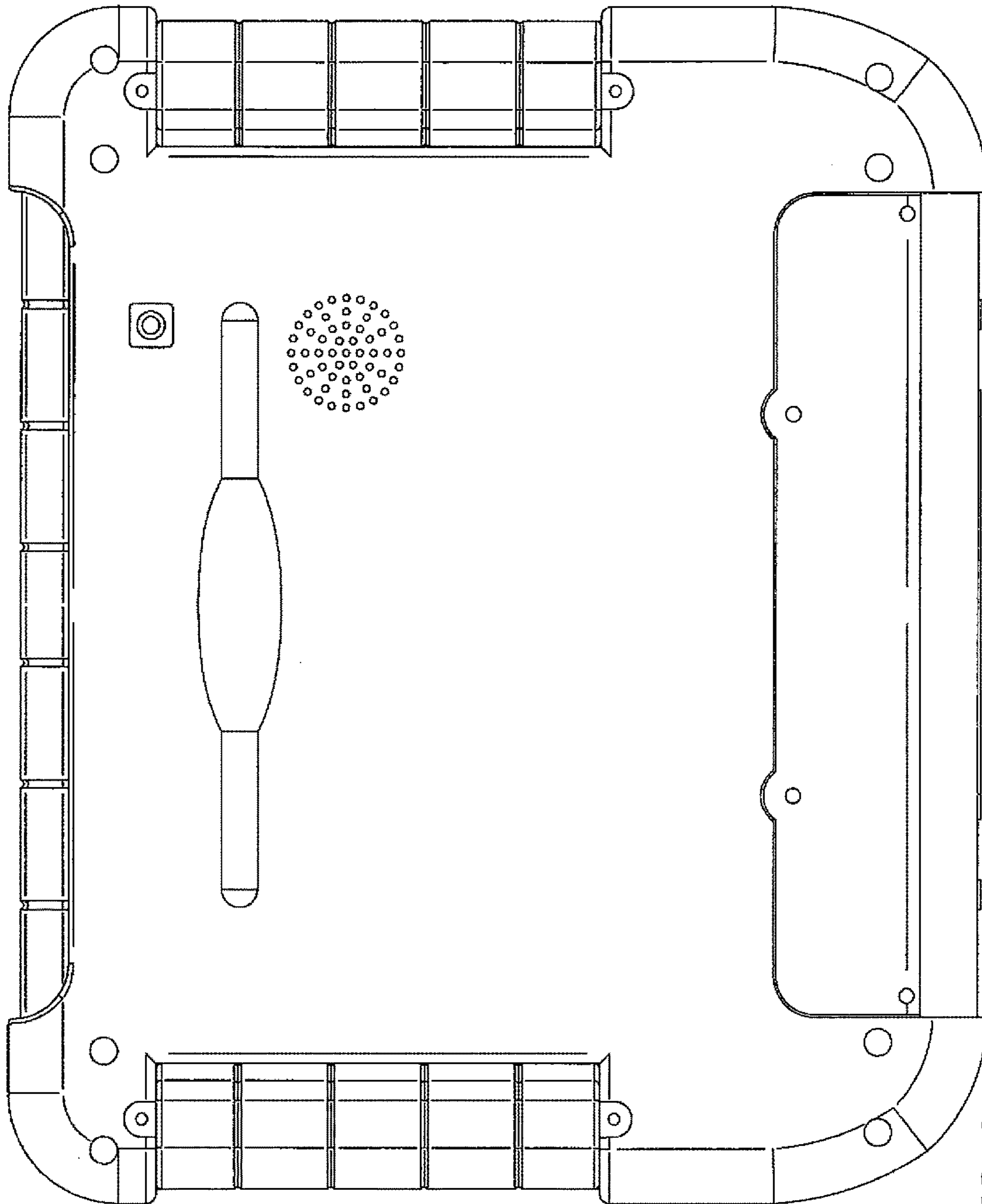


FIG. 4

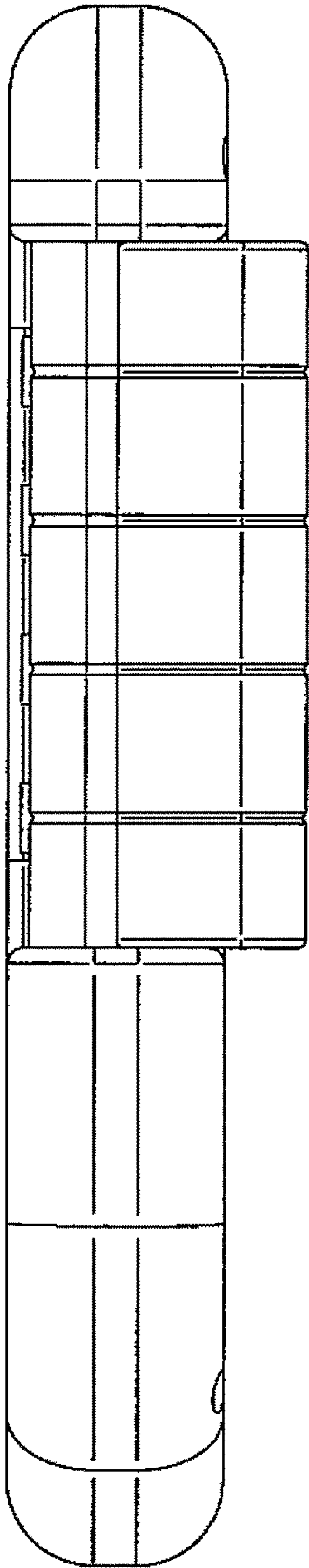


FIG. 5

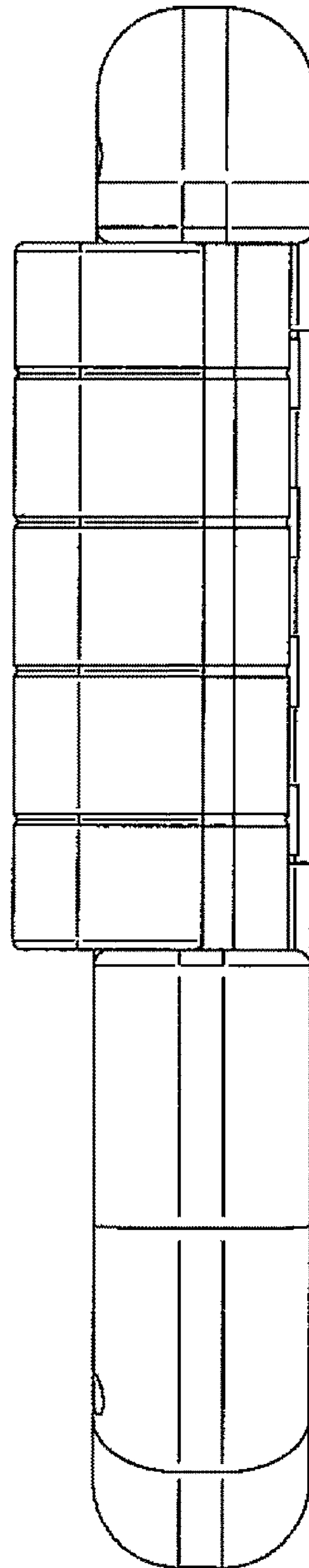


FIG. 6



FIG. 7

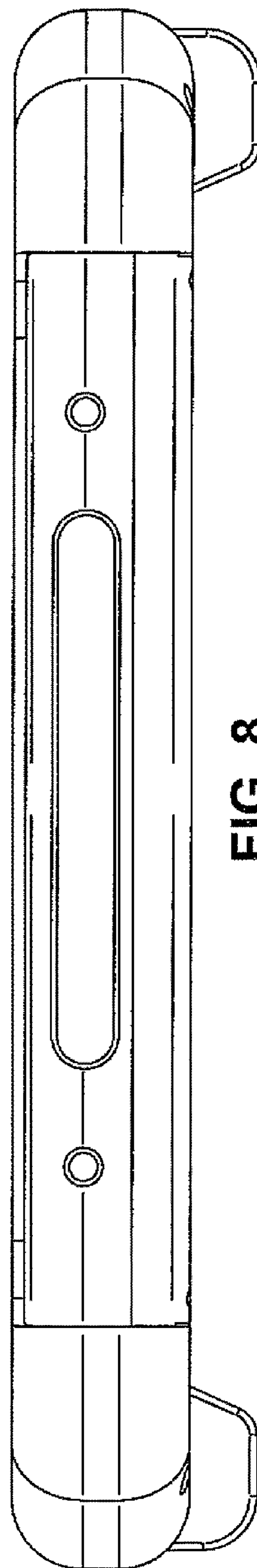


FIG. 8