



US00D638941S

(12) **United States Design Patent**  
**Cuschieri**

(10) **Patent No.:** **US D638,941 S**

(45) **Date of Patent:** **\*\* May 31, 2011**

(54) **MEDICAL DEVICE**

(75) **Inventor:** **Alfred Cuschieri**, Fife (GB)

(73) **Assignee:** **KARL STORZ GmbH & Co. KG**,  
Tuttlingen (DE)

(\*\*) **Term:** **14 Years**

(21) **Appl. No.:** **29/350,526**

(22) **Filed:** **Nov. 18, 2009**

(30) **Foreign Application Priority Data**

May 18, 2009 (EM) ..... 001516550-0011

(51) **LOC (9) Cl.** ..... **24-02**

(52) **U.S. Cl.** ..... **D24/147**

(58) **Field of Classification Search** ..... D24/147,  
D24/140, 133, 146; 604/164, 167.07, 167.04,  
604/158, 167, 169, 256, 264; 600/566, 567,  
600/568, 167, 170

See application file for complete search history.

(56) **References Cited**

**U.S. PATENT DOCUMENTS**

5,330,437	A *	7/1994	Durman	604/167.04
D362,066	S *	9/1995	Petruschke et al.	D24/146
5,672,168	A *	9/1997	de la Torre et al.	606/1
6,551,270	B1 *	4/2003	Bimbo et al.	604/93.01
D480,478	S *	10/2003	Leonard et al.	D24/147
D542,918	S *	5/2007	Albrecht et al.	D24/146
7,344,547	B2 *	3/2008	Piskun	606/185
D580,051	S *	11/2008	Rehbein et al.	D24/133
D619,716	S *	7/2010	Wagner	D24/147
2009/0227843	A1 *	9/2009	Smith et al.	600/208
2010/0030032	A1 *	2/2010	Voegele et al.	600/210

2010/0063452	A1 *	3/2010	Edelman et al.	604/175
2010/0081995	A1 *	4/2010	Widenhouse et al.	604/164.08
2010/0204548	A1 *	8/2010	Bonadio et al.	600/201
2010/0228091	A1 *	9/2010	Widenhouse et al.	600/203
2010/0228092	A1 *	9/2010	Ortiz et al.	600/204
2011/0028891	A1 *	2/2011	Okoniewski	604/26

\* cited by examiner

*Primary Examiner* — Ian Simmons

*Assistant Examiner* — Carissa C Fitts

(74) *Attorney, Agent, or Firm* — Muncy, Geissler, Olds & Lowe, PLLC

(57) **CLAIM**

The ornamental design of a medical device, as shown and described.

**DESCRIPTION**

FIG. 1 is a left side perspective view of a medical device according to an embodiment of the present invention.

FIG. 2 is a right side perspective view of the medical device of FIG. 1.

FIG. 3 is a front perspective view of the medical device of FIG. 1.

FIG. 4 is a rear perspective view of the medical device of FIG. 1.

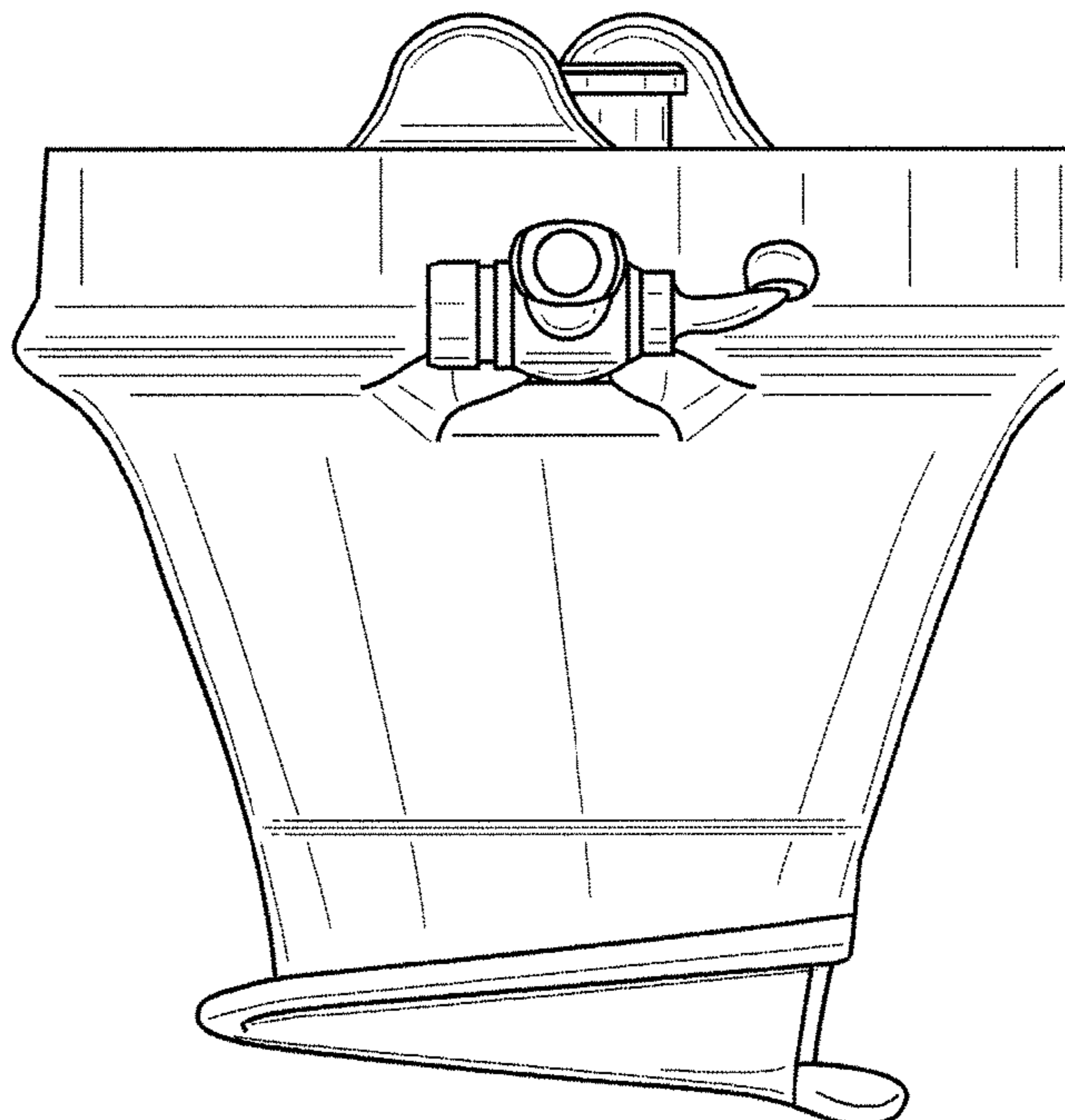
FIG. 5 is a top perspective view of the medical device of FIG. 1.

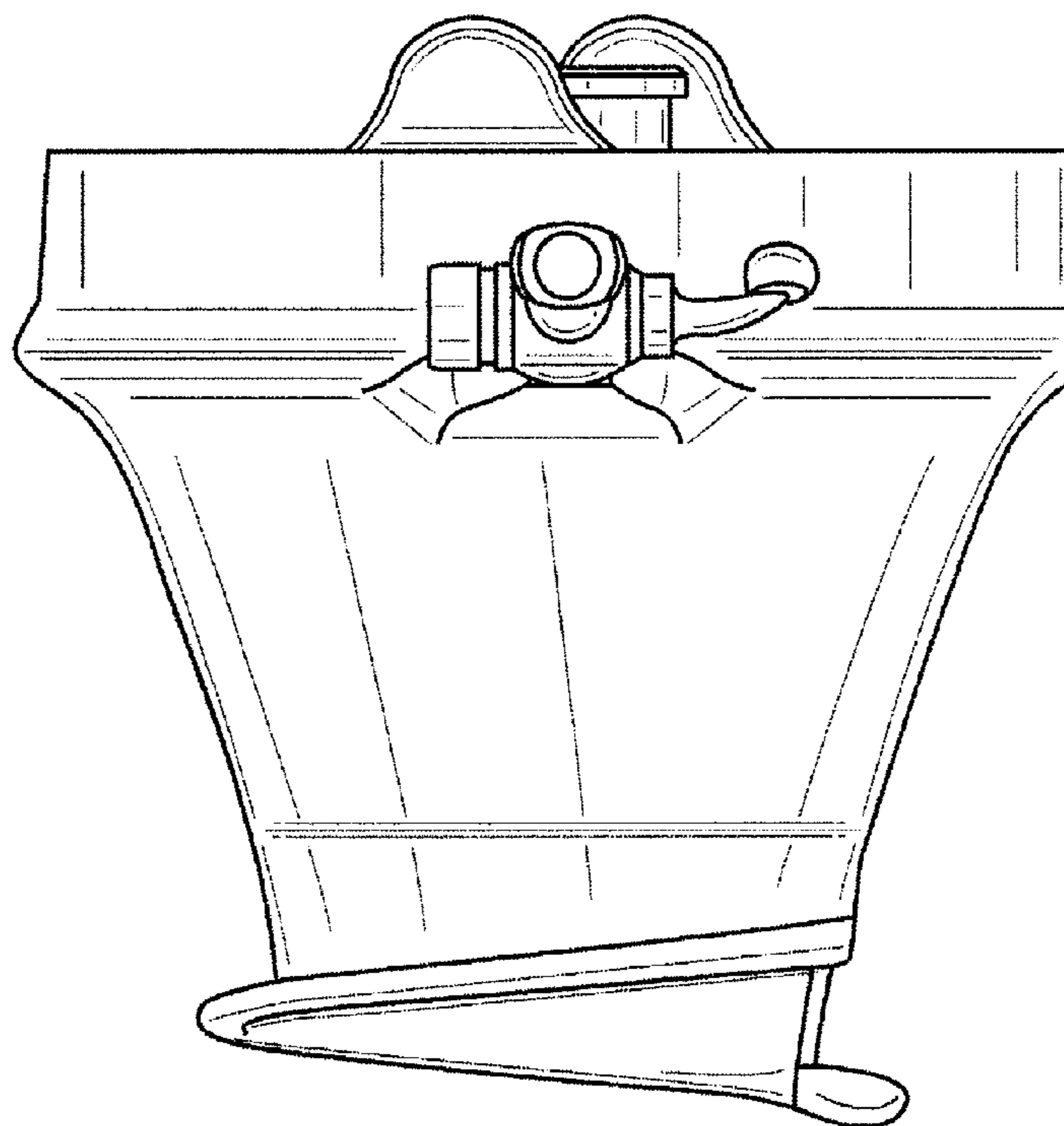
FIG. 6 is a bottom perspective view of the medical device of FIG. 1; and,

FIG. 7 is a three-quarter perspective view of the medical device of FIG. 1.

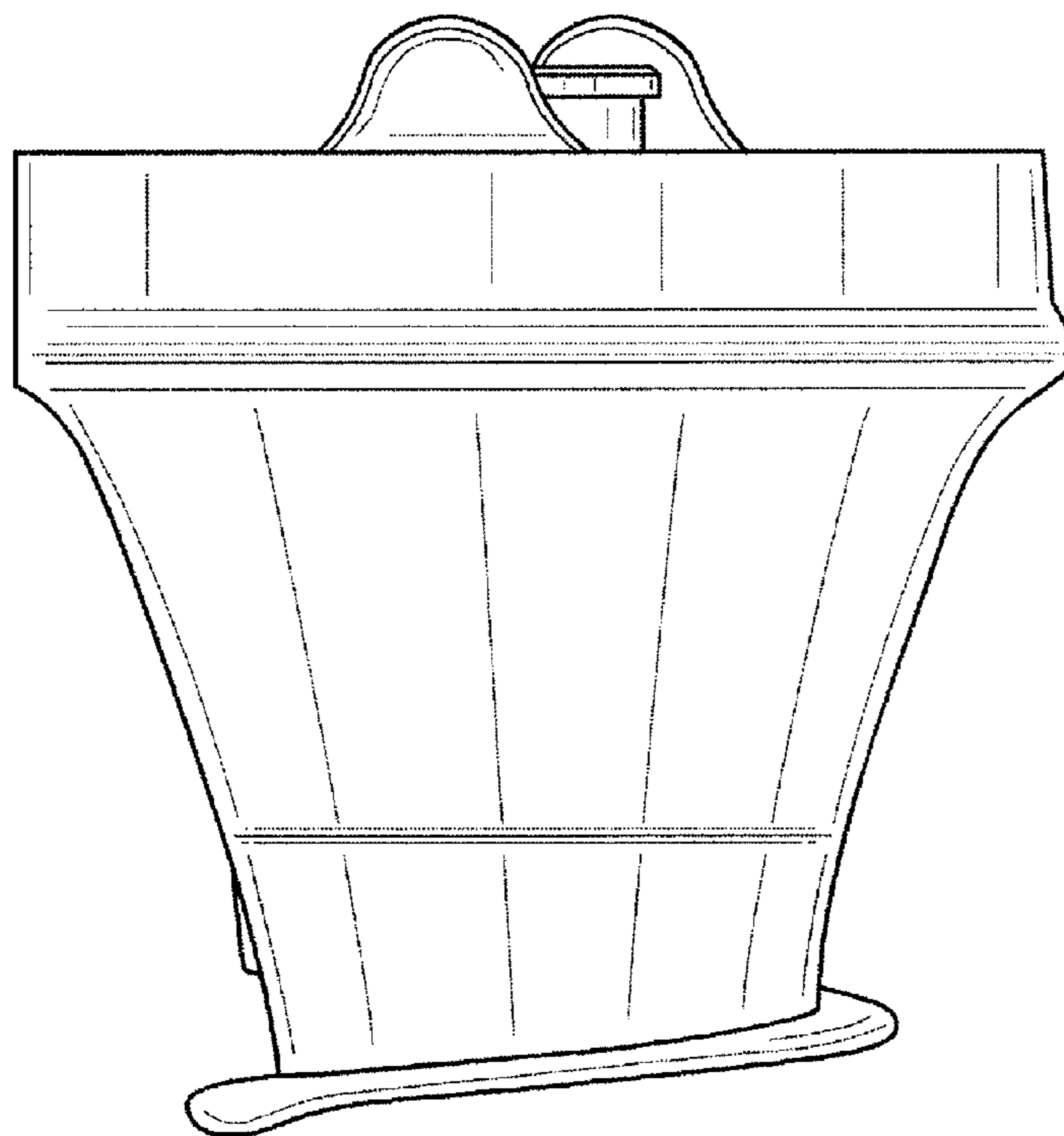
The dashed lines illustrate environment that does not form a part of the present invention, and no claim is made to the material illustrated with dashed lines.

**1 Claim, 4 Drawing Sheets**

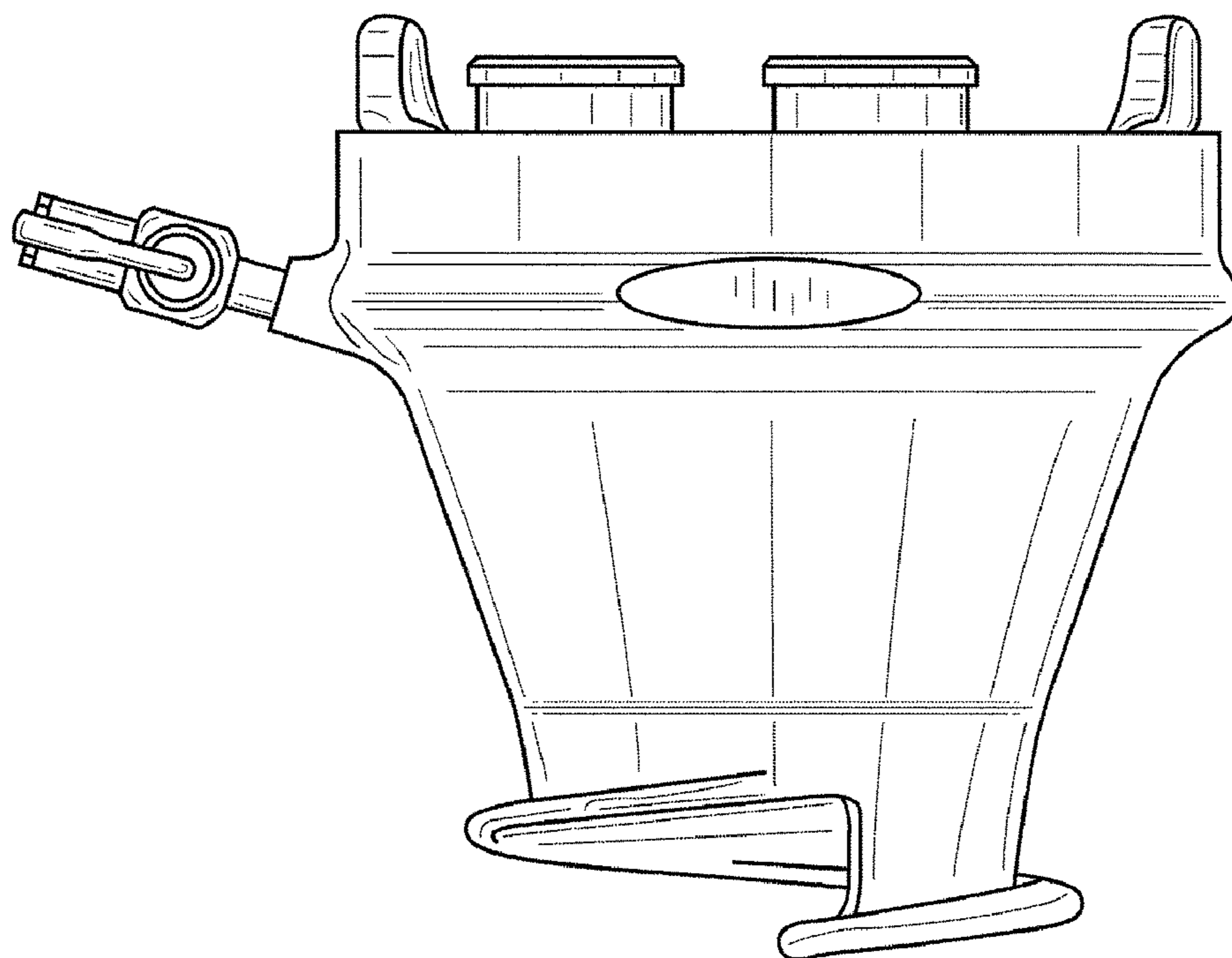




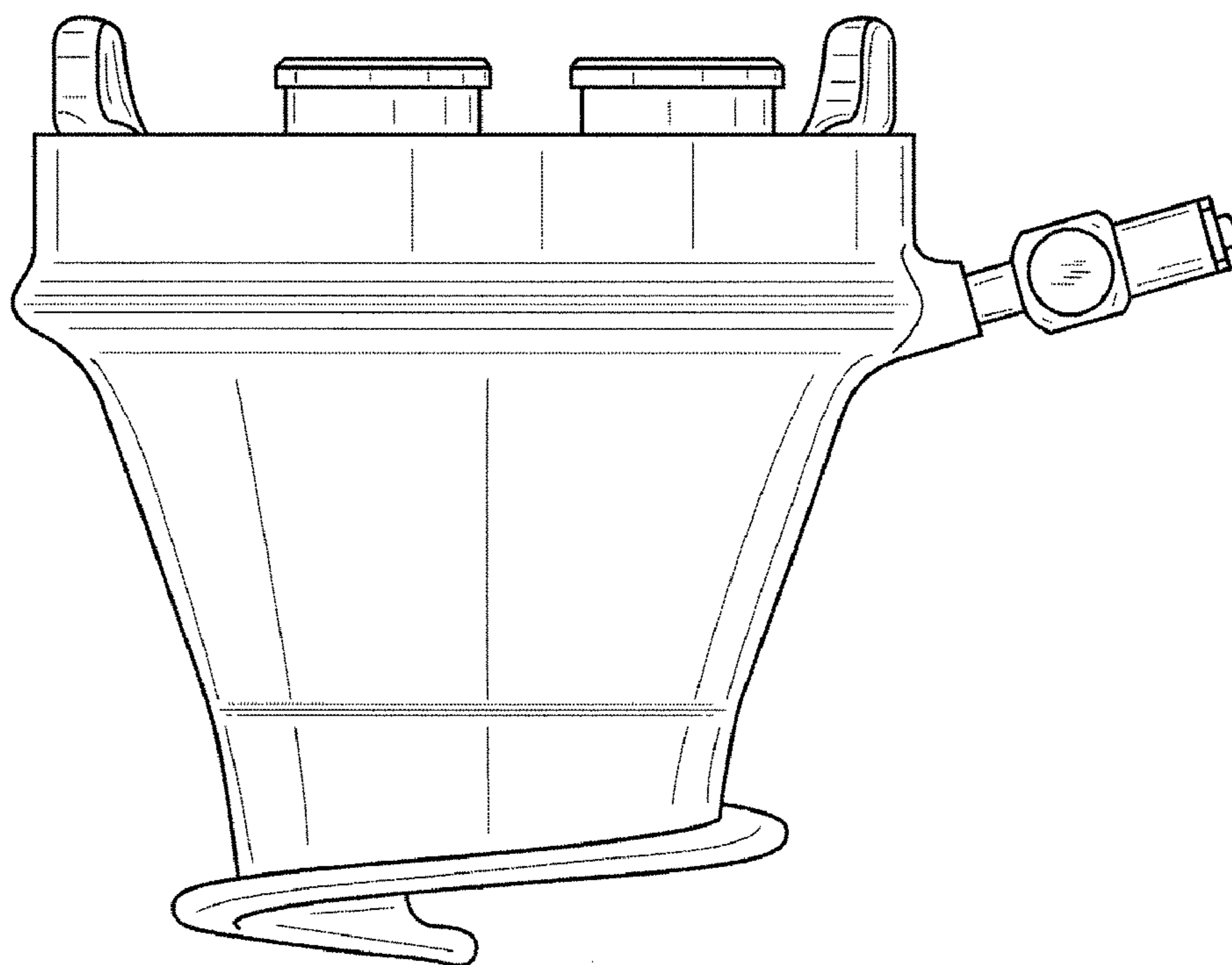
**FIG. 1**



**FIG. 2**

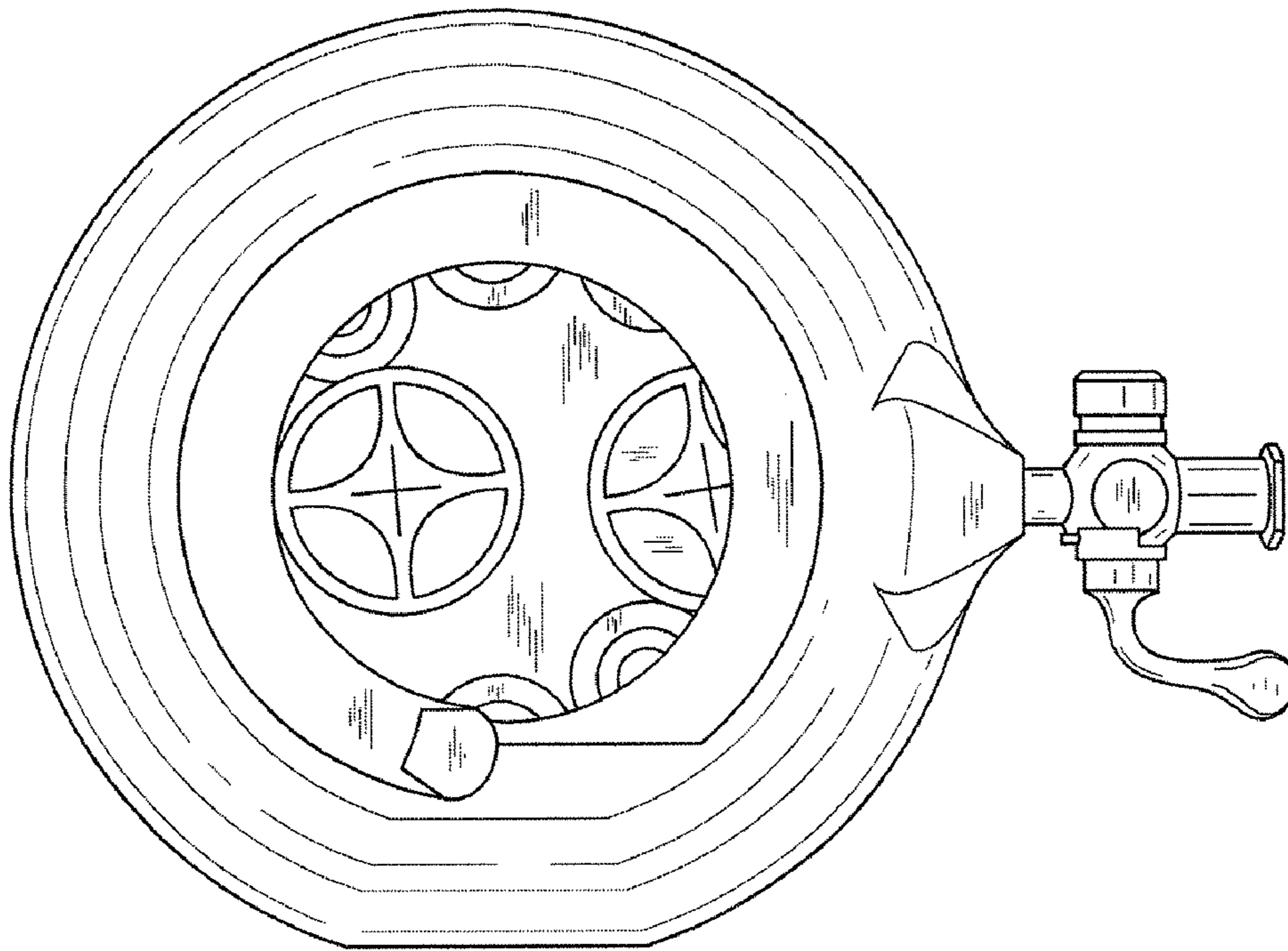


**FIG. 3**

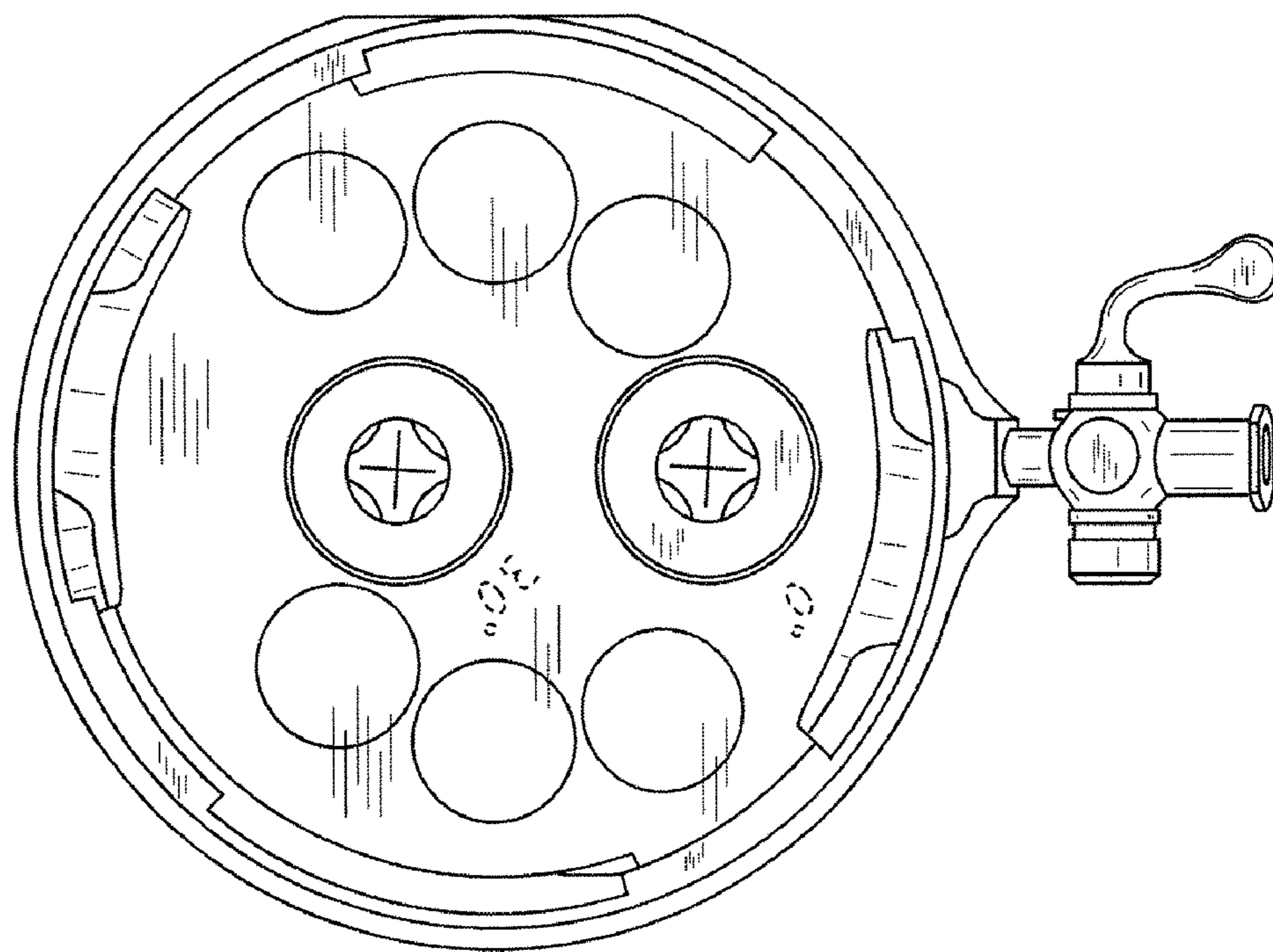


**FIG. 4**

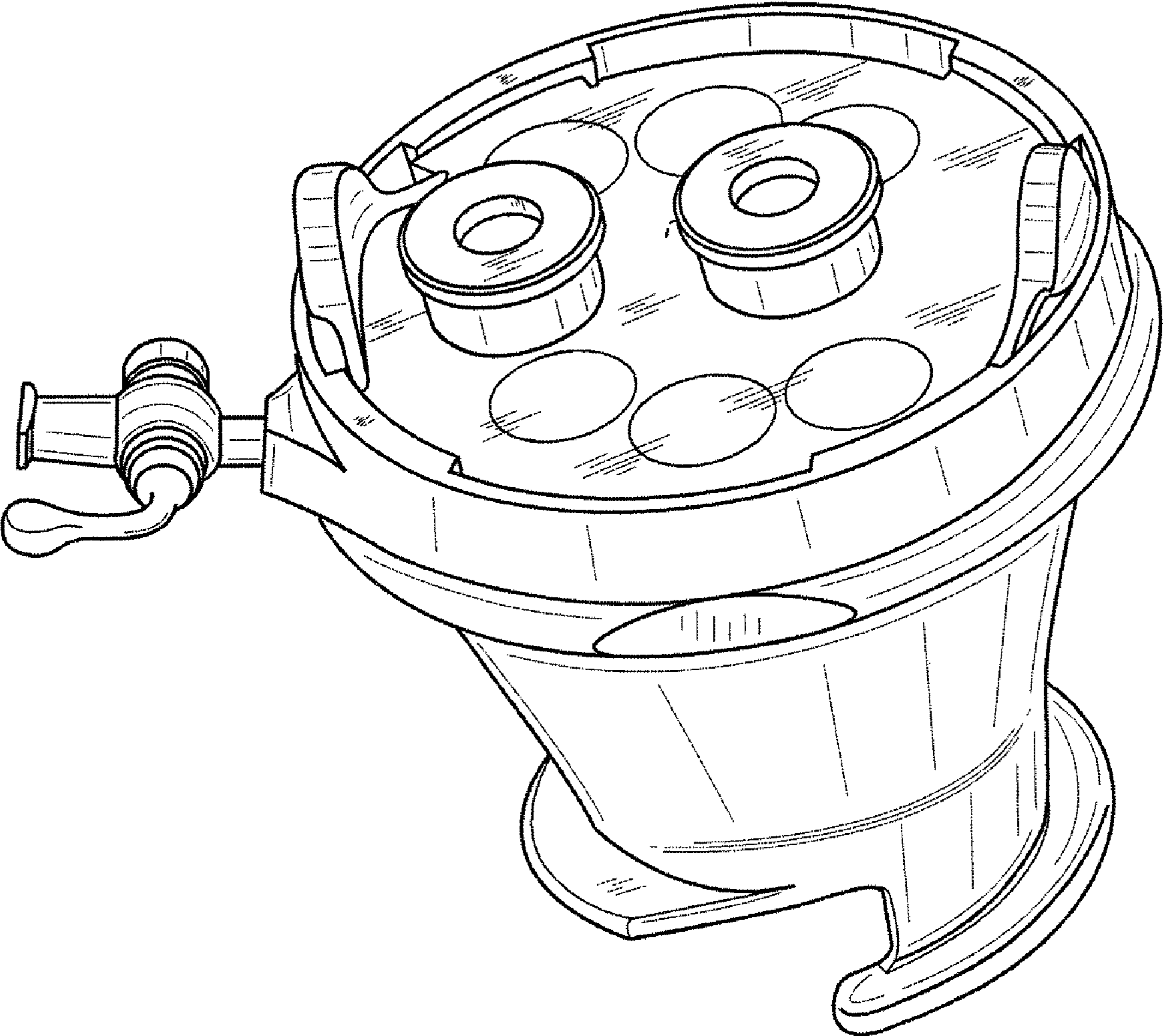




**FIG. 6**



**FIG. 5**



**FIG. 7**