



US00D638933S

(12) **United States Design Patent**
Hill et al.

(10) **Patent No.:** **US D638,933 S**

(45) **Date of Patent:** **** May 31, 2011**

(54) **CUFF WITH AIR DELIVERY TUBE**

(75) Inventors: **Phoebe Katherine Hill**, Neutral Bay (AU); **Nathan John Row**, Lane Cove (AU); **Nicholas Andrew Earl**, Kanwal (AU); **Mark Bertinetti**, Ermington (AU); **Alexander Virr**, Balmain (AU)

(73) Assignee: **ResMed Limited**, Bella Vista (AU)

(**) Term: **14 Years**

(21) Appl. No.: **29/371,192**

(22) Filed: **Nov. 18, 2010**

Related U.S. Application Data

(62) Division of application No. 29/311,404, filed on Mar. 5, 2009, now Pat. No. Des. 629,892.

(51) **LOC (9) Cl.** **24-02**

(52) **U.S. Cl.** **D24/129**

(58) **Field of Classification Search** D24/107, D24/110, 110.4, 110.5, 110.6, 127, 128, 129, D24/164; 128/200.24, 201.22, 202.27; 127/203, 127/27, 294.17, 295.25, 296.15, 296.21; 138/121, 122; 156/143; 174/47; 285/260; 604/27

See application file for complete search history.

(56) **References Cited**

U.S. PATENT DOCUMENTS

1,746,701	A *	2/1930	Kimmich	138/121
2,045,540	A	6/1936	Rodolfo		
2,073,335	A	3/1937	Connell		
2,516,864	A	8/1950	Gilmore		
2,954,802	A	10/1960	Duff		
3,163,707	A	12/1964	Darling		
3,224,444	A	12/1965	Dempster		
3,794,080	A *	2/1974	Huston et al.	138/121
D302,040	S	7/1989	Lambert		
D360,027	S	7/1995	Psaros		

5,720,504	A *	2/1998	Stedman et al.	285/226
6,575,944	B1	6/2003	McNary et al.		
6,923,184	B1	8/2005	Russo		
6,953,354	B2 *	10/2005	Edirisuriya et al.	439/191
6,983,757	B1 *	1/2006	Becker et al.	137/14
7,195,018	B1	3/2007	Goldstein		

(Continued)

FOREIGN PATENT DOCUMENTS

WO PCT/AU2009/001232 * 9/2009

(Continued)

OTHER PUBLICATIONS

Row et al., U.S. Appl. No. 12/461,967, filed Aug. 28, 2009.

(Continued)

Primary Examiner — Elizabeth A Albert

Assistant Examiner — Karen E Eldridge Powers

(74) *Attorney, Agent, or Firm* — Nixon & Vanderhye P.C.

(57) **CLAIM**

The ornamental design for a cuff with air delivery tube, as shown and described.

DESCRIPTION

FIG. 1 is a perspective view of a cuff and a portion of an air delivery tube according to an embodiment of our design; FIG. 2 is a top view thereof, with the rear view being identical thereto, with the exception of the cut-off portion of the air delivery tube;

FIG. 3 is a front view thereof, with the rear view being a mirror image thereof, with the exception of the cut-off portion of the air delivery tube;

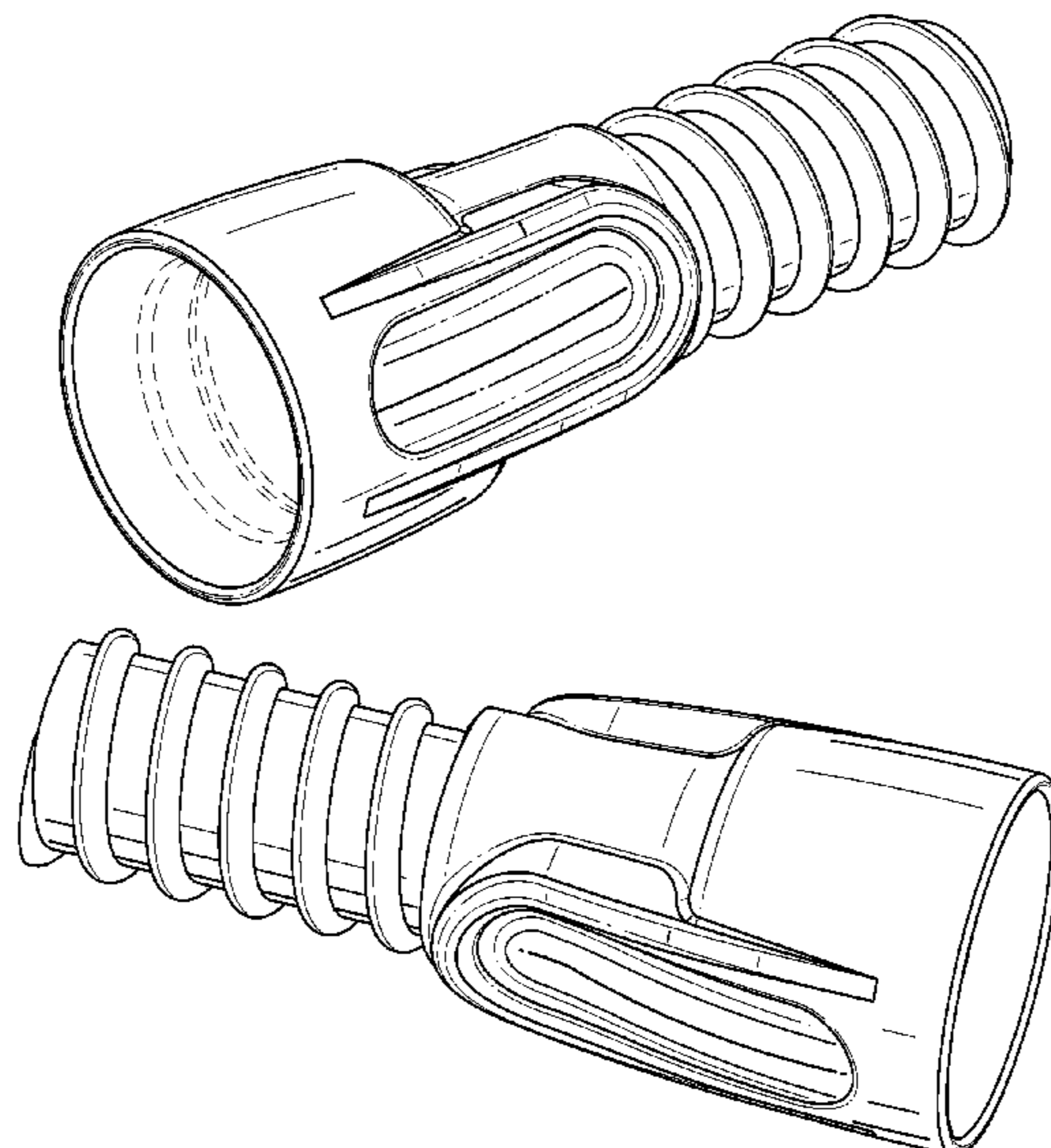
FIG. 4 is a right side view thereof;

FIG. 5 is a left side view thereof; and,

FIG. 6 is a reverse perspective view thereof.

The broken lines represent environmental structure of the cuff and do not form a part of the claimed design.

1 Claim, 4 Drawing Sheets



US D638,933 S

Page 2

U.S. PATENT DOCUMENTS

7,226,302 B2 * 6/2007 Walter et al. 439/191
7,597,100 B2 10/2009 Ging et al.
D628,288 S 11/2010 Row et al.
2006/0283461 A1 12/2006 Lubke et al.
2007/0000492 A1 1/2007 Hansel et al.
2007/0095350 A1 5/2007 Darkin et al.
2007/0277828 A1 12/2007 Ho et al.
2008/0105257 A1 5/2008 Klasek et al.
2008/0210236 A1 9/2008 Richard et al.
2009/0025724 A1 1/2009 Herron, Jr.

FOREIGN PATENT DOCUMENTS

WO WO 2010031126 3/2010

OTHER PUBLICATIONS

Row et al., U.S. Appl. No. 61/202,907, filed Apr. 17, 2009.
Virr et al., U.S. Appl. No. 61/097,765, filed Sep. 17, 2008.
Virr et al., U.S. Appl. No. 61/226,134, filed Jul. 16, 2009.
CPAP Tubing, 6 ft (CPAP-6G), as shown on www.myrespiratorysupply.com, viewed Apr. 13, 2010 and review of same dated May 10, 2007 (3 pages).

* cited by examiner

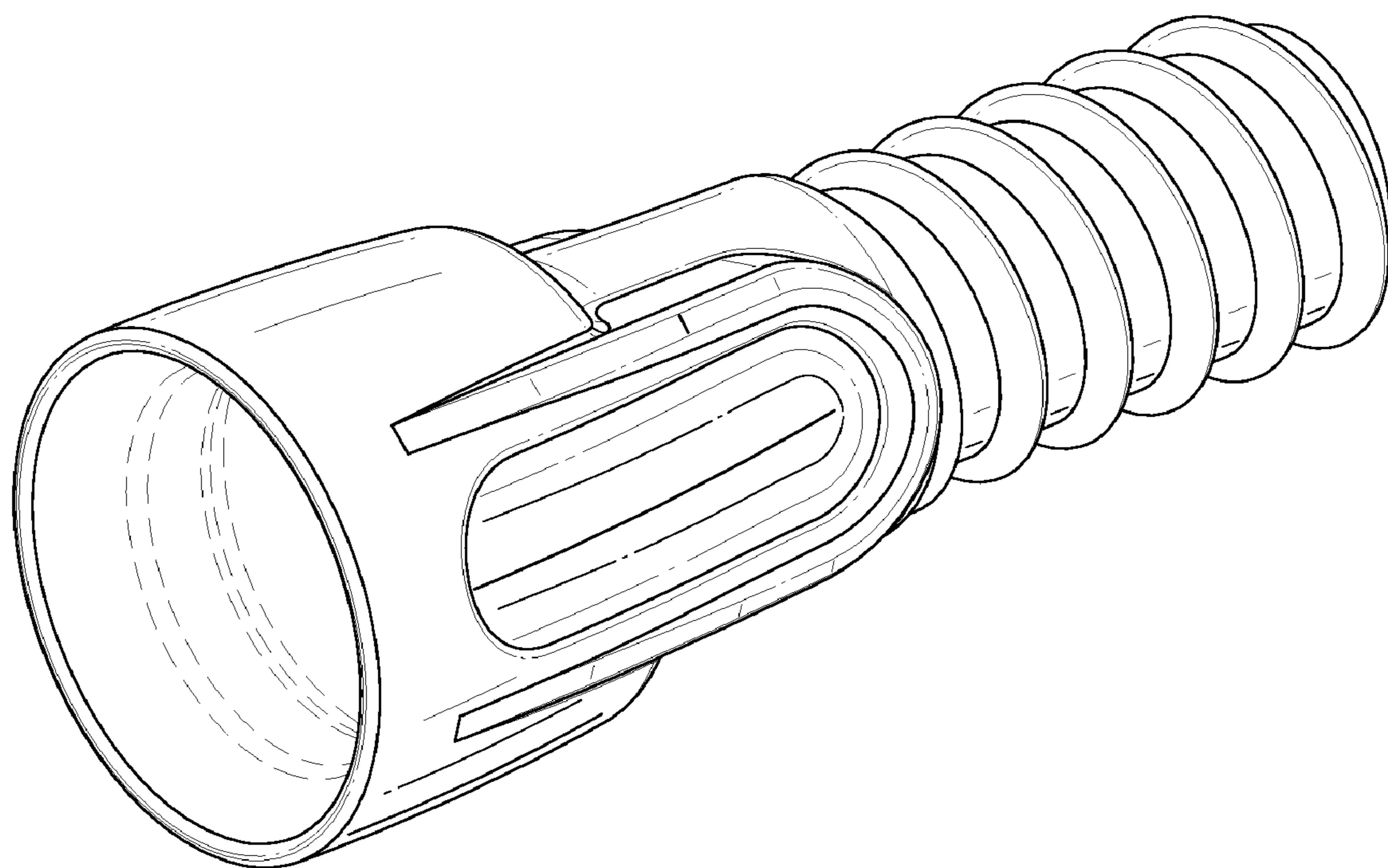


FIG. 1

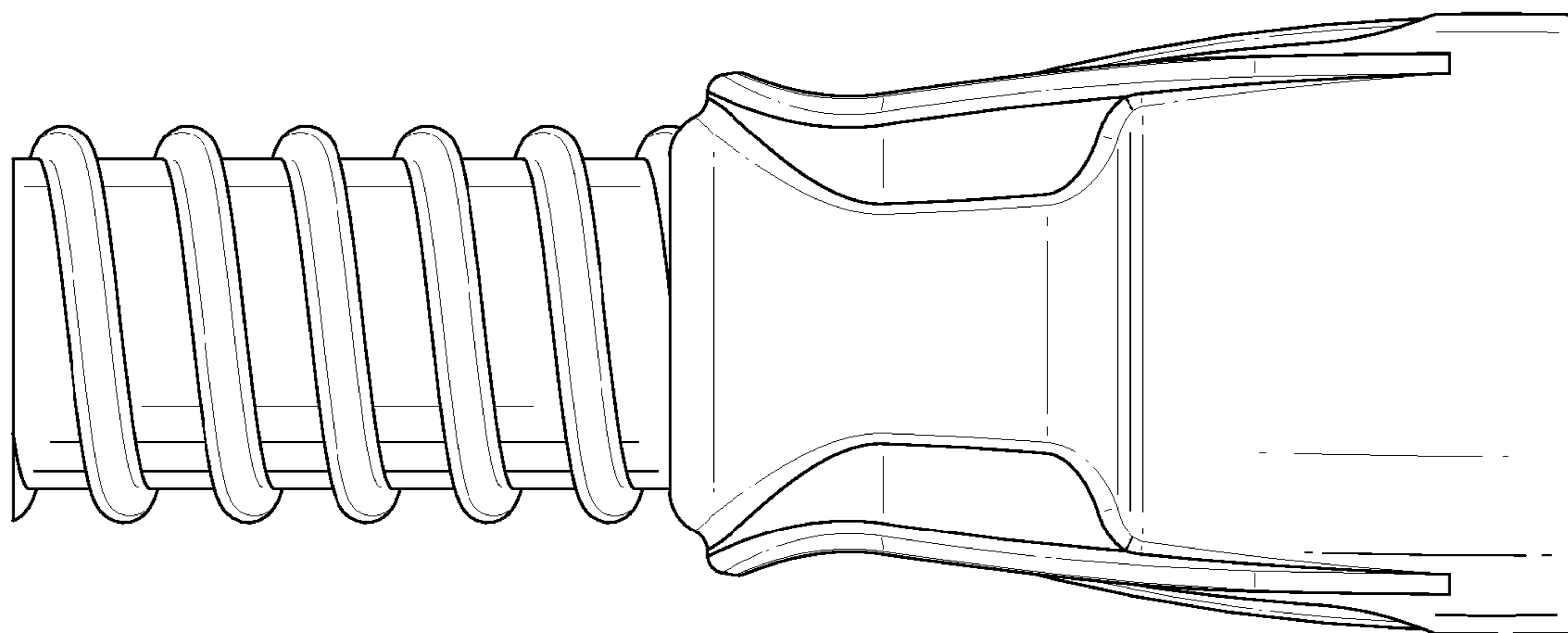


FIG. 2

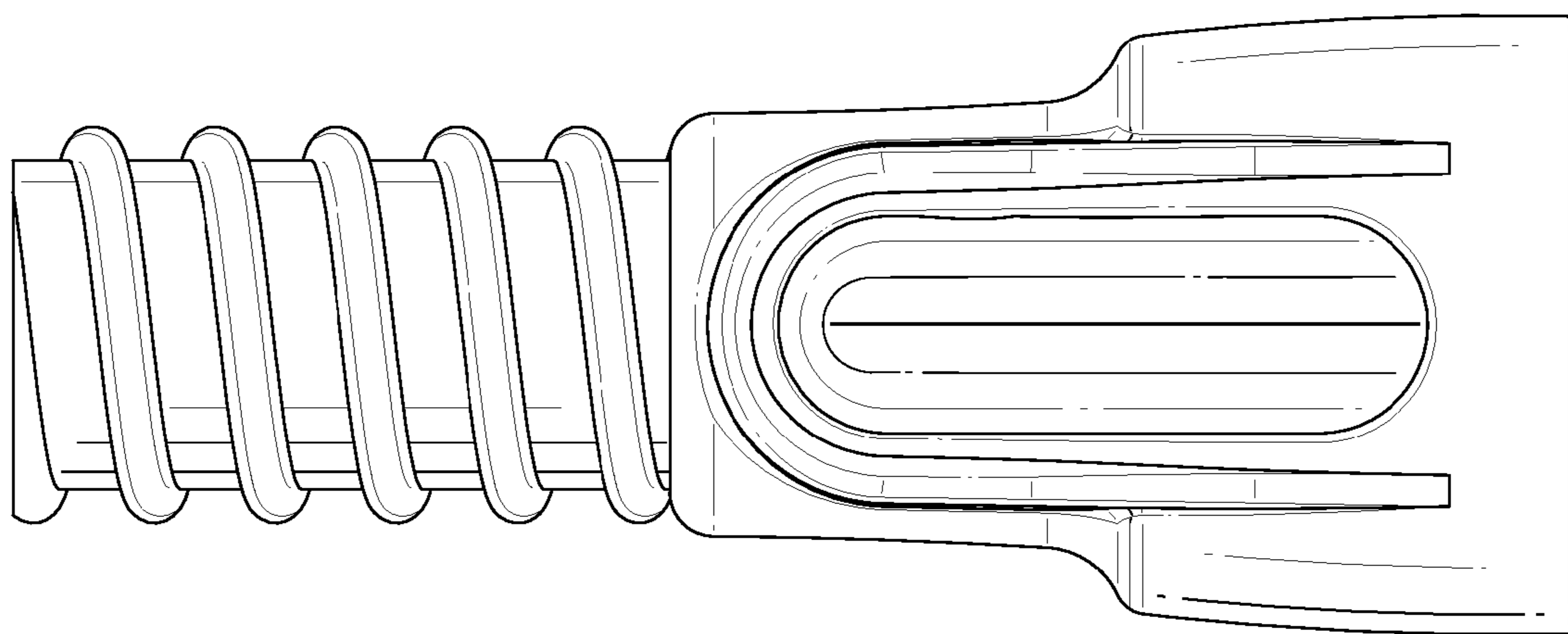


FIG. 3

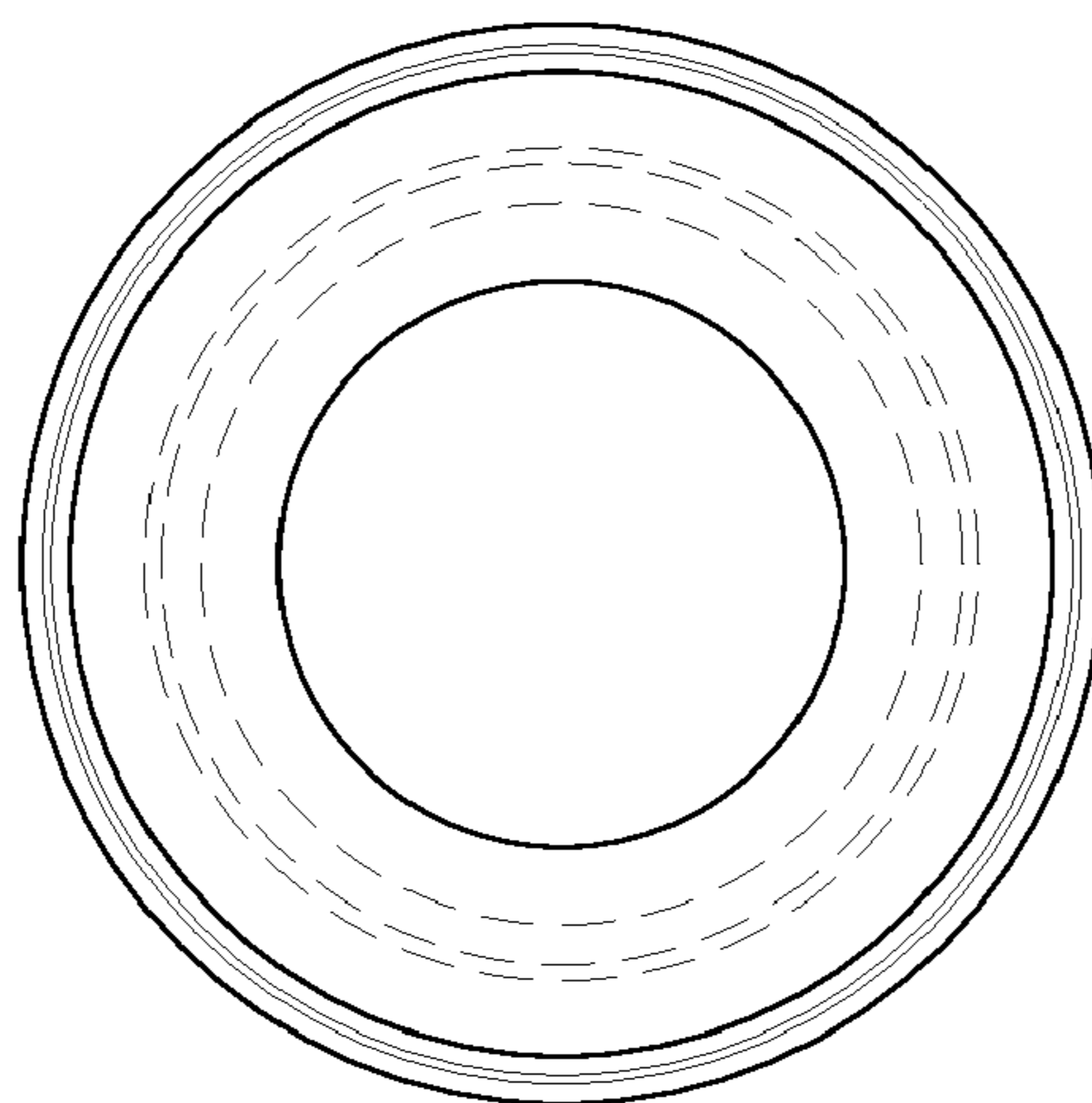


FIG. 4

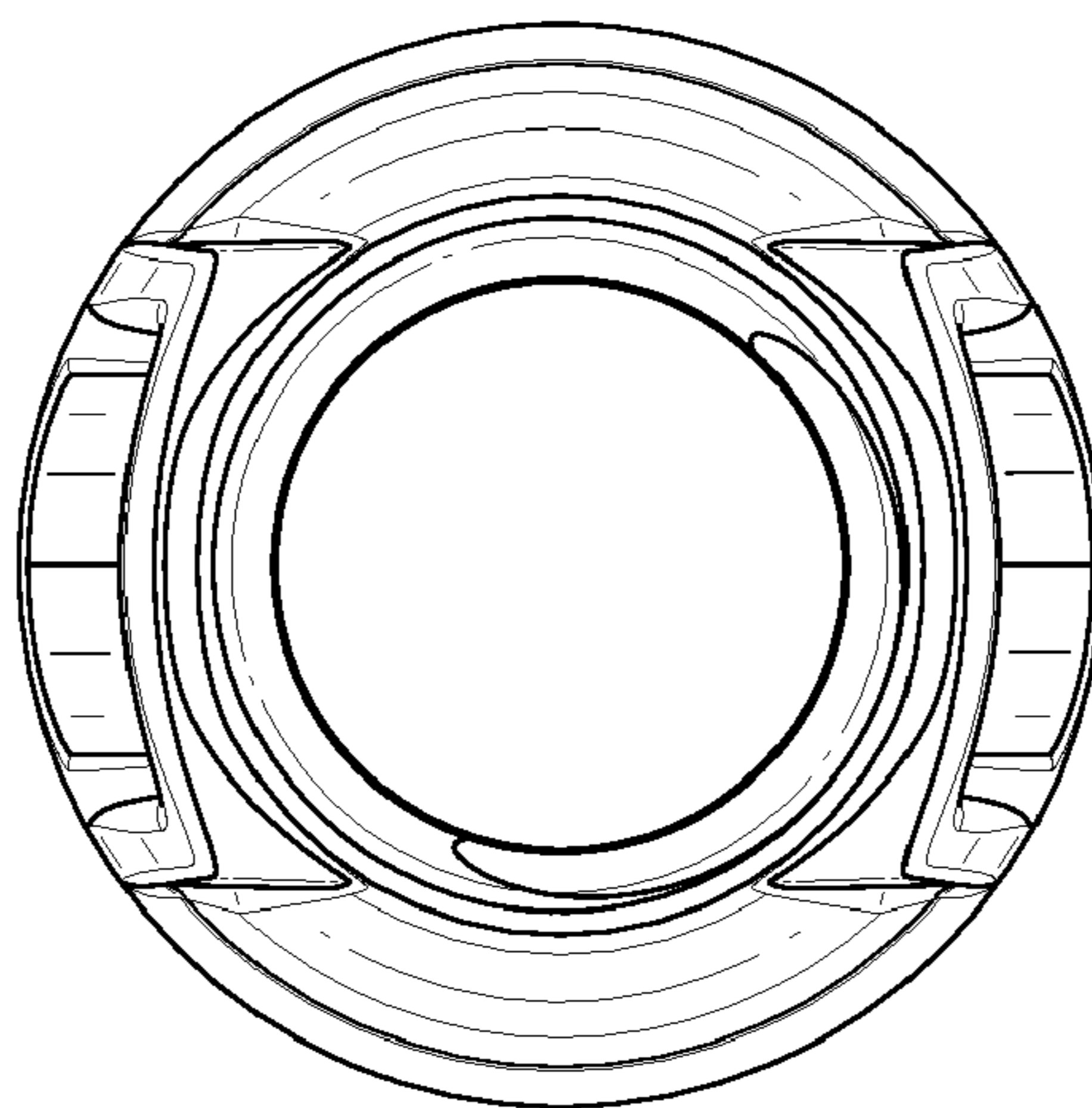


FIG. 5

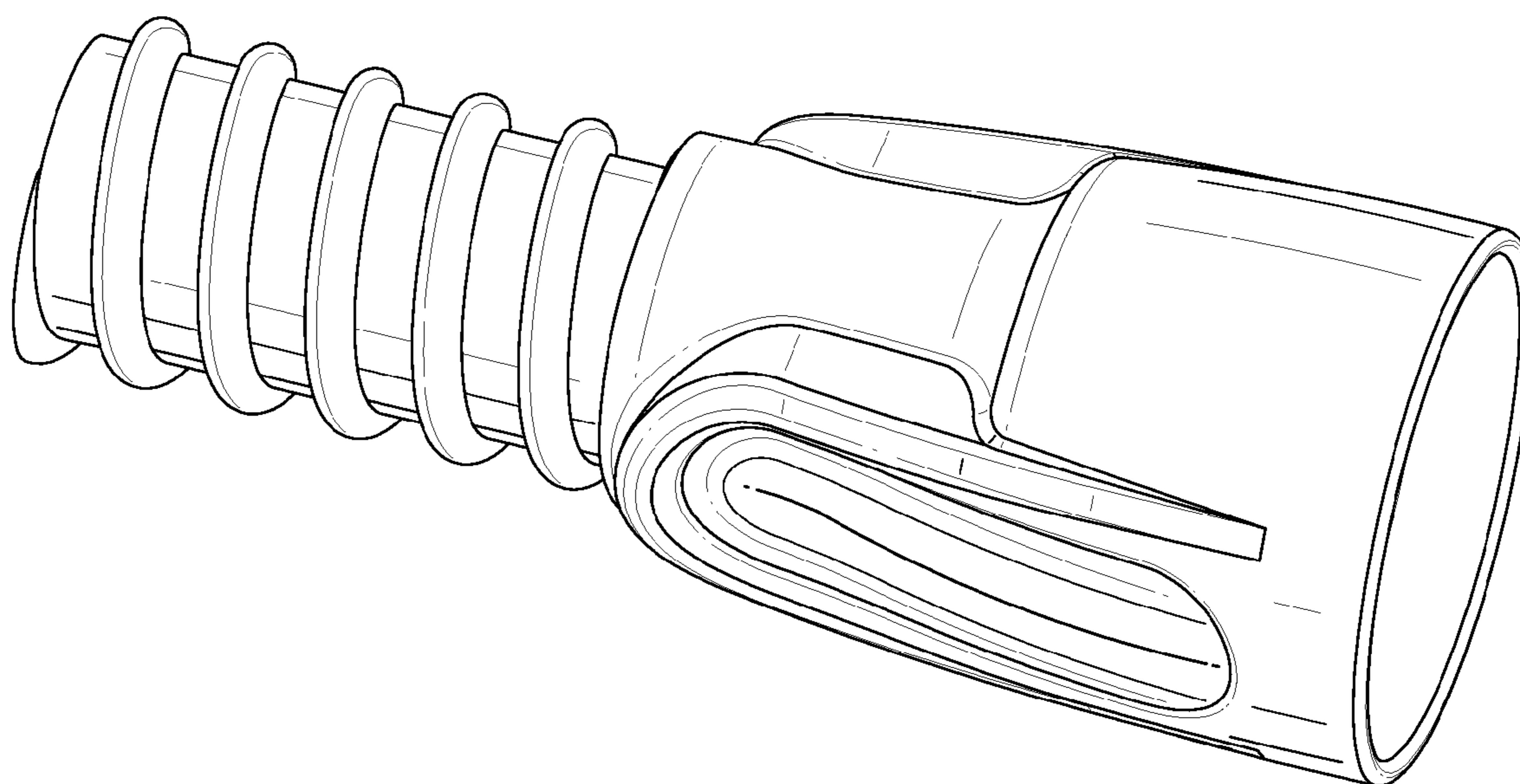


FIG. 6