



US00D638931S

(12) **United States Design Patent**
Graham et al.

(10) **Patent No.:** **US D638,931 S**
(45) **Date of Patent:** **** May 31, 2011**

(54) **CONNECTOR FOR A PATIENT VENTILATING AND ASPIRATING SYSTEM**

(75) Inventors: **Peter Kenneth Graham**, Auckland (NZ); **Deshitha Airawana Edirisuriya**, Auckland (NZ); **Dwayne John Scollay**, Auckland (NZ)

(73) Assignee: **Fisher & Paykel Healthcare Limited**, Auckland (NZ)

(**) Term: **14 Years**

(21) Appl. No.: **29/359,361**

(22) Filed: **Apr. 9, 2010**

Related U.S. Application Data

(63) Continuation of application No. 10/599,352, filed as application No. PCT/NZ2005/000057 on Mar. 30, 2005.

(51) **LOC (9) Cl.** **24-02**

(52) **U.S. Cl.** **D24/127**

(58) **Field of Classification Search** D24/112, D24/129-130, 222; D23/259-269; 604/533, 604/905, 523, 535, 539, 249, 403; 264/150; 128/206.12, 202.28-202.29, 203.11; 285/133.11
See application file for complete search history.

(56) **References Cited**

U.S. PATENT DOCUMENTS

4,531,328	A	7/1985	Jewett	
D282,772	S *	2/1986	Fleury	D23/263
4,569,344	A	2/1986	Palmer	
4,836,199	A	6/1989	Palmer	
5,060,646	A	10/1991	Page	
5,135,489	A *	8/1992	Jepson et al.	604/48
5,255,676	A	10/1993	Russo	
5,329,921	A	7/1994	Socaris et al.	
5,501,214	A *	3/1996	Sabo	128/205.24
5,549,554	A *	8/1996	Miraki	604/101.05
5,640,951	A	6/1997	Huddart et al.	
5,715,815	A	2/1998	Lorenzen et al.	

(Continued)

FOREIGN PATENT DOCUMENTS

WO WO1999029359 6/1999

OTHER PUBLICATIONS

International Search Report, Jun. 8, 2005.

(Continued)

Primary Examiner — T. Chase Nelson

Assistant Examiner — Eric L Goodman

(74) *Attorney, Agent, or Firm* — Knobbe, Martens, Olson & Bear, LLP.

(57) **CLAIM**

The ornamental design for a connector for a patient ventilating and aspirating system, as shown and described.

DESCRIPTION

FIG. 1 is a perspective view of the connector for a patient ventilating and aspirating system;

FIG. 2 is a top plan view of the connector for a patient ventilating and aspirating system;

FIG. 3 is a left side elevational view of the connector for a patient ventilating and aspirating system;

FIG. 4 is a front elevational view of the connector for a patient ventilating and aspirating system;

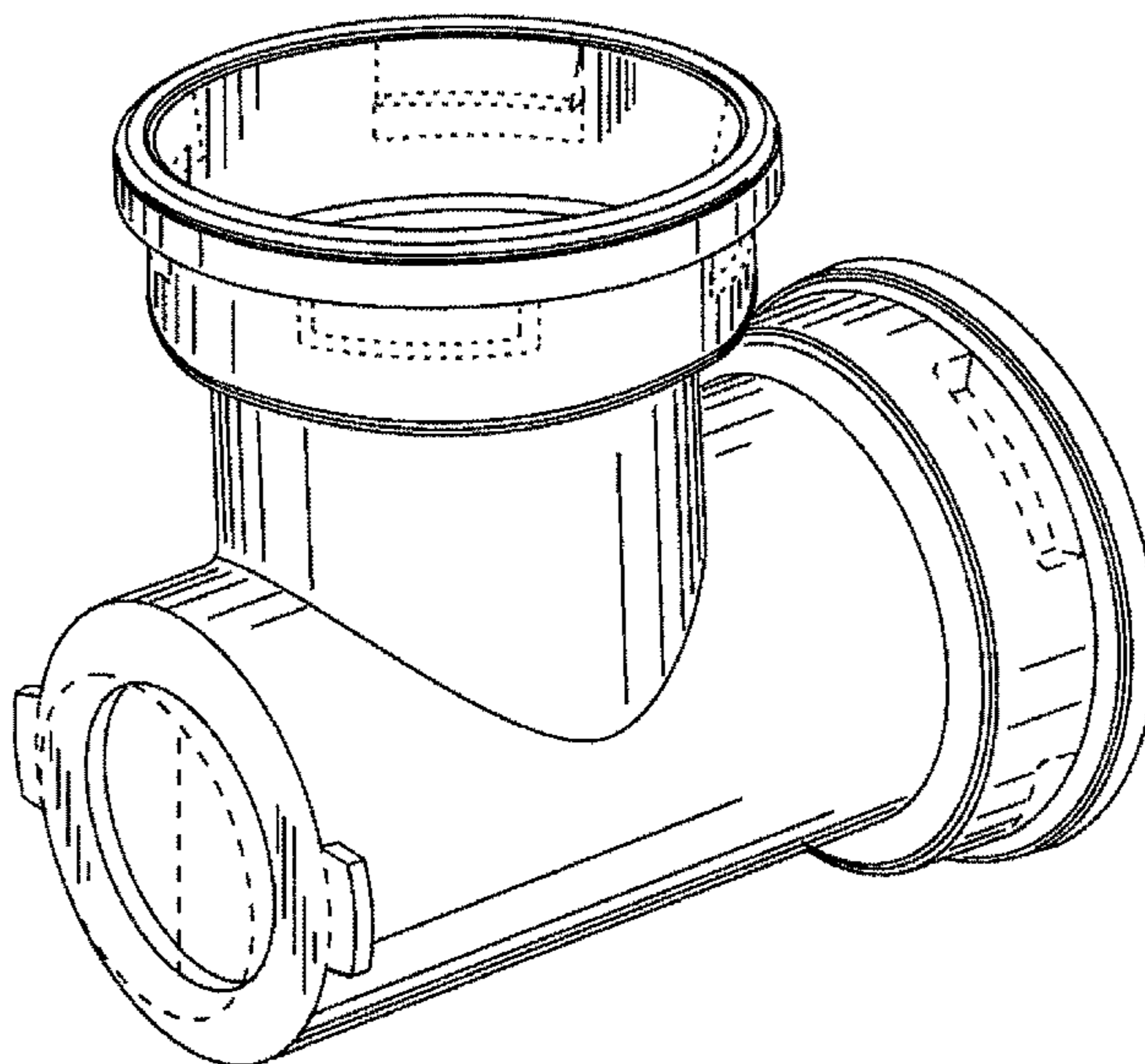
FIG. 5 is a right side elevational view of the connector for a patient ventilating and aspirating system; and,

FIG. 6 is a bottom plan view of the connector for a patient ventilating and aspirating system.

The rear elevational view of the connector for a patient ventilating and aspirating system is the mirror image of the front elevational view of the connector for a patient ventilating and aspirating system shown in FIG. 4.

The broken lines in the drawings show environmental structure that form no part of the design to be patented.

1 Claim, 3 Drawing Sheets



US D638,931 S

Page 2

U.S. PATENT DOCUMENTS

5,775,325 A 7/1998 Russo
6,217,568 B1 * 4/2001 Jepson et al. 604/533
6,245,048 B1 * 6/2001 Fangrow et al. 604/249
6,261,266 B1 * 7/2001 Jepson et al. 604/201
6,269,813 B1 8/2001 Fitzgerald et al.
D453,221 S * 1/2002 Haytman et al. D24/129
6,575,944 B1 6/2003 McNary et al.
6,702,789 B1 3/2004 Owens et al.
6,758,833 B2 * 7/2004 Lopez 604/249
7,523,967 B2 * 4/2009 Steppe 285/401
7,549,419 B2 6/2009 Carlsen et al.
7,665,465 B2 * 2/2010 Radney 128/207.11
2002/0087144 A1 * 7/2002 Zinger et al. 604/523
2004/0007236 A1 1/2004 McGee

2004/0181192 A1 * 9/2004 Cuppy 604/256
2006/0025724 A1 * 2/2006 Chen 604/249
2006/0064065 A1 * 3/2006 Russo 604/256
2006/0149189 A1 * 7/2006 Diamond et al. 604/118
2006/0249153 A1 * 11/2006 DeVries et al. 128/204.18
2006/0249160 A1 * 11/2006 Scarberry et al. 128/207.13
2008/0271741 A1 11/2008 Graham et al.
2008/0287906 A1 * 11/2008 Burkholz et al. 604/500
2009/0182309 A1 * 7/2009 Muffly 604/535

OTHER PUBLICATIONS

U.S. Publication No. 2008/0271741, including its prosecution history, and the Office Actions therein, filed Nov. 6, 2008, Graham et al.

* cited by examiner

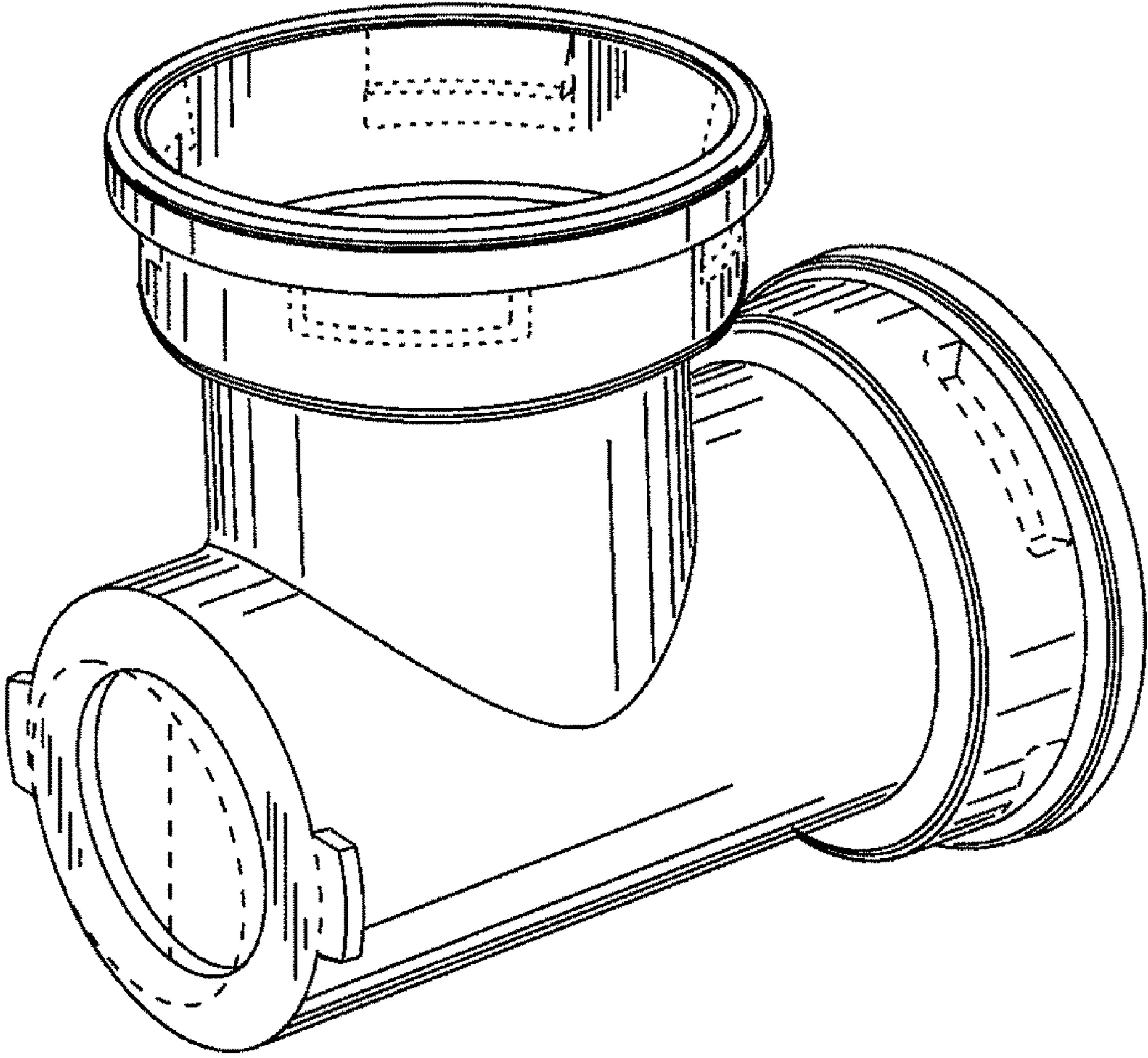


FIG. 1

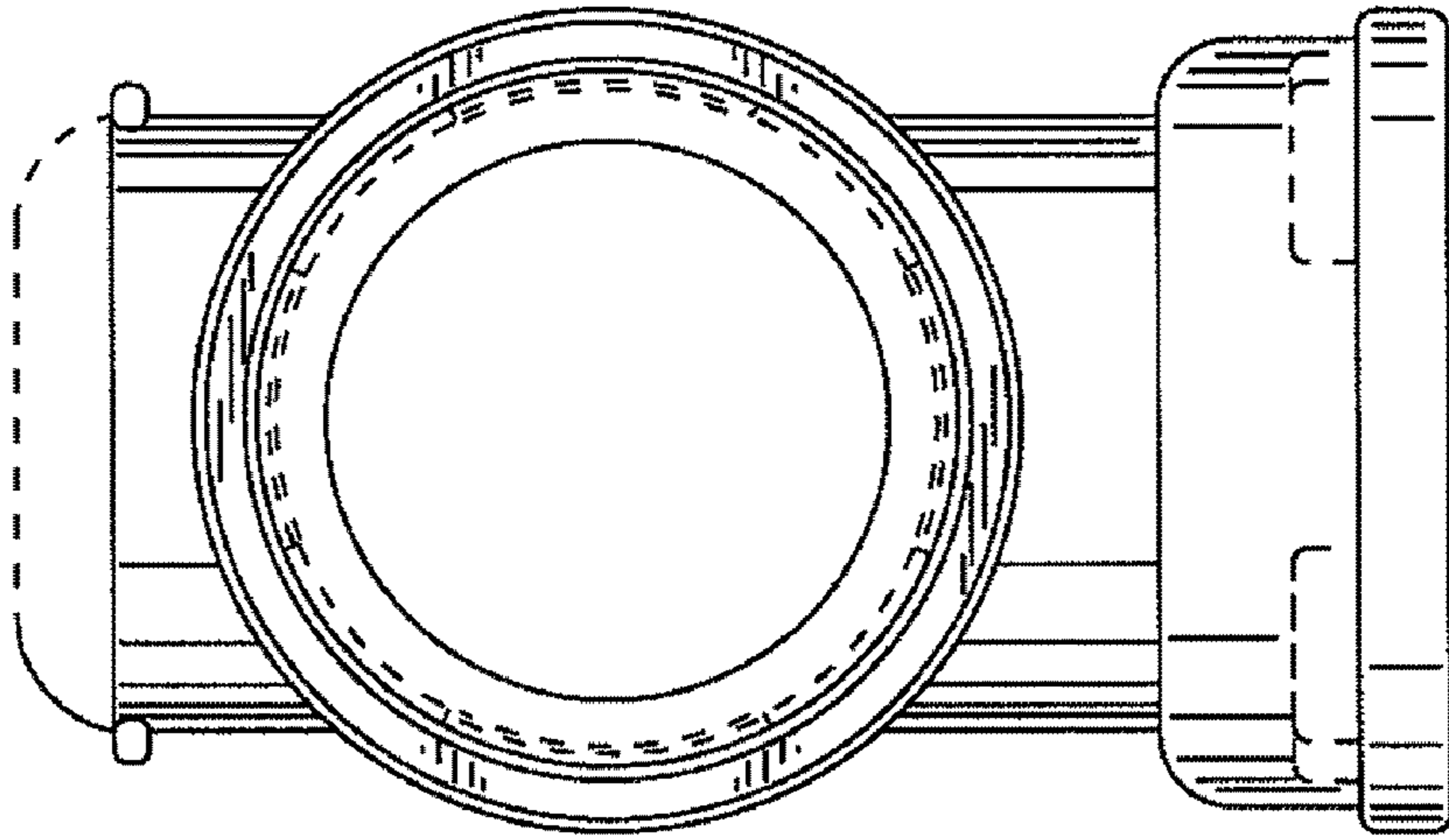


FIG. 2

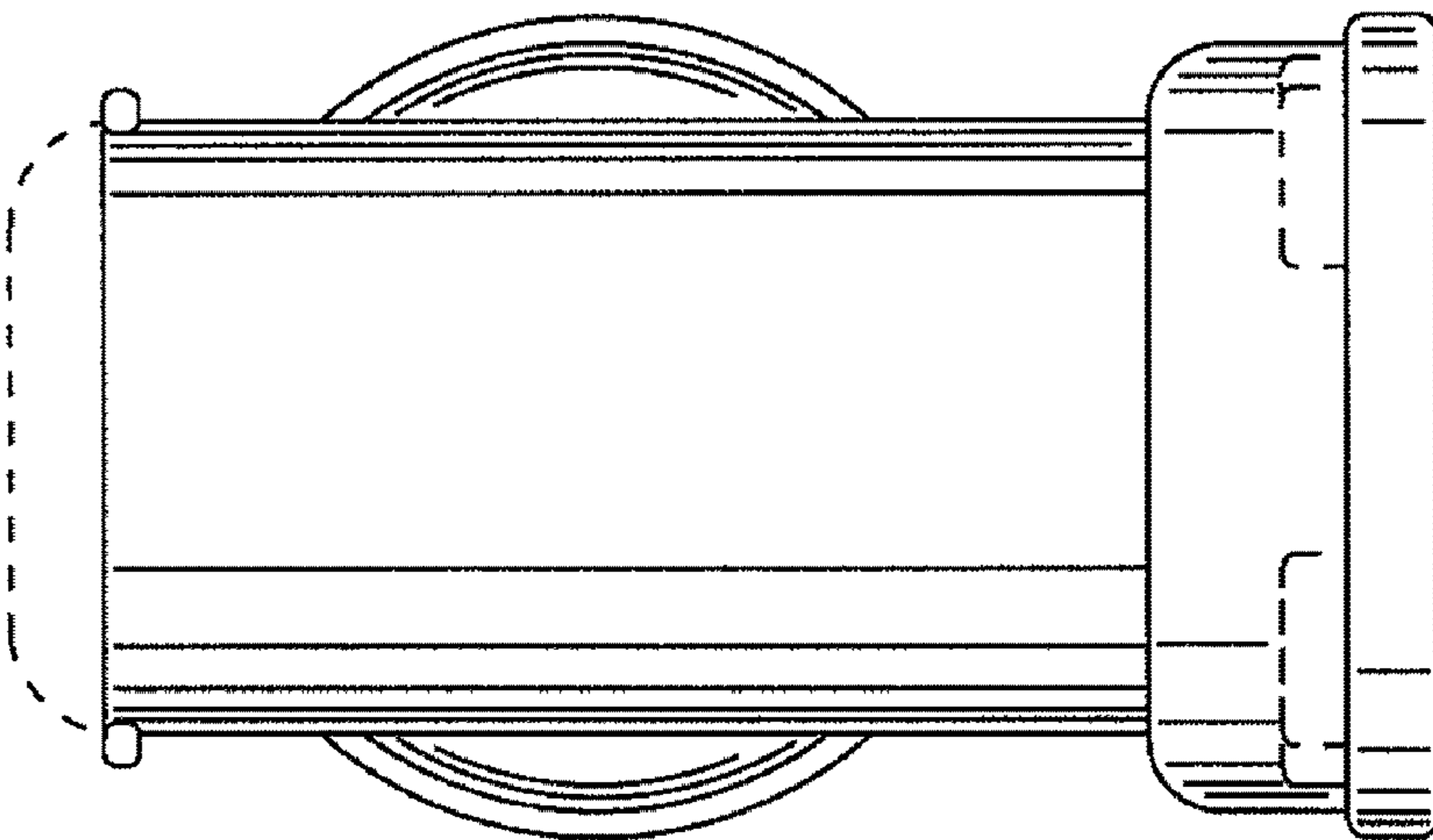


FIG. 6

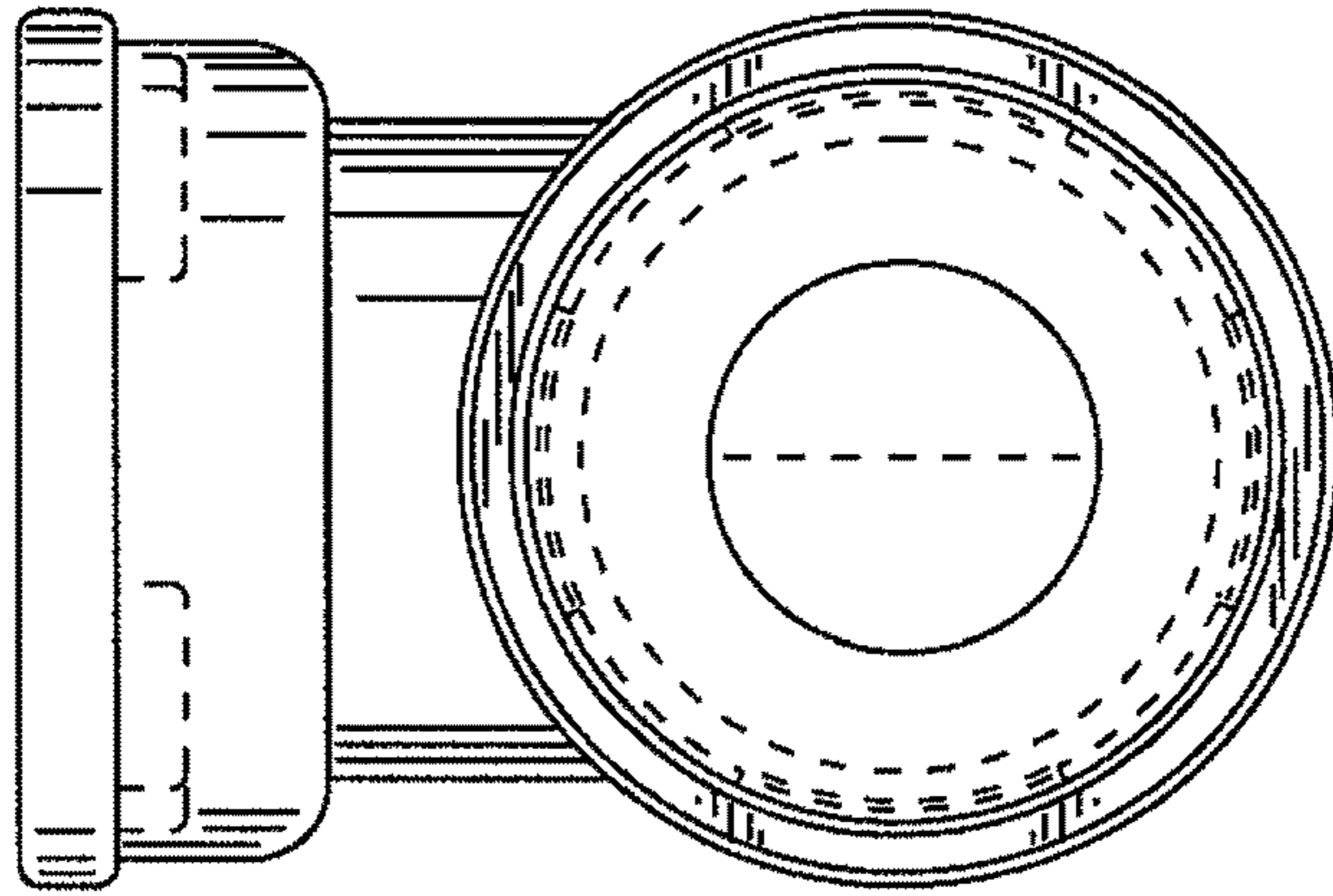


FIG. 3

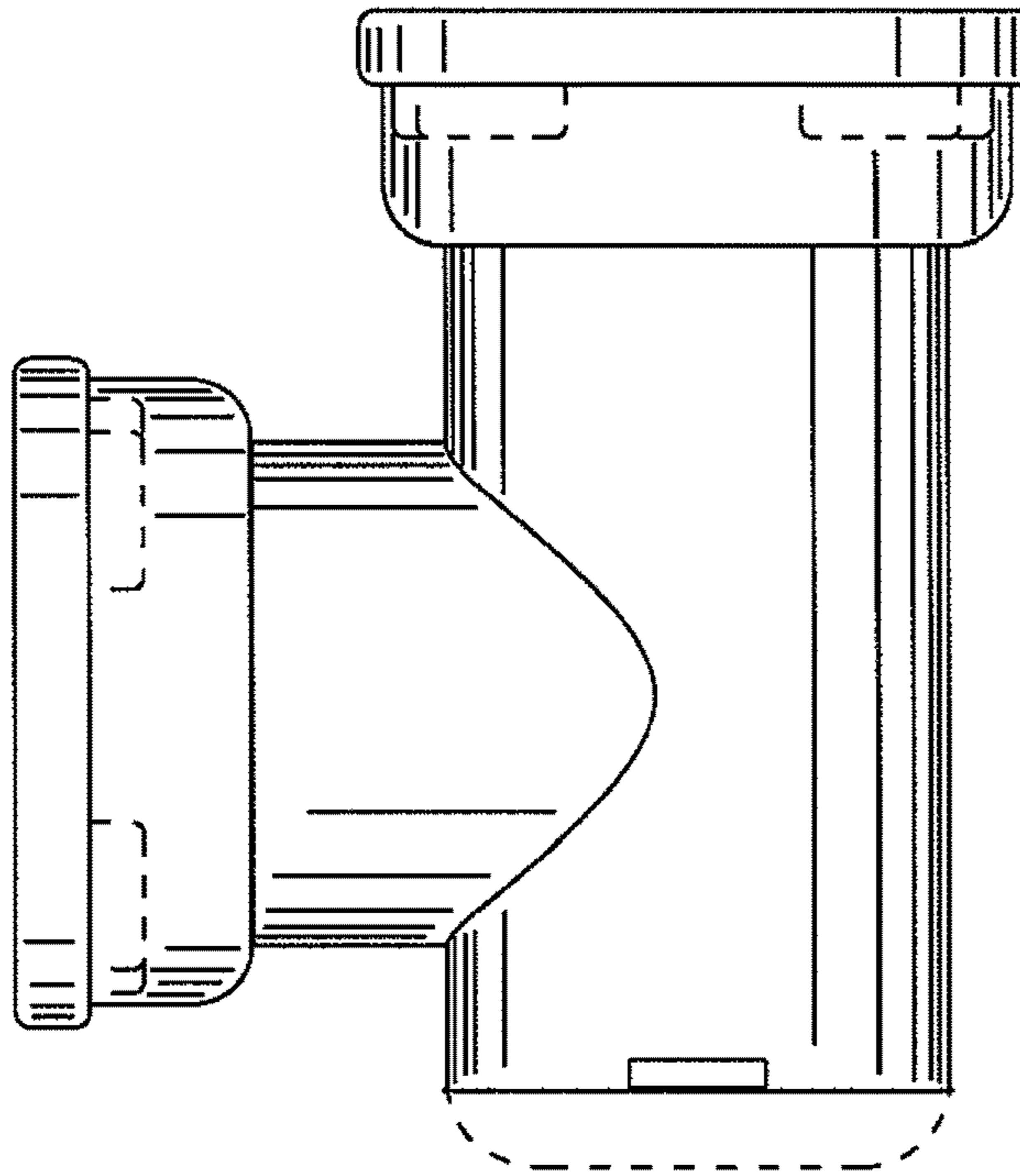


FIG. 4

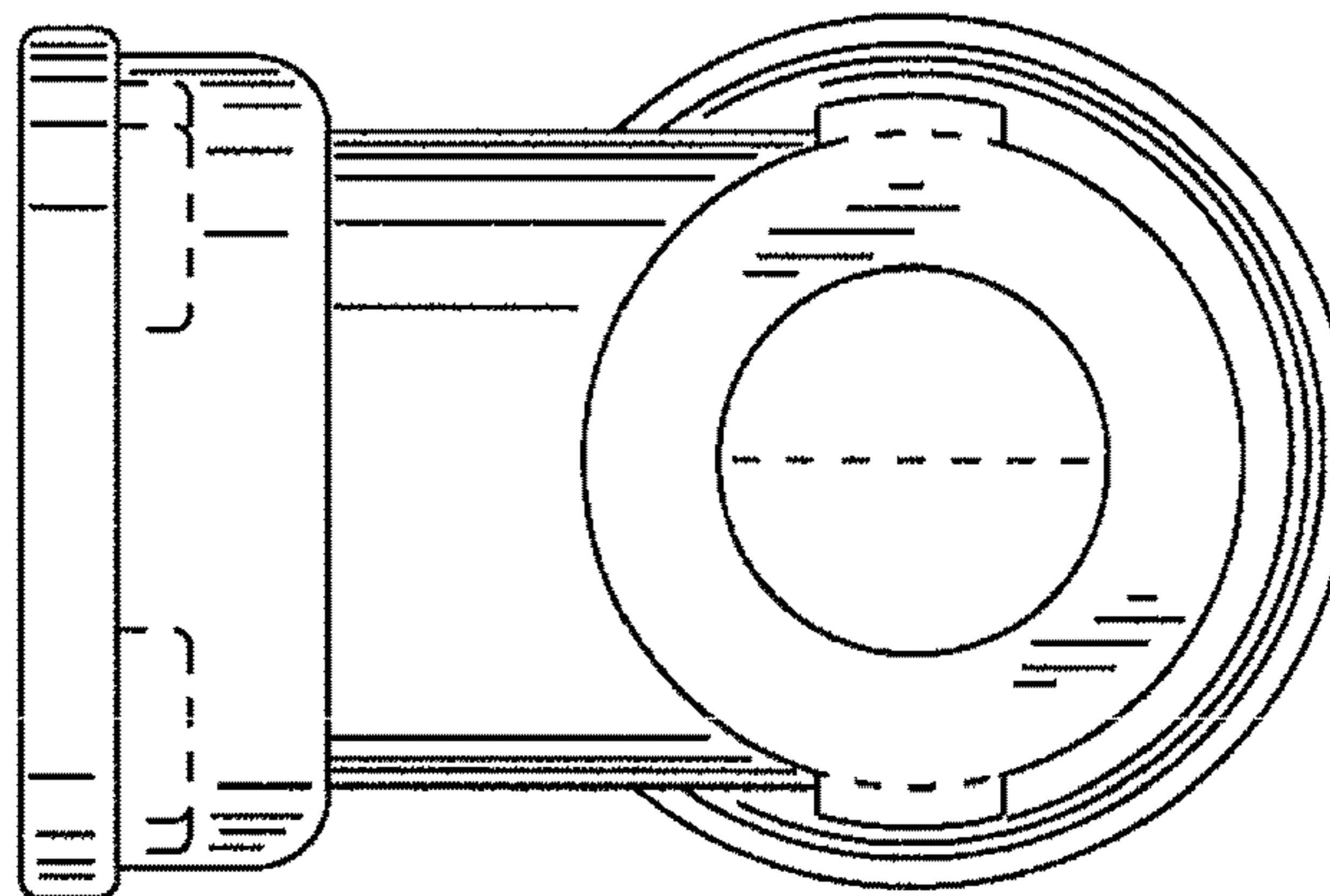


FIG. 5