



US00D638930S

(12) **United States Design Patent**  
**Moehle et al.**

(10) **Patent No.:** **US D638,930 S**

(45) **Date of Patent:** **\*\* May 31, 2011**

(54) **CATHETER INCLUDING POWER  
INJECTABLE LUMEN**

(75) Inventors: **Ryan T. Moehle**, Salt Lake City, UT  
(US); **Jeffrey D. Bright**, Stansbury Park,  
UT (US); **Sunita Pargass**, Salt Lake  
City, UT (US)

(73) Assignee: **C. R. Bard, Inc.**, Murray Hill, NJ (US)

(\*\*) Term: **14 Years**

(21) Appl. No.: **29/322,810**

(22) Filed: **Aug. 12, 2008**

(51) **LOC (9) Cl.** ..... **24-02**

(52) **U.S. Cl.** ..... **D24/112**

(58) **Field of Classification Search** ..... D24/112-114,  
D24/133, 186, 130, 127; 606/181, 185;  
604/164.01-164.09, 533, 232, 187, 168.01,  
604/192, 19, 48, 93.01, 264, 523, 524, 526,  
604/258; 600/101, 139, 143; 128/200.24,  
128/207.14, 207.15

See application file for complete search history.

(56) **References Cited**

U.S. PATENT DOCUMENTS

D318,734	S *	7/1991	Wyzgala	.....	D24/112
5,221,256	A *	6/1993	Mahurkar	.....	604/523
5,378,230	A *	1/1995	Mahurkar	.....	604/523
5,405,341	A *	4/1995	Martin	.....	604/523
5,486,159	A *	1/1996	Mahurkar	.....	604/264
5,718,678	A *	2/1998	Fleming, III	.....	604/523
6,916,313	B2 *	7/2005	Cunningham	.....	604/533

6,969,381	B2 *	11/2005	Voorhees	.....	604/264
6,991,625	B1 *	1/2006	Gately et al.	.....	604/523
7,300,430	B2 *	11/2007	Wilson et al.	.....	604/523
D581,529	S *	11/2008	Moehle et al.	.....	D24/130
7,500,949	B2 *	3/2009	Gottlieb et al.	.....	604/264
7,556,612	B2 *	7/2009	Voorhees	.....	604/264
7,704,239	B2 *	4/2010	Raulerson et al.	.....	604/258
7,740,616	B2 *	6/2010	Smith et al.	.....	604/523
7,753,868	B2 *	7/2010	Hoffa	.....	604/264
D622,379	S *	8/2010	Singh	.....	D24/130
7,806,889	B2 *	10/2010	Raulerson et al.	.....	604/523

\* cited by examiner

*Primary Examiner* — David Muller

(74) *Attorney, Agent, or Firm* — Rutan & Tucker, LLP

(57) **CLAIM**

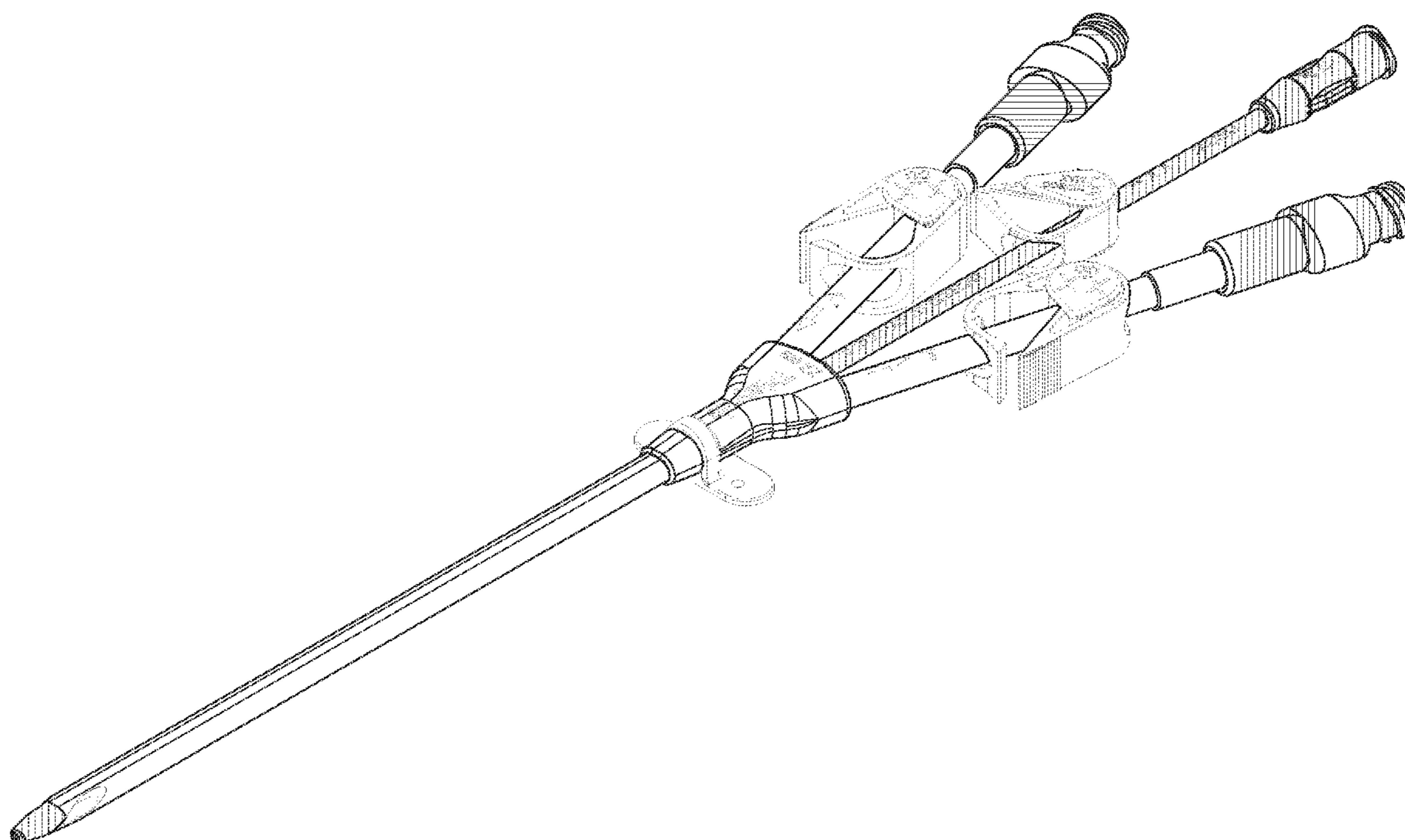
The ornamental design for a catheter including power injectable lumen, as shown and described.

**DESCRIPTION**

FIG. 1 is a perspective view of a catheter including a power injectable lumen, lined for color;  
FIG. 2 is another perspective view thereof;  
FIG. 3 is a left side elevation view thereof;  
FIG. 4 is a top view thereof;  
FIG. 5 is a front elevation view thereof, shown at a larger scale;  
FIG. 6 is a rear elevation view thereof, shown at a larger scale;  
FIG. 7 is a right side elevation view thereof; and,  
FIG. 8 is a bottom view thereof.

The broken line showing of parts of the drawings is included for the purpose of illustrating use and environment and forms no part of the claimed design.

**1 Claim, 5 Drawing Sheets**



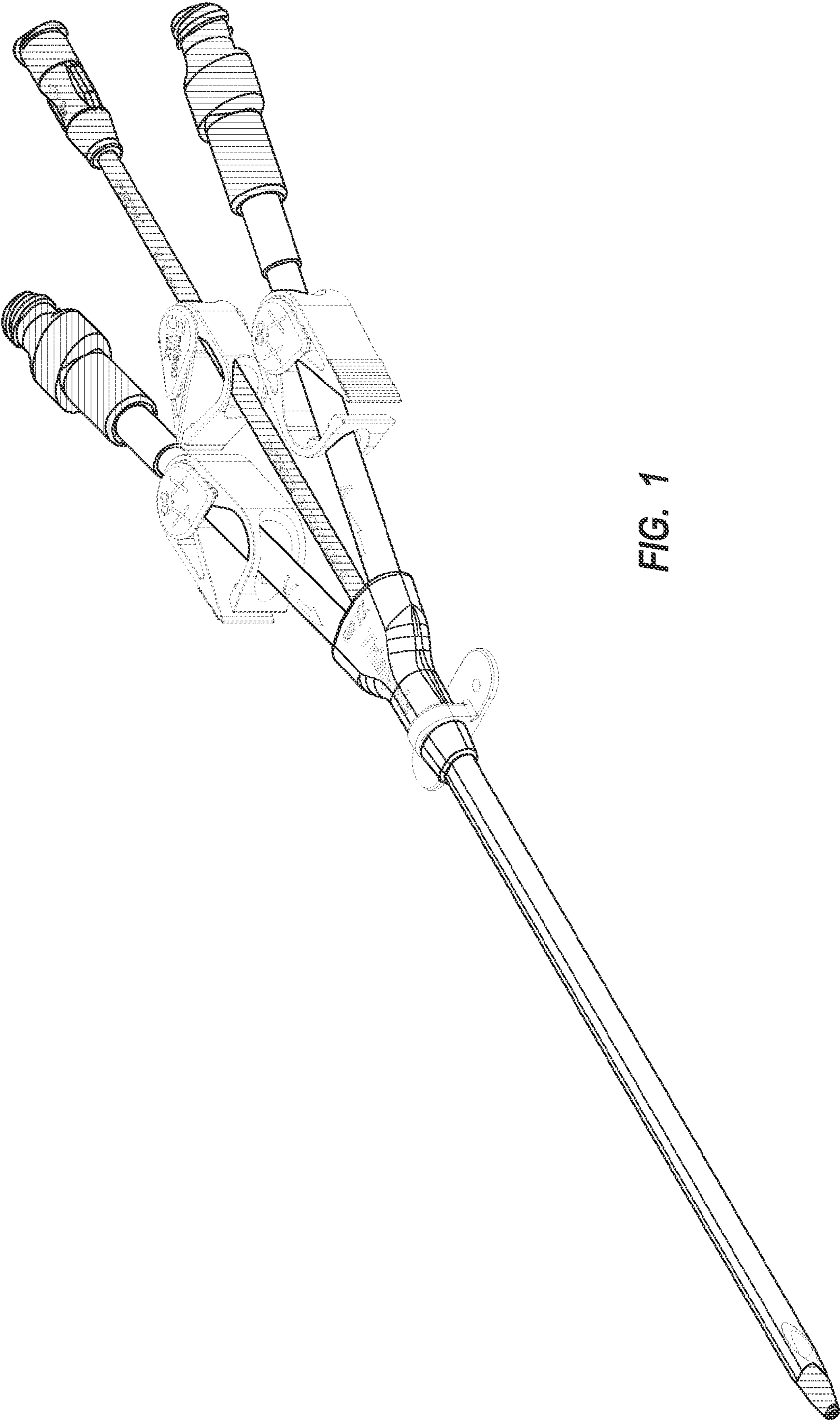


FIG. 1

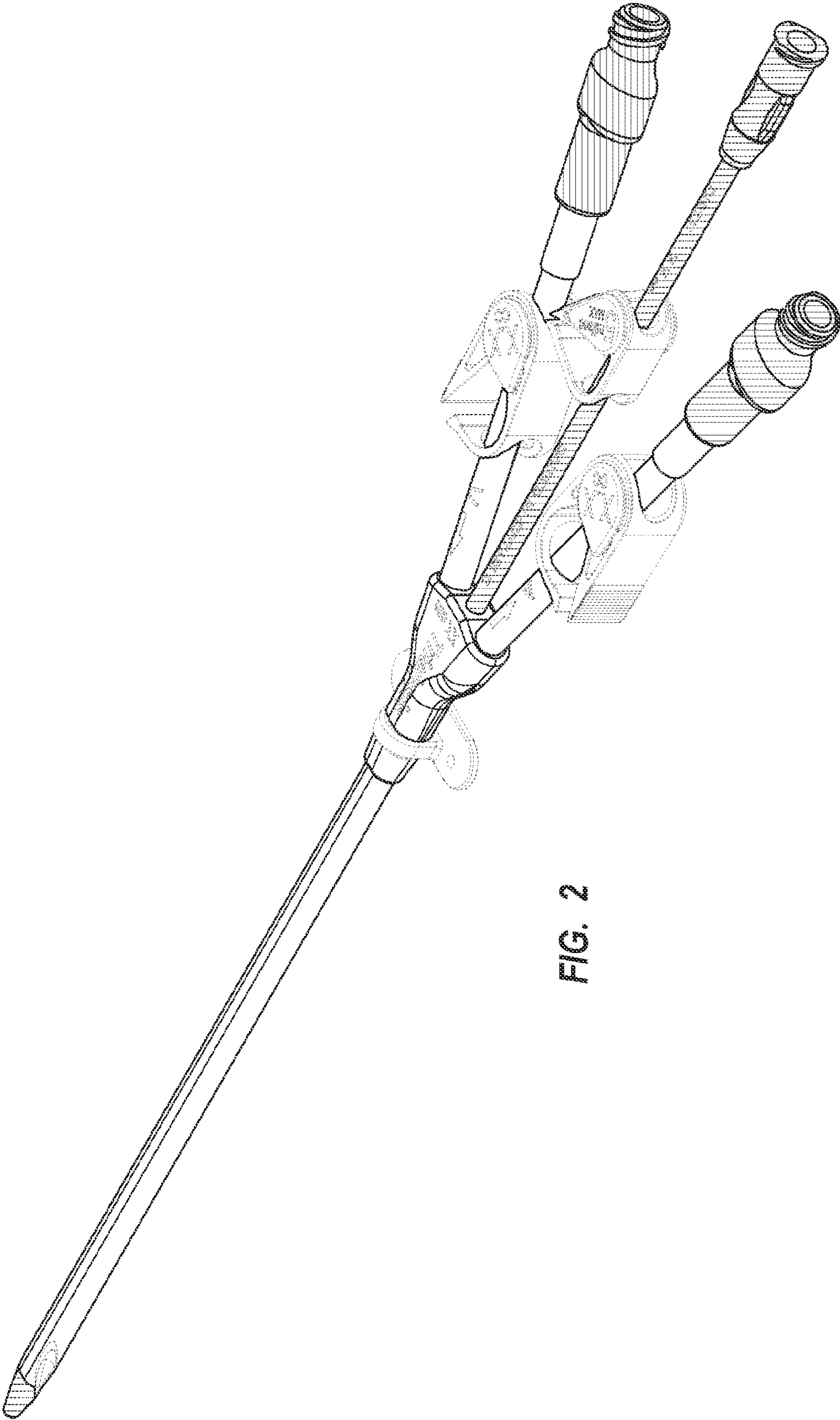


FIG. 2

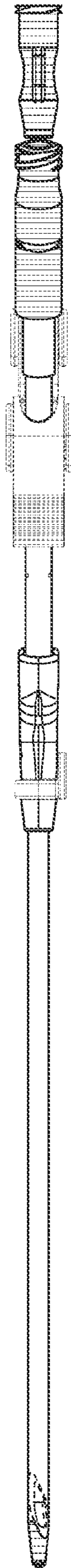


FIG. 3

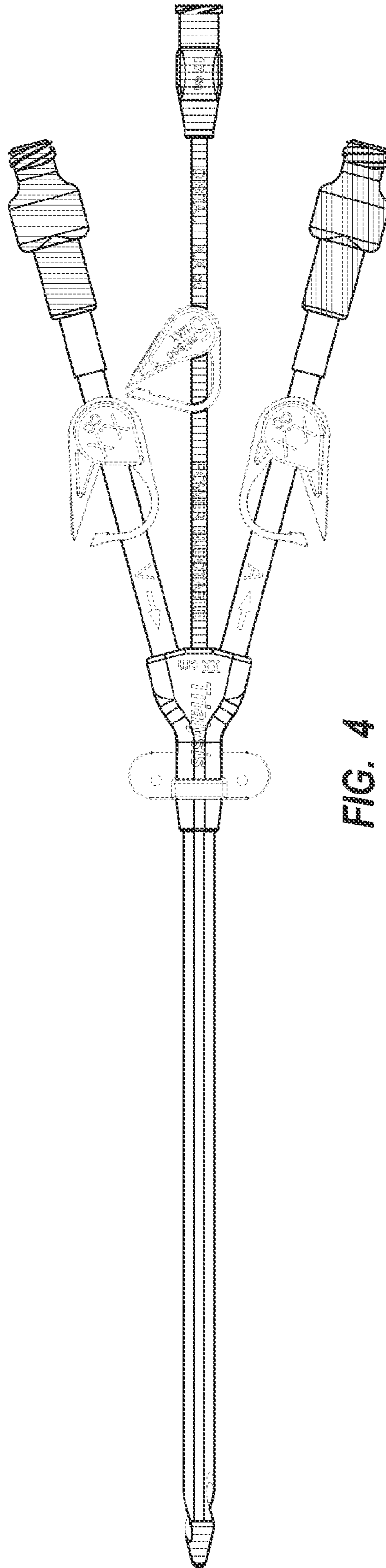


FIG. 4

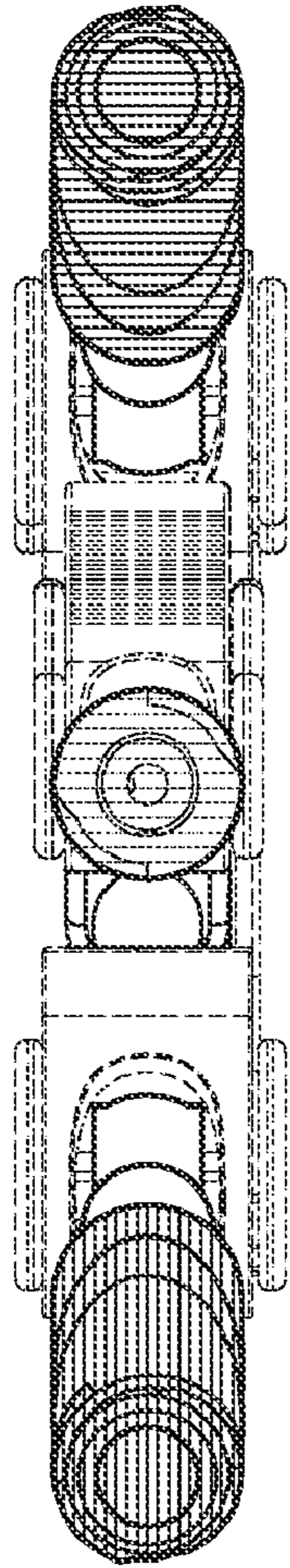


FIG. 5

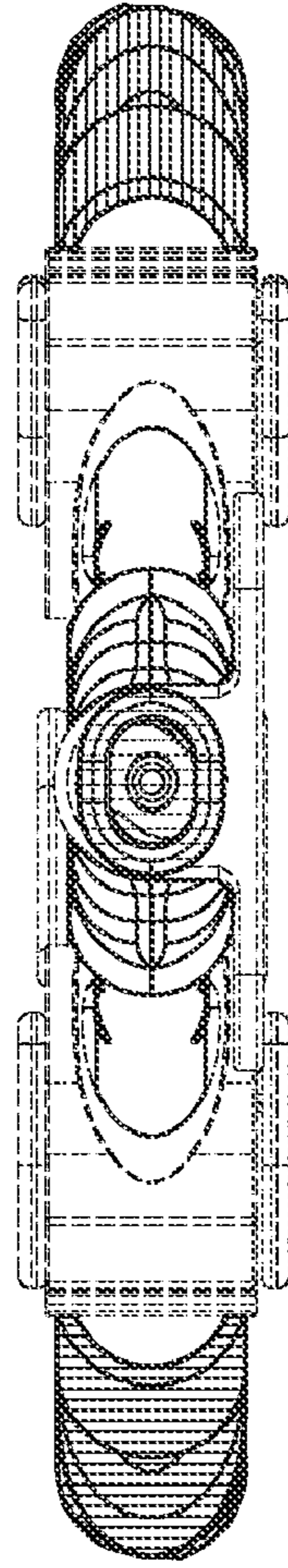


FIG. 6

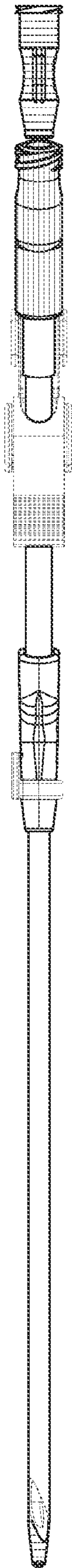


FIG. 7

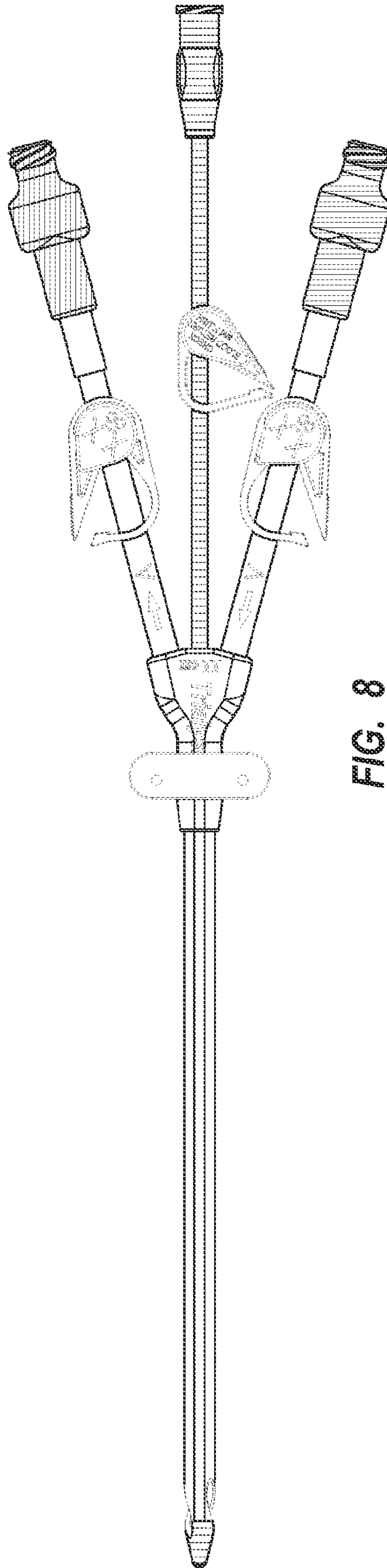


FIG. 8