



US00D638927S

(12) **United States Design Patent**  
**Kidane**

(10) **Patent No.:** **US D638,927 S**

(45) **Date of Patent:** **\*\* May 31, 2011**

(54) **APPARATUS FOR HEATING**

(76) **Inventor:** **Mehreteab Kidane**, Lynnwood, WA  
(US)

(\*\*) **Term:** **14 Years**

(21) **Appl. No.:** **29/353,887**

(22) **Filed:** **Jan. 15, 2010**

(51) **LOC (9) Cl.** ..... **23-03**

(52) **U.S. Cl.** ..... **D23/415**

(58) **Field of Classification Search** ..... D23/403-410,  
D23/415-422, 499, 342-350; D7/346, 402,  
D7/407, 408, 416, 417; 40/798; 44/520,  
44/530; 52/36.3; 126/25 B, 298, 500, 512,  
126/540, 543, 544, 548, 555, 39 E; 160/DIG. 9;  
431/263, 273, 329

See application file for complete search history.

(56) **References Cited**

**U.S. PATENT DOCUMENTS**

1,535,431 A \* 4/1925 Mendelson ..... 239/425.5  
1,951,641 A \* 3/1934 Albree ..... 431/199

D132,279 S \* 5/1942 McCormick ..... D7/407  
2,515,579 A \* 7/1950 Allen ..... 219/454.12  
D162,518 S \* 3/1951 Charbonneau ..... D7/407  
3,826,897 A \* 7/1974 Behr et al. .... 219/453.12  
5,227,611 A \* 7/1993 Allatt et al. .... 219/454.12  
D468,963 S \* 1/2003 Pai ..... D7/407  
2007/0099134 A1 \* 5/2007 Hamada et al. .... 431/12  
2010/0313873 A1 \* 12/2010 Zhou et al. .... 126/39 BA

\* cited by examiner

*Primary Examiner* — Karen S Acker

(74) *Attorney, Agent, or Firm* — Priya Sinha Cloutier

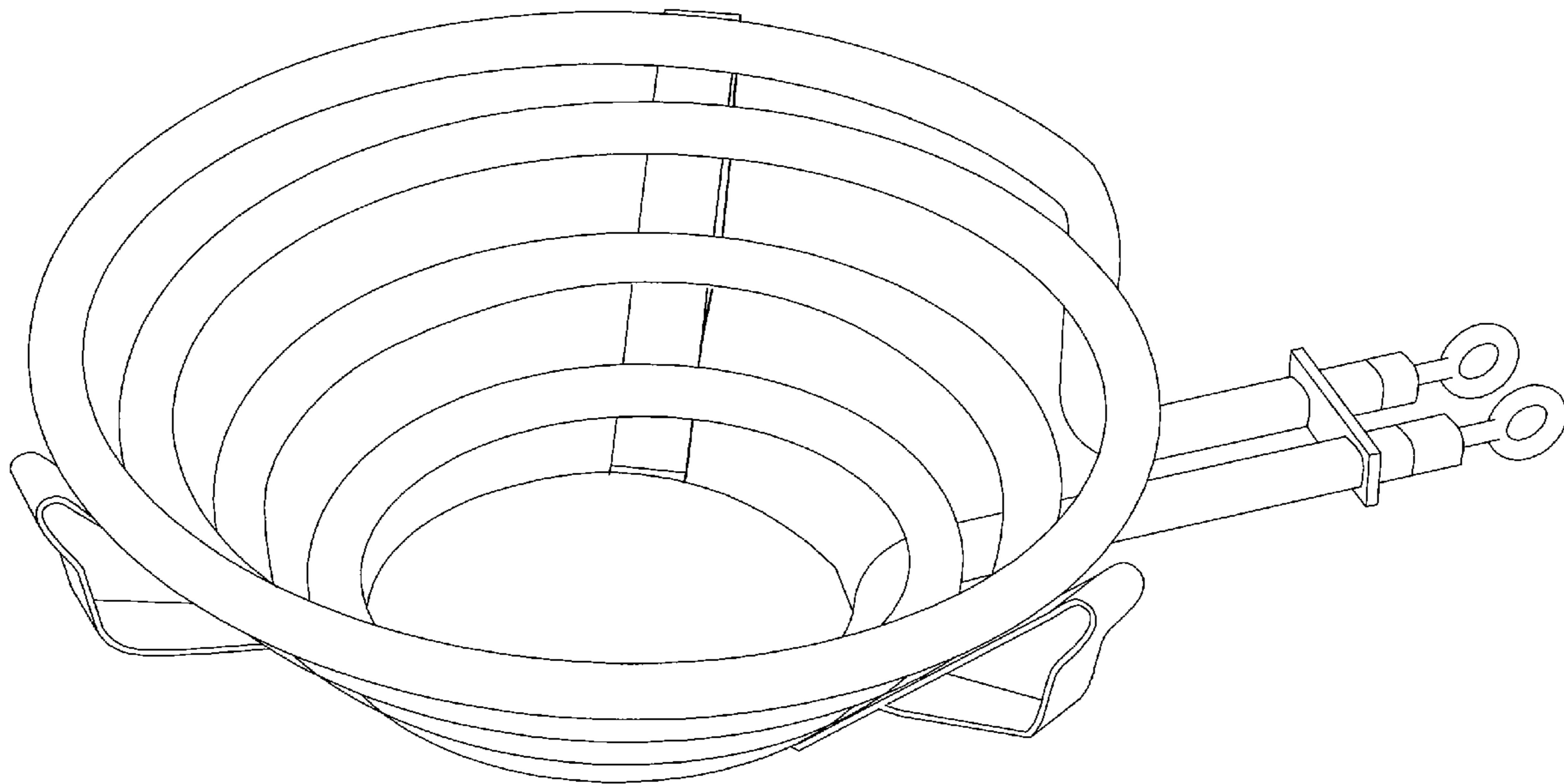
(57) **CLAIM**

The ornamental design for an apparatus for heating, as shown and described.

**DESCRIPTION**

FIG. 1 is a top view of the apparatus for heating;  
FIG. 2 is a side view of the apparatus for heating;  
FIG. 3 is an isometric view of the apparatus for heating; and,  
FIG. 4 is a bottom view of the apparatus for heating.

**1 Claim, 4 Drawing Sheets**



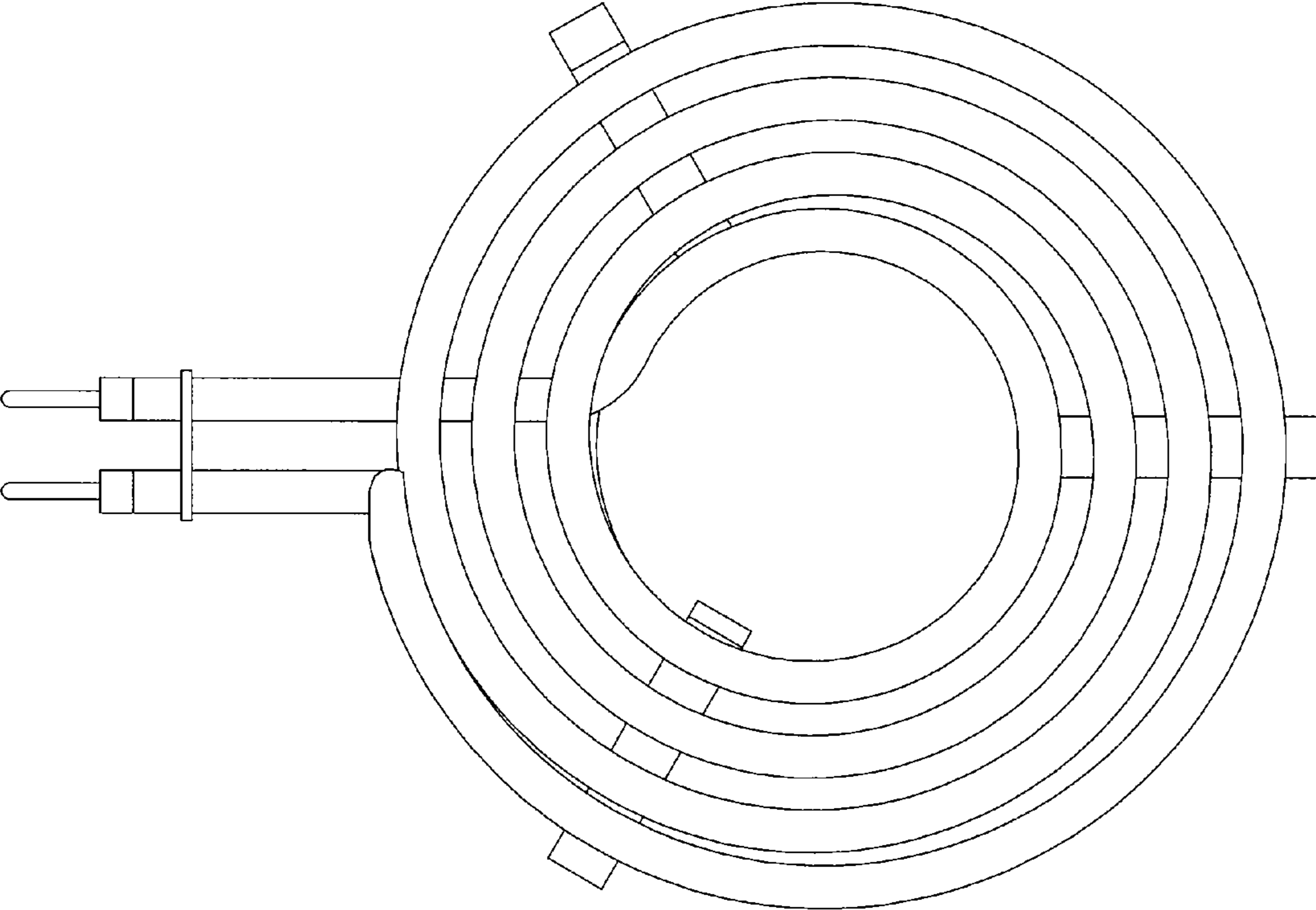


FIGURE 1

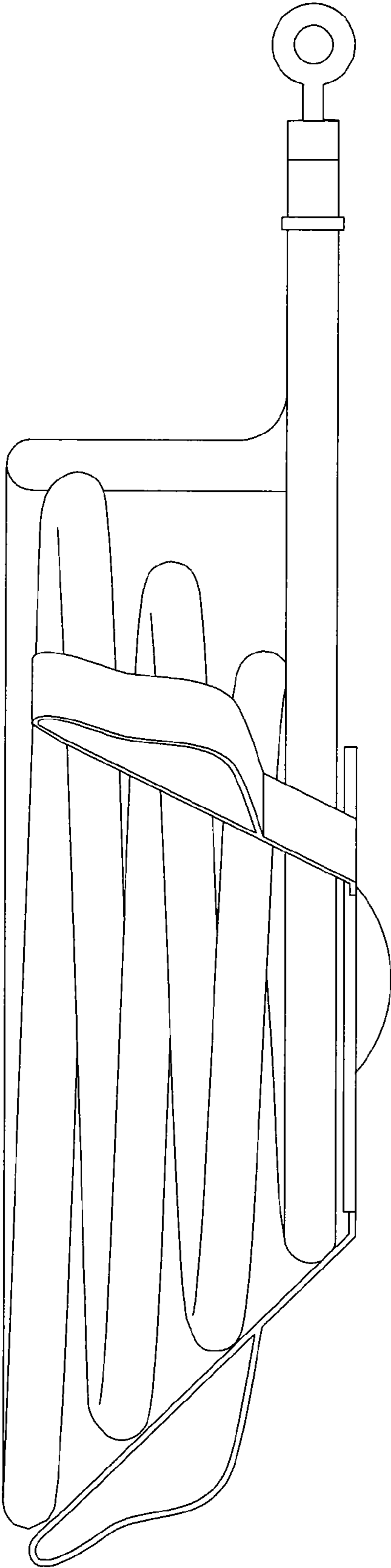


FIGURE 2

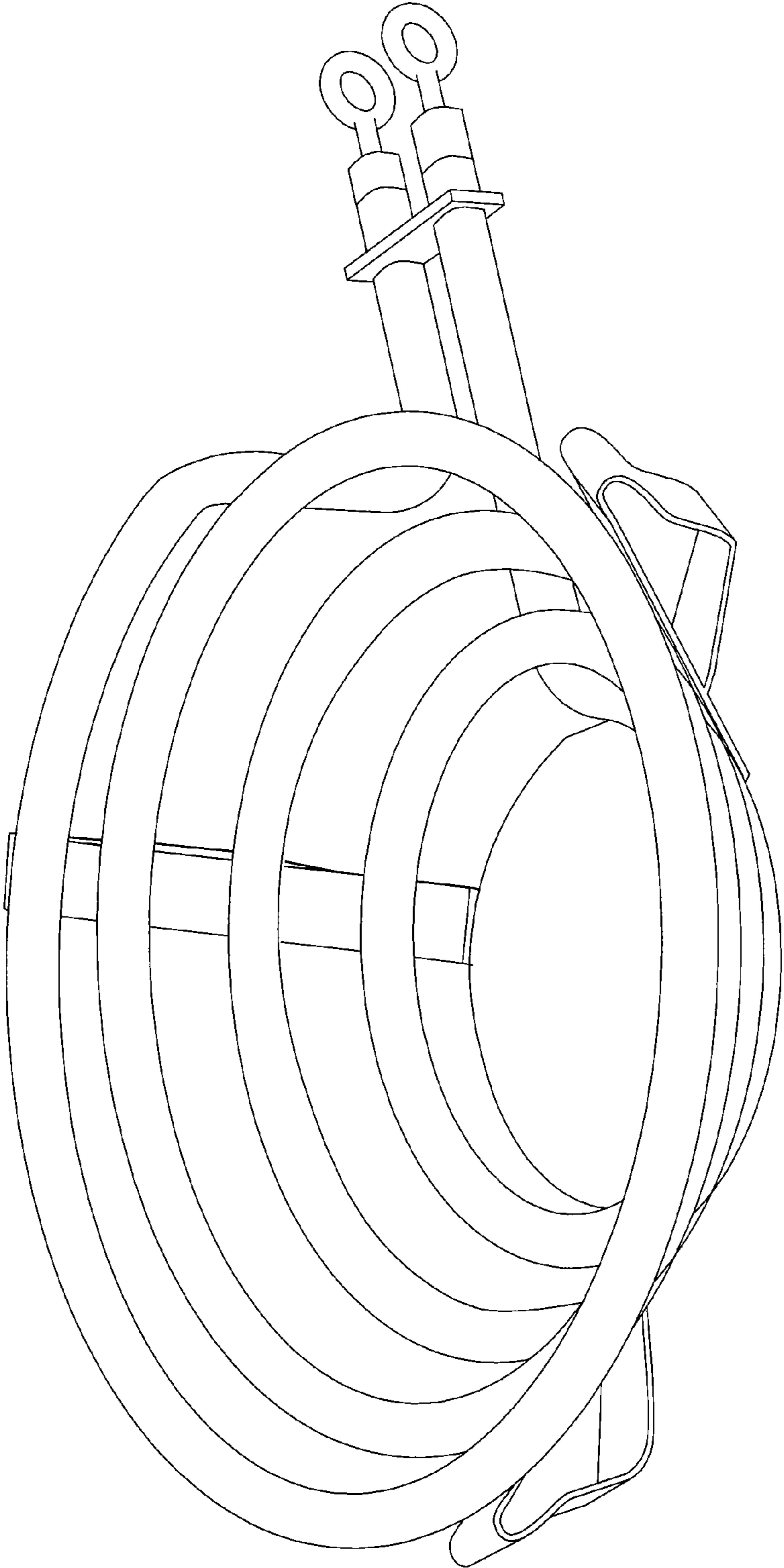


FIGURE 3

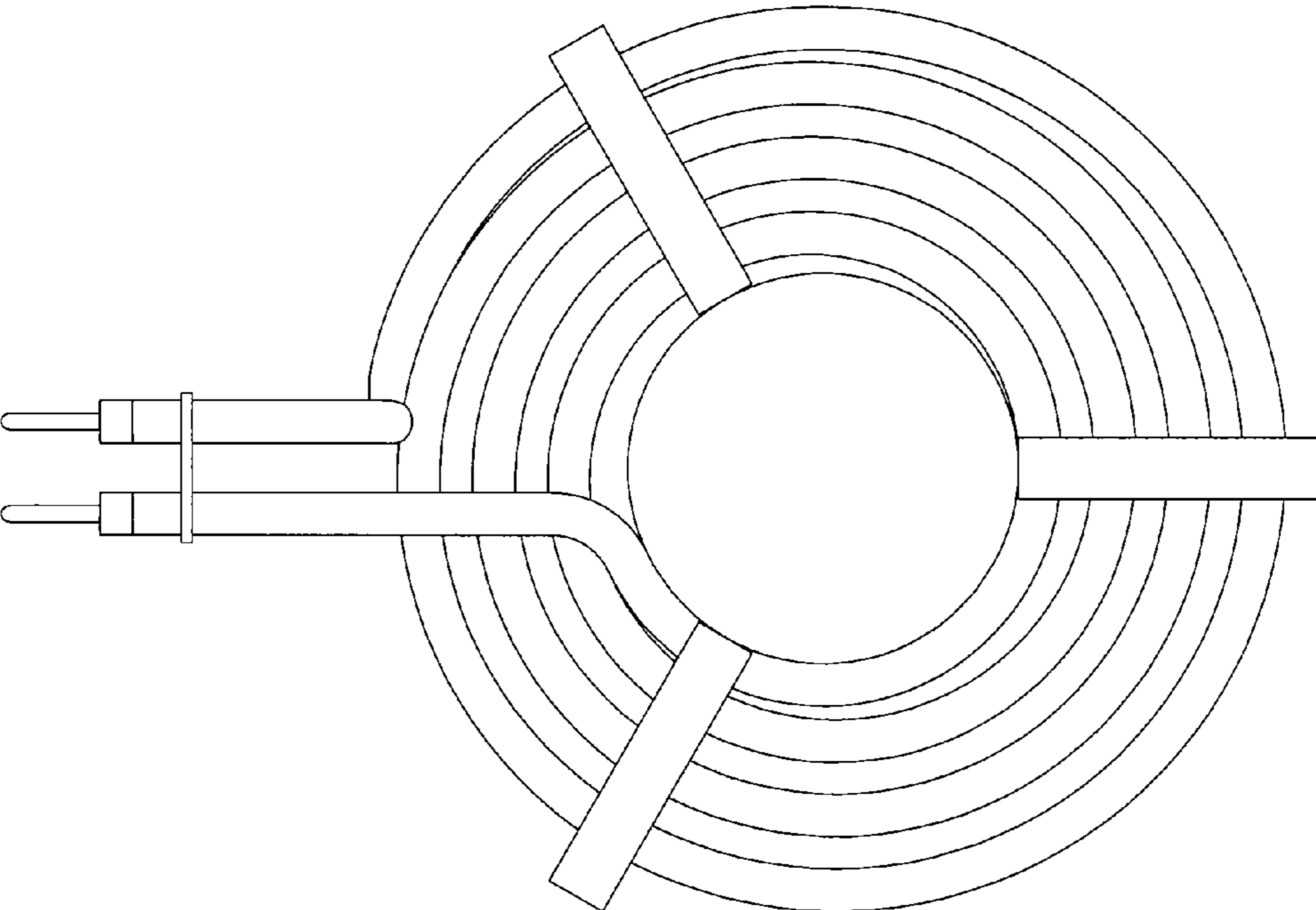


FIGURE 4