



US00D638924S

(12) **United States Design Patent**
Perez et al.

(10) **Patent No.:** **US D638,924 S**

(45) **Date of Patent:** **** May 31, 2011**

(54) **FAN**

(75) Inventors: **Daniel Perez**, Chicago, IL (US); **John Van Akkeren**, Chicago, IL (US)

(73) Assignee: **Sunbeam Products, Inc.**, Boca Raton, FL (US)

(**) Term: **14 Years**

(21) Appl. No.: **29/317,877**

(22) Filed: **May 8, 2008**

(51) **LOC (9) Cl.** **23-04**

(52) **U.S. Cl.** **D23/382**

(58) **Field of Classification Search** D23/411,
D23/370, 381, 382, 332, 412, 335, 328; 416/244 R,
416/247 R

See application file for complete search history.

(56) **References Cited**

U.S. PATENT DOCUMENTS

D306,903 S * 3/1990 Shin-Chin D23/382
D452,304 S * 12/2001 Shapiro D23/382

D482,438 S * 11/2003 Barker et al. D23/382
D538,421 S * 3/2007 Russak et al. D23/382
D621,026 S * 8/2010 Peterson et al. D23/382

* cited by examiner

Primary Examiner — Lisa Lichtenstein

(74) *Attorney, Agent, or Firm* — Seth M. Blum

(57) **CLAIM**

The ornamental design for a fan, as shown and described.

DESCRIPTION

FIG. 1 is a front left perspective view of a fan;

FIG. 2 is a front view thereof;

FIG. 3 is a right side view thereof;

FIG. 4 is a left side view thereof;

FIG. 5 is a top view thereof; and,

FIG. 6 is a bottom view thereof.

The broken line showing of a light assembly, a control knob and feet is included for the purpose of illustrating environmental structure and forms no part of the claimed design.

1 Claim, 4 Drawing Sheets

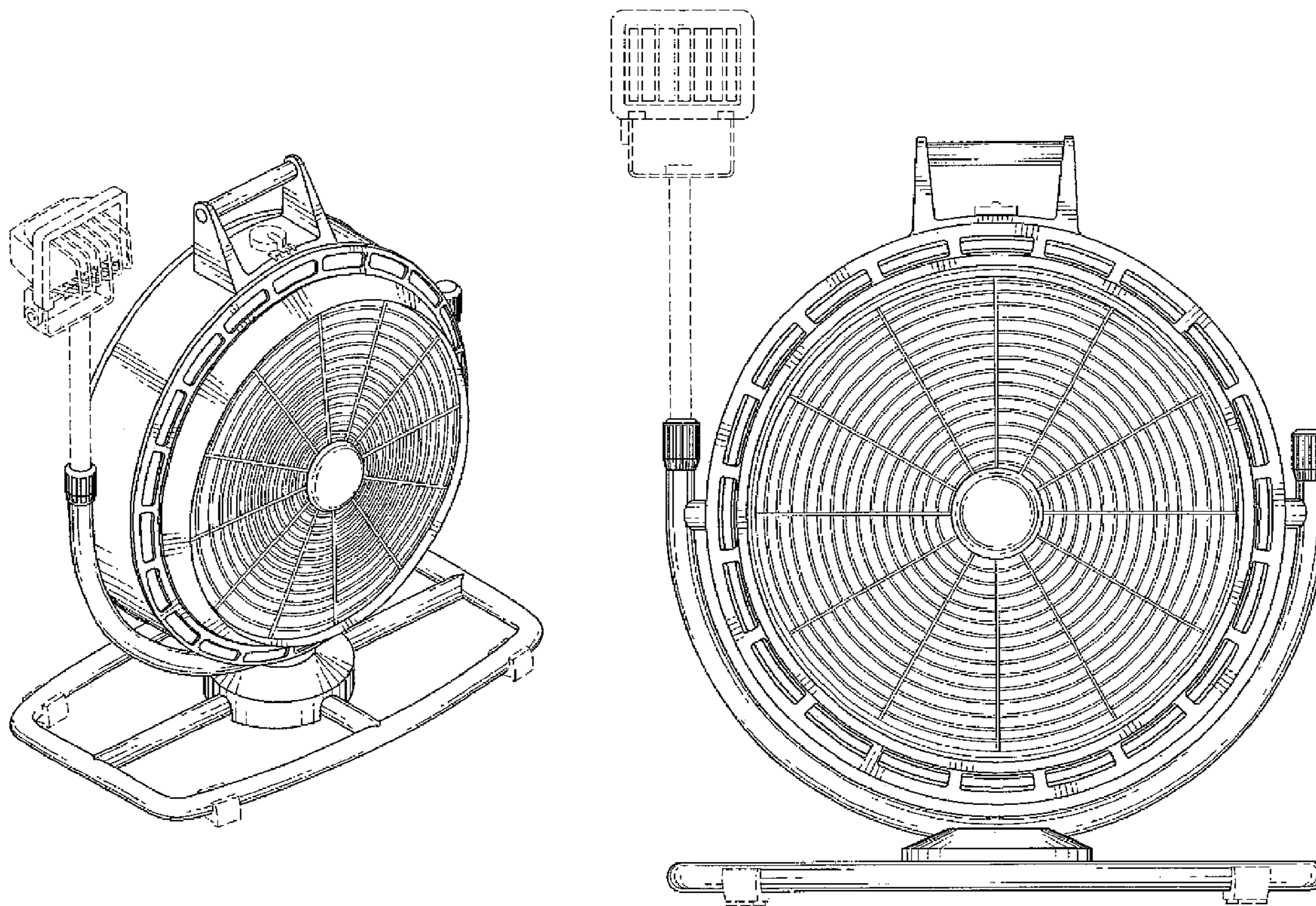


FIG. 1

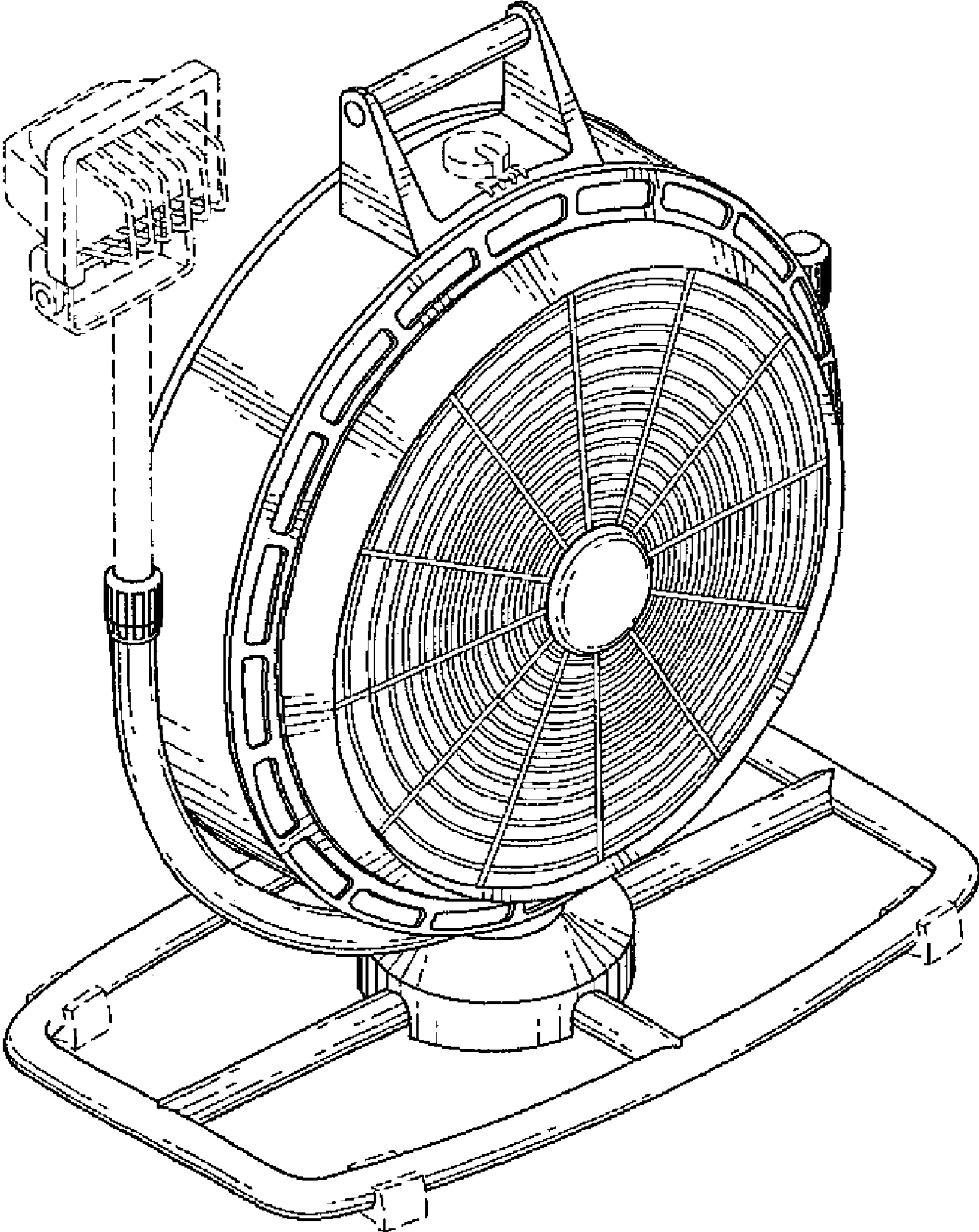


FIG. 2

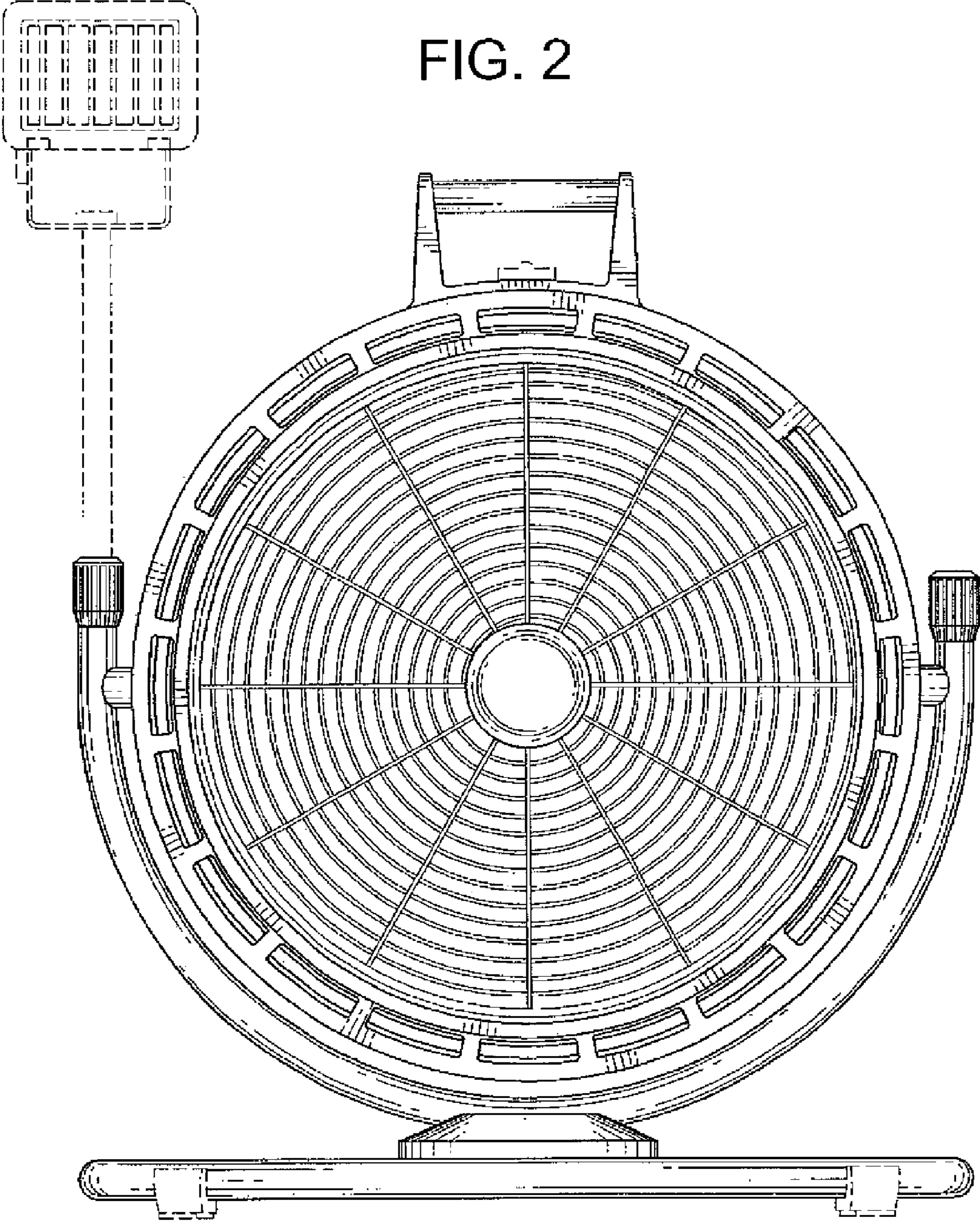


FIG. 3

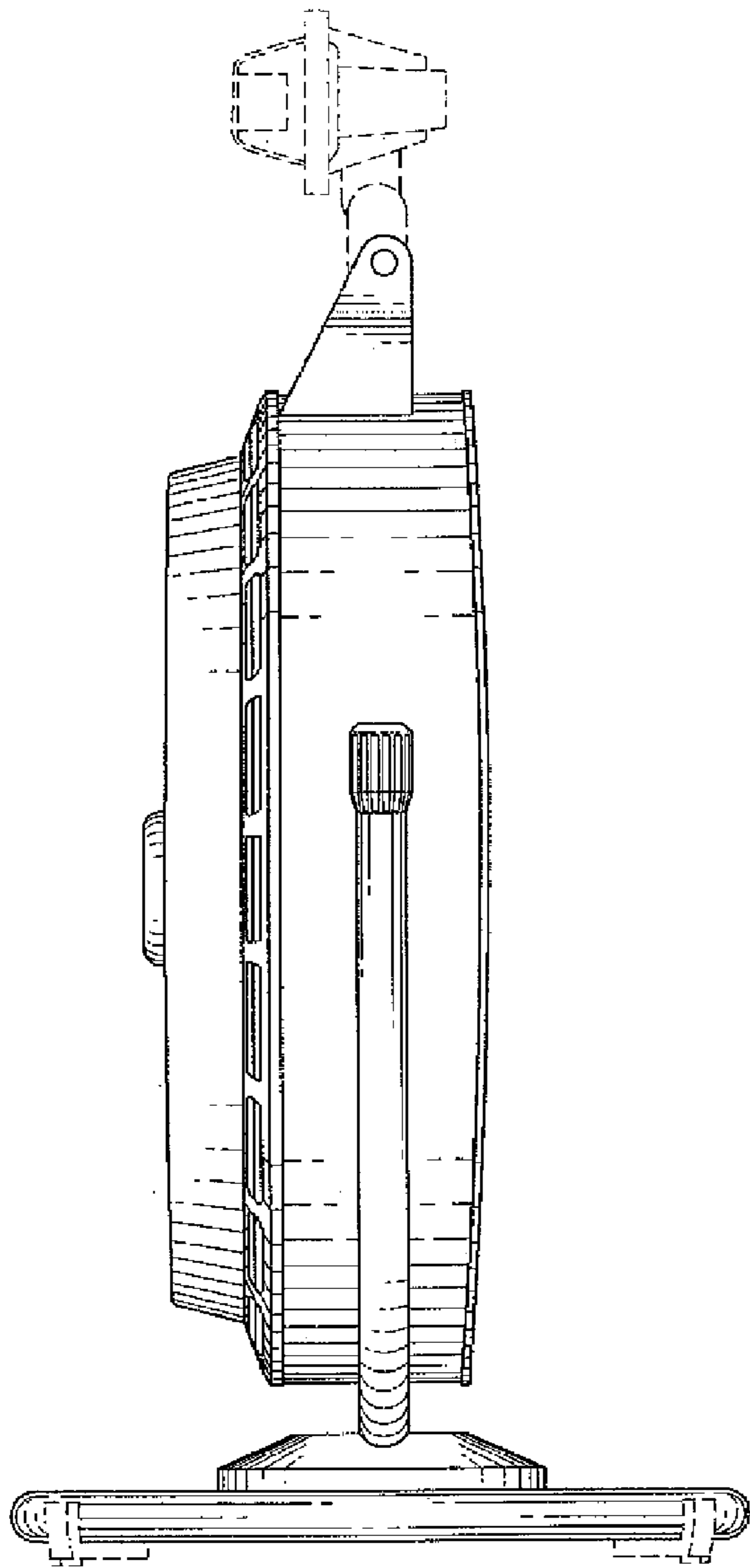


FIG. 4

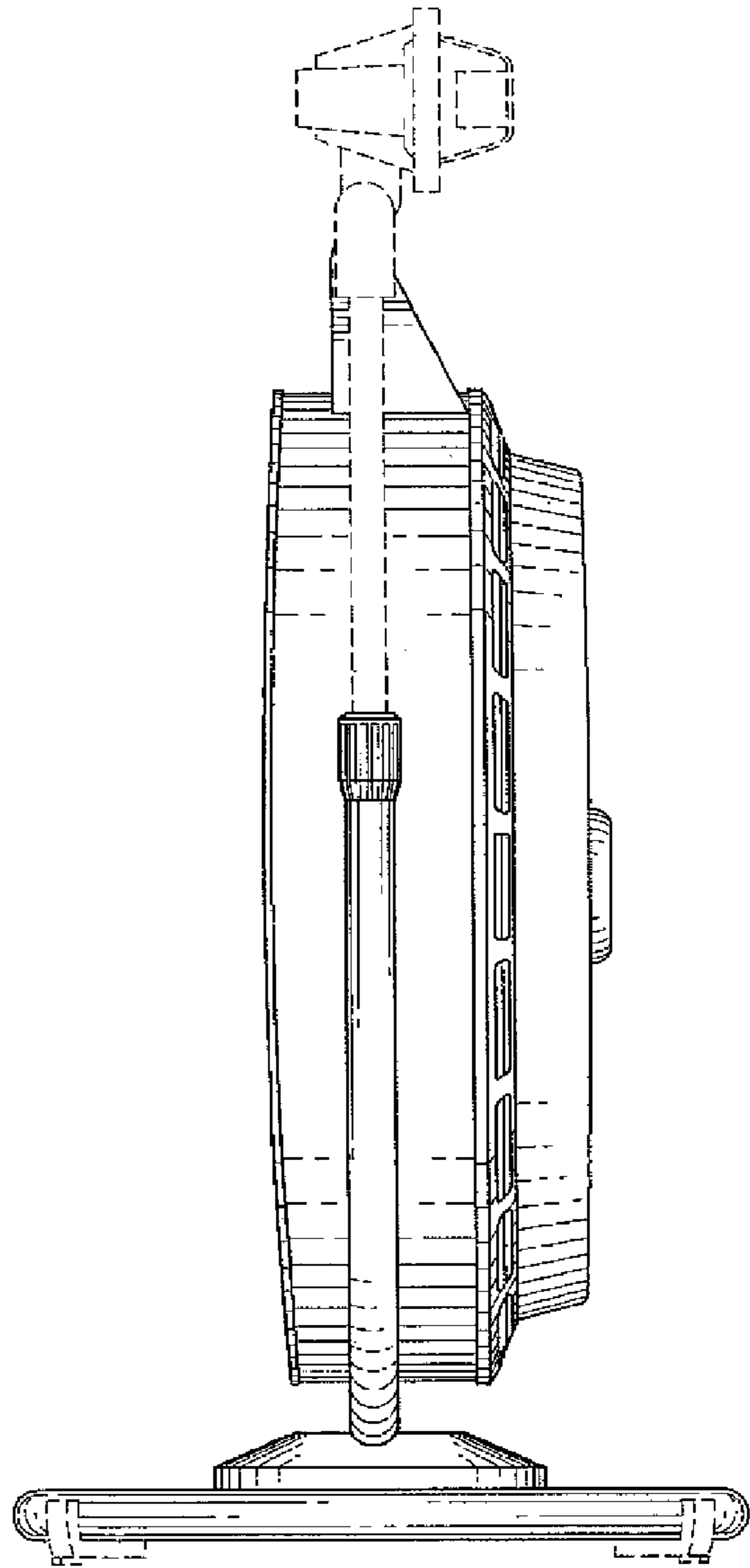


FIG. 5

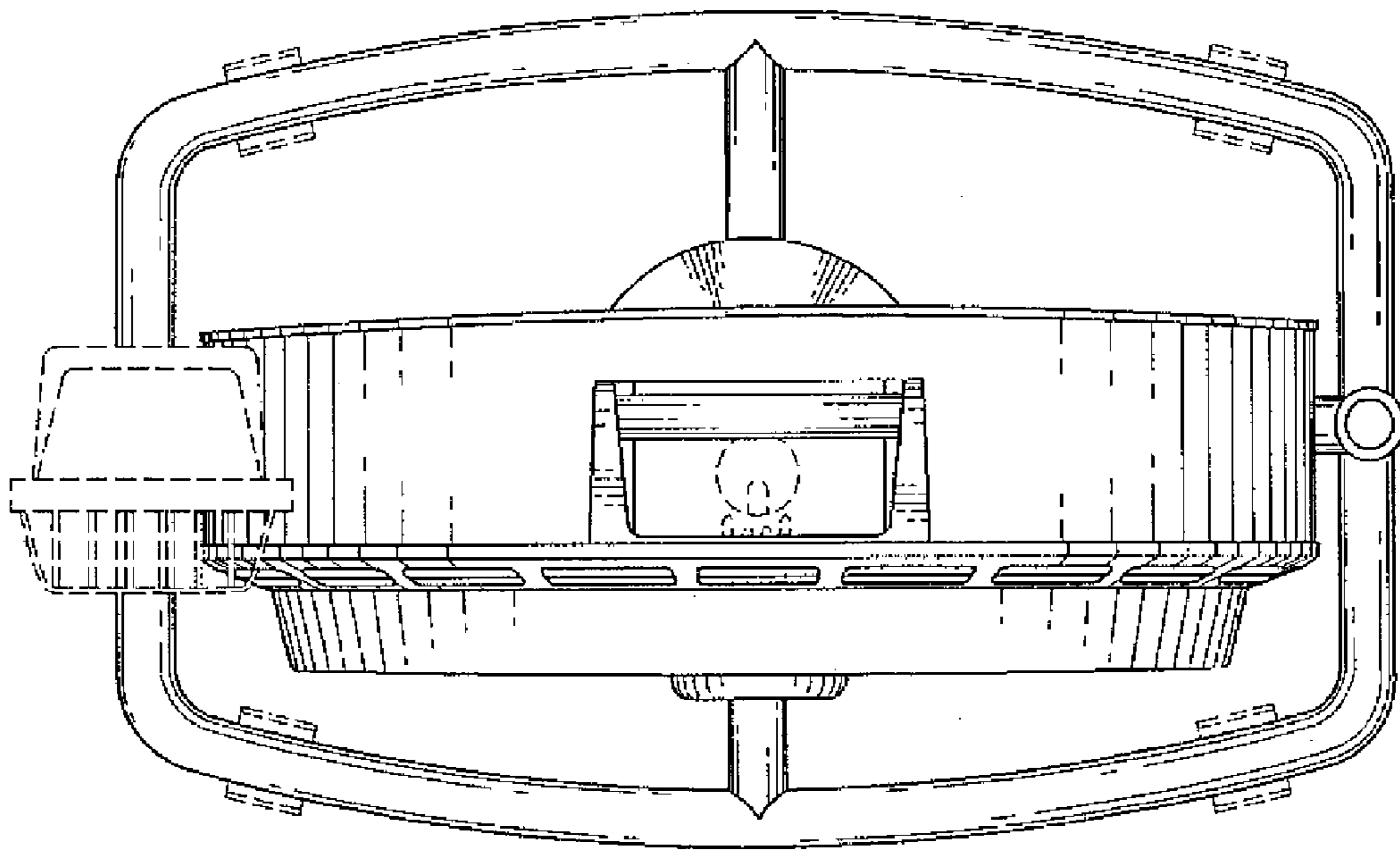


FIG. 6

