



US00D638919S

(12) **United States Design Patent**  
**Grether**

(10) **Patent No.:** **US D638,919 S**

(45) **Date of Patent:** **\*\* May 31, 2011**

(54) **SWIVEL ADAPTER FOR FAUCETS**

(75) Inventor: **Hermann Grether**, Mullheim (DE)

(73) Assignee: **Neoperl GmbH**, Mullheim (DE)

(\*\*) Term: **14 Years**

(21) Appl. No.: **29/363,017**

(22) Filed: **Jun. 3, 2010**

**Related U.S. Application Data**

(62) Division of application No. 29/291,910, filed on Sep. 19, 2007.

(30) **Foreign Application Priority Data**

Mar. 20, 2007 (EM) ..... 000691530

Aug. 8, 2007 (EM) ..... 000771423

(51) **LOC (9) Cl.** ..... **23-01**

(52) **U.S. Cl.** ..... **D23/264**

(58) **Field of Classification Search** ..... D23/223,

D23/229, 259-269; D8/396, 397; 24/279;

285/251-253; 411/372, 910; 239/459, 602,

239/428.5; 261/DIG. 22

See application file for complete search history.

(56) **References Cited**

**U.S. PATENT DOCUMENTS**

1,762,713	A	6/1930	Dill	
1,946,832	A *	2/1934	Brandon	285/8
2,201,065	A *	5/1940	Toolan	403/2
3,210,040	A *	10/1965	Thurlow	251/96
3,226,096	A *	12/1965	Ranson	366/165.2
3,638,968	A *	2/1972	Barks	285/8
D361,371	S	8/1995	McQuillan	

7,051,763	B2 *	5/2006	Heren	137/883
D538,404	S	3/2007	Campbell	
D541,375	S *	4/2007	Buttgen	D23/213
D550,333	S	9/2007	Bamberger et al.	
D556,856	S *	12/2007	Buttgen	D23/213
D563,530	S	3/2008	Moris	
7,398,954	B2 *	7/2008	Heren et al.	251/148
D613,370	S	4/2010	Allard et al.	
D614,270	S	4/2010	Green et al.	
D616,969	S	6/2010	Zore	
2004/0199995	A1 *	10/2004	Bui	4/676
2005/0241706	A1 *	11/2005	Heren	137/883
2006/0017037	A1 *	1/2006	Heren et al.	251/331
2006/0180681	A1 *	8/2006	Lau	239/383
2009/0090661	A1 *	4/2009	Tanner et al.	210/87
2009/0263184	A1 *	10/2009	Riedel et al.	403/301

\* cited by examiner

*Primary Examiner* — T. Chase Nelson

*Assistant Examiner* — Eric L Goodman

(74) *Attorney, Agent, or Firm* — Volpe and Koenig, P.C.

(57) **CLAIM**

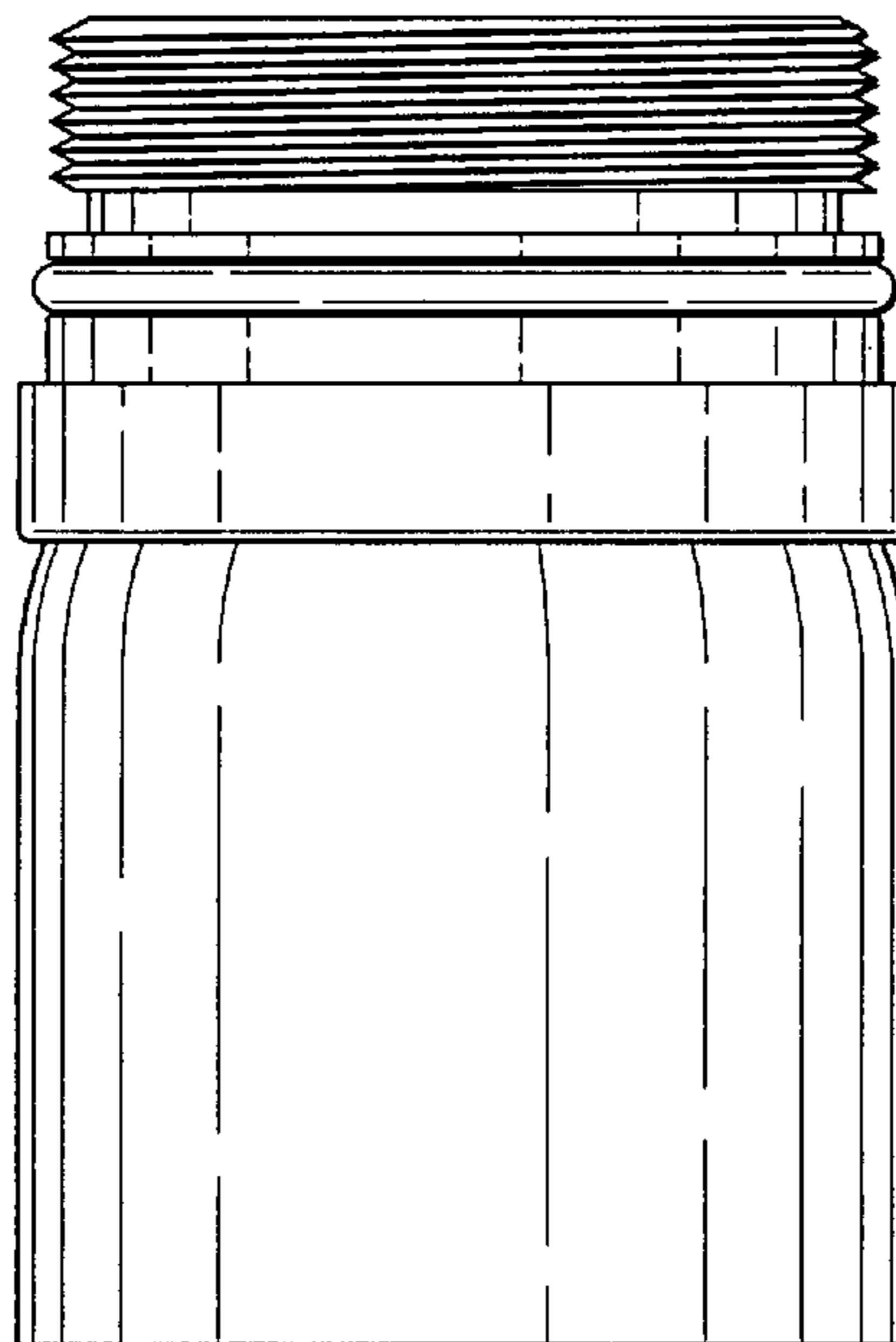
The ornamental design for a swivel adapter for faucets, as shown and described.

**DESCRIPTION**

FIG. 1 is a front elevational view of a swivel adapter for faucets in an unswiveled position showing my new design, which is also representative of a rear elevational view, a left-side elevational view, and a right-side elevational view; FIG. 2 is a bottom plan view thereof; FIG. 3 is a top plan view thereof; and, FIG. 4 is a top perspective view thereof, showing the adapter in a swiveled position.

The broken lines in the drawings are for illustrative purposes only and form no part of the claimed design.

**1 Claim, 3 Drawing Sheets**



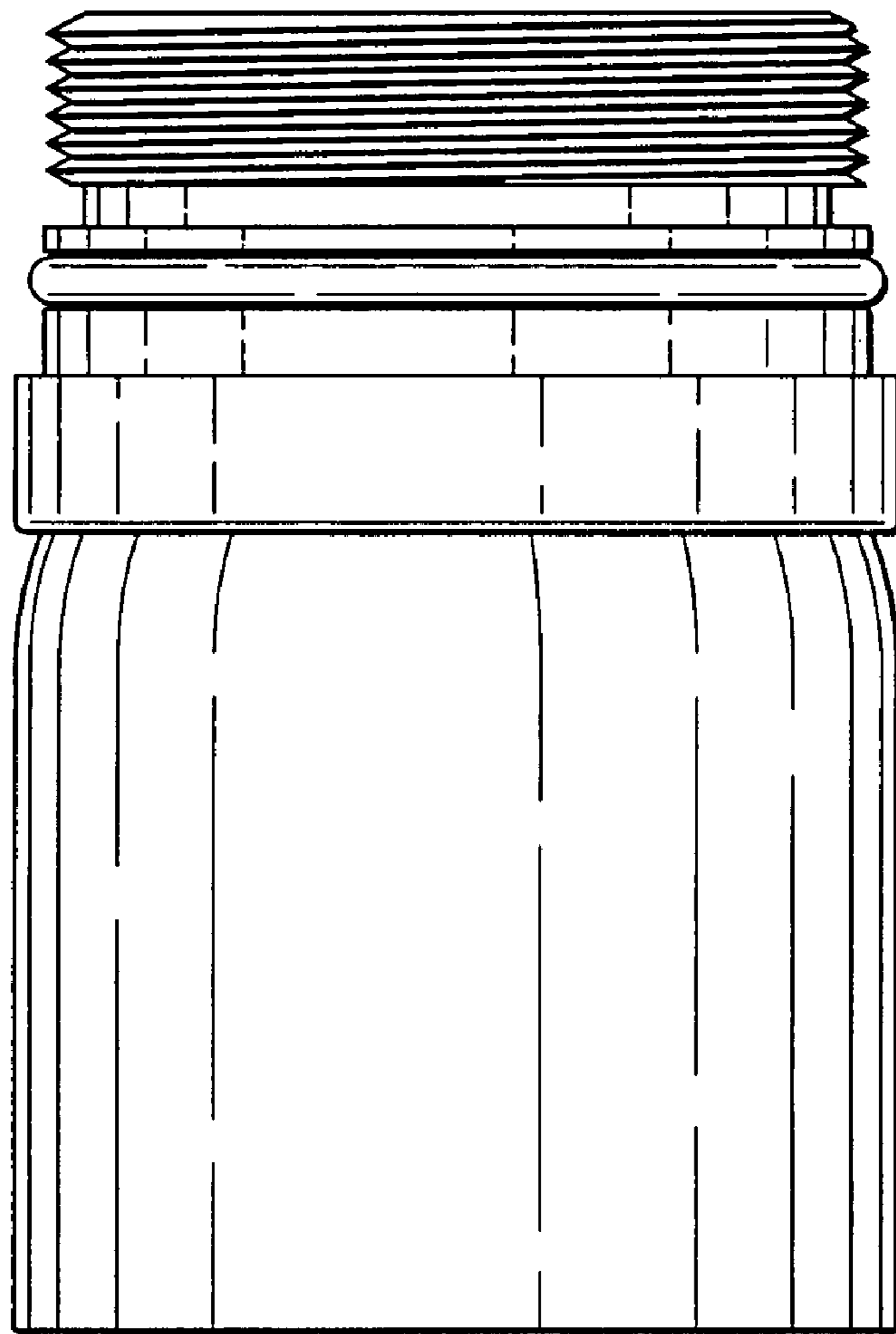
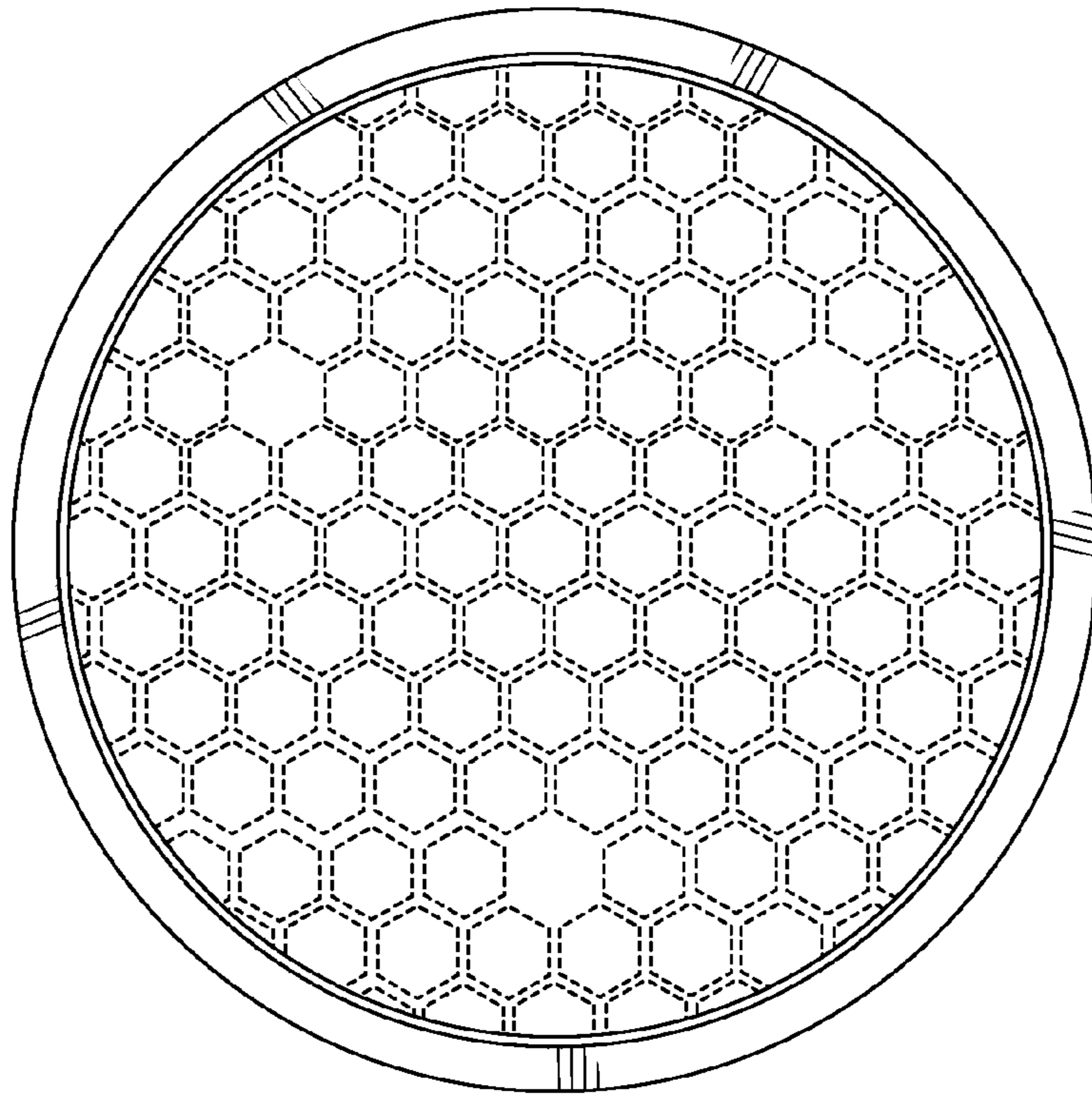
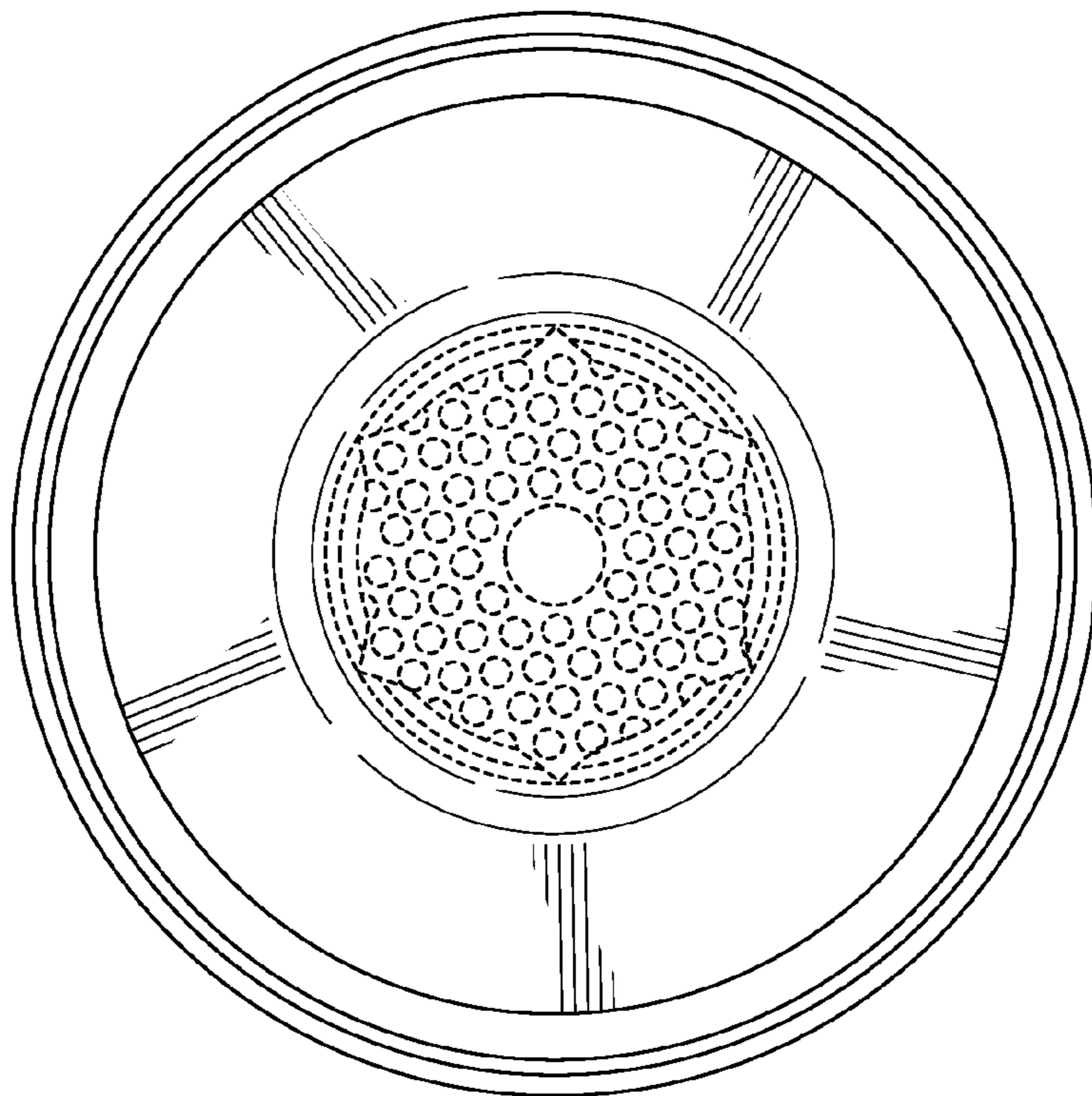


FIG. 1



**FIG. 2**



**FIG. 3**

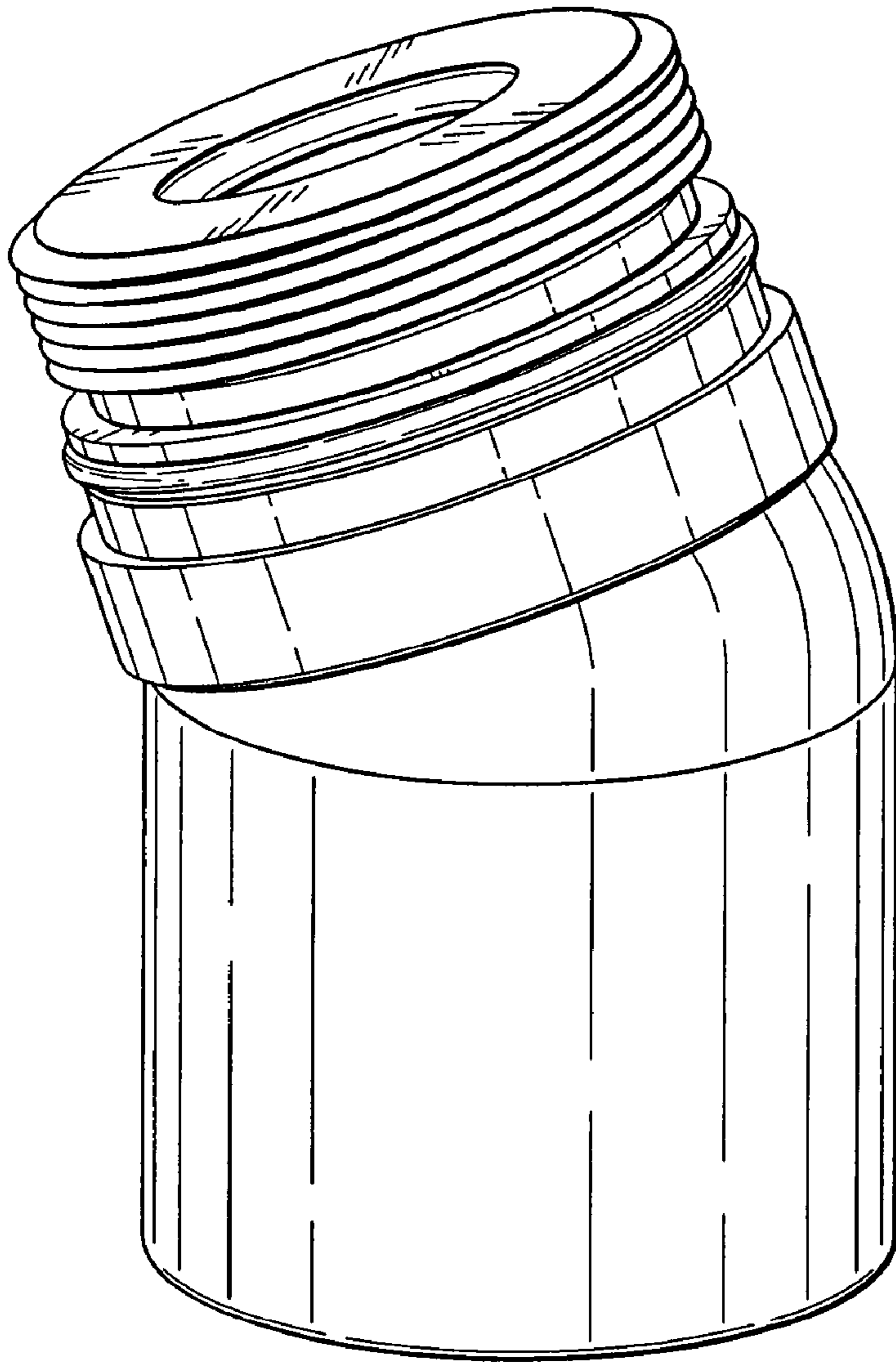


FIG. 4