



US00D638918S

(12) **United States Design Patent**
Grether

(10) **Patent No.:** **US D638,918 S**

(45) **Date of Patent:** **** May 31, 2011**

(54) **SWIVEL ADAPTER FOR FAUCETS**

(75) Inventor: **Hermann Grether**, Müllheim (DE)

(73) Assignee: **NEOPERL GmbH**, Mullheim (DE)

(**) Term: **14 Years**

(21) Appl. No.: **29/291,910**

(22) Filed: **Sep. 19, 2007**

(30) **Foreign Application Priority Data**

Mar. 20, 2007 (EM) 000691530
Aug. 8, 2007 (EM) 000771423

(51) **LOC (9) Cl.** **23-01**

(52) **U.S. Cl.** **D23/263**

(58) **Field of Classification Search** D23/223,
D23/229, 259-269; D8/396, 397; 24/279;
285/251-253; 411/372, 910; 239/459, 602
See application file for complete search history.

(56) **References Cited**

U.S. PATENT DOCUMENTS

1,762,713 A * 6/1930 Dill 52/440
1,946,832 A 2/1934 Brandon
2,201,065 A 5/1940 Toolan
3,210,040 A 10/1965 Thurlow
3,226,096 A 12/1965 Ranson
3,638,968 A 2/1972 Barks
D361,371 S * 8/1995 McQuillan D23/259
7,051,763 B2 5/2006 Heren
D538,404 S * 3/2007 Campbell D23/264
D541,375 S 4/2007 Buttgen

D550,333 S * 9/2007 Bamberger et al. D23/259
D556,856 S 12/2007 Buttgen
D563,530 S * 3/2008 Moris D23/264
7,398,954 B2 7/2008 Heren et al.
D613,370 S 4/2010 Allard et al.
D614,270 S 4/2010 Green et al.
D616,969 S 6/2010 Zore
2004/0199995 A1 10/2004 Bui
2005/0241706 A1 11/2005 Heren
2006/0017037 A1 1/2006 Heren et al.
2006/0180681 A1 8/2006 Lau
2009/0090661 A1 4/2009 Tanner et al.
2009/0263184 A1 10/2009 Riedel et al.

* cited by examiner

Primary Examiner — T. Chase Nelson

Assistant Examiner — Eric L Goodman

(74) *Attorney, Agent, or Firm* — Volpe and Koenig, P.C.

(57) **CLAIM**

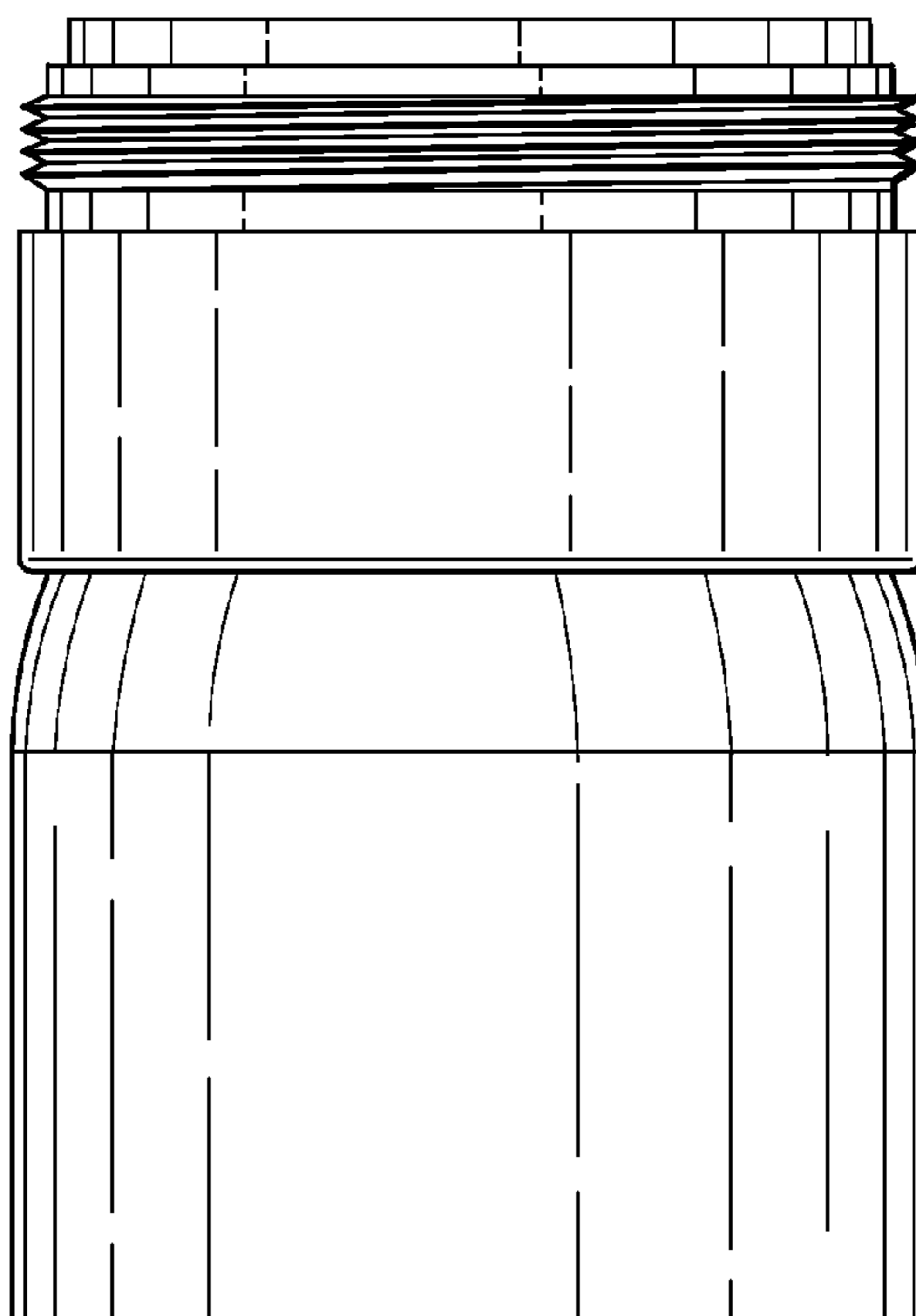
The ornamental design for a swivel adapter for faucets, as shown and described.

DESCRIPTION

FIG. 1 is a front elevational view of a swivel adapter for faucets in an un-swiveled position showing my new design, which is also representative of a rear elevational view, a left-side elevational view, and a right-side elevational view; FIG. 2 is a bottom plan view thereof; FIG. 3 is a top plan view thereof; and, FIG. 4 is a top perspective view thereof, showing the adapter in a swiveled position.

The broken lines in the drawings depict environmental subject matter only and form no part of the claimed design.

1 Claim, 3 Drawing Sheets



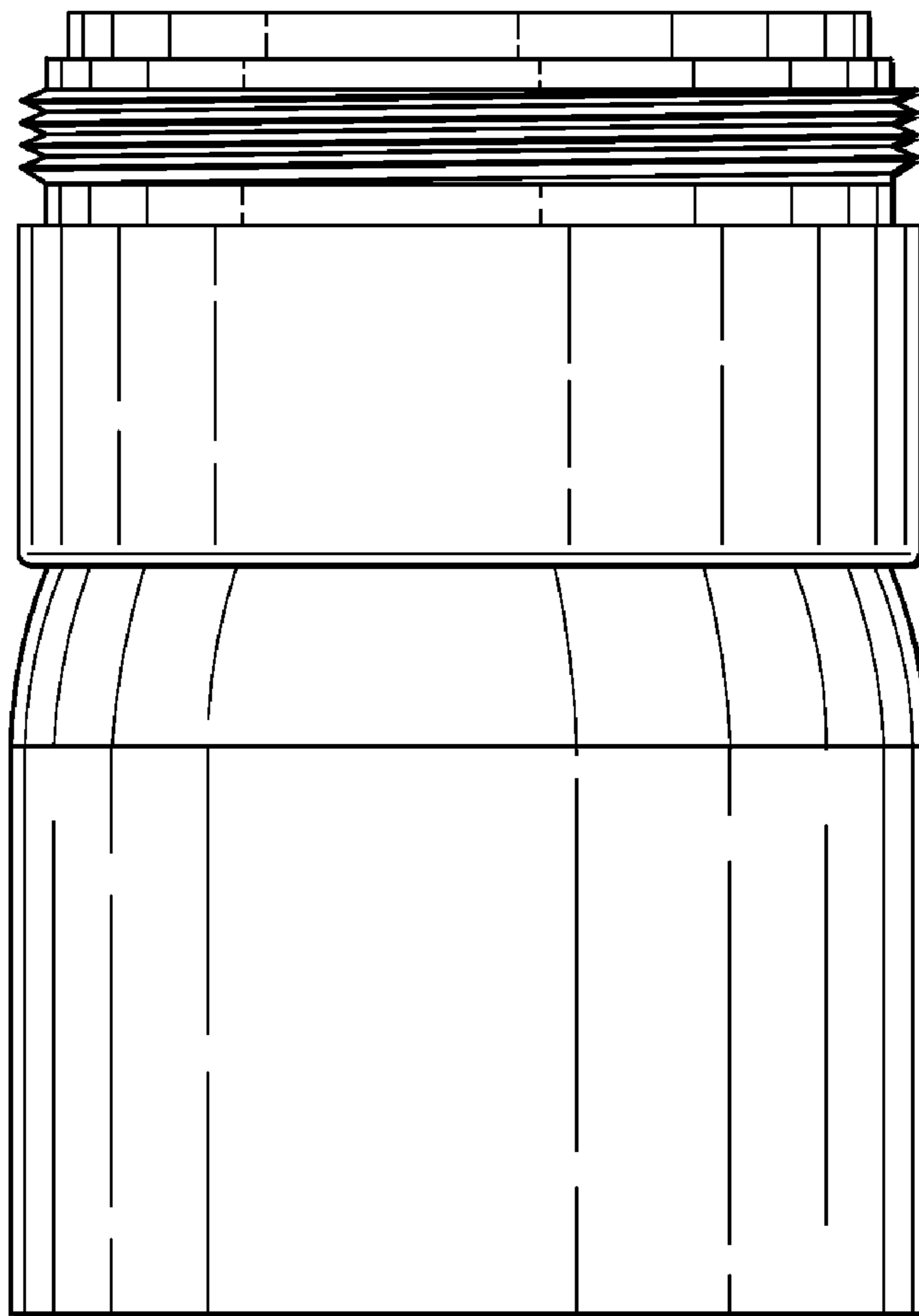


FIG. 1

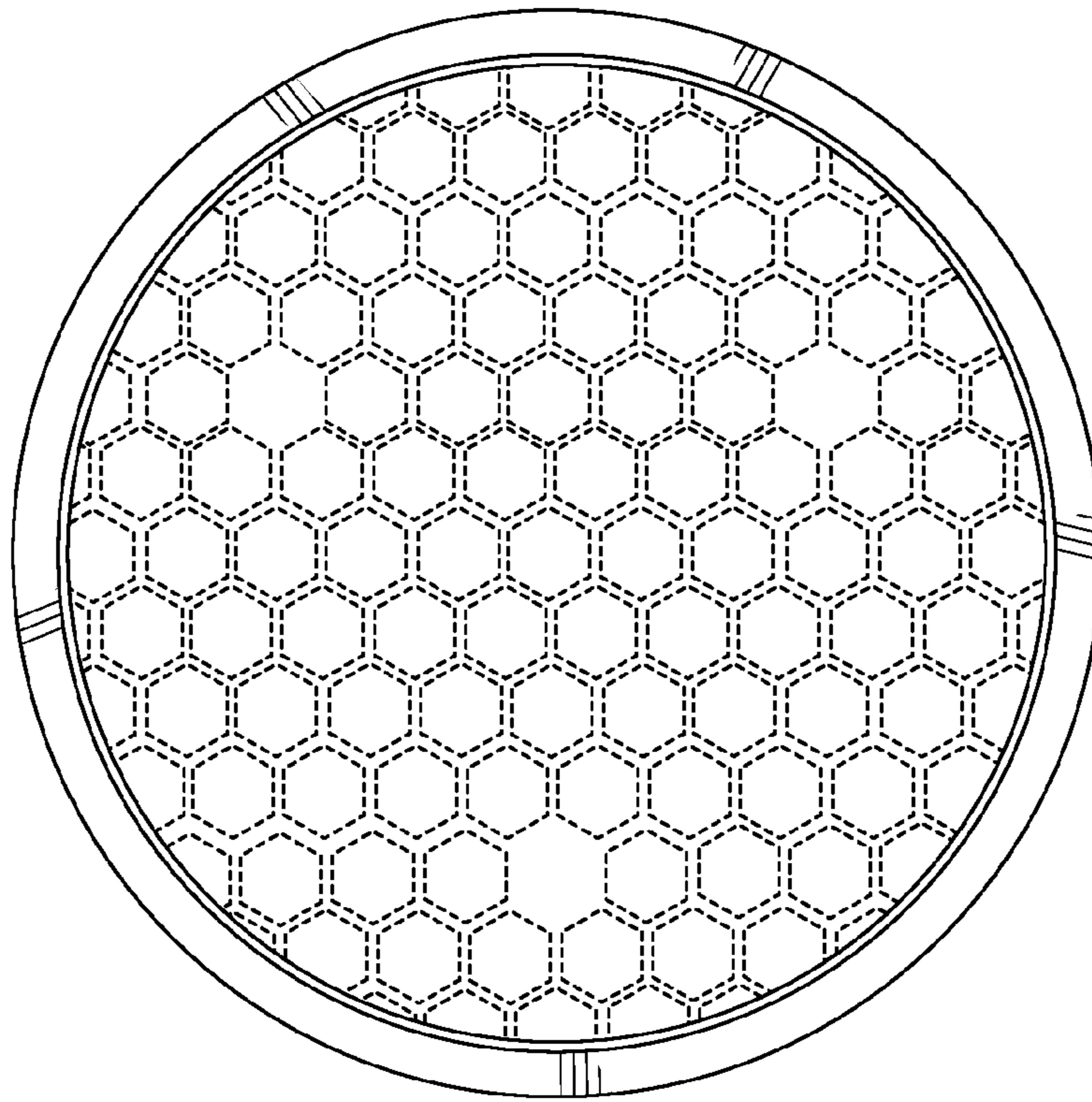


FIG. 2

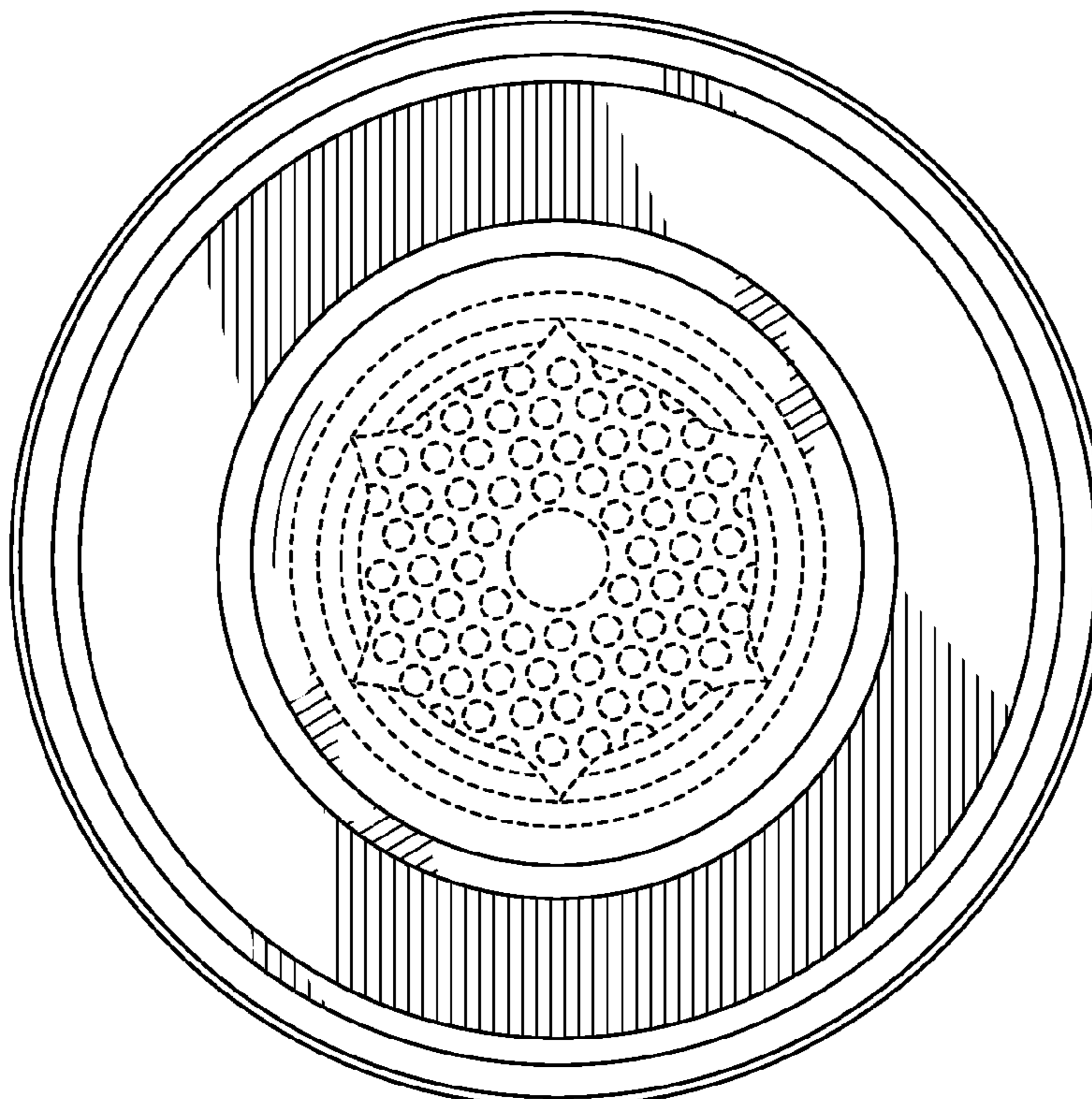


FIG. 3

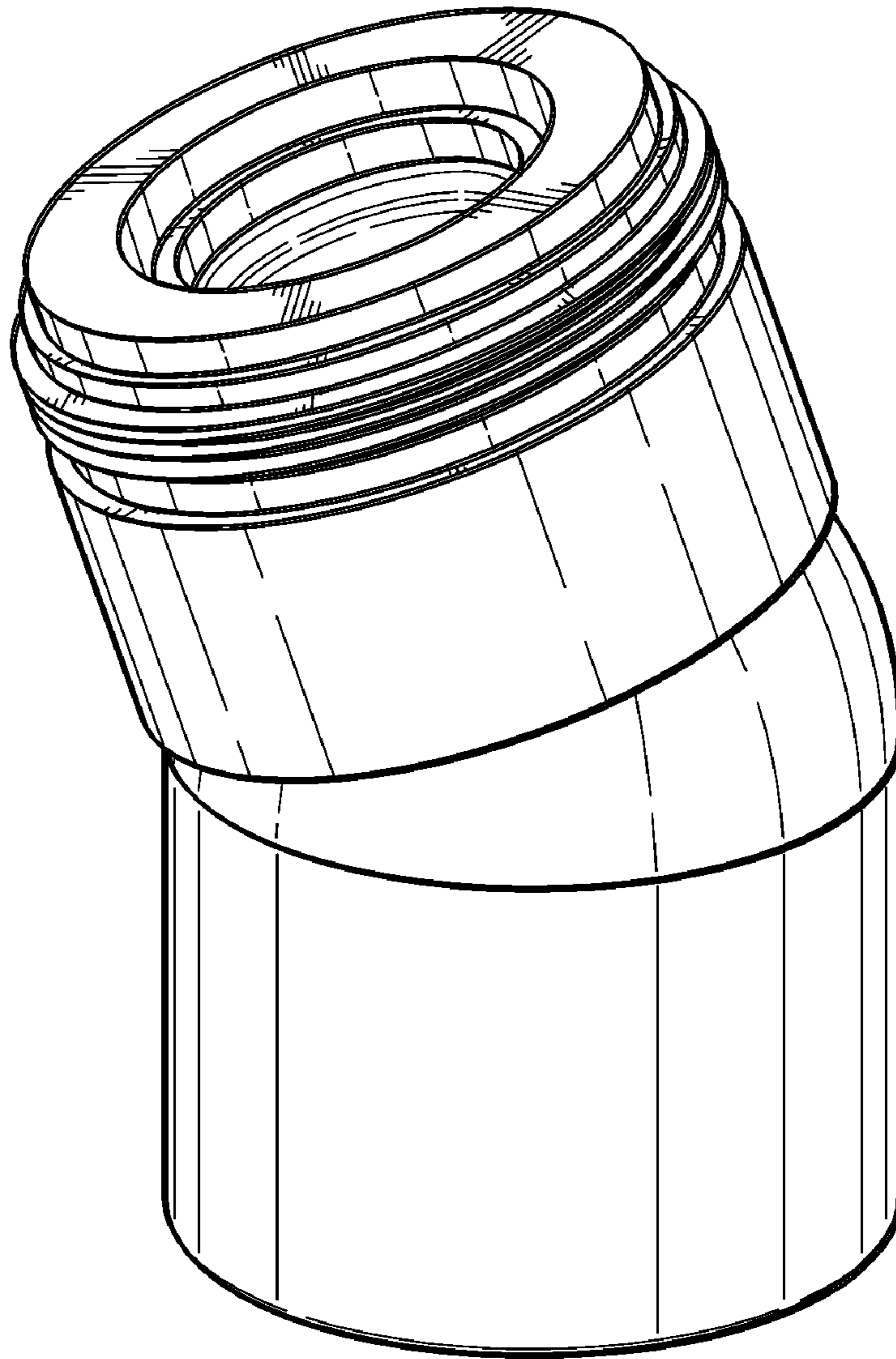


FIG. 4