



US00D638917S

(12) **United States Design Patent**  
**Chen et al.**

(10) **Patent No.:** **US D638,917 S**

(45) **Date of Patent:** **\*\* May 31, 2011**

(54) **UNIVERSAL FLAPPER**

(75) Inventors: **Yibin Chen**, Xaimen (CN); **Baojia Huang**, Xaimen (CN); **Yuzhi Liu**, Xaimen (CN)

(73) Assignee: **WDI International, Inc.**, Irvine, CA (US)

(\*\*) Term: **14 Years**

(21) Appl. No.: **29/364,352**

(22) Filed: **Jun. 22, 2010**

(51) **LOC (9) Cl.** ..... **23-01**

(52) **U.S. Cl.** ..... **D23/260**

(58) **Field of Classification Search** ..... D23/233–237, D23/243–249, 259–265; 4/392–393, 403–404  
See application file for complete search history.

(56) **References Cited**

U.S. PATENT DOCUMENTS

2,756,437	A *	7/1956	Svabek, Jr. et al. ....	4/392
2,992,806	A *	7/1961	Kanter et al. ....	251/64
3,935,598	A *	2/1976	Schmidt .....	4/393
3,969,775	A *	7/1976	Haselton .....	4/325
4,419,773	A *	12/1983	Sullivan .....	4/392
4,455,694	A *	6/1984	Dymon .....	4/325
4,497,076	A *	2/1985	Sullivan .....	4/392

D284,264	S *	6/1986	Resan .....	D8/382
D299,522	S *	1/1989	Chalberg .....	D23/261
D321,749	S *	11/1991	Wesolowsky .....	D23/236
D466,198	S *	11/2002	Mullings .....	D23/261
D517,175	S *	3/2006	Holsen .....	D23/261
D576,713	S *	9/2008	Mullis .....	D23/260
D607,541	S *	1/2010	German et al. ....	D23/249
2001/0044951	A1 *	11/2001	Higgins .....	4/393
2003/0200601	A1 *	10/2003	Little .....	4/393
2004/0237182	A1 *	12/2004	Shih .....	4/404
2009/0144888	A1 *	6/2009	Han .....	4/393

\* cited by examiner

*Primary Examiner* — T. Chase Nelson

*Assistant Examiner* — Eric L Goodman

(74) *Attorney, Agent, or Firm* — Walter A. Hackler

(57) **CLAIM**

The ornamental design for a universal flapper, as shown and described.

**DESCRIPTION**

FIG. 1 is a bottom view of a universal flapper showing our new design;

FIG. 2 is a side plan view of the present invention;

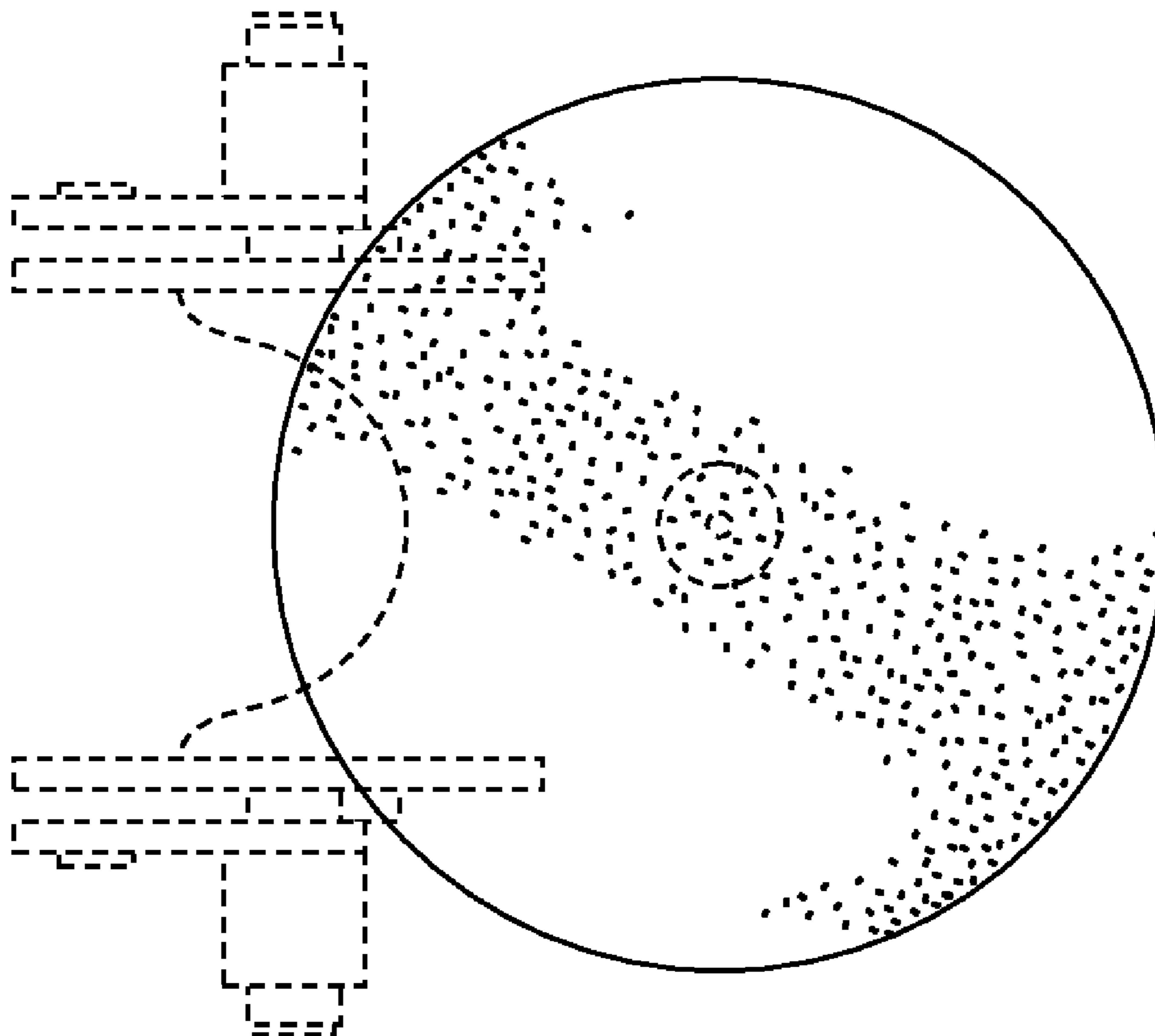
FIG. 3 is a top view of the present invention;

FIG. 4 is a front elevation view of the present invention; and,

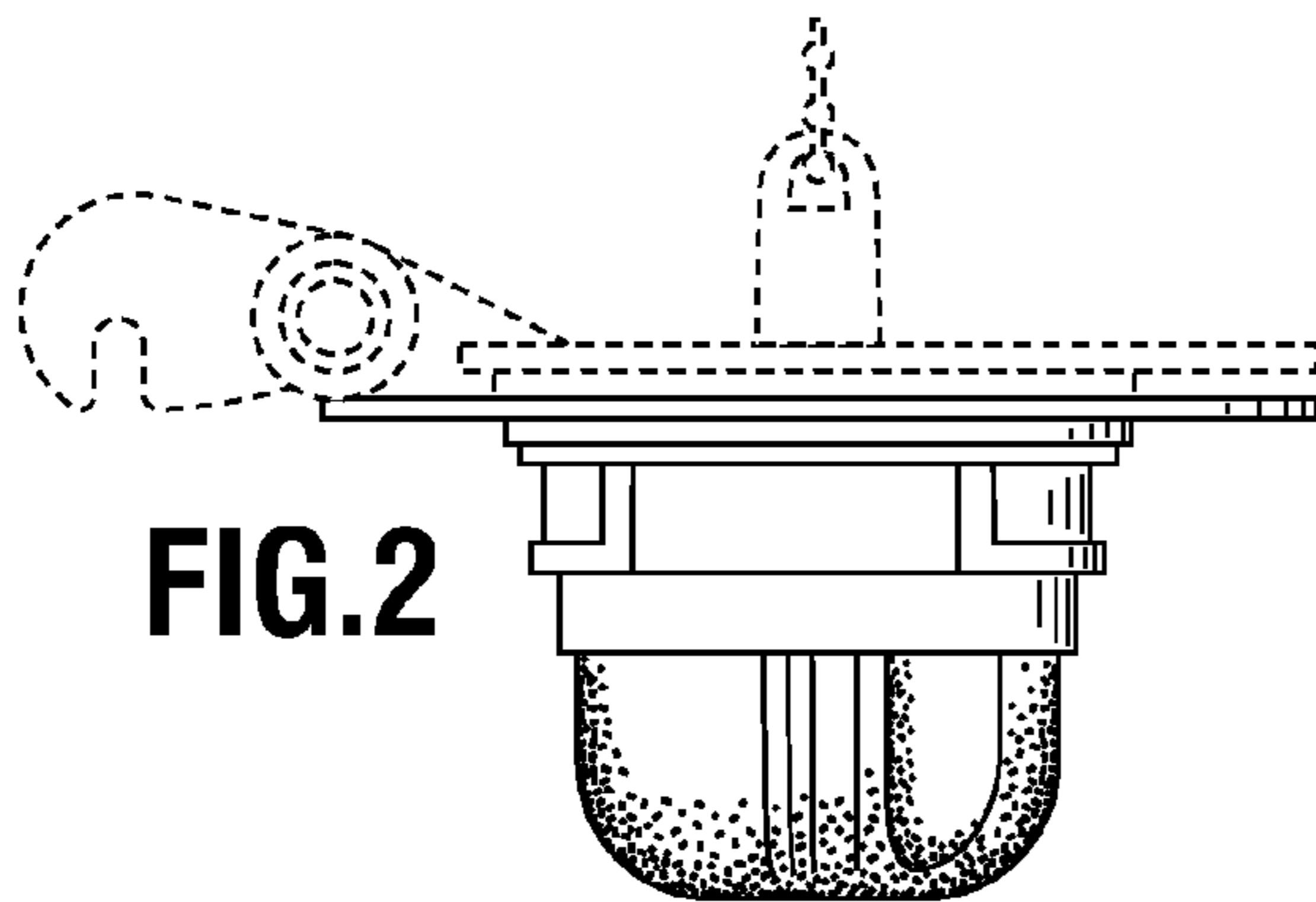
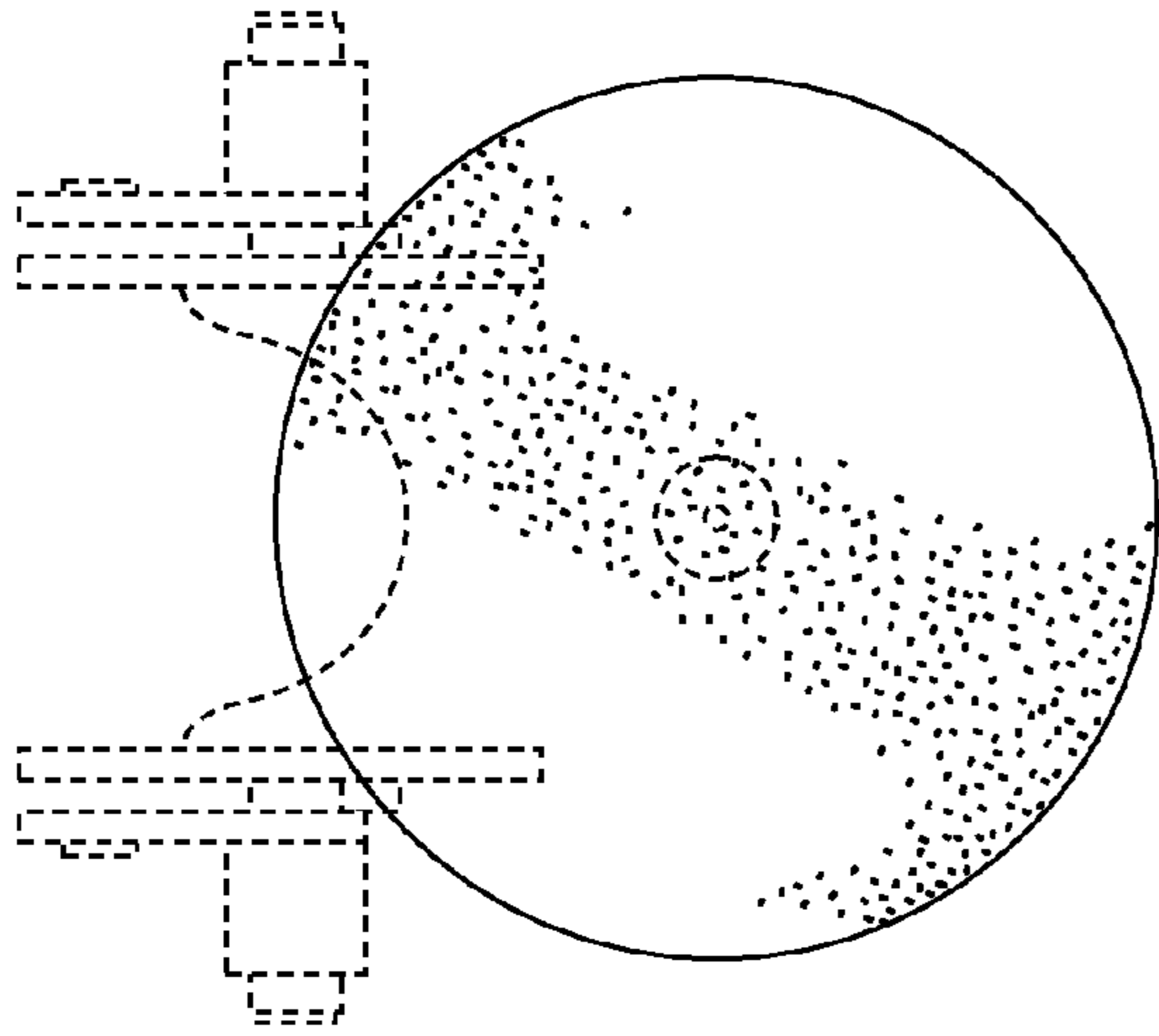
FIG. 5 is a rear elevation view of the present invention.

Dashed lines indicate structure not presently claimed.

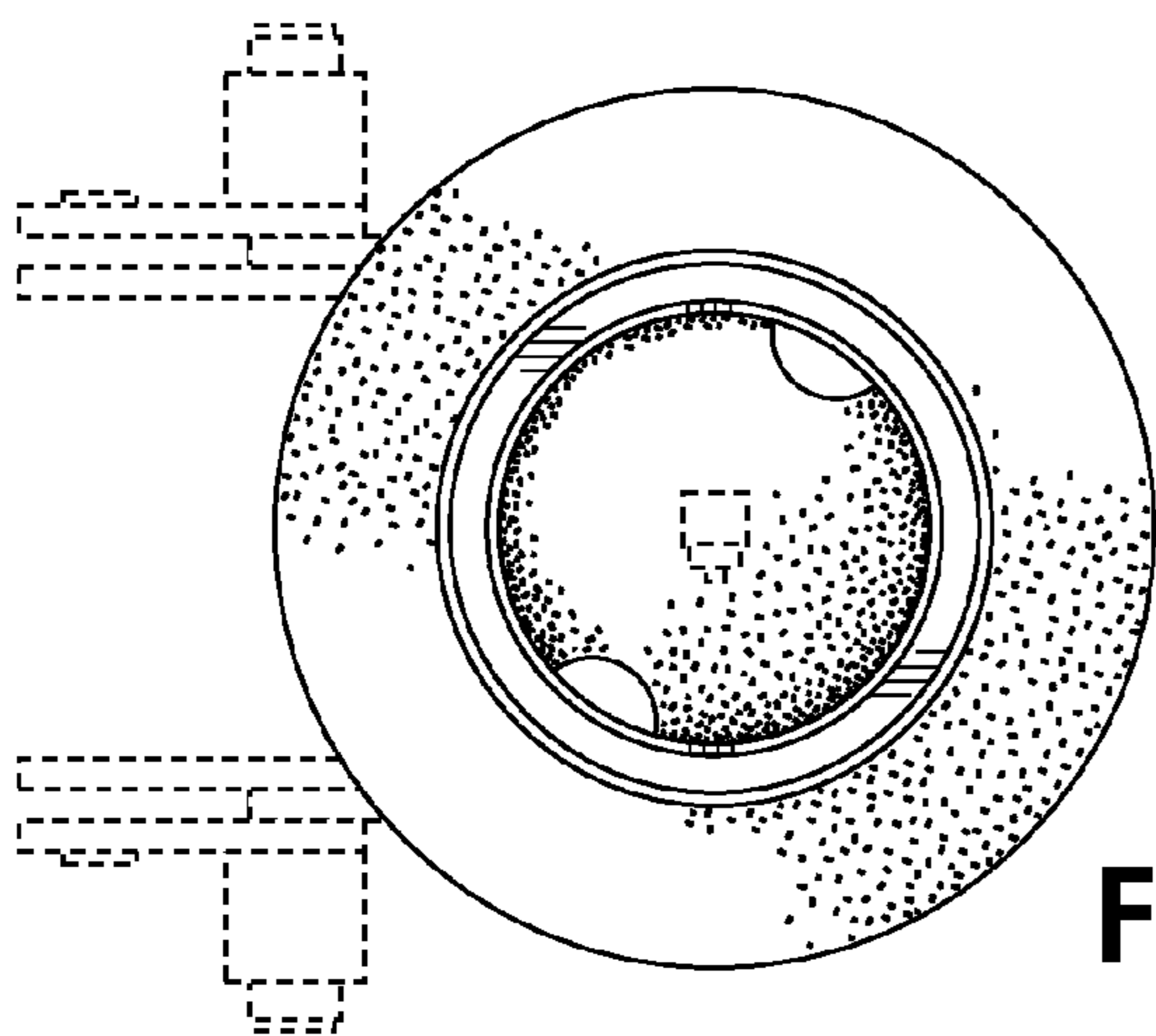
**1 Claim, 1 Drawing Sheet**



**FIG.1**

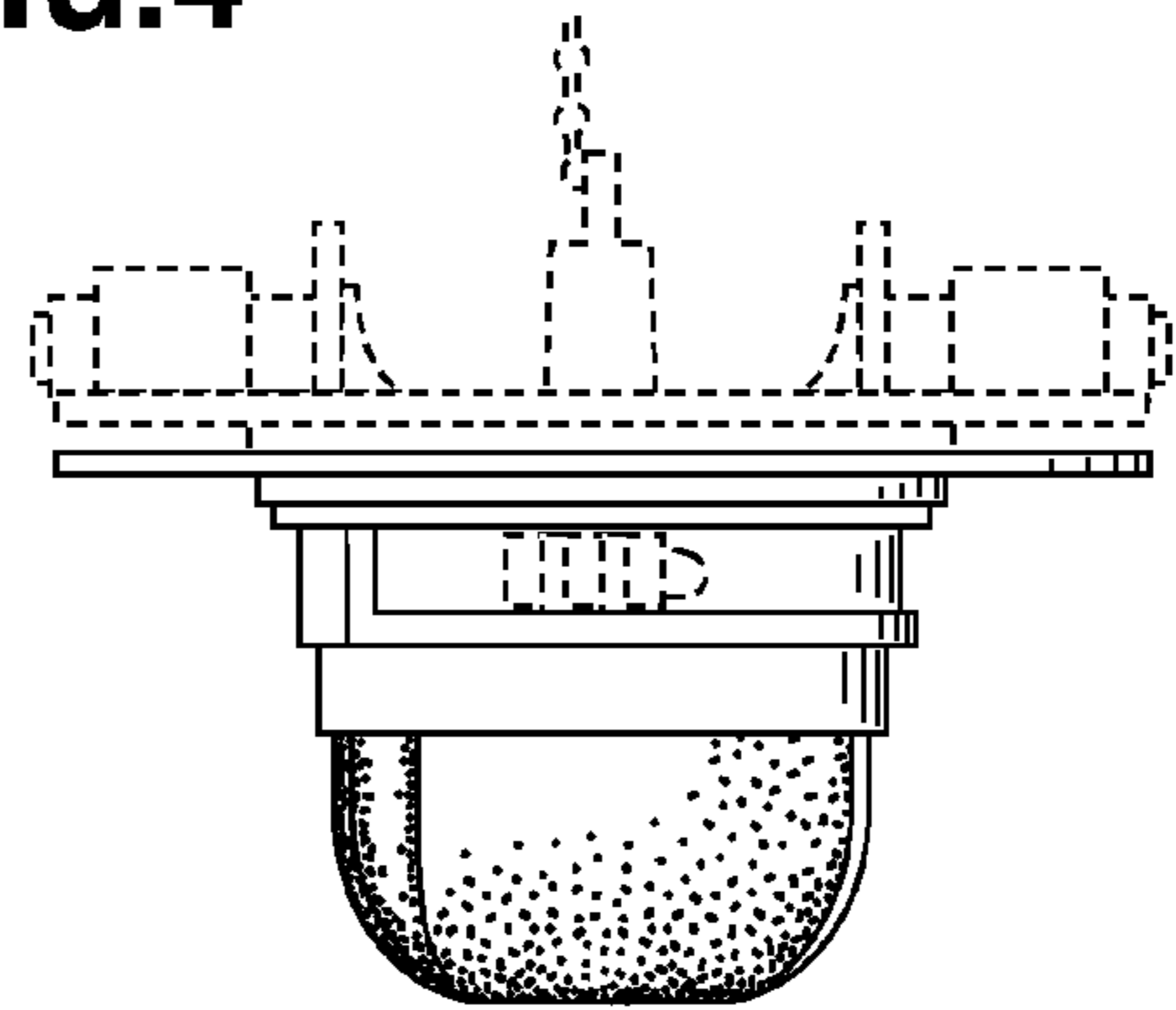


**FIG.2**



**FIG.3**

**FIG.4**



**FIG.5**

