



US00D638916S

(12) **United States Design Patent**
Ishikawa et al.

(10) **Patent No.:** **US D638,916 S**

(45) **Date of Patent:** **** May 31, 2011**

(54) **SPOUT**

(75) Inventors: **Masafumi Ishikawa**, Fukuoka (JP);
Mitsuya Obara, Fukuoka (JP)

(73) Assignee: **Toto Ltd.**, Kitakyushu-Shi (JP)

(**) Term: **14 Years**

(21) Appl. No.: **29/379,632**

(22) Filed: **Nov. 22, 2010**

Related U.S. Application Data

(62) Division of application No. 29/342,370, filed on Aug. 24, 2009, now Pat. No. Des. 631,947.

(30) **Foreign Application Priority Data**

Feb. 25, 2009 (JP) 2009-003915
Feb. 25, 2009 (JP) 2009-003916

(51) **LOC (9) Cl.** **23-01**

(52) **U.S. Cl.** **D23/255**

(58) **Field of Classification Search** D23/238-243,
D23/255-257; 4/676-678; 137/801

See application file for complete search history.

(56) **References Cited**

U.S. PATENT DOCUMENTS

D527,794 S 9/2006 Seiger
D580,016 S 11/2008 Downey
D580,527 S 11/2008 Zhang
D582,525 S 12/2008 Downey
D607,545 S 1/2010 Obara

Primary Examiner — Robert A Delehanty

(74) *Attorney, Agent, or Firm* — Birch, Stewart, Kolasch & Birch, LLP

(57) **CLAIM**

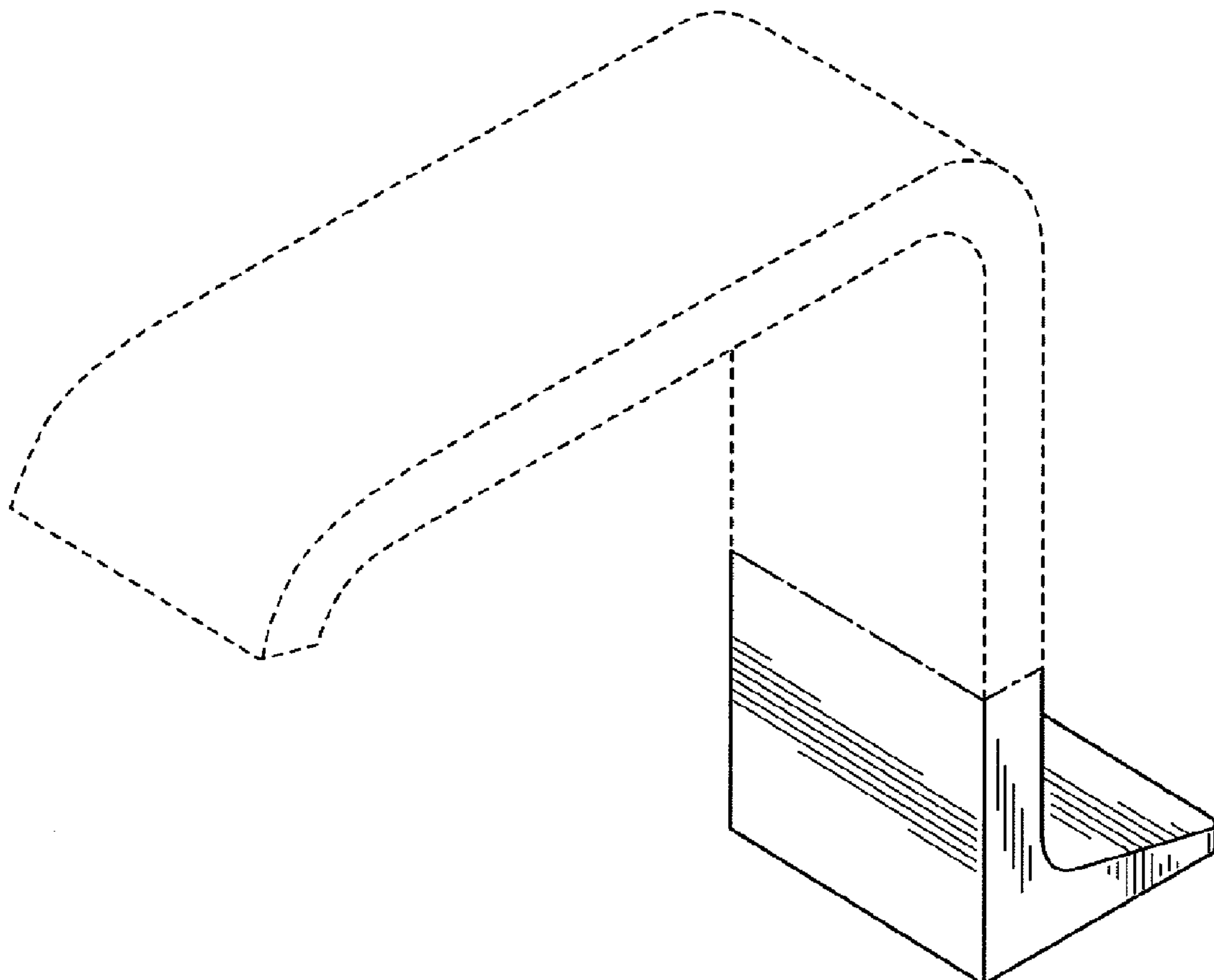
The ornamental design for a spout, as shown and described.

DESCRIPTION

FIG. 1 is a perspective view of the top, front and right side of a spout showing our new design;
FIG. 2 is a front view thereof;
FIG. 3 is a rear view thereof;
FIG. 4 is left side view thereof;
FIG. 5 is a right side view thereof;
FIG. 6 is a top plan view thereof; and,
FIG. 7 is a bottom view thereof.

The portion of the article in broken lines are shown for illustrative purposes only and form no part of the claimed design. Chain line shows the border between the part which is claimed for design registration and the other part.

1 Claim, 3 Drawing Sheets



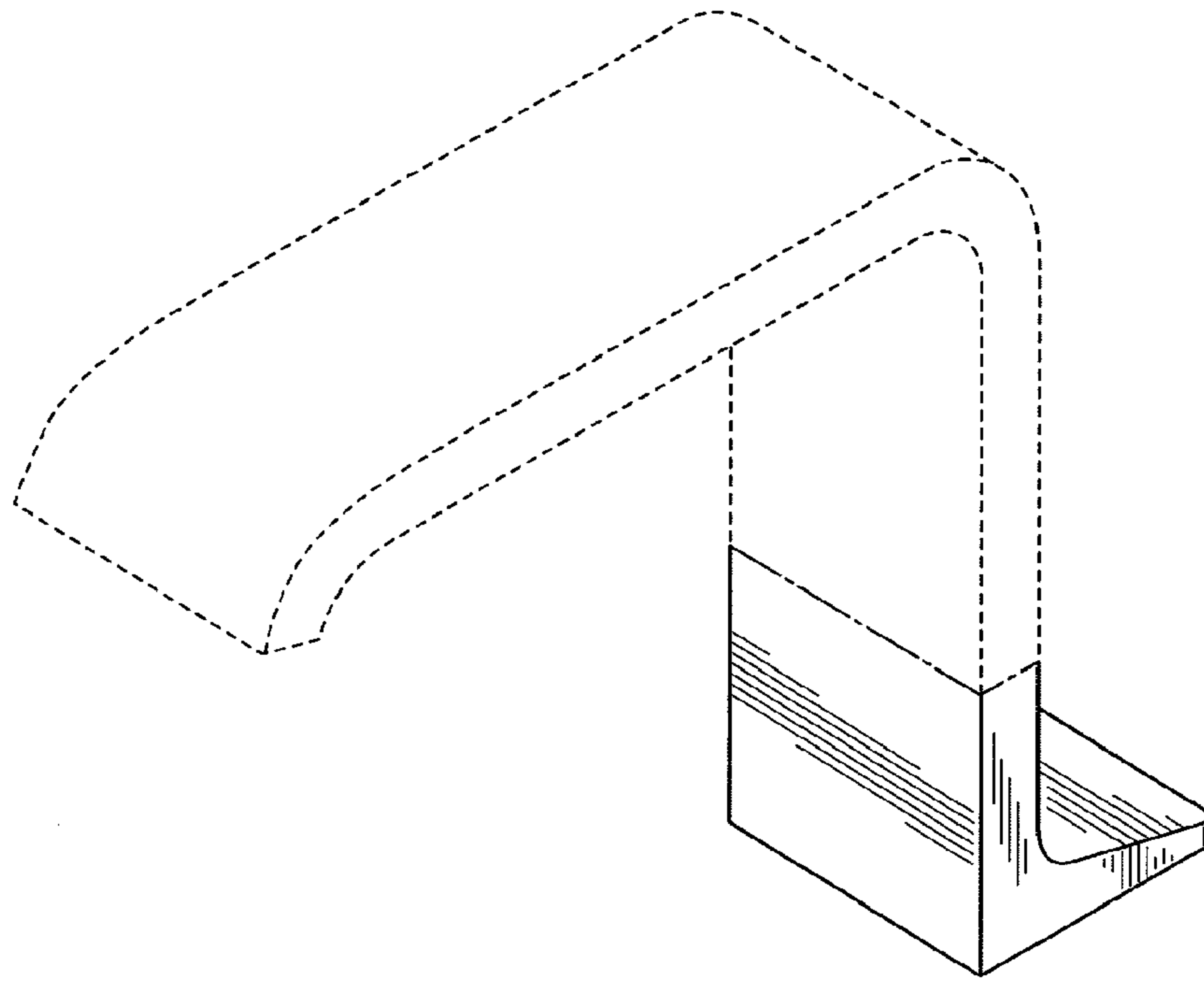


FIG. 1

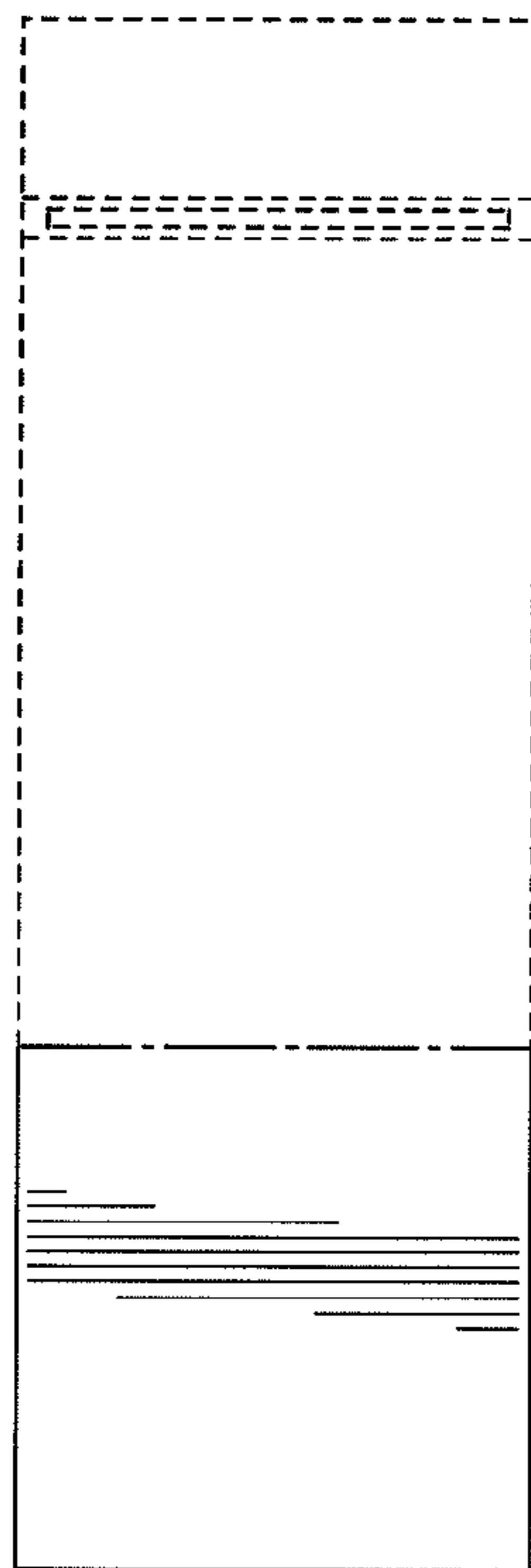


FIG. 2

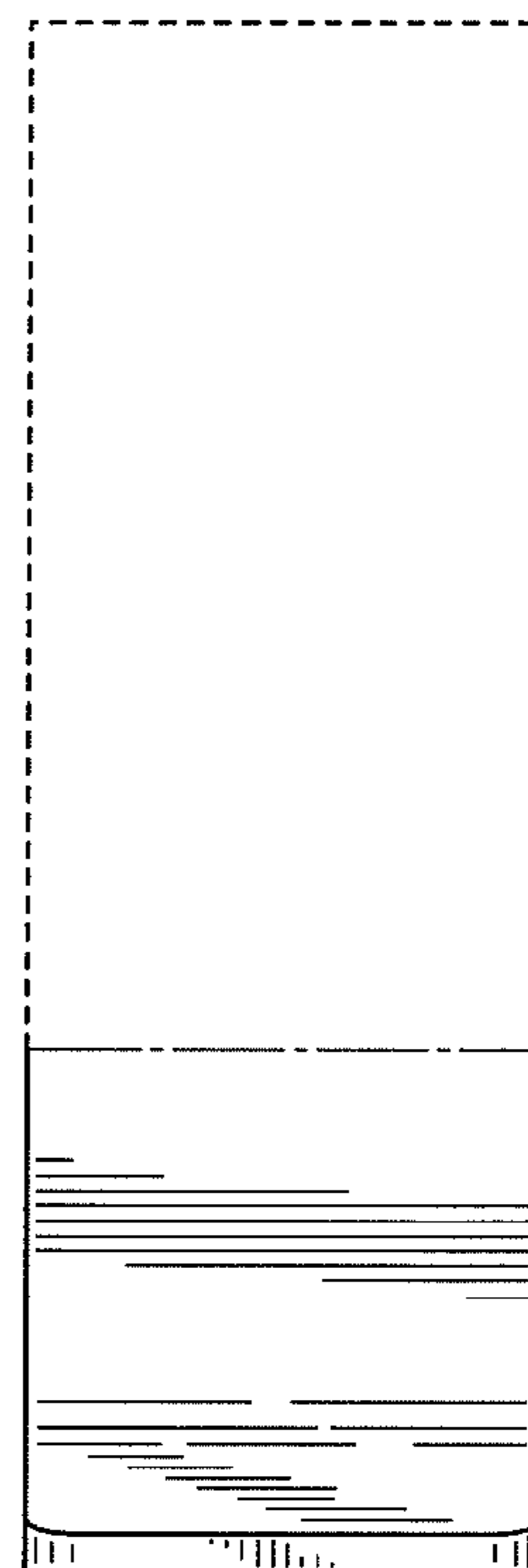


FIG. 3

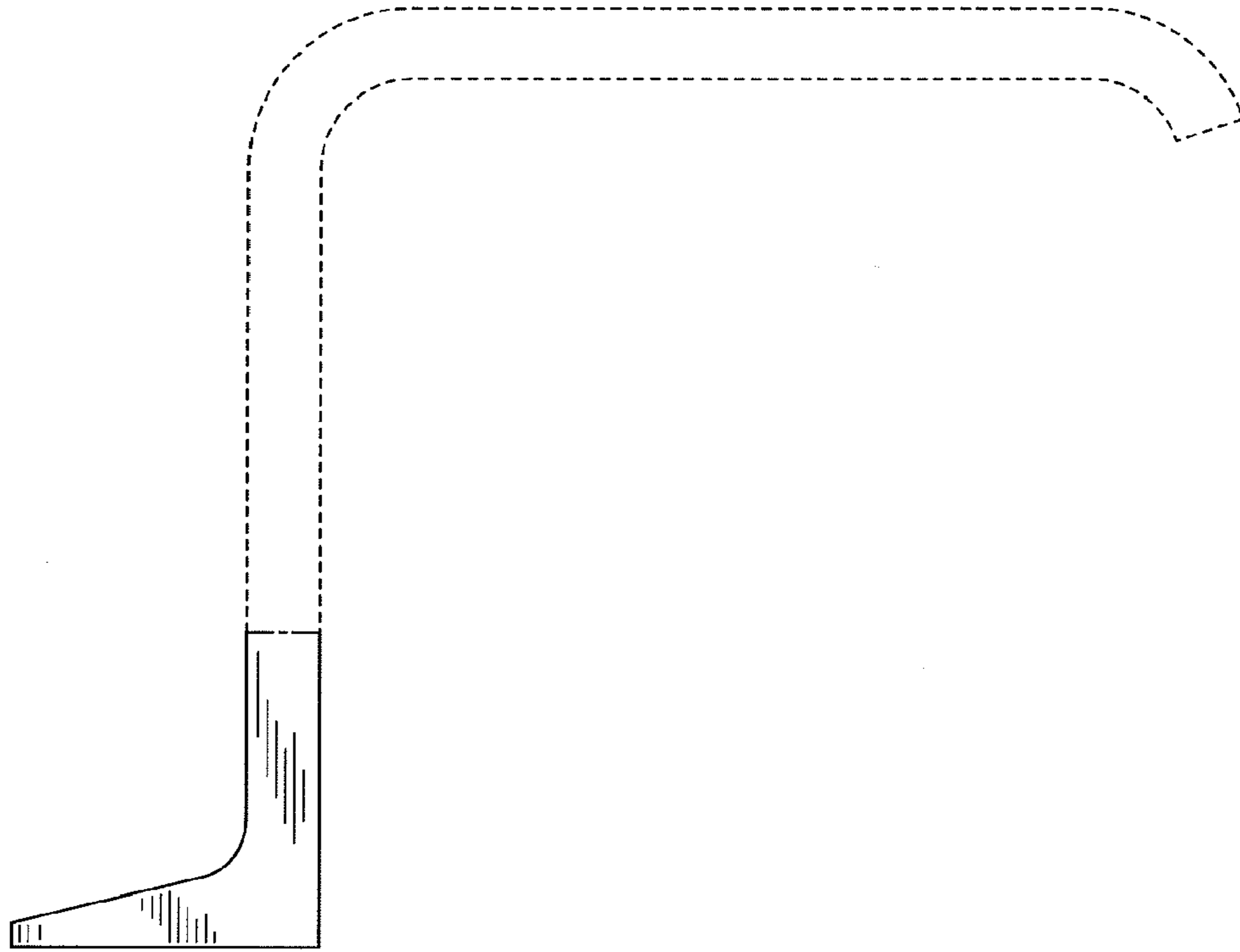


FIG. 4

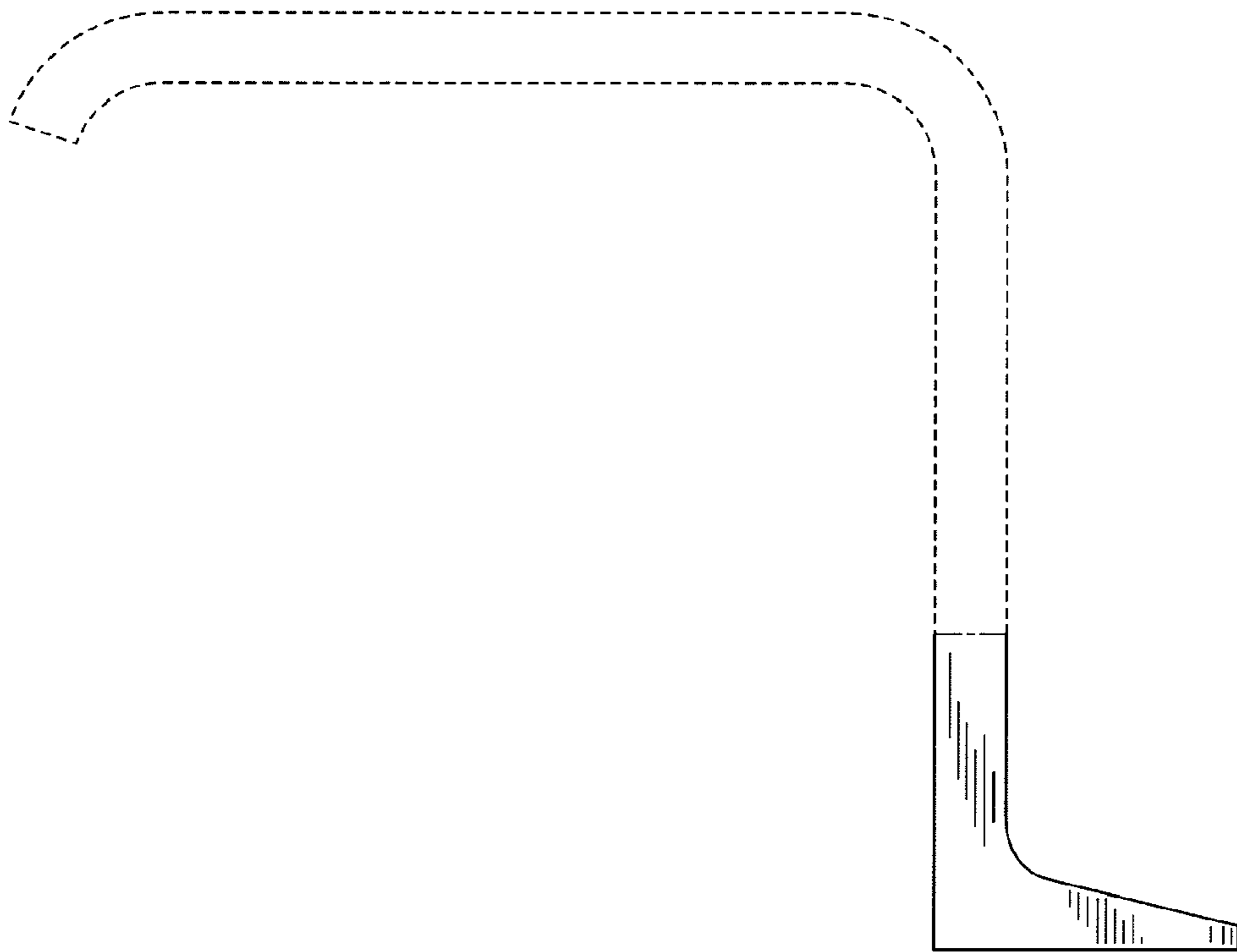


FIG. 5

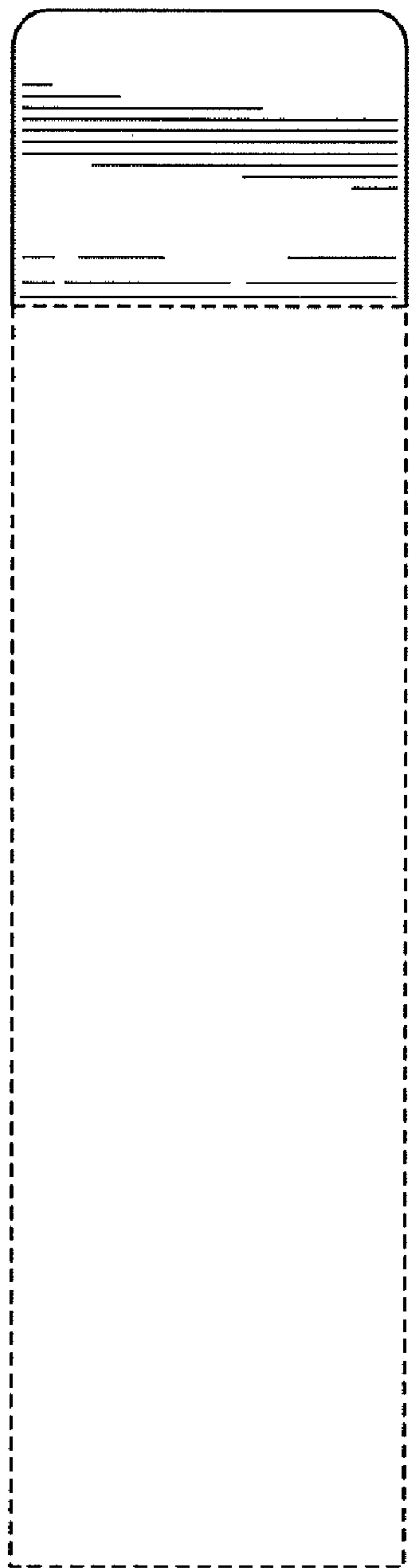


FIG. 6

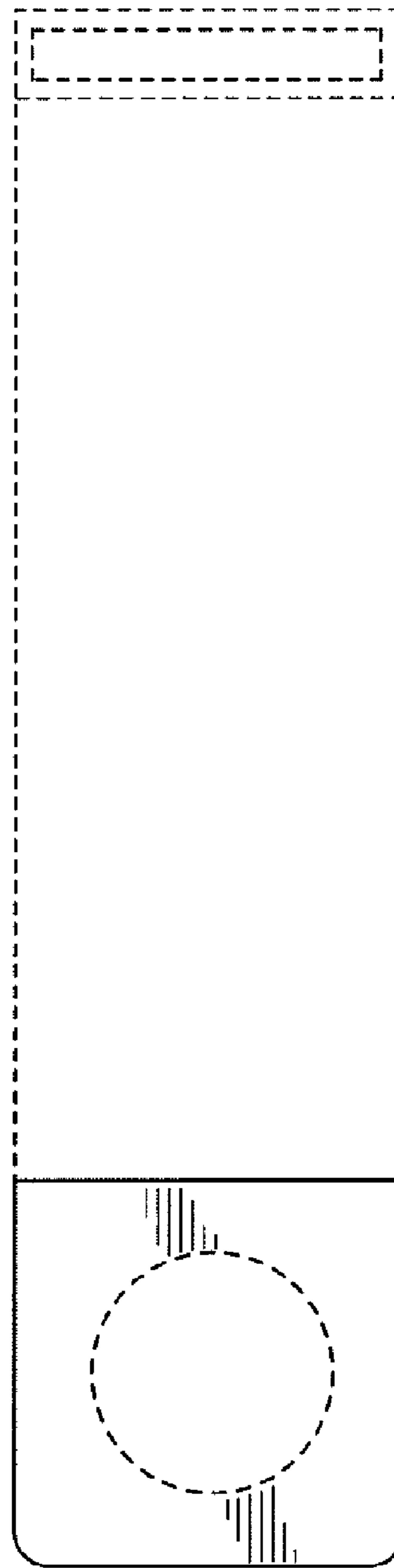


FIG. 7